



US00D625643S

(12) **United States Design Patent**  
**Desser**

(10) **Patent No.:** **US D625,643 S**  
(45) **Date of Patent:** **\*\* Oct. 19, 2010**

(54) **CLASP**

(76) Inventor: **Cynthia Desser**, 1104 Tigertail Rd., Los Angeles, CA (US) 90049

(\*\*) Term: **14 Years**

(21) Appl. No.: **29/354,668**

(22) Filed: **Jan. 27, 2010**

(51) **LOC (9) Cl.** ..... **11-02**

(52) **U.S. Cl.** ..... **D11/87**

(58) **Field of Classification Search** ..... D11/1-2,  
D11/86, 87, 88, 200-201, 206-210, 212-216,  
D11/218; 24/163 R, 169-171, 173, 177-179,  
24/191, 194-195, 197, 200, 303  
See application file for complete search history.

(56) **References Cited**

**U.S. PATENT DOCUMENTS**

D89,278 S *	2/1933	Haas	.....	D11/208
D359,711 S *	6/1995	Bell	.....	D11/218
D475,653 S *	6/2003	Fildan et al.	.....	D11/216
D498,175 S *	11/2004	Ledein	.....	D11/218
D552,003 S *	10/2007	Lecut	.....	D11/3

**OTHER PUBLICATIONS**

[http://www.exoticindiaart.com/jcjewelry/sterling\\_cuff\\_bracelet\\_with\\_screw\\_clasp\\_jvf32.jpg](http://www.exoticindiaart.com/jcjewelry/sterling_cuff_bracelet_with_screw_clasp_jvf32.jpg). Accessed Jun. 3, 2010.\*

\* cited by examiner

*Primary Examiner*—Cathron C Brooks  
*Assistant Examiner*—Melanie Levy

(74) *Attorney, Agent, or Firm*—David A. Belasco; Belasco Jacobs & Townsley, LLP

(57) **CLAIM**

I claim the ornamental design for the clasp, as shown and described.

**DESCRIPTION**

FIG. 1 is a perspective view of my new clasp attached to a bracelet band;

FIG. 2 is a left side elevational view thereof;

FIG. 3 is a top view thereof;

FIG. 4 is a front side elevational view thereof;

FIG. 5 is a back side elevational view thereof;

FIG. 6 is a right side elevational view thereof;

FIG. 7 is a bottom view thereof;

FIG. 8 is a perspective view thereof with the first and second clasp portions separated;

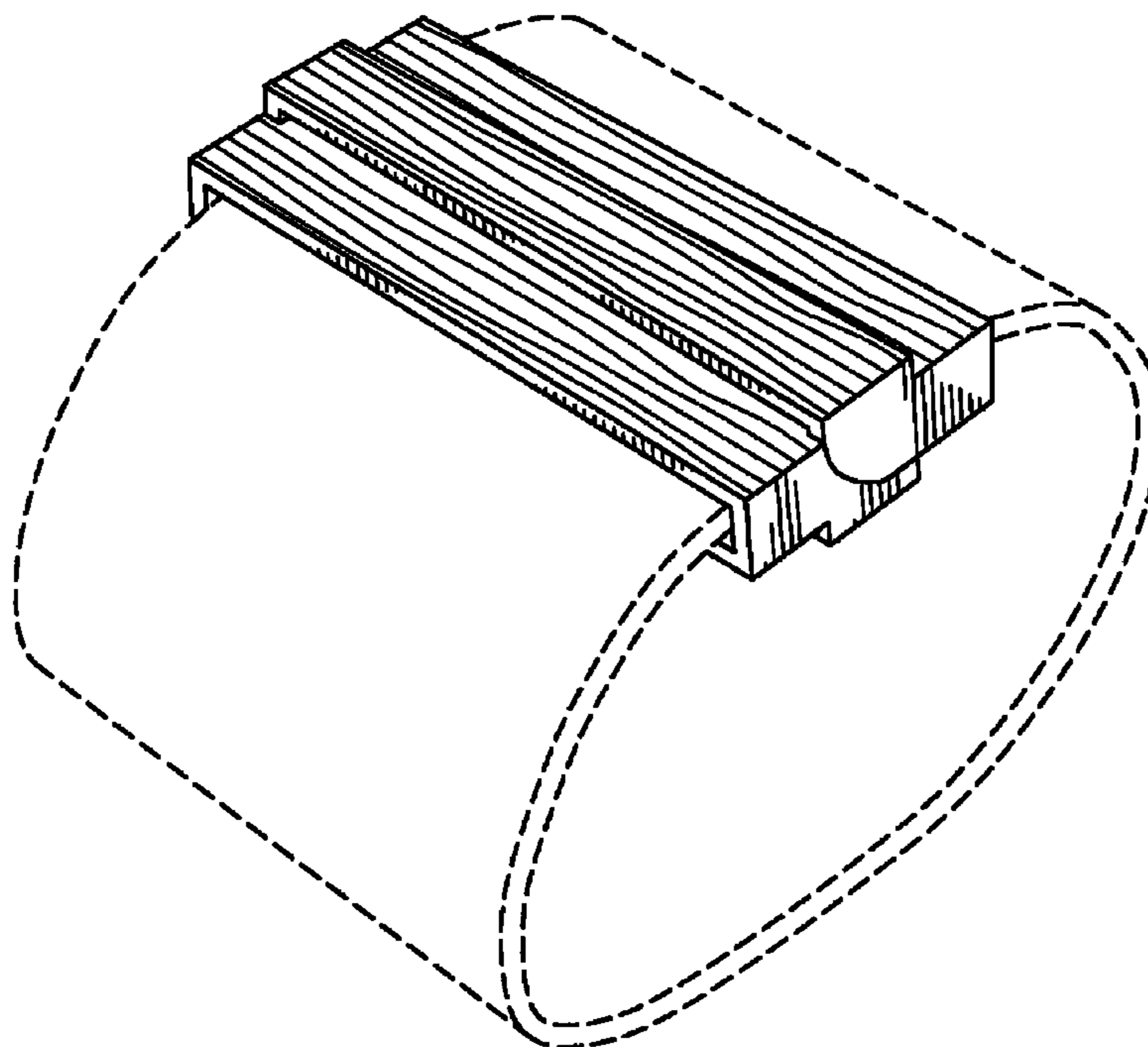
FIG. 9 is a perspective view thereof attached to a backing band;

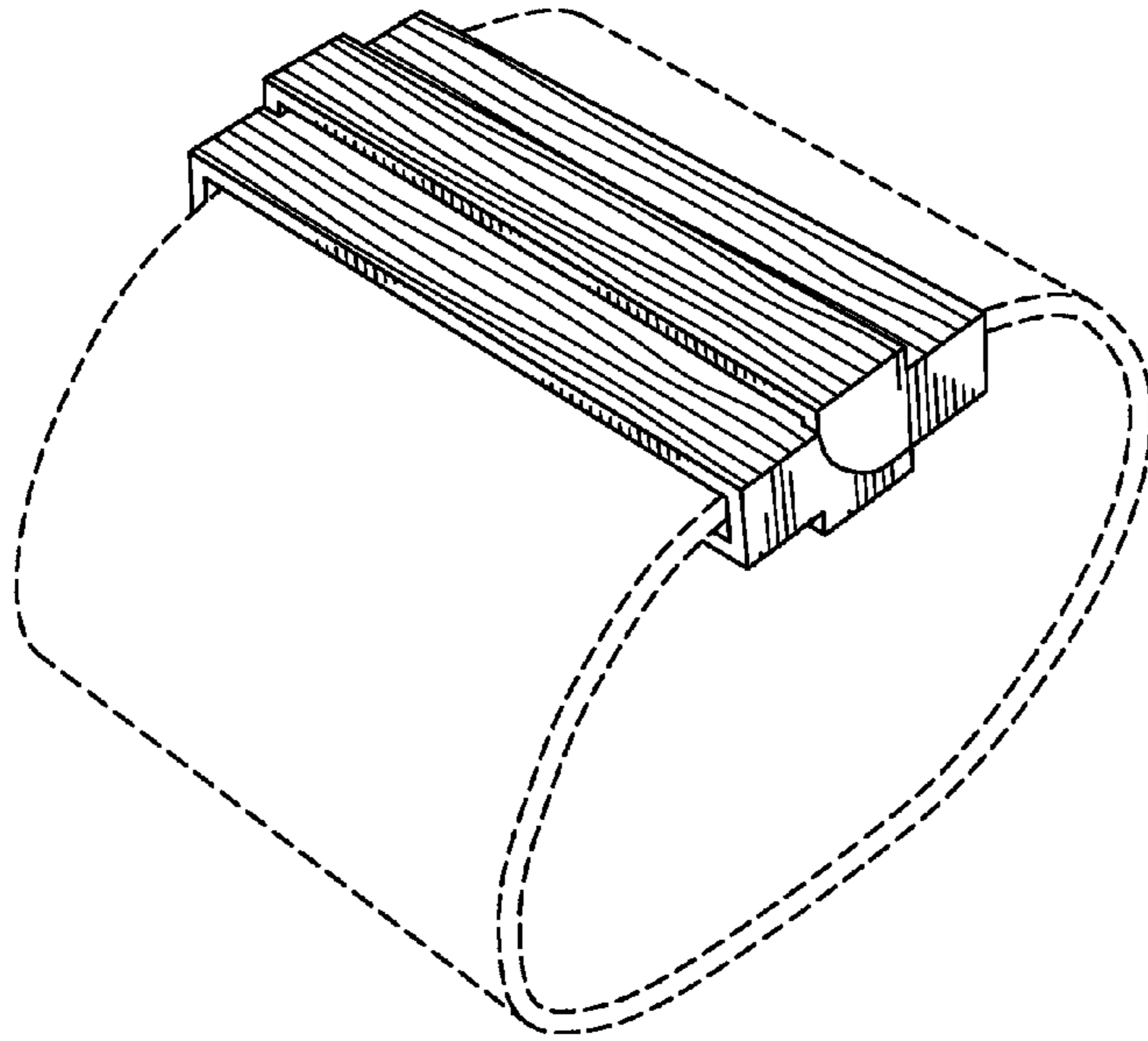
FIG. 10 is a perspective view thereof attached to a backing band with decorative materials attached; and,

FIG. 11 is a perspective view thereof attached to a woven bracelet band.

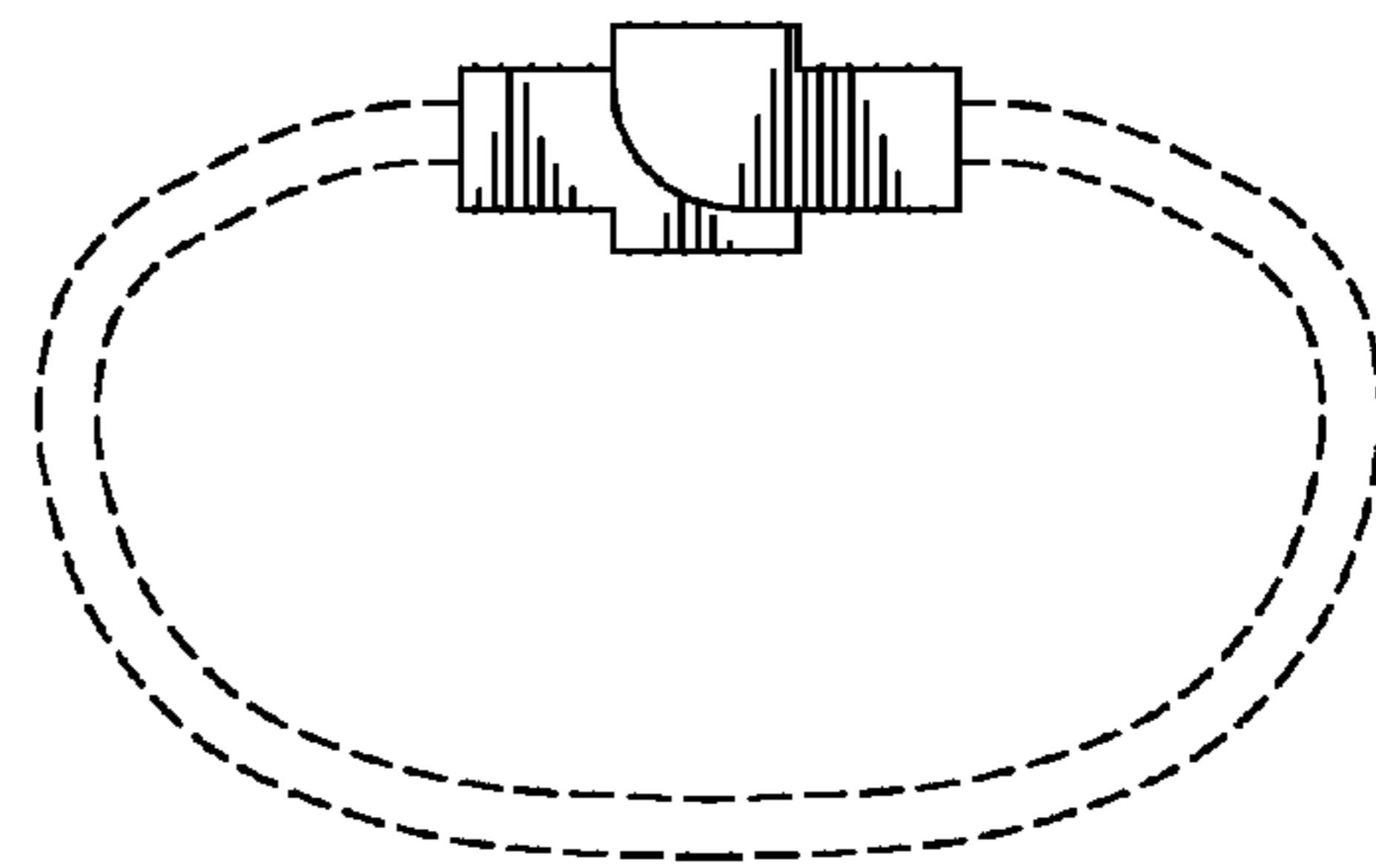
The broken lines shown in the drawings represent unclaimed portions of the design and form no part thereof.

**1 Claim, 4 Drawing Sheets**

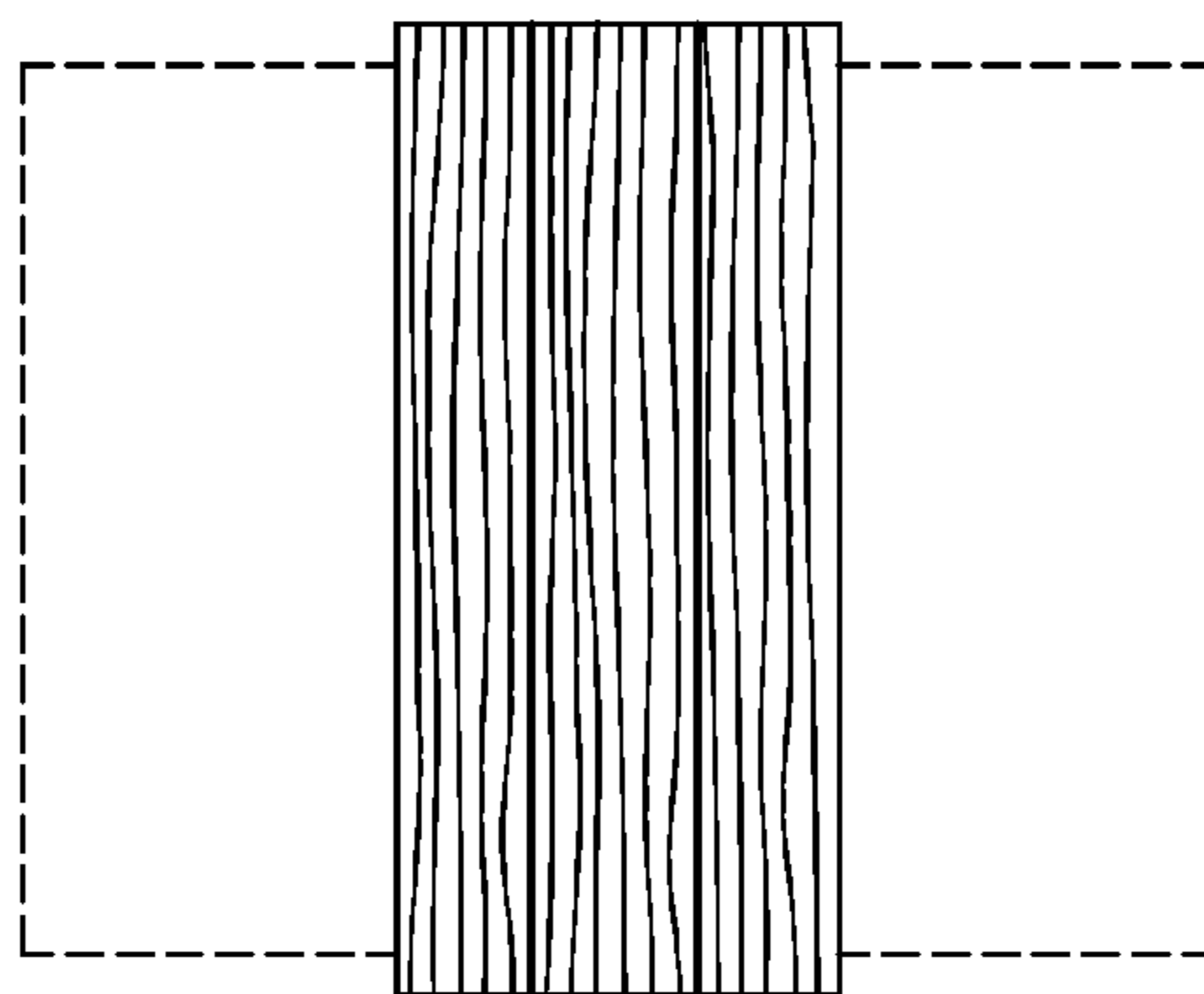




**FIG. 1**



**FIG. 2**

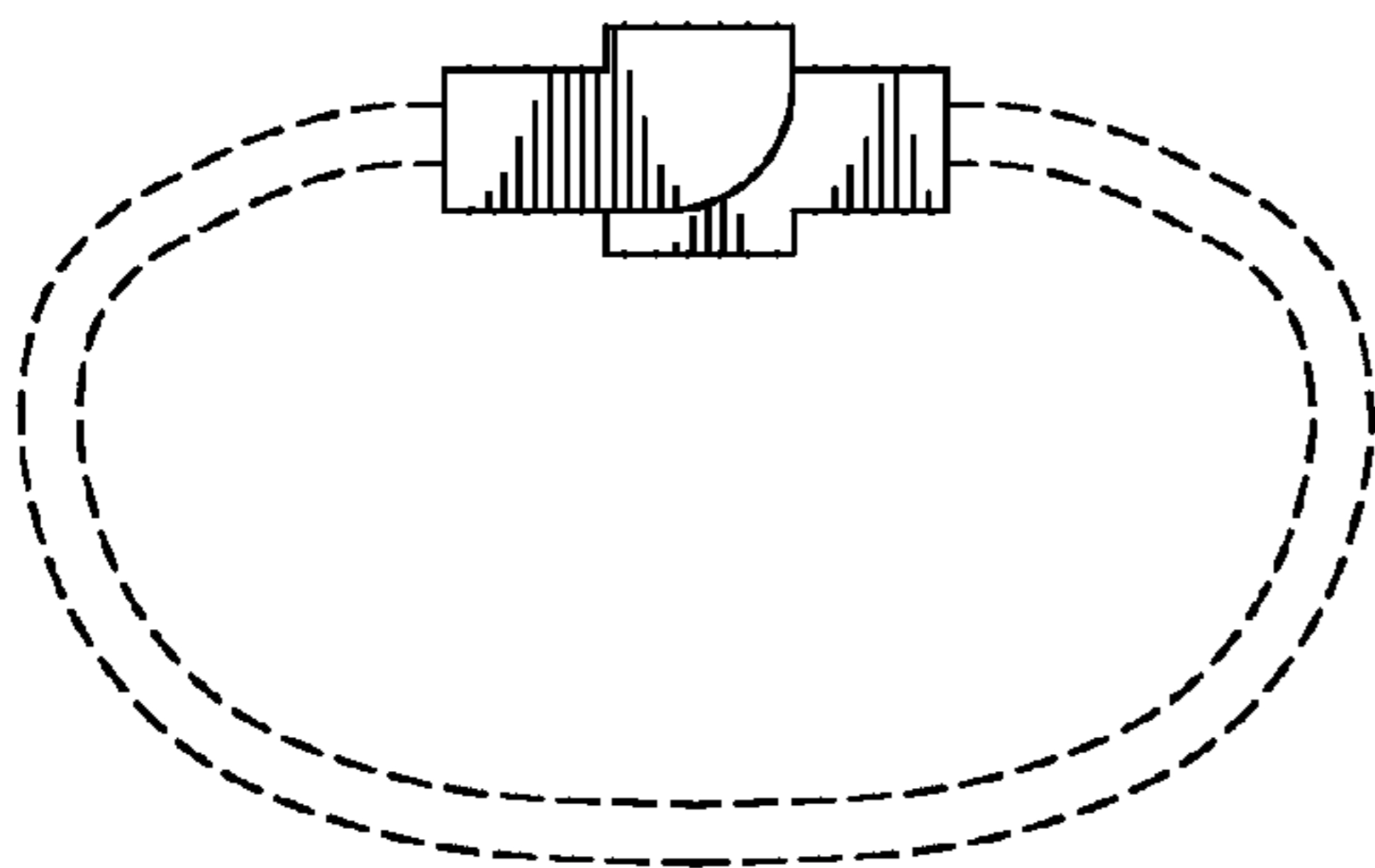


**FIG. 3**



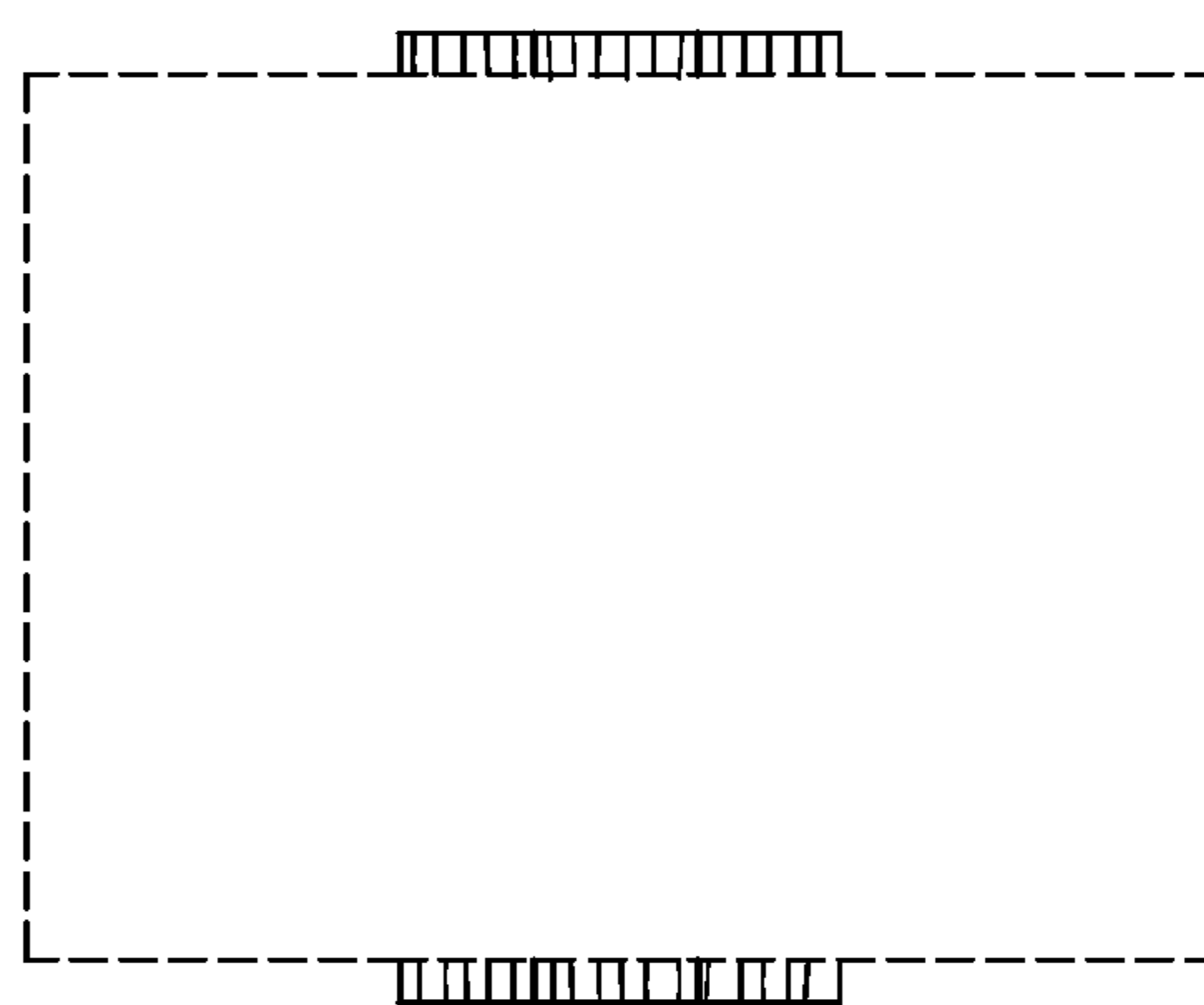
**FIG. 4**

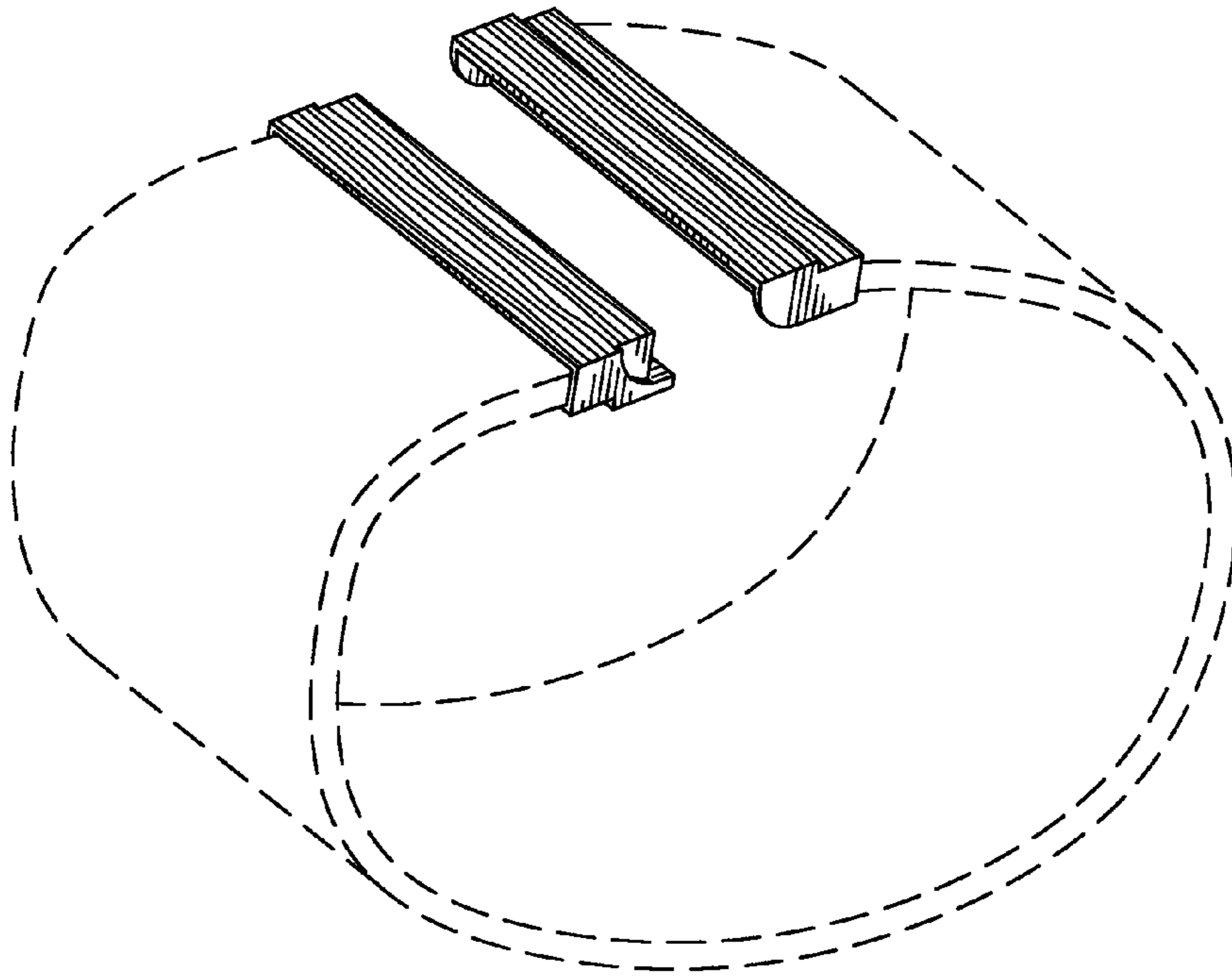
**FIG. 5**



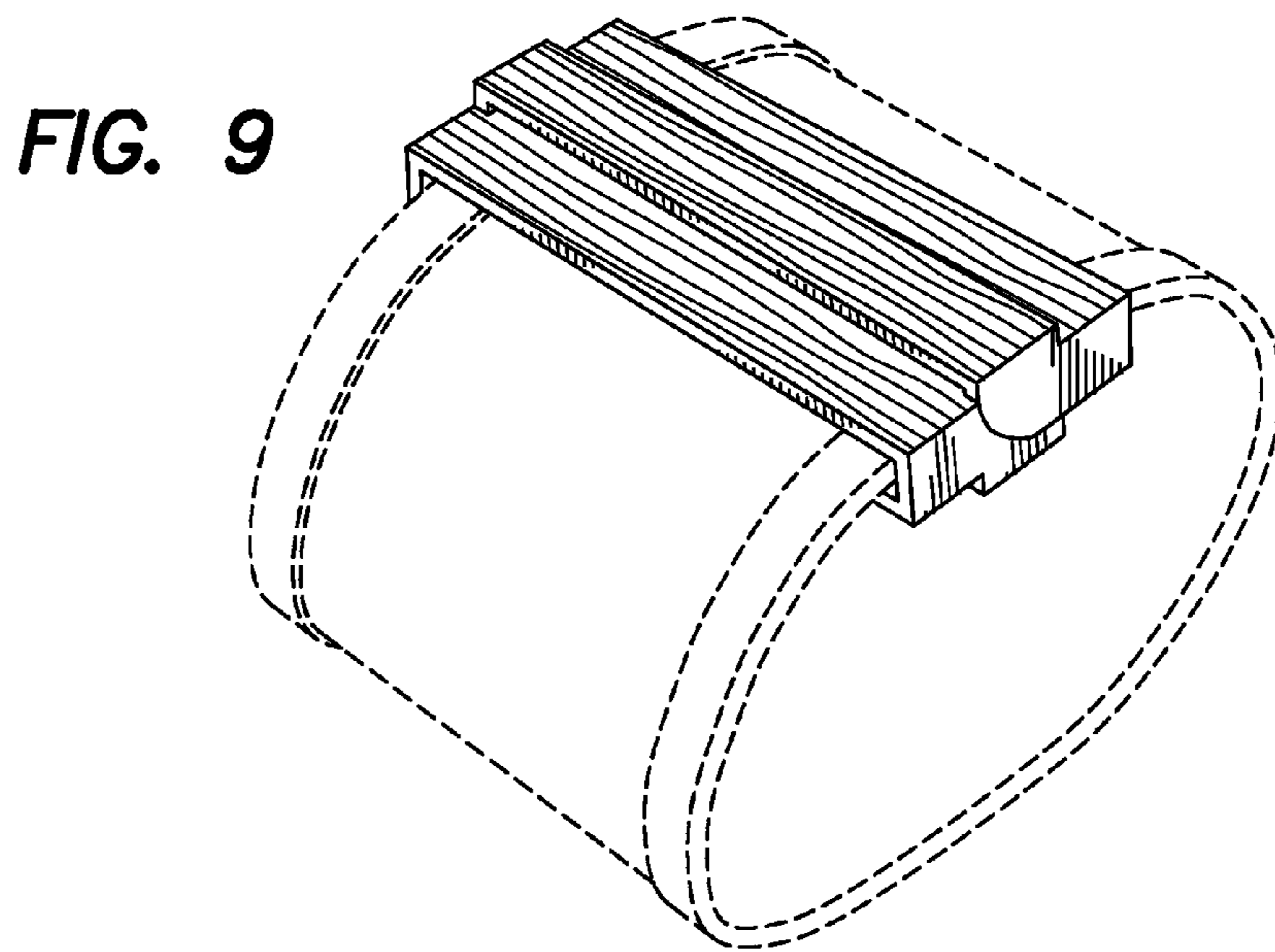
**FIG. 6**

**FIG. 7**

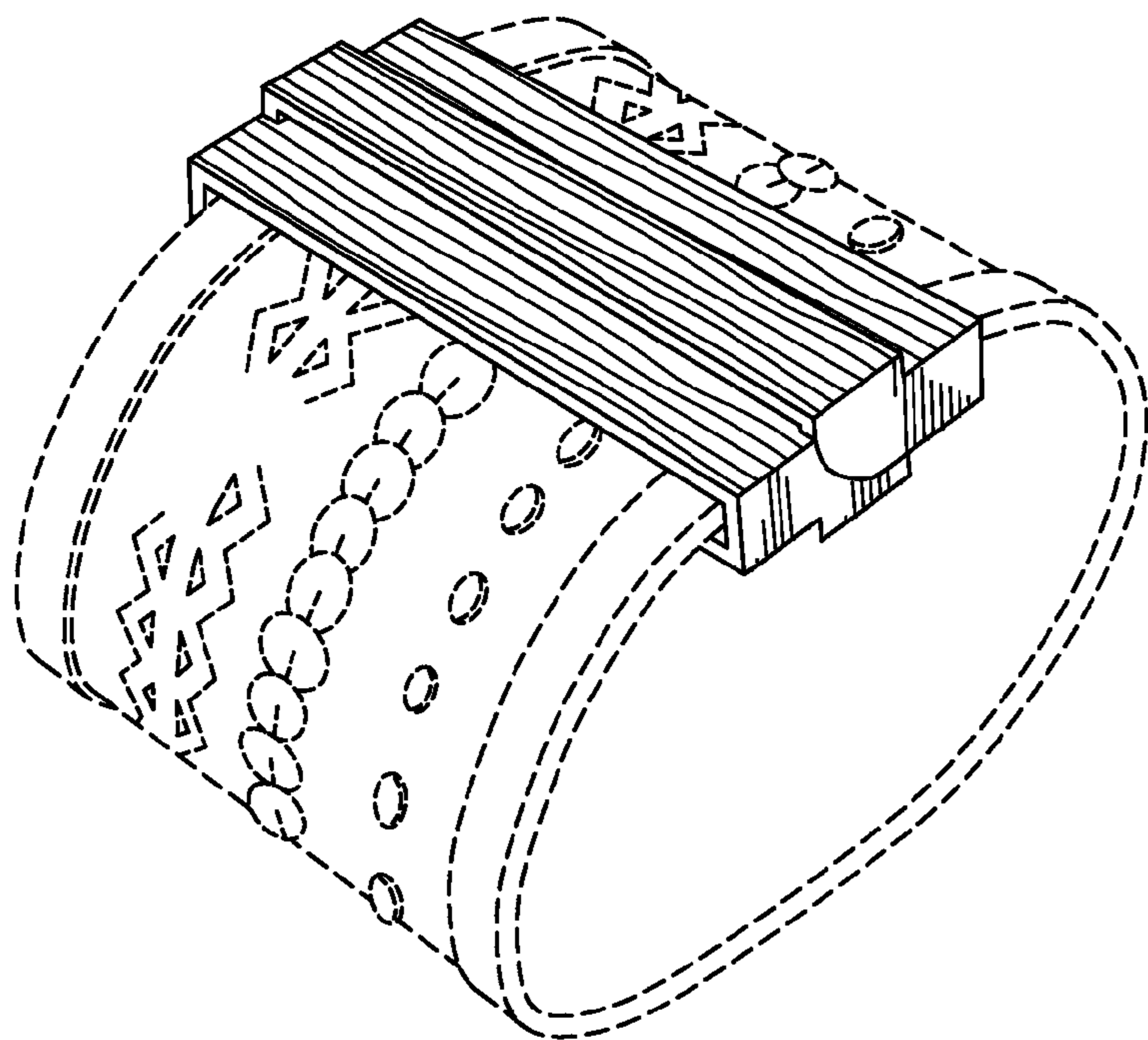




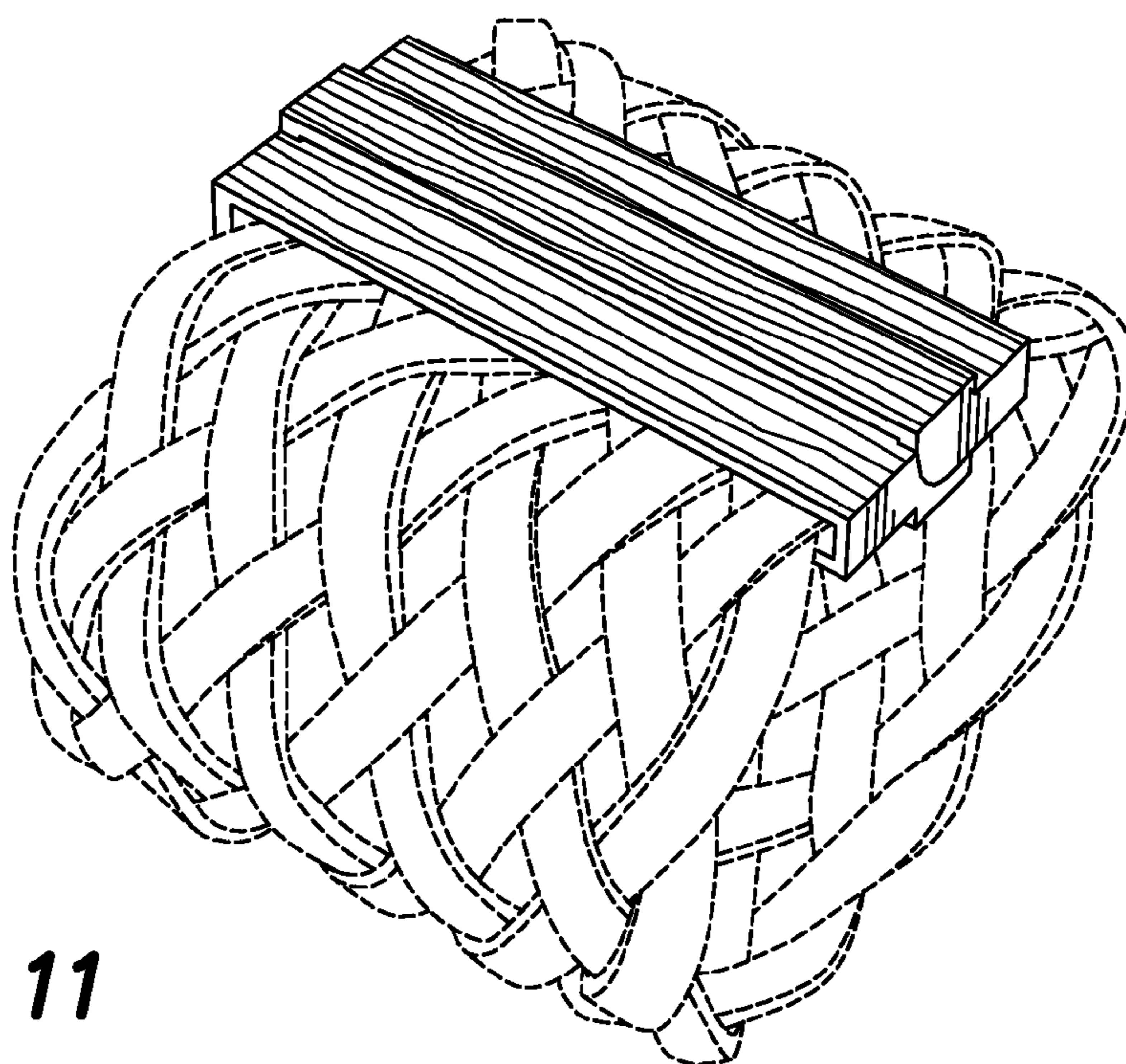
**FIG. 8**



**FIG. 9**



**FIG. 10**



**FIG. 11**