



US00D625641S

(12) **United States Design Patent**
Wier

(10) **Patent No.:** **US D625,641 S**

(45) **Date of Patent:** **** Oct. 19, 2010**

(54) **RING**

(76) **Inventor:** **Robert O. Wier**, 41 Wind River Dr.,
Conroe, TX (US) 77384

(**) **Term:** **14 Years**

(21) **Appl. No.:** **29/361,693**

(22) **Filed:** **May 13, 2010**

(51) **LOC (9) Cl.** **11-01**

(52) **U.S. Cl.** **D11/30**

(58) **Field of Classification Search** D11/26-39,
D11/89-91; 63/15, 15.1-15.4, 15.45, 15.5,
63/15.6, 15.65, 15.7, 26-27

See application file for complete search history.

(56) **References Cited**

U.S. PATENT DOCUMENTS

D9,436 S *	8/1876	Moore	D11/30
D49,202 S *	6/1916	Bain	D11/30
D65,908 S *	11/1924	Fischer	D11/33
D95,172 S *	4/1935	Boehme	D11/31
D152,486 S *	1/1949	Lorillard	D11/38
D153,830 S *	5/1949	Skipp	D11/34
D206,815 S *	1/1967	Fairfield	D11/26
D241,062 S *	8/1976	Poulin	D11/26

D245,489 S *	8/1977	Rimberg	D11/26
D330,212 S *	10/1992	Merritt	D11/30
D359,011 S *	6/1995	Turbeville	D11/34
D462,028 S *	8/2002	Roure	D11/26
D601,914 S *	10/2009	Alcantara	D11/34

* cited by examiner

Primary Examiner—Cathron C Brooks

Assistant Examiner—Melanie Levy

(74) *Attorney, Agent, or Firm*—Sinorica, LLC

(57) **CLAIM**

The ornamental design for a ring, as shown and described.

DESCRIPTION

FIG. 1 is a perspective view of a ring showing my new design;

FIG. 2 is a right side elevational view thereof;

FIG. 3 is a left side elevational view thereof;

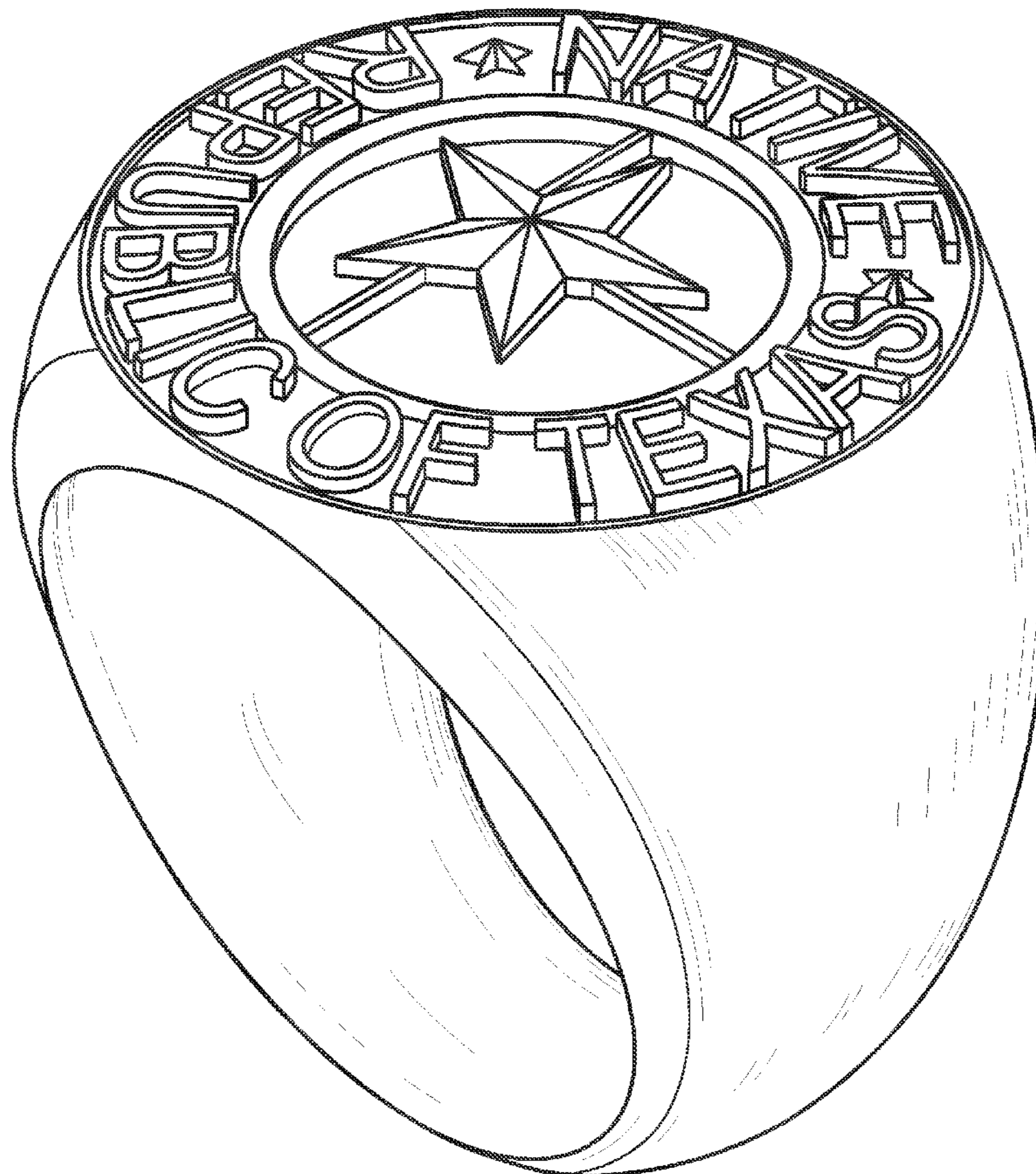
FIG. 4 is front elevational view thereof;

FIG. 5 is a rear elevational view thereof;

FIG. 6 is a top plan view thereof; and,

FIG. 7 is a bottom plan view thereof.

1 Claim, 4 Drawing Sheets



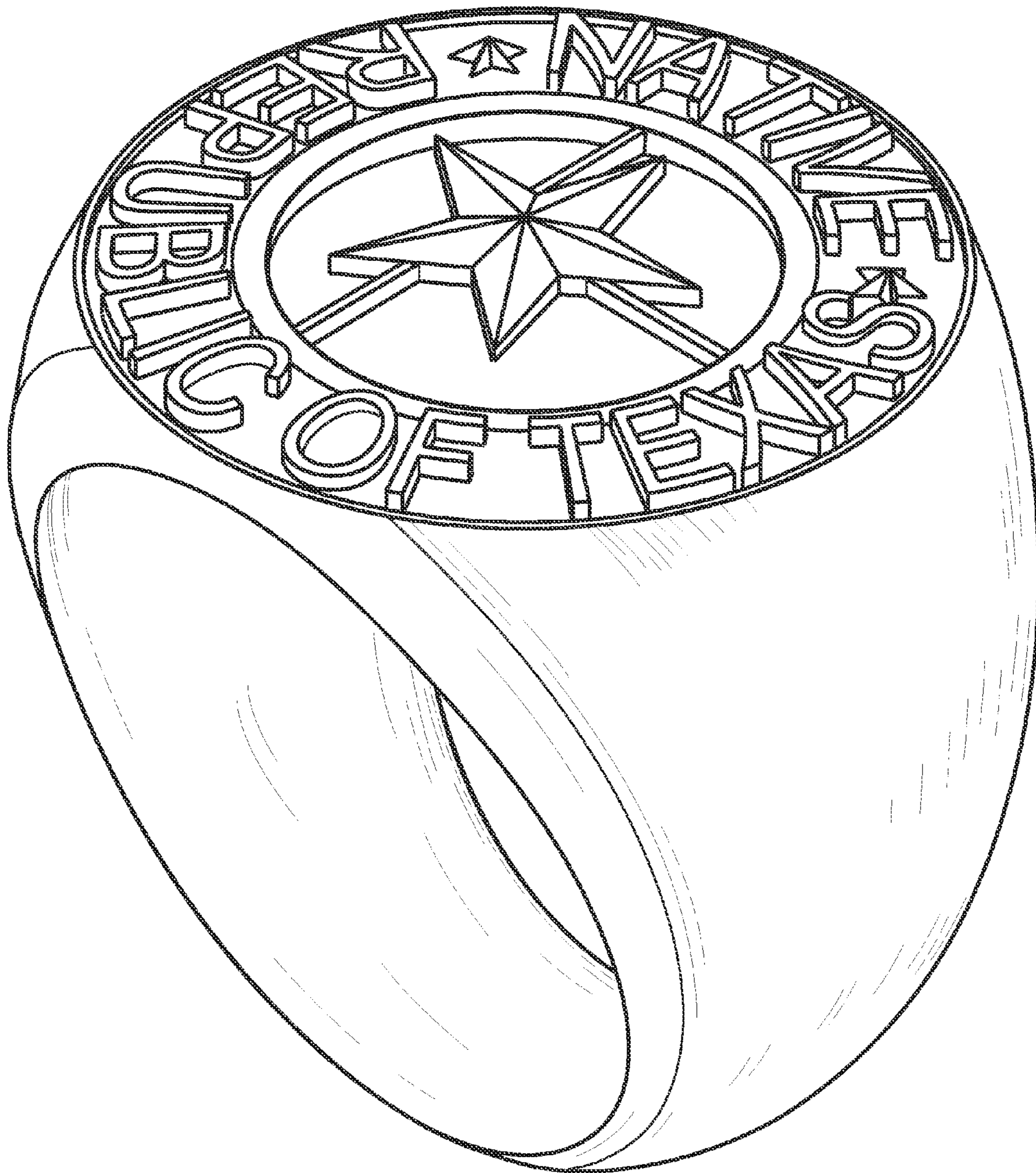


FIG. 1

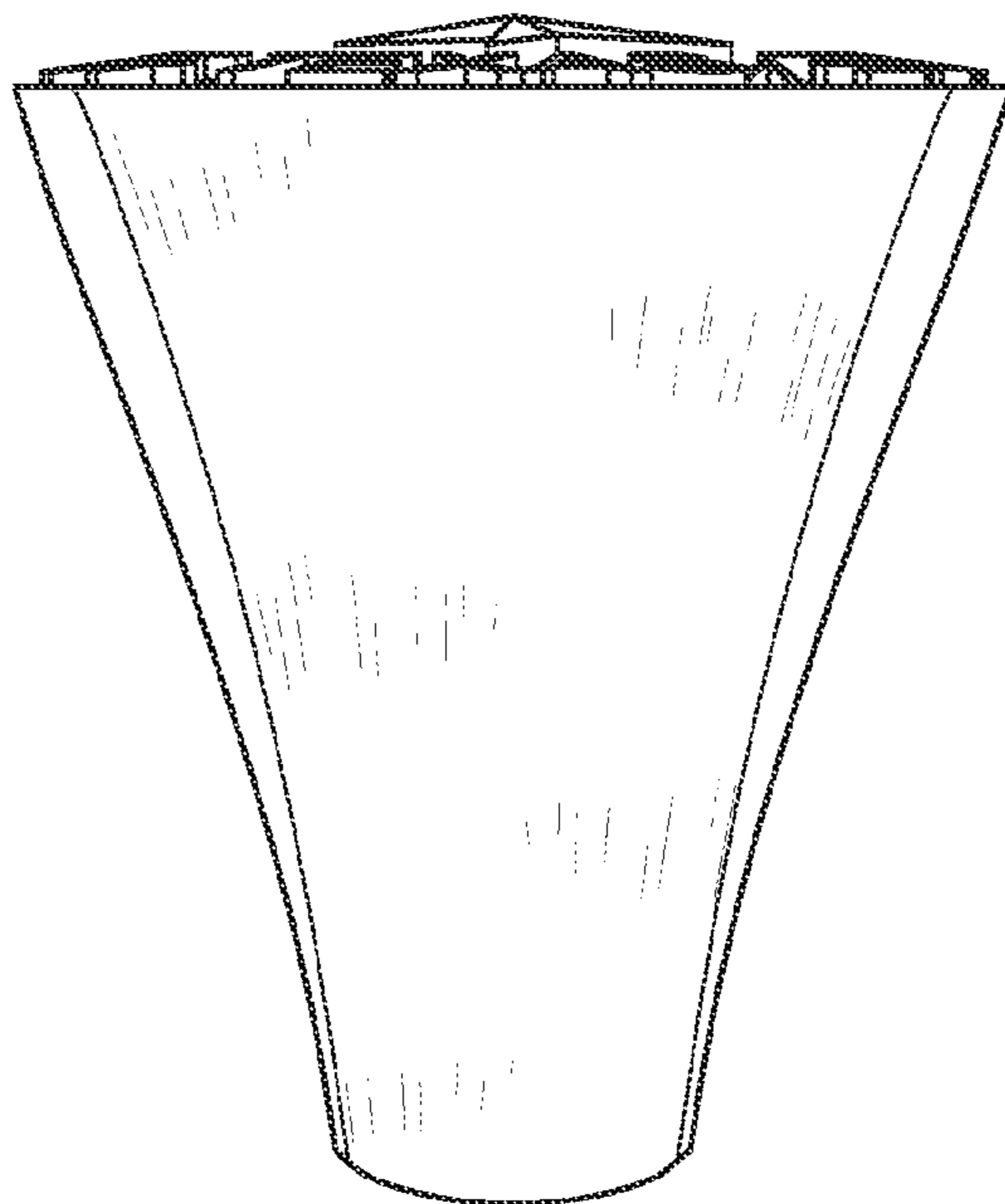


FIG. 2

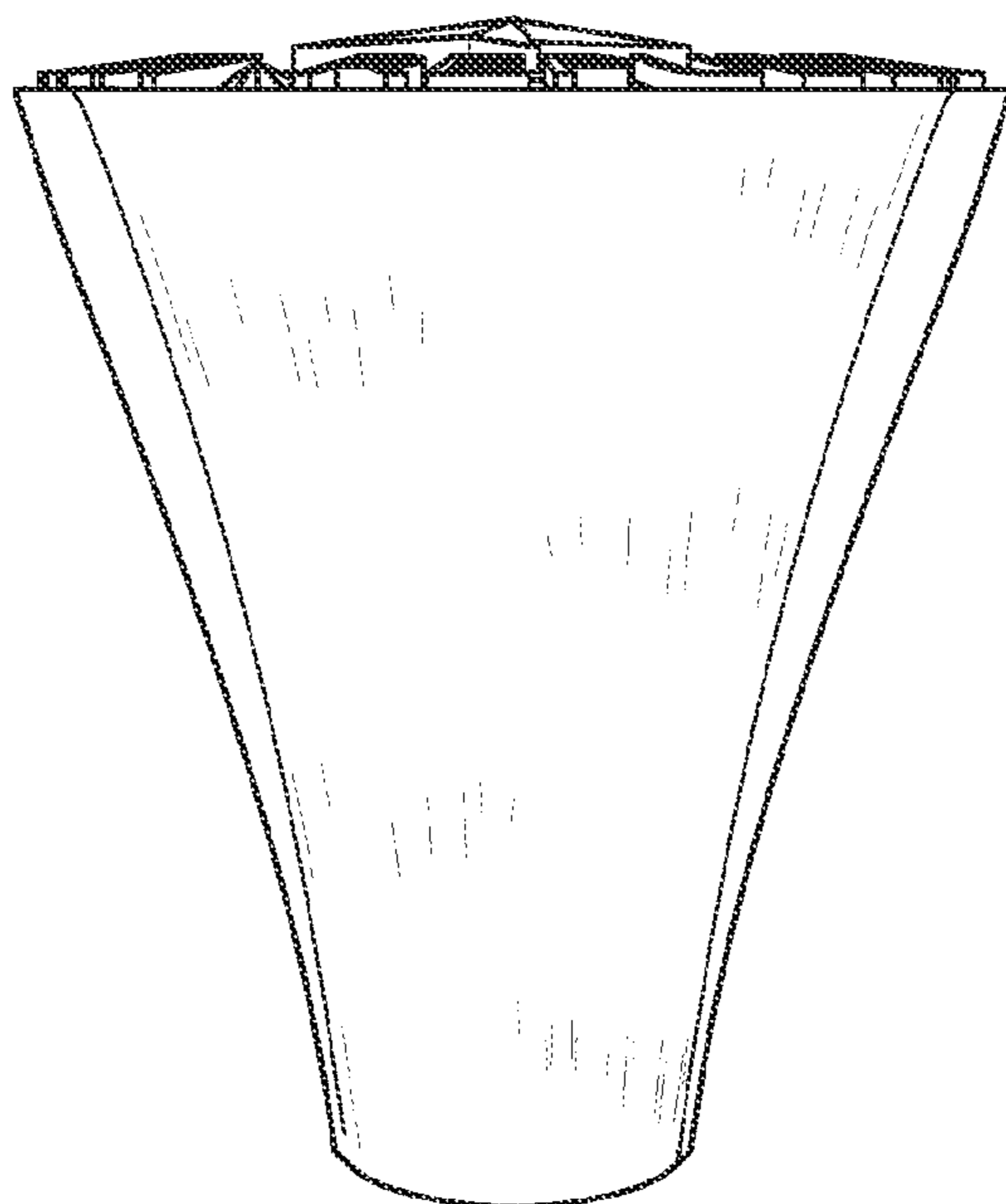


FIG. 3

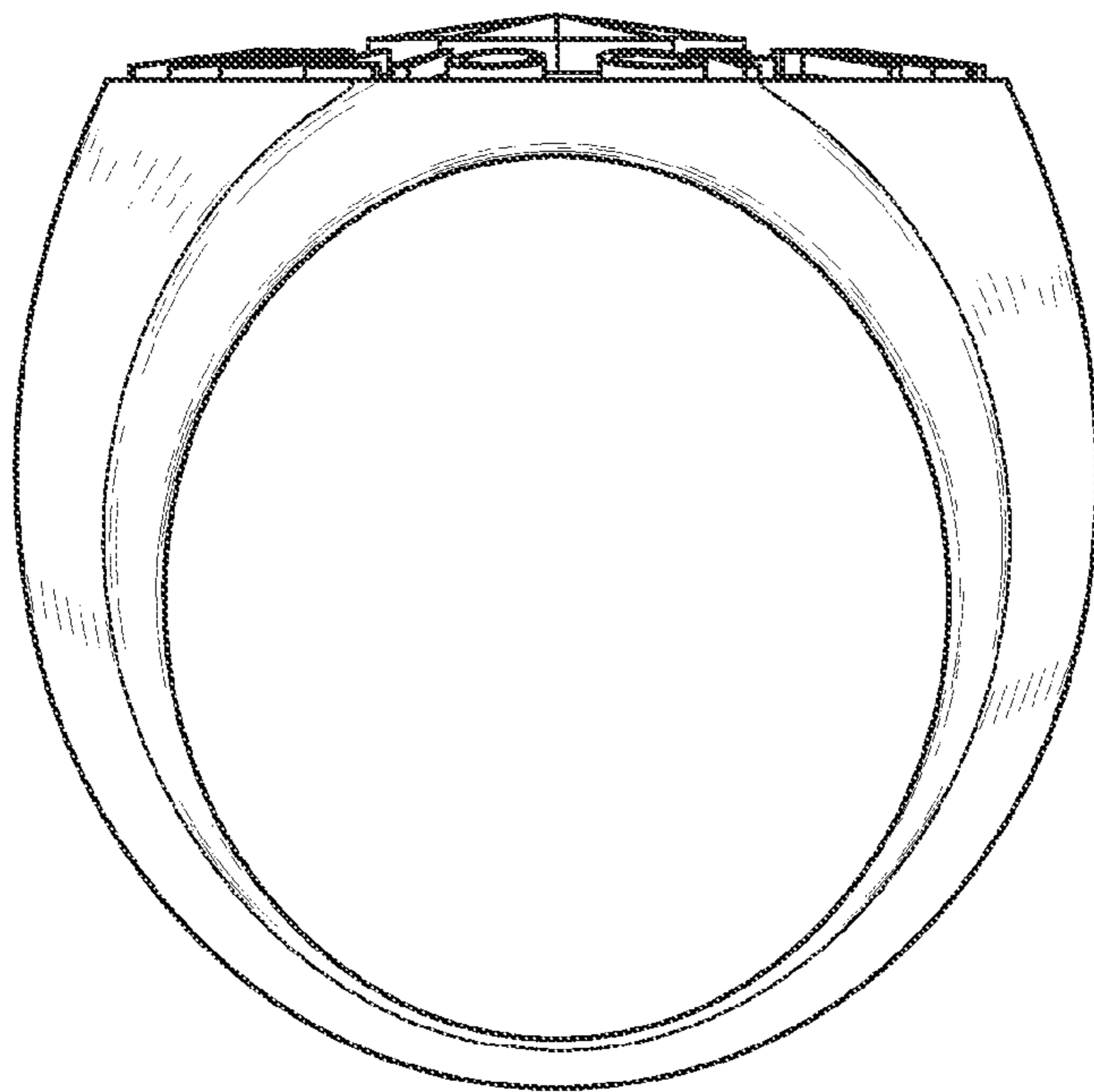


FIG. 4

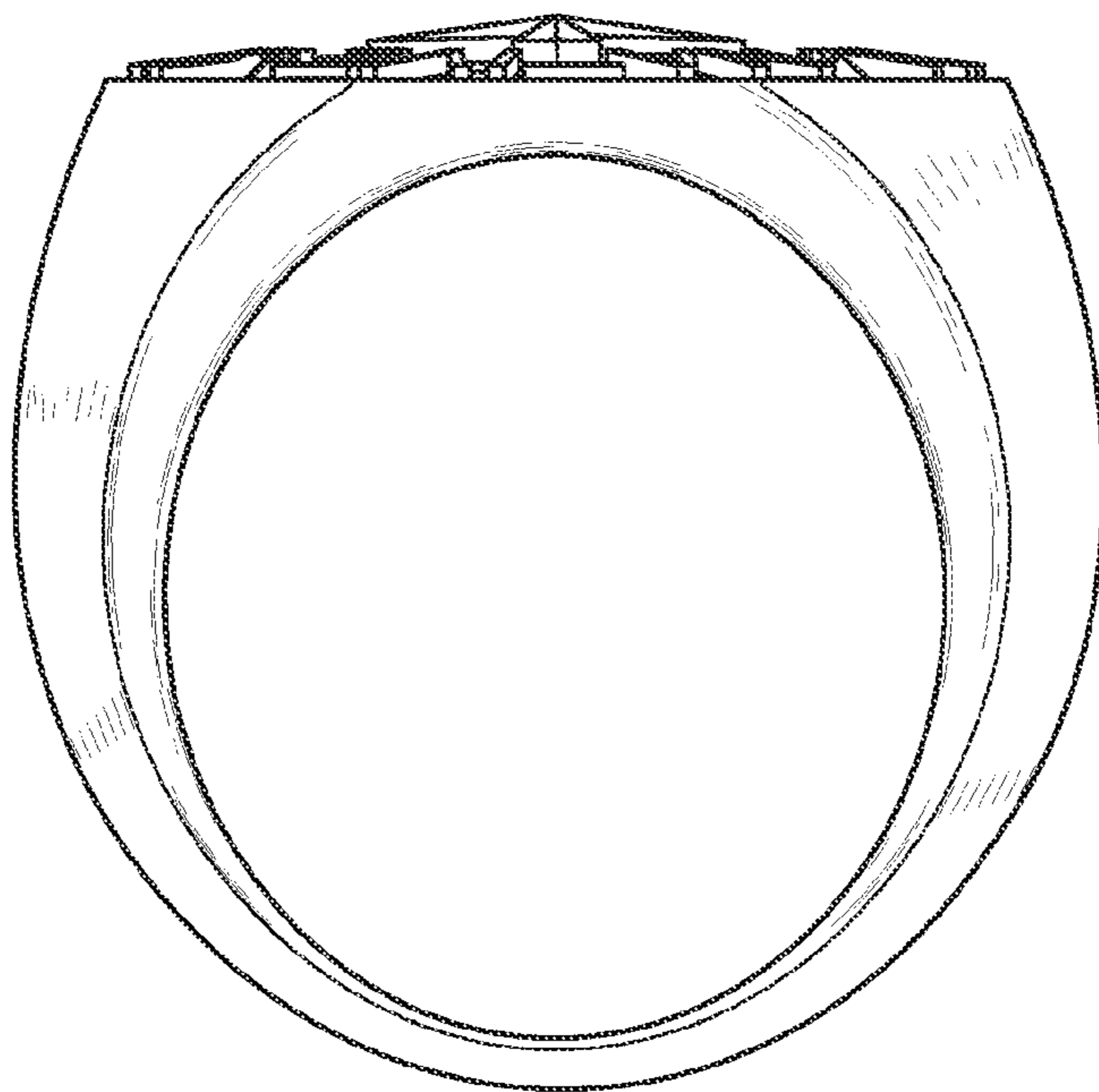


FIG. 5



FIG. 6

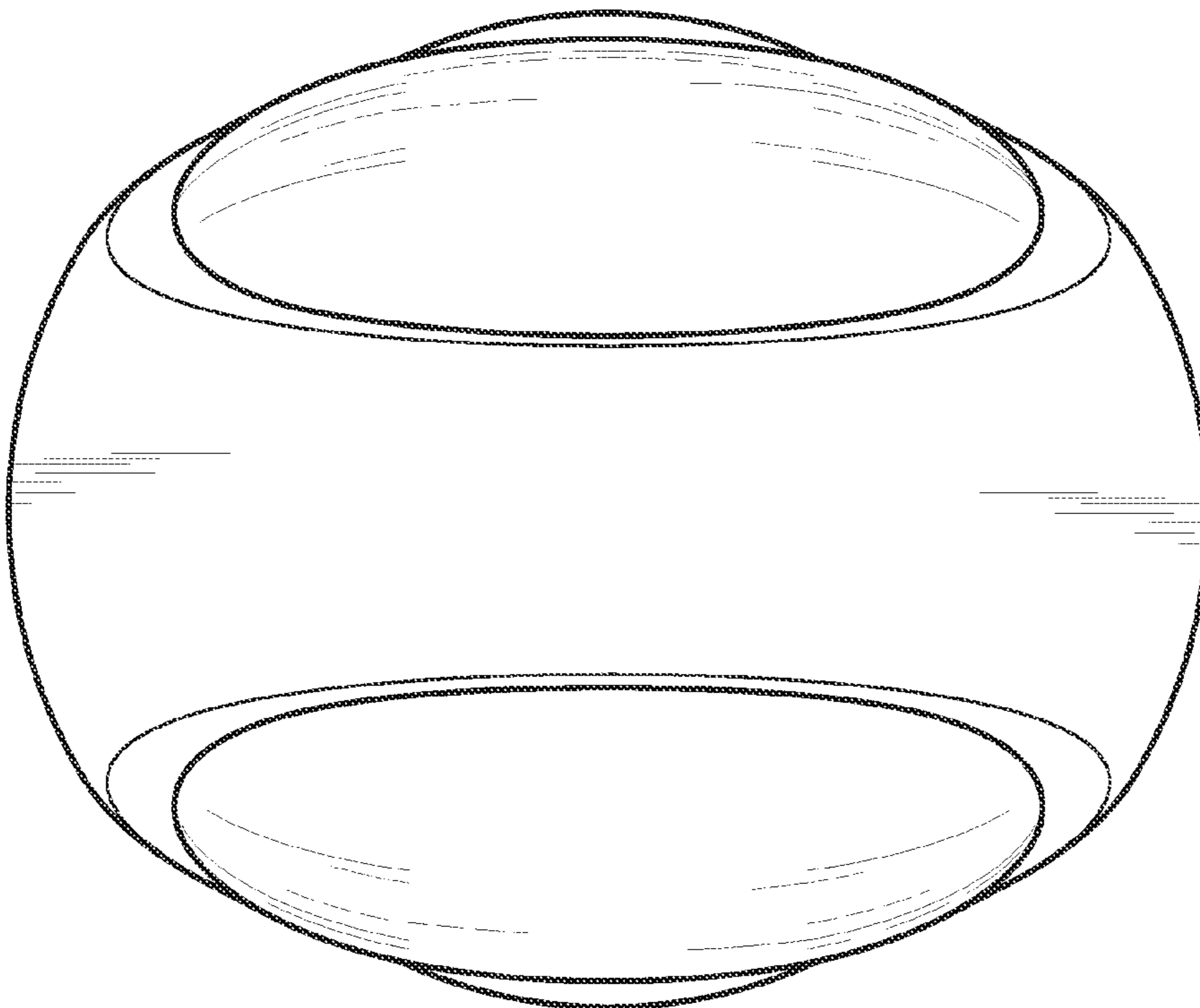


FIG. 7