



US00D625638S

(12) **United States Design Patent**
Lódi

(10) **Patent No.:** **US D625,638 S**
(45) **Date of Patent:** **** Oct. 19, 2010**

(54) **THEFT ALARM**

(75) Inventor: **Tamás Lódi**, Tiszaszolos (HU)

(73) Assignee: **Exaqtworld**, Nogent sur Marne (FR)

(**) Term: **14 Years**

(21) Appl. No.: **29/345,166**

(22) Filed: **Oct. 12, 2009**

(30) **Foreign Application Priority Data**

Apr. 10, 2009 (EM) 001120893-0001

(51) **LOC (9) Cl.** **10-05**

(52) **U.S. Cl.** **D10/106**

(58) **Field of Classification Search** D10/104,
D10/106; D14/251, 203.6, 480.1; 70/57,
70/57.1, 58, 59; D8/356, 354; D20/22, 27;
D9/457, 447, 439, 453; 40/299.01; D12/197
See application file for complete search history.

(56) **References Cited**

U.S. PATENT DOCUMENTS

D192,710 S * 5/1962 Hecht D9/439

D219,806 S * 2/1971 Coleman et al. D9/439
D283,989 S * 5/1986 Chen D10/106
D388,722 S * 1/1998 Wilson D10/106
D459,261 S * 6/2002 DeCosse D10/104
D503,667 S * 4/2005 Keefer et al. D12/197
D508,202 S * 8/2005 Dobson et al. D9/447
D543,456 S * 5/2007 Muhlemann D9/453

* cited by examiner

Primary Examiner—Caron Veynar

Assistant Examiner—George D Kirschbaum

(74) *Attorney, Agent, or Firm*—WRB-IP LLP

(57) **CLAIM**

The ornamental design for a theft alarm, as shown and described.

DESCRIPTION

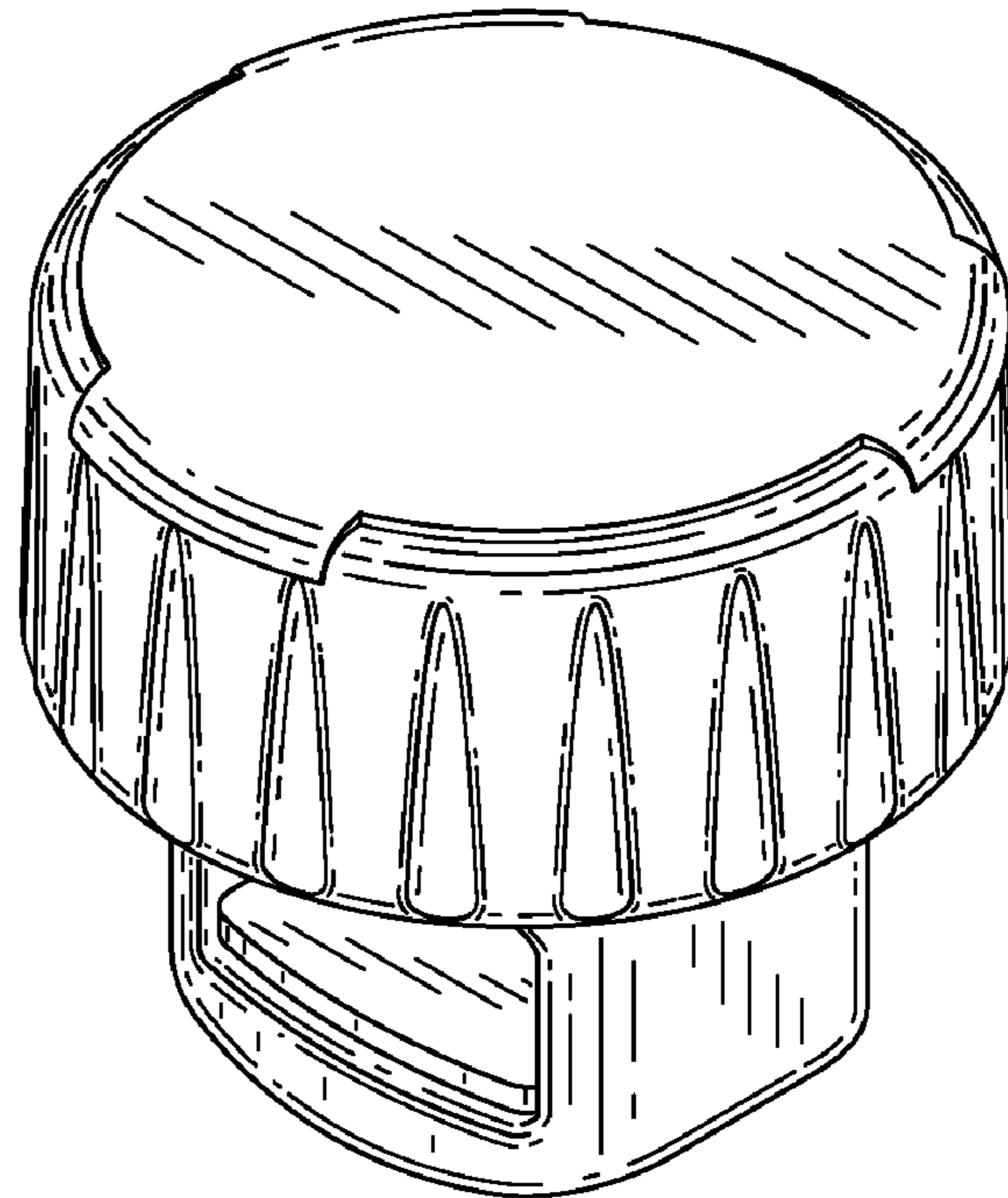
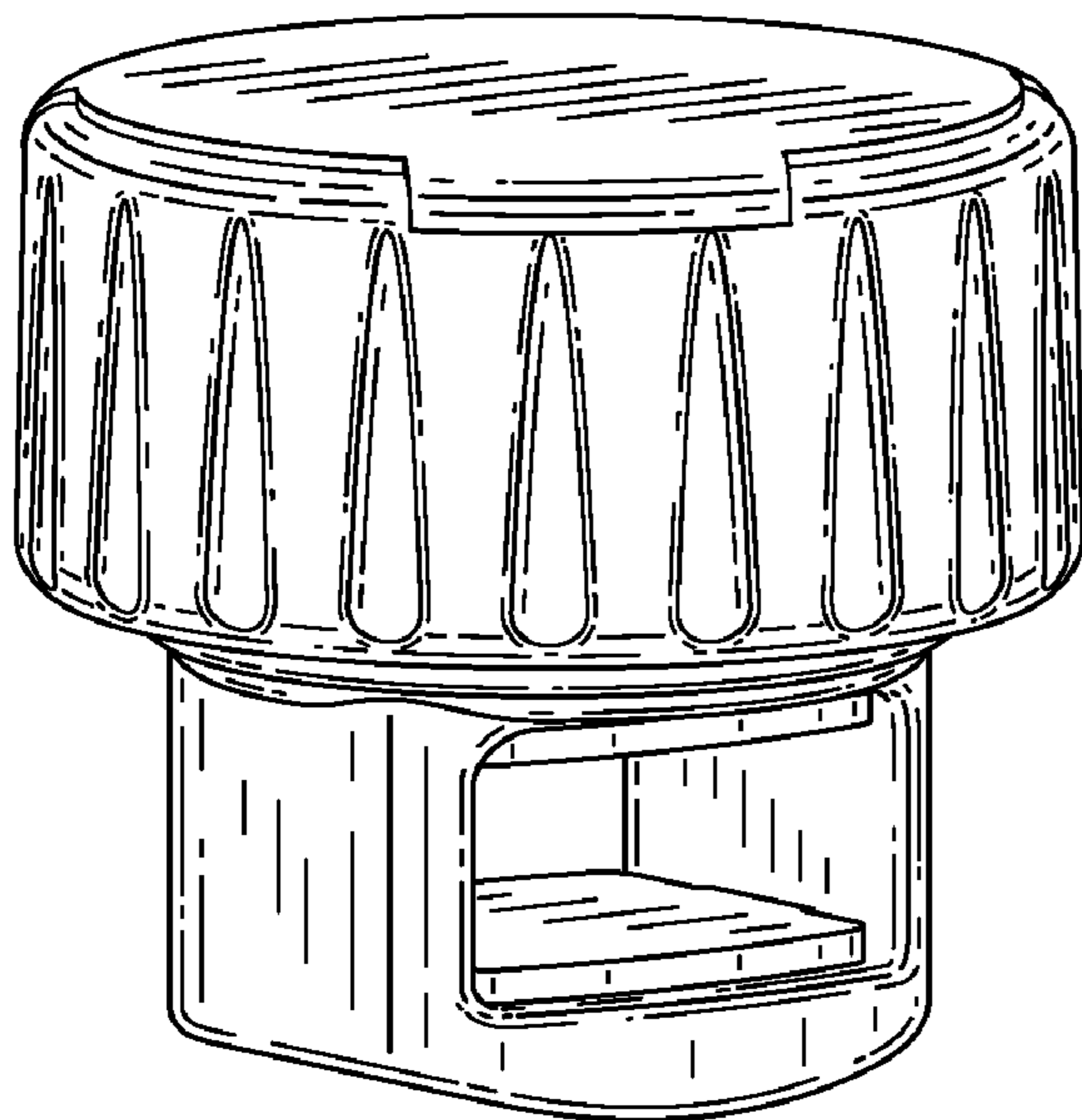
FIG. 1 is a perspective side view of a theft alarm according to an embodiment of the present invention;

FIG. 2 is a perspective top view of the theft alarm of FIG. 1;

FIG. 3 is a side view of the theft alarm of FIG. 1; and,

FIG. 4 is a perspective bottom view of the theft alarm of FIG. 1.

1 Claim, 2 Drawing Sheets



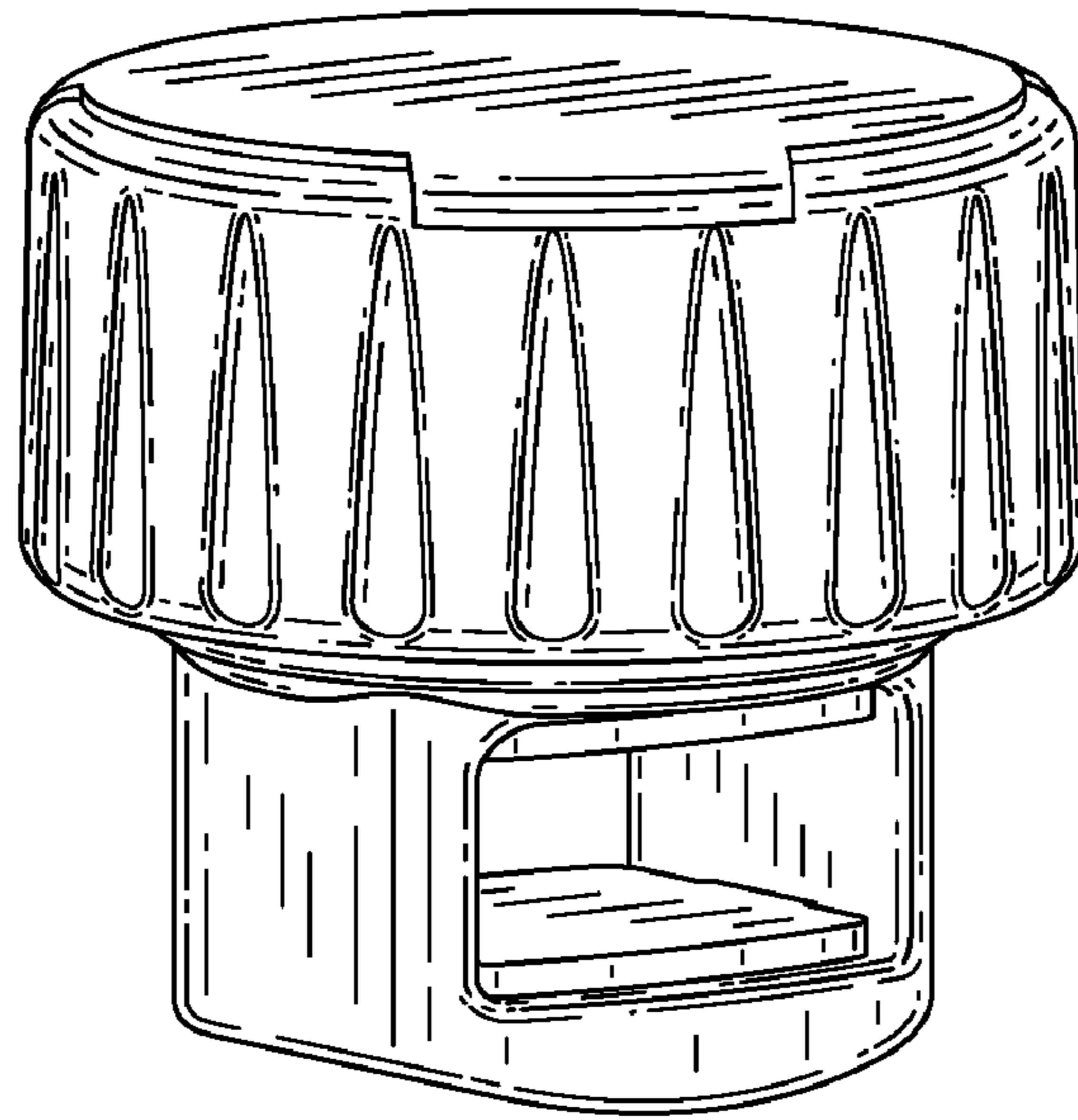


FIG. 1

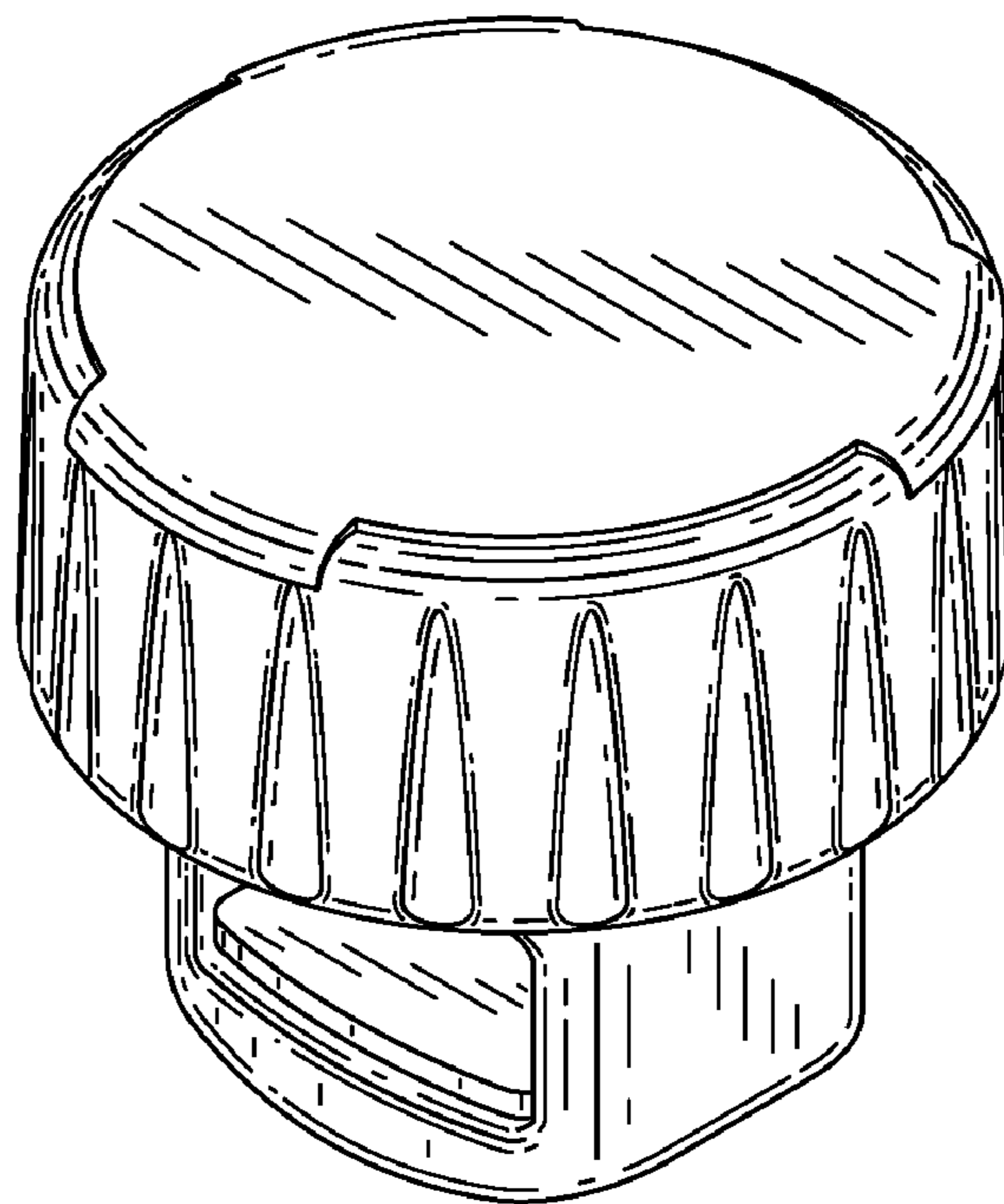


FIG. 2

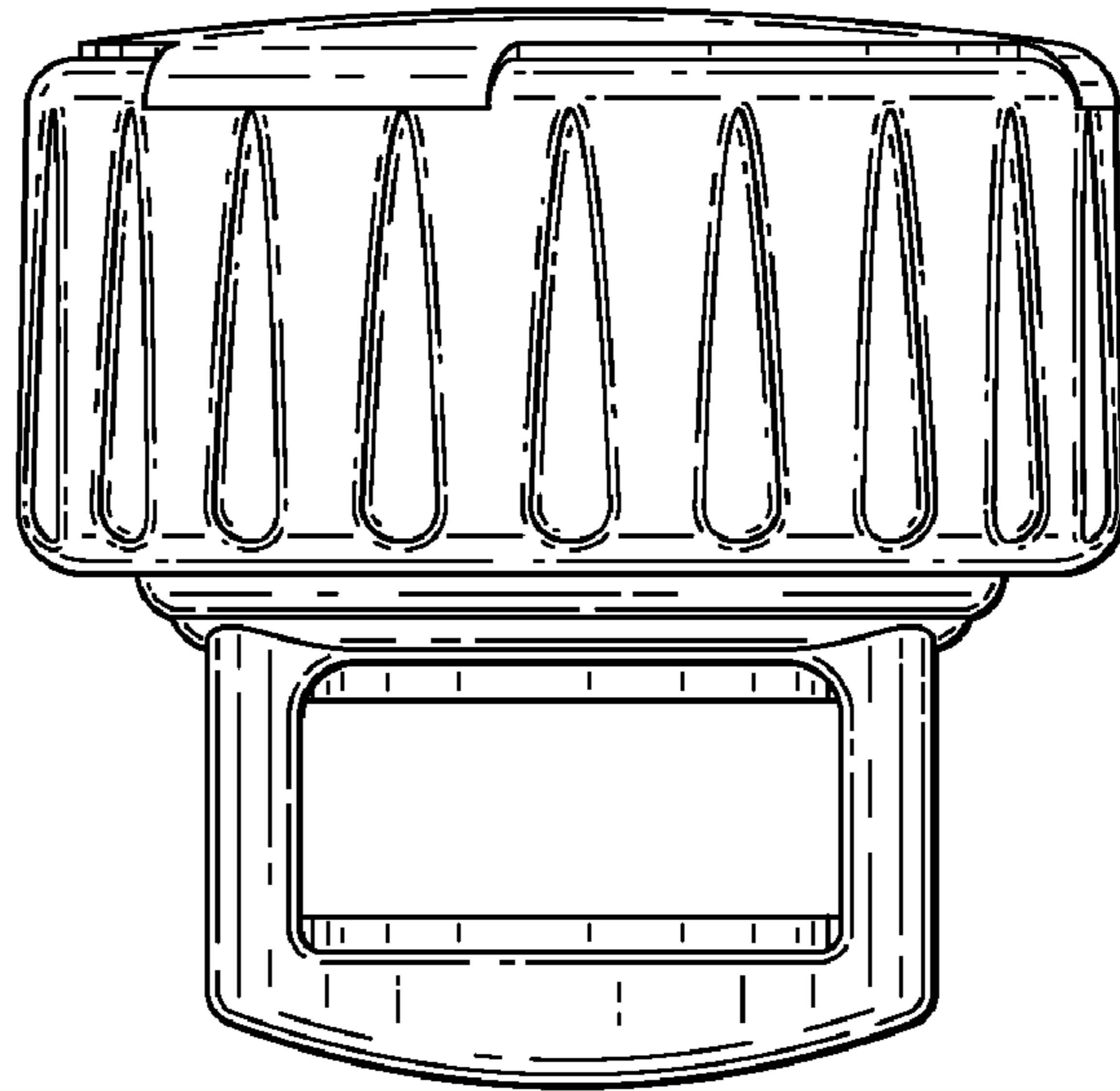


FIG. 3

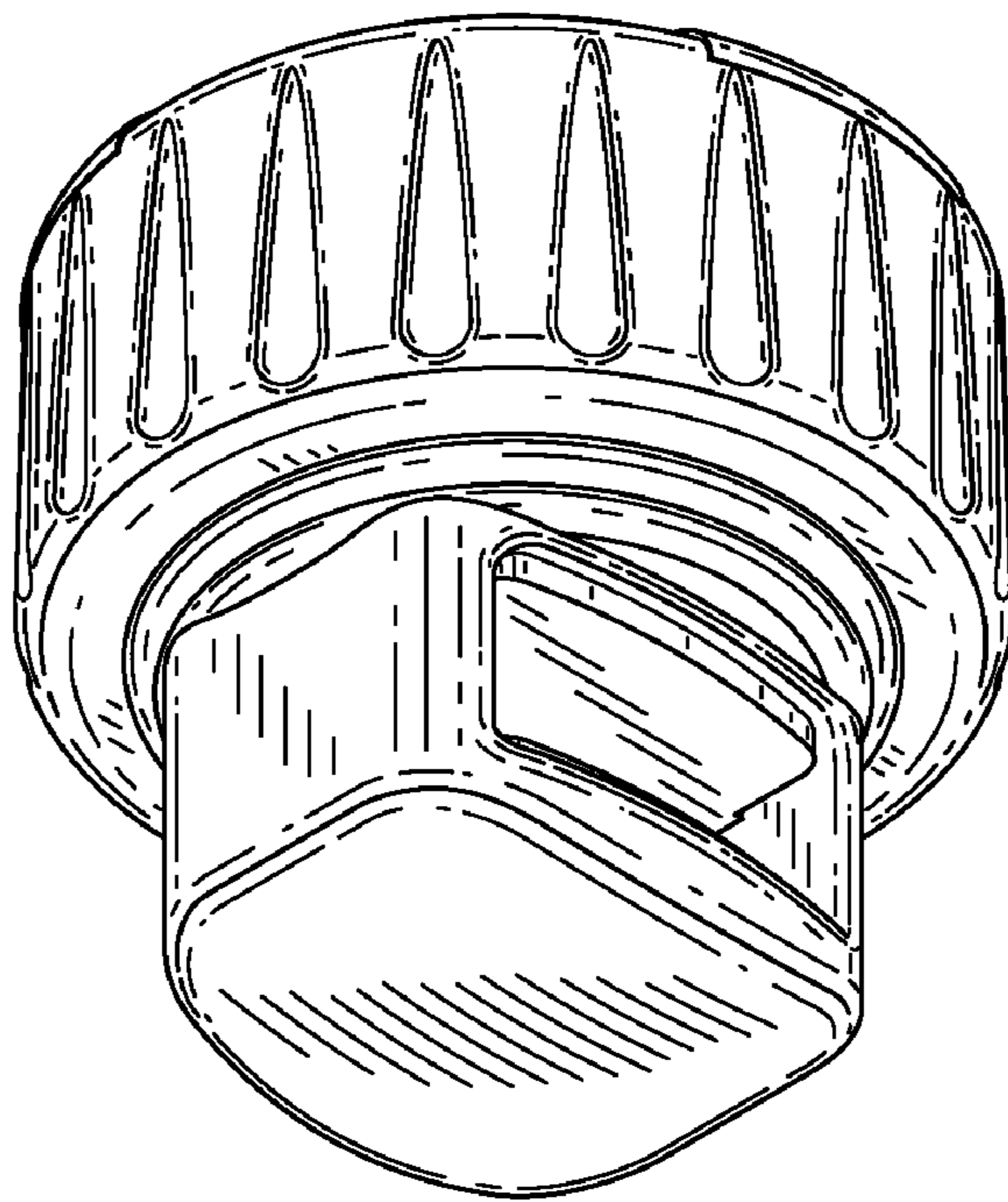


FIG. 4