



US00D625636S

(12) **United States Design Patent**  
**Fehrenbach et al.**

(10) **Patent No.:** **US D625,636 S**  
(45) **Date of Patent:** **\*\* Oct. 19, 2010**

(54) **INSTRUMENT HOUSING WITH  
TRANSPARENT COVER**

(75) Inventors: **Josef Fehrenbach**, Haslach (DE); **Frank  
Becherer**, Haslach (DE); **Holger Sack**,  
Schiltach (DE); **Winfried Rauer**,  
Fischerbach (DE); **Thomas Deck**,  
Wolfach (DE)

(73) Assignee: **VEGA Grieshaber KG**, Wolfach (DE)

(\*\*) Term: **14 Years**

(21) Appl. No.: **29/344,686**

(22) Filed: **Oct. 2, 2009**

(30) **Foreign Application Priority Data**

Apr. 3, 2009 (EM) ..... 001117964-0002

(51) **LOC (9) Cl.** ..... **10-04**

(52) **U.S. Cl.** ..... **D10/96; D10/101**

(58) **Field of Classification Search** ..... D10/96,  
D10/99-102; 73/290 R, 290 V, 632; 250/225,  
250/357.1; 324/639, 640; 333/243; 342/124;  
356/339, 341

See application file for complete search history.

(56) **References Cited**

**U.S. PATENT DOCUMENTS**

D416,822 S \* 11/1999 Slate et al. .... D10/103  
6,538,598 B1 \* 3/2003 Wilkie et al. .... 73/290 V  
D488,735 S \* 4/2004 Palmer et al. .... D10/99  
D516,441 S \* 3/2006 Iida et al. .... D10/46

7,106,248 B2 \* 9/2006 Janitch et al. .... 342/124  
D576,897 S \* 9/2008 Quimby et al. .... D10/85  
7,515,095 B2 \* 4/2009 Wilkie et al. .... 73/290 R  
7,532,155 B2 \* 5/2009 Kleman et al. .... 342/124  
D601,050 S \* 9/2009 Satoh et al. .... D10/96  
D613,195 S \* 4/2010 Kabaya ..... D10/96  
D613,196 S \* 4/2010 Kabaya ..... D10/96  
7,701,385 B2 \* 4/2010 Edvardsson ..... 342/124

\* cited by examiner

*Primary Examiner*—Antoine D Davis

(74) *Attorney, Agent, or Firm*—Moss & Barnett

(57) **CLAIM**

The ornamental design for an instrument housing with transparent cover, as shown.

**DESCRIPTION**

FIG. 1 is a perspective view of a front side of the instrument housing with transparent cover showing our new design;

FIG. 2 is a perspective view of a bottom side of the instrument housing with transparent cover;

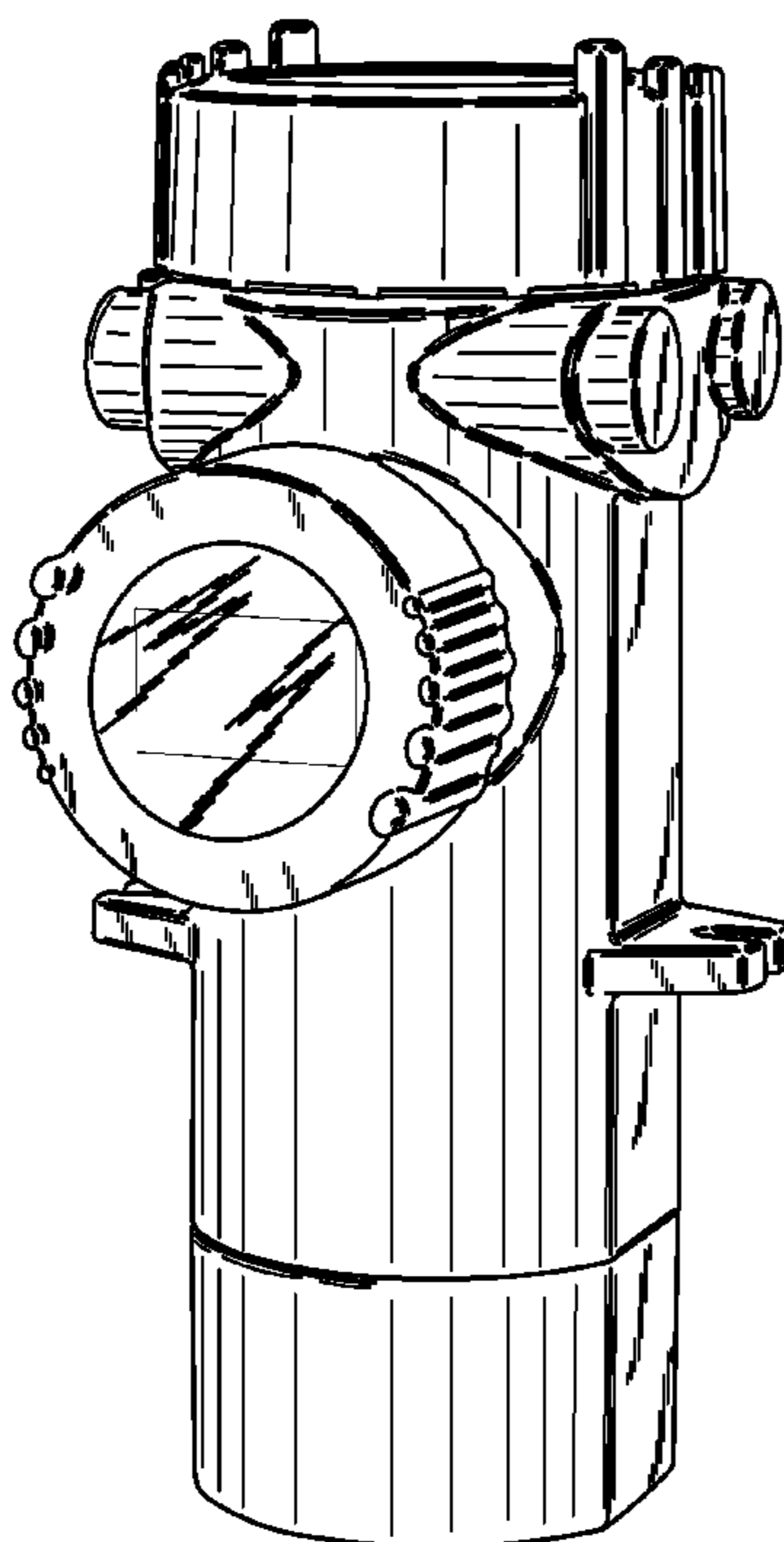
FIG. 3 is a perspective view of a side of the instrument housing with transparent cover;

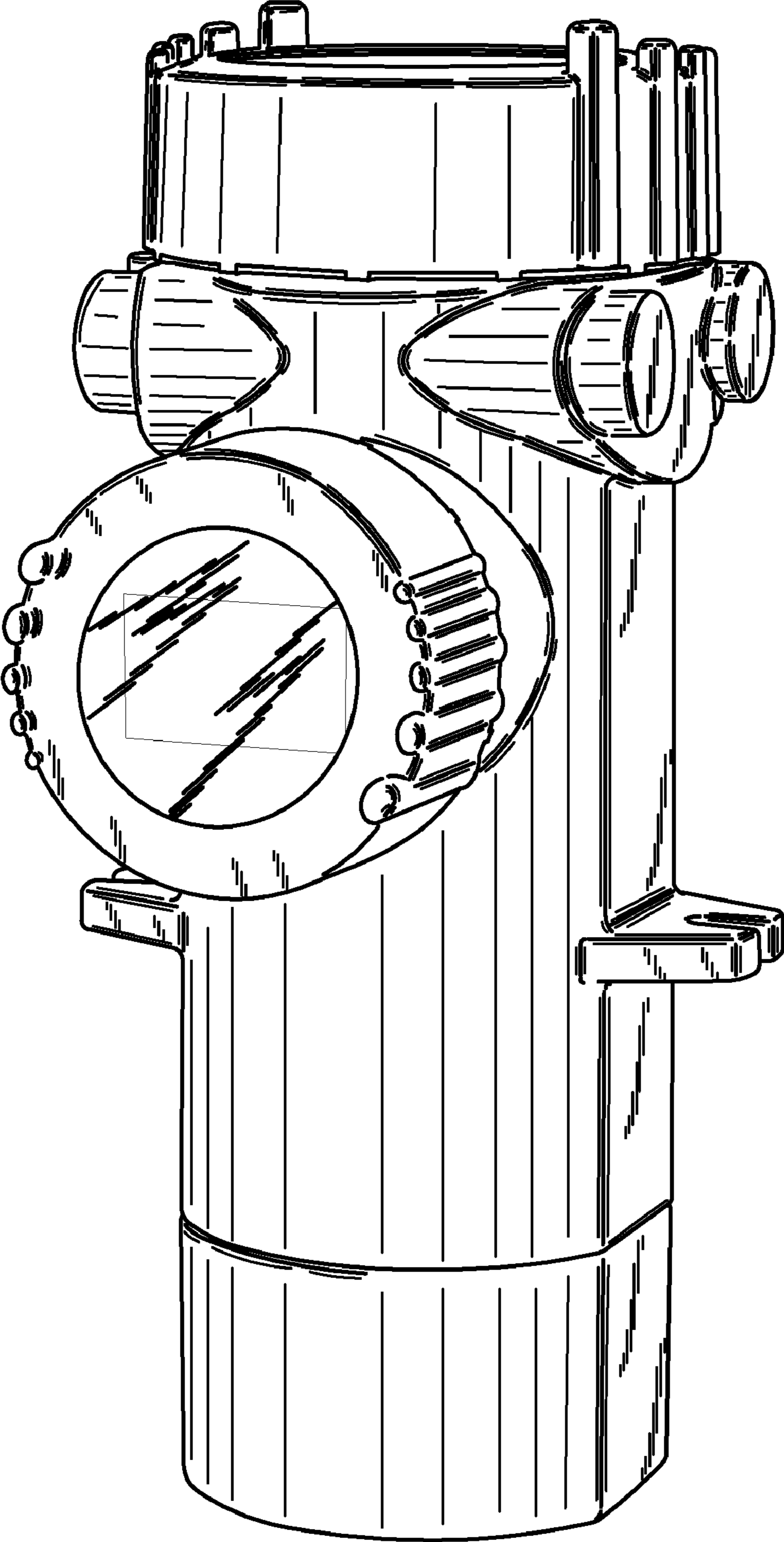
FIG. 4 is a plan view of a side of the instrument housing with transparent cover, opposite that of FIG. 3;

FIG. 5 is a perspective view of a top of the instrument housing with transparent cover; and,

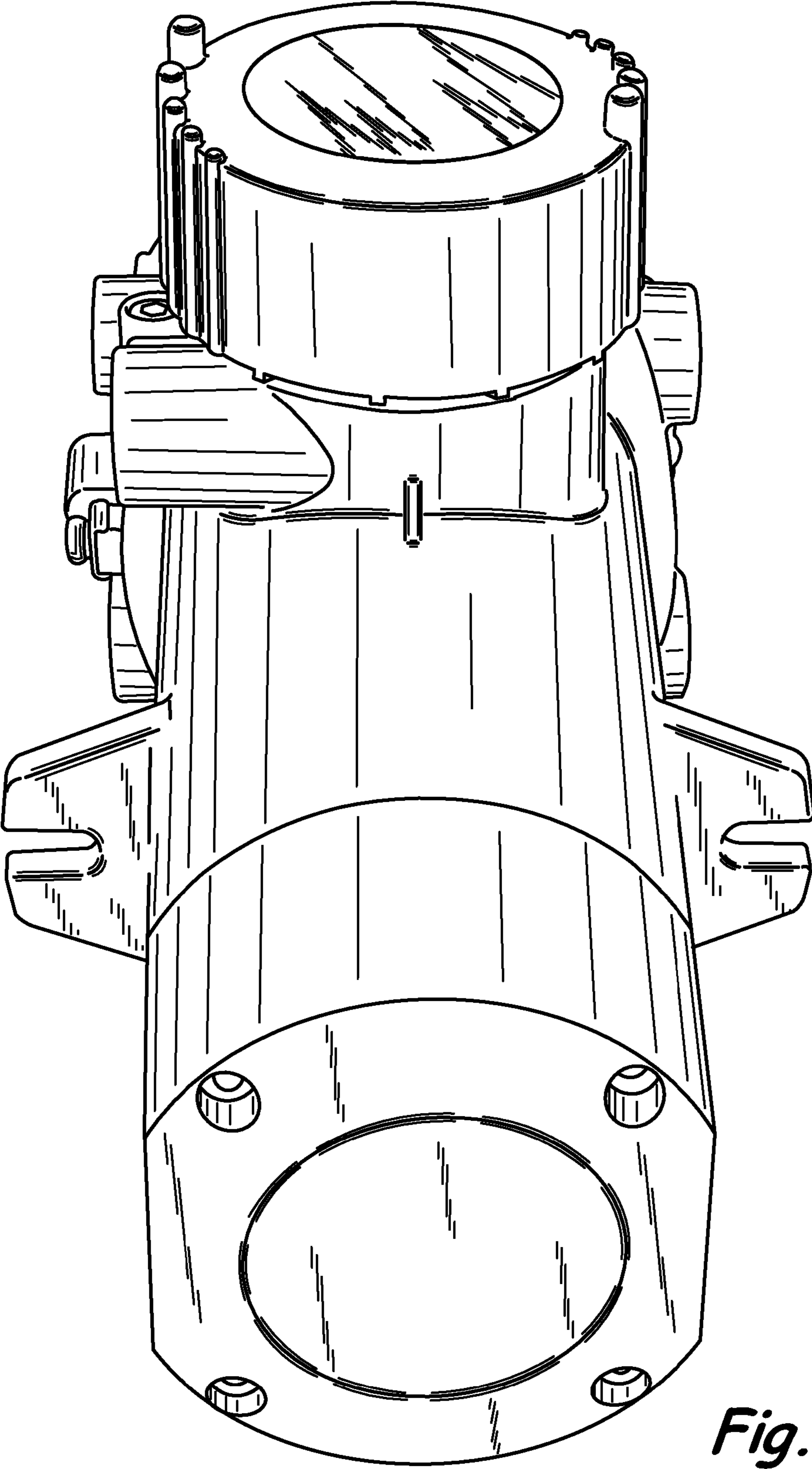
FIG. 6 is a perspective view of a back of the instrument housing with transparent cover.

**1 Claim, 6 Drawing Sheets**

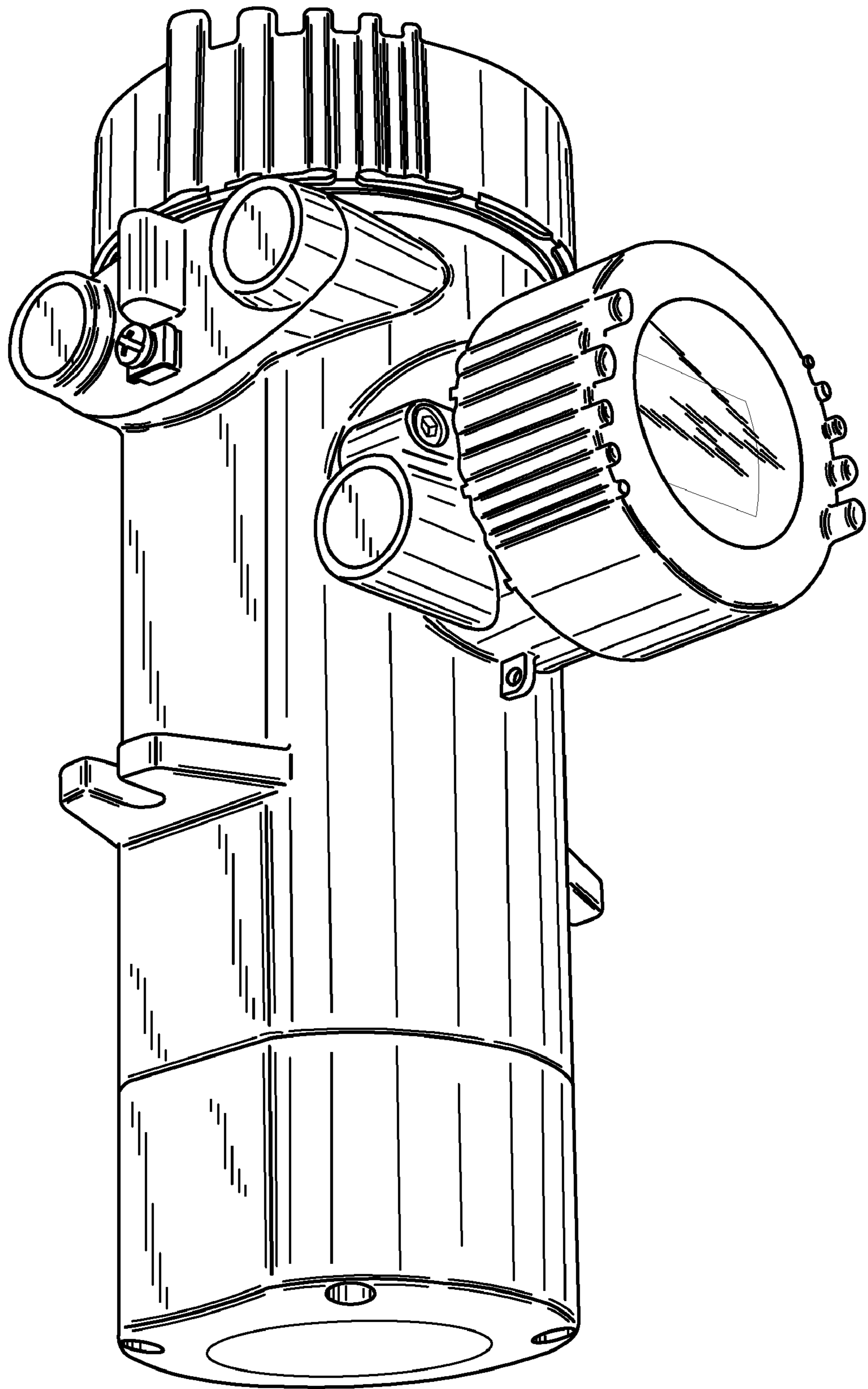




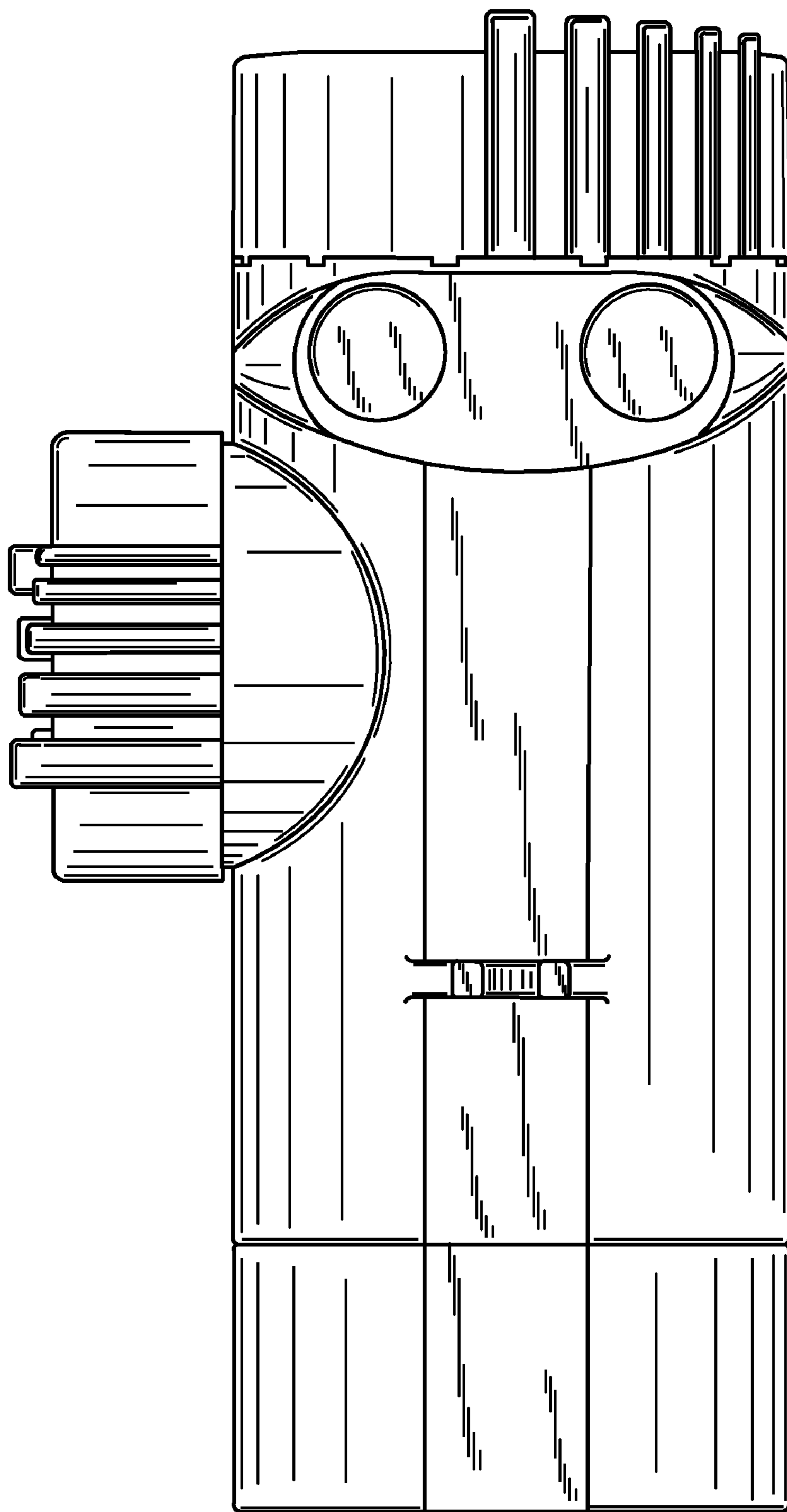
*Fig. 1*



*Fig. 2*

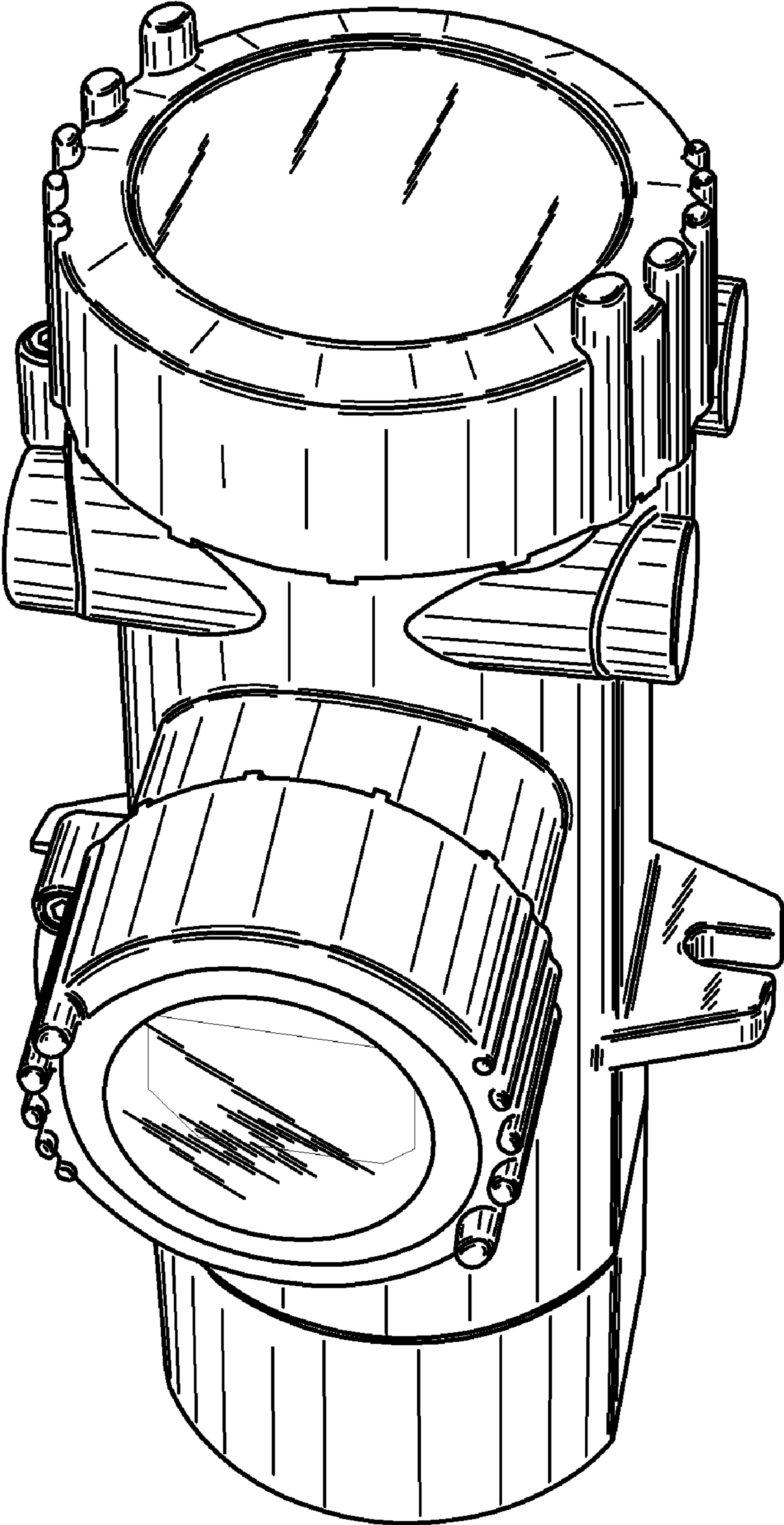


*Fig. 3*

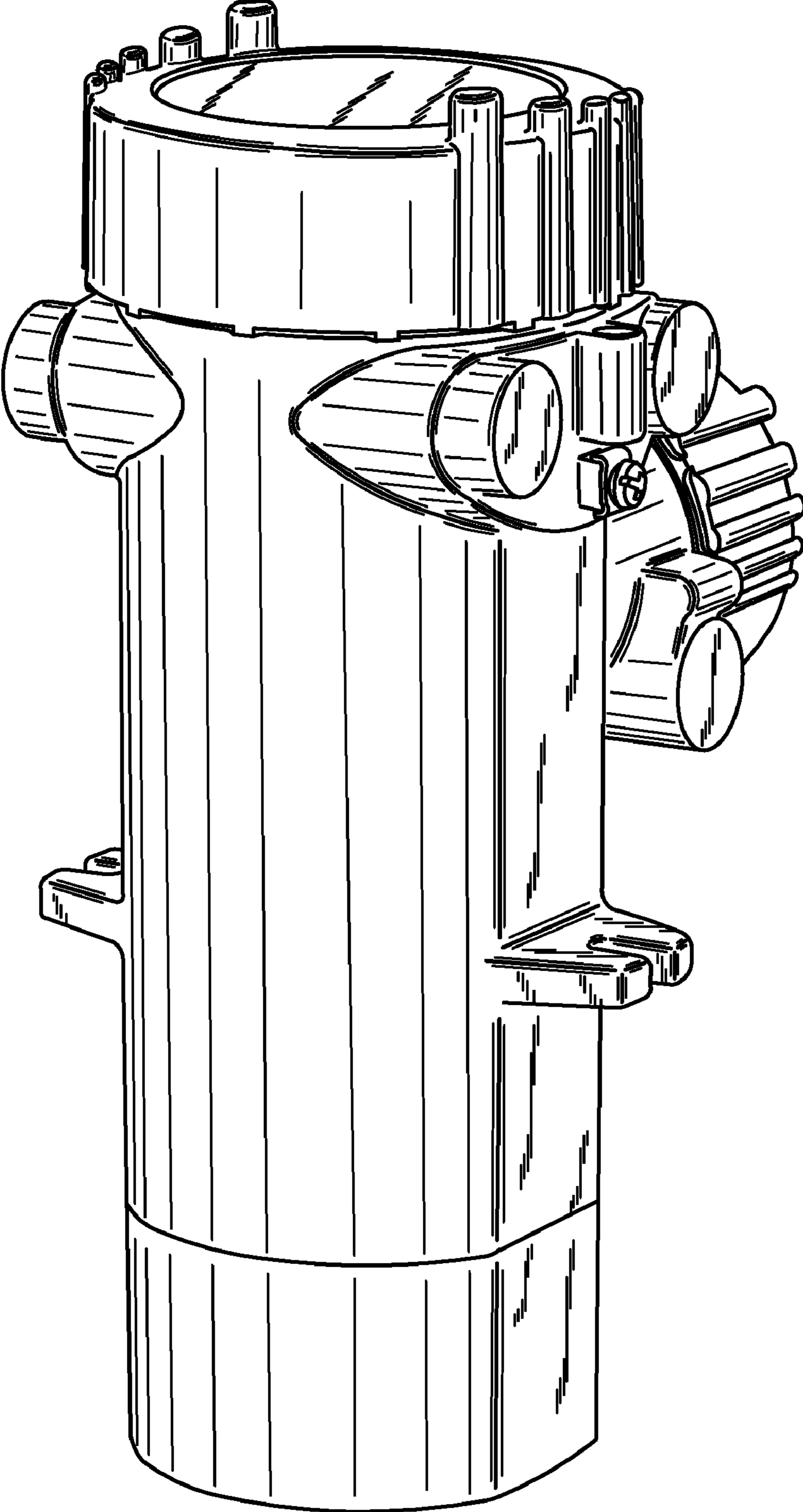


*Fig. 4*





*Fig. 5*



*Fig. 6*