



US00D625634S

(12) **United States Design Patent**  
**Chen et al.**

(10) **Patent No.:** **US D625,634 S**  
(45) **Date of Patent:** **\*\* Oct. 19, 2010**

(54) **SCAN TOOL**  
(75) Inventors: **Ieon Chen**, Laguna Hills, CA (US);  
**John Protti**, Long Beach, CA (US)  
(73) Assignee: **Innova Electronics Corporation**,  
Fountain Valley, CA (US)  
(\*\*) Term: **14 Years**  
(21) Appl. No.: **29/352,172**  
(22) Filed: **Dec. 17, 2009**  
(51) **LOC (9) Cl.** ..... **10-04**  
(52) **U.S. Cl.** ..... **D10/78**  
(58) **Field of Classification Search** ..... D10/78;  
D14/203.3, 203.7, 341, 346, 347, 138 AA,  
D14/507, 426; 324/76.12, 426, 500; 340/438,  
340/439; 701/24, 29-35; 702/119, 123,  
702/182, 183; 714/E11.207; 717/136, 142,  
717/143  
See application file for complete search history.

D515,952 S \* 2/2006 Chang ..... D10/78  
7,073,714 B2 7/2006 Namaky et al.  
7,085,680 B2 8/2006 Huang  
RE39,619 E 5/2007 Andreasen et al.  
D555,525 S \* 11/2007 Chong et al. .... D10/78  
D558,621 S 1/2008 Rich et al.  
D560,129 S 1/2008 Rich et al.  
D560,527 S 1/2008 Rich et al.  
7,328,093 B1 \* 2/2008 Gessner et al. .... 701/29  
D563,249 S \* 3/2008 Chen ..... D10/78  
7,437,227 B2 10/2008 Andreasen et al.  
7,464,000 B2 12/2008 Huang  
D588,482 S \* 3/2009 Kim ..... D10/78  
D601,047 S \* 9/2009 Chang ..... D10/78  
D610,586 S \* 2/2010 Chen ..... D14/426  
7,702,437 B2 \* 4/2010 Gilbert ..... 701/29  
2003/0060953 A1 3/2003 Chen  
2003/0125851 A1 7/2003 Andreasen et al.  
2004/0016804 A1 1/2004 Namaky et al.

\* cited by examiner

*Primary Examiner*—Antoine D Davis  
(74) *Attorney, Agent, or Firm*—Stetina Brunda Garred &  
Brucker

(56) **References Cited**

**U.S. PATENT DOCUMENTS**

D359,040 S 6/1995 Nakamura et al.  
D361,288 S \* 8/1995 Chandwick et al. .... D10/78  
5,541,840 A 7/1996 Gurne et al.  
5,875,413 A 2/1999 Vinci  
D419,464 S \* 1/2000 Chang ..... D10/78  
D427,090 S \* 6/2000 Washburn et al. .... D10/78  
D433,017 S 10/2000 Martinez  
6,181,992 B1 1/2001 Gurne et al.  
D439,898 S 4/2001 Ober et al.  
D446,135 S \* 8/2001 Chen ..... D10/78  
D467,918 S 12/2002 Fitch et al.  
D469,367 S 1/2003 Mirabelli et al.  
D475,033 S 5/2003 Lehtonen  
D478,017 S \* 8/2003 Chen ..... D10/78  
6,687,584 B2 2/2004 Andreasen et al.  
D498,475 S 11/2004 Byun  
6,988,053 B2 1/2006 Namaky

(57) **CLAIM**

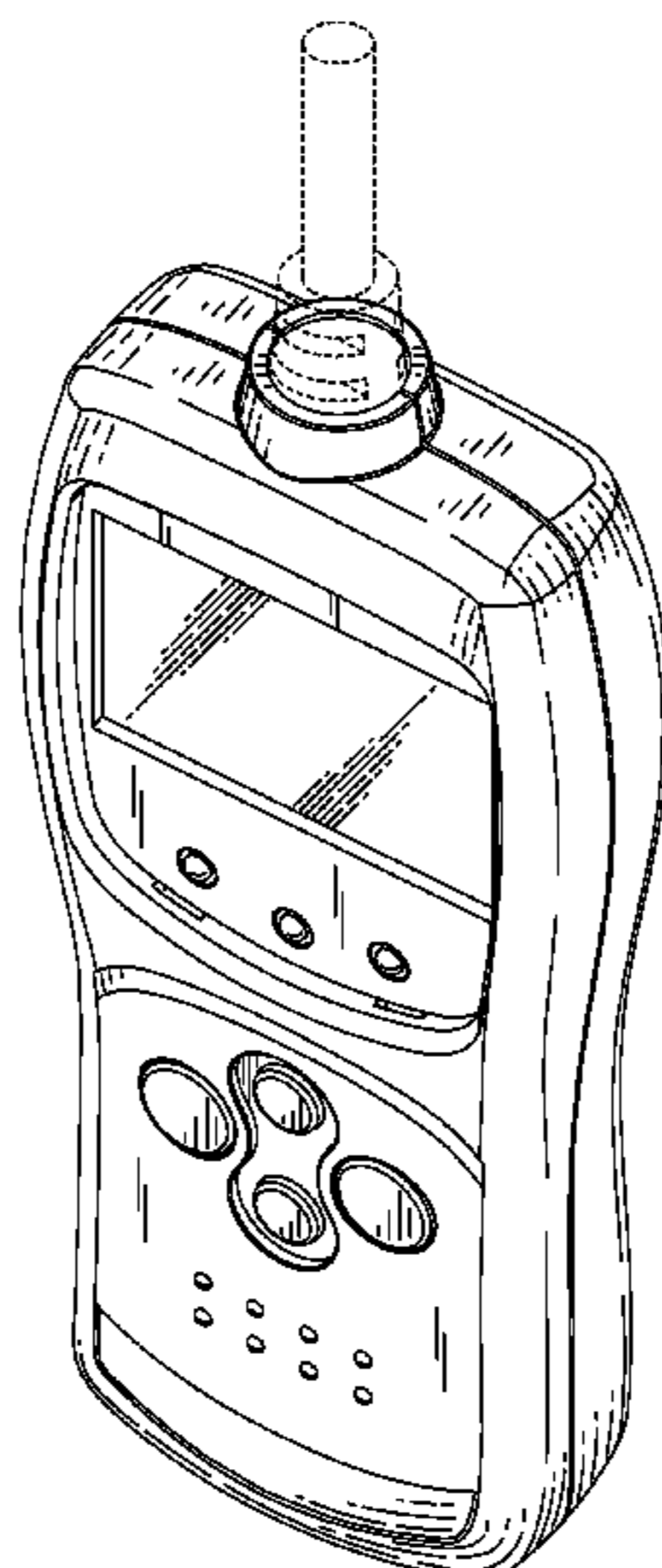
The ornamental design for a scan tool, as shown and described.

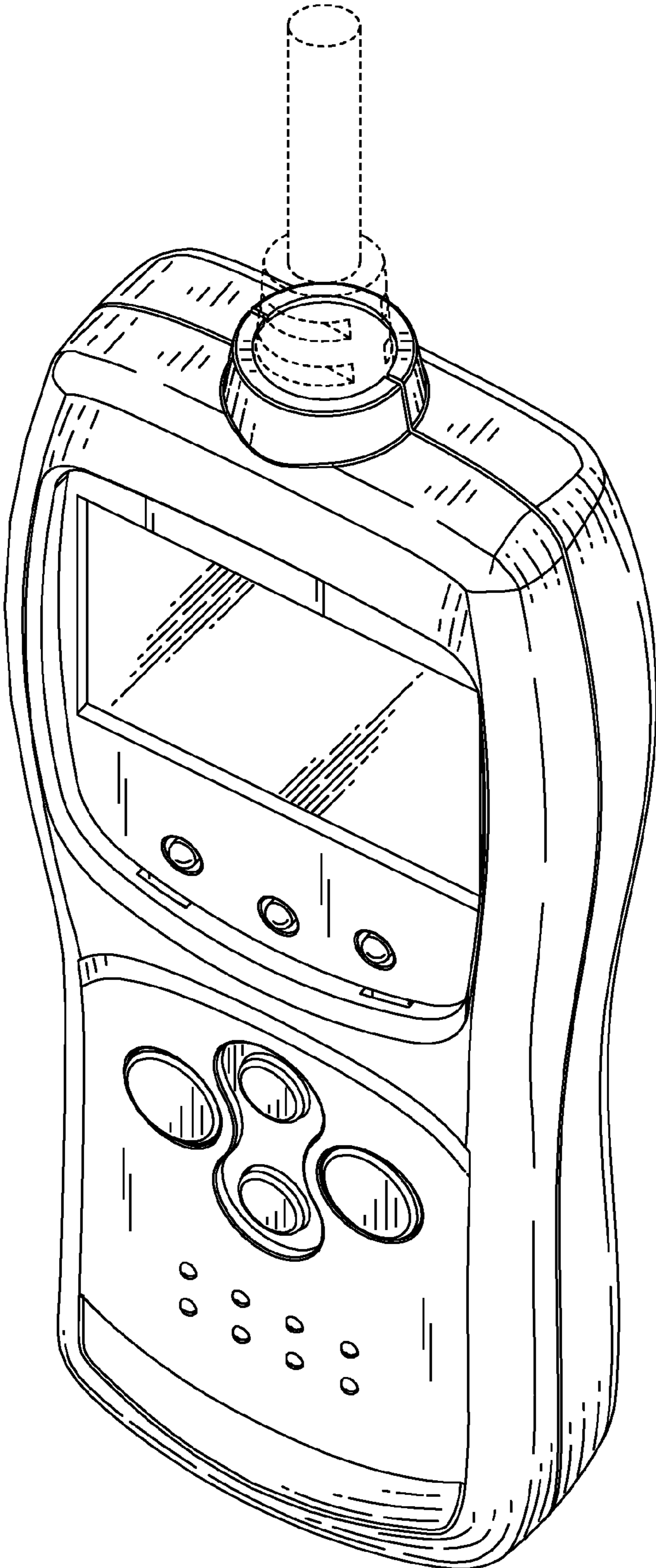
**DESCRIPTION**

FIG. 1 is a front perspective view of the invention;  
FIG. 2 is a top view of the invention;  
FIG. 3 is a side view of the invention;  
FIG. 4 is a front view of the invention;  
FIG. 5 is a bottom view of the invention; and,  
FIG. 6 is a rear view of the invention.

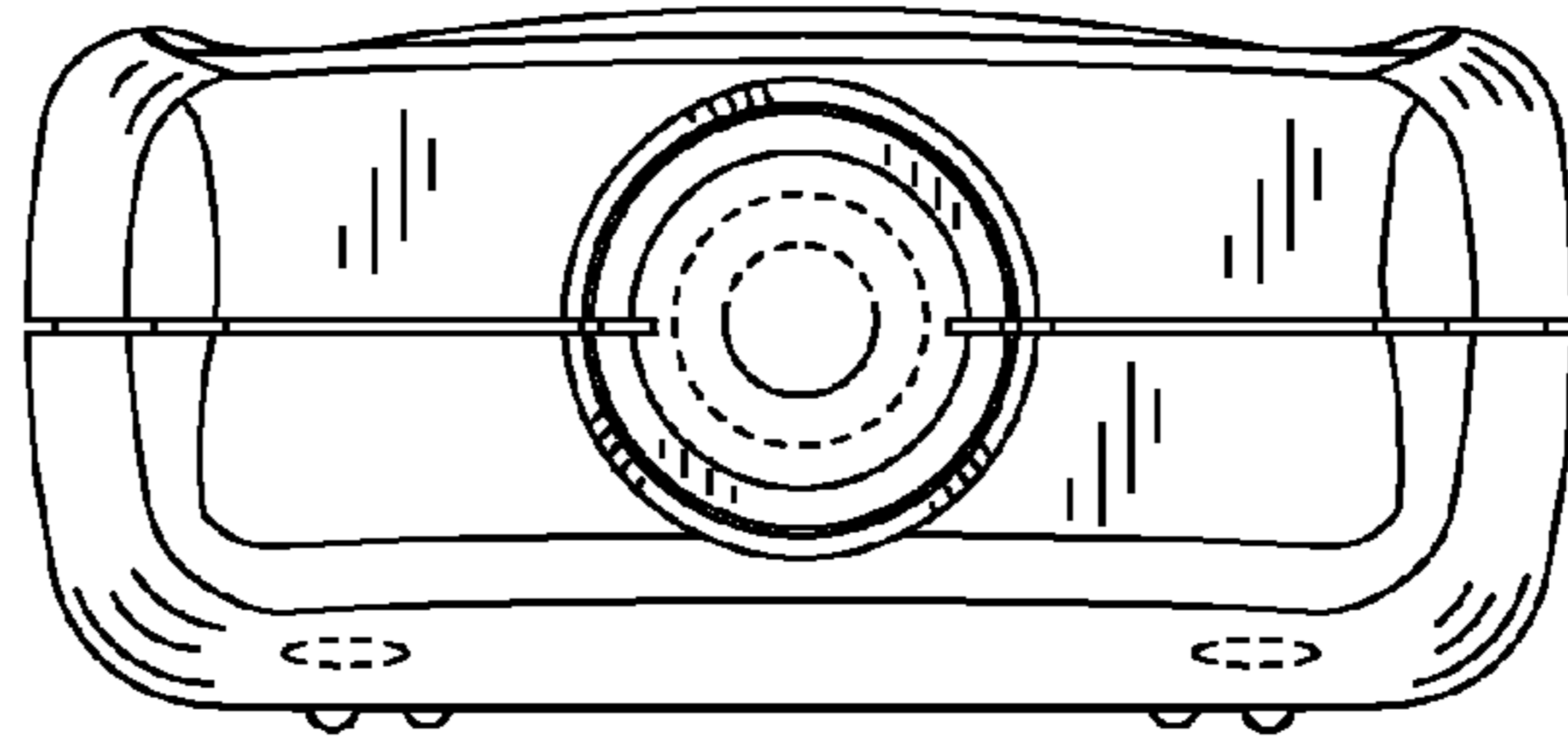
The broken line showing of structural feature is included for the purpose of illustrating non-claimed subject matter and forms no part of the claimed design.

**1 Claim, 3 Drawing Sheets**

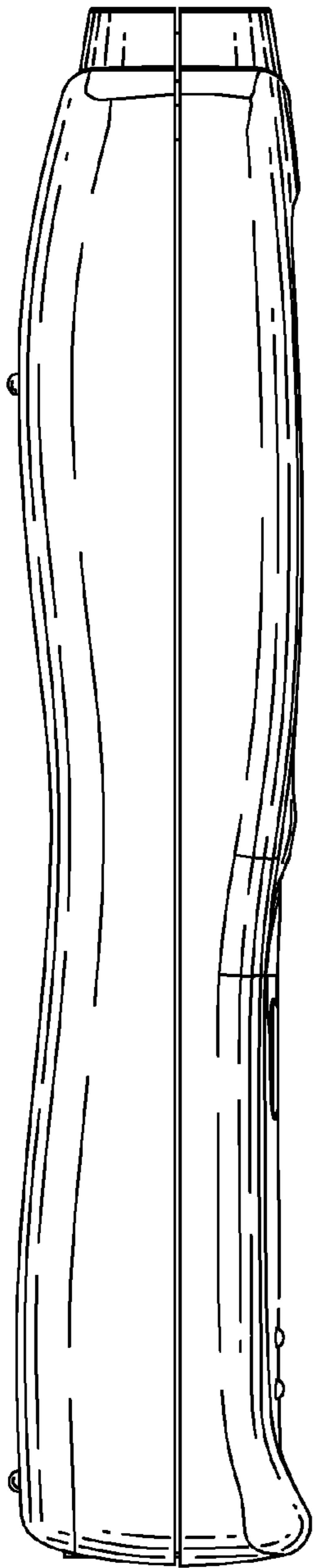




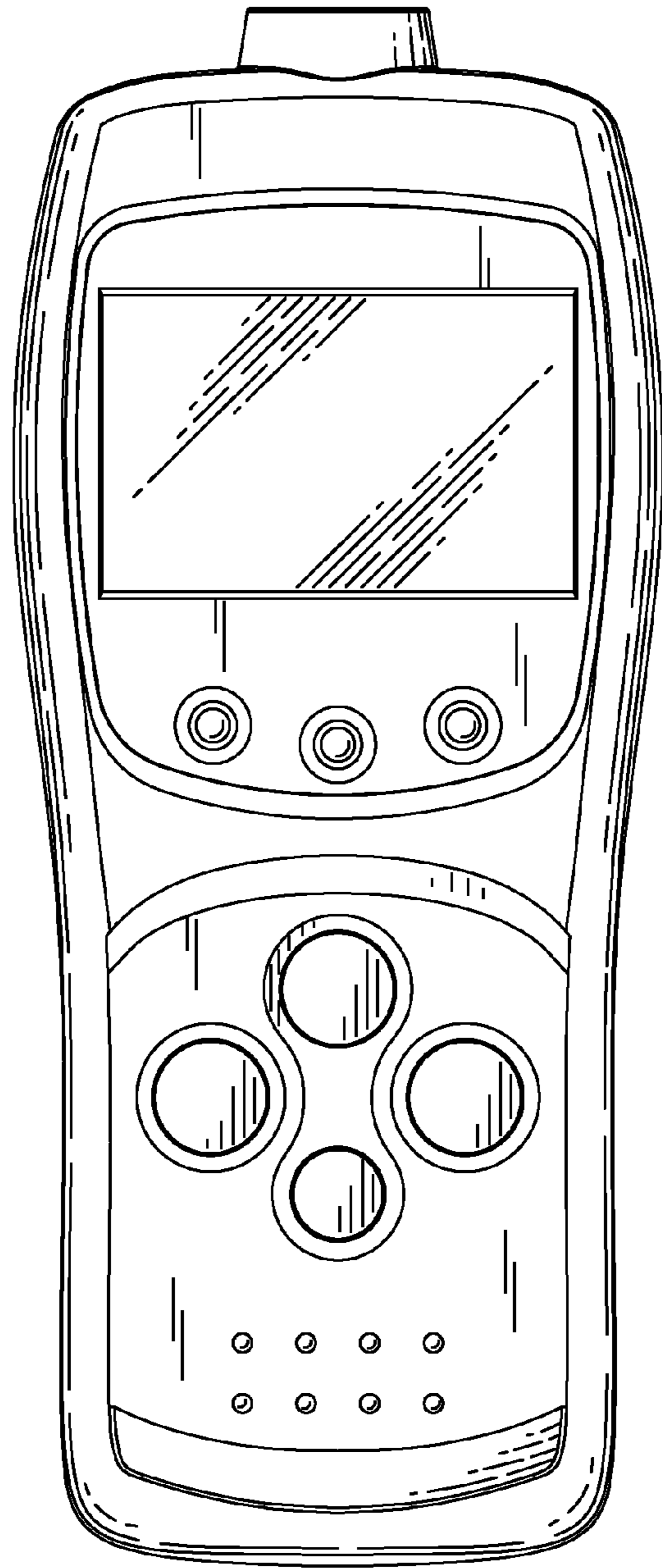
*Fig. 1*



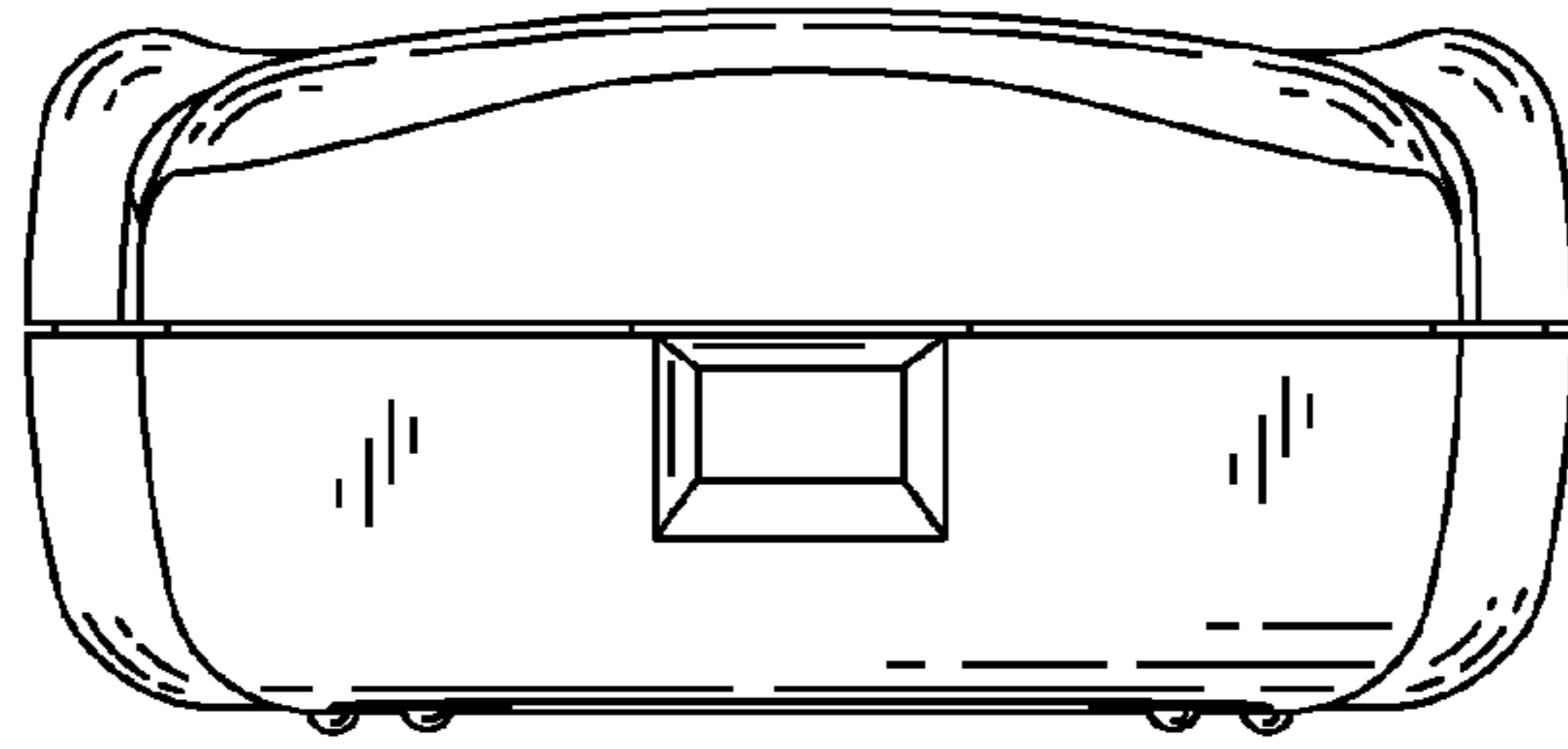
*Fig. 2*



*Fig. 3*



*Fig. 4*



*Fig. 5*



*Fig. 6*