



US00D625631S

(12) **United States Design Patent**
Ben-Josef et al.

(10) **Patent No.:** **US D625,631 S**
(45) **Date of Patent:** **** Oct. 19, 2010**

(54) **SINGLE SIDED SPIRIT LEVEL**

(75) Inventors: **Rafi Ben-Josef**, Bikat Beit Hakerem (IL); **Shahar Harari**, Tel Avi (IL); **Yossi Palatshe**, Tiberias (IL); **Amy Levinson**, D. N. Upper Galilee 1 (IL)

(73) Assignee: **Kapro Industries, Ltd.** (IL)

(**) Term: **14 Years**

(21) Appl. No.: **29/347,741**

(22) Filed: **May 5, 2010**

(51) **LOC (9) Cl.** **10-04**

(52) **U.S. Cl.** **D10/69**

(58) **Field of Classification Search** D10/69;
33/365, 366.11–366.27, 367–391

See application file for complete search history.

(56) **References Cited**

U.S. PATENT DOCUMENTS

2,453,091	A	11/1948	Holloway et al.	
D348,619	S *	7/1994	Hansen	D10/69
D360,371	S *	7/1995	O'Hare et al.	D10/69
D365,768	S *	1/1996	Rodriguez	D10/69

(Continued)

OTHER PUBLICATIONS

Kapro Industries LTD I-Beam Levels Products Page, *Kapro Industries Ltd.*, available at http://www.kapro.com/SubCat.asp?parent=2&cat_id=8, on Aug. 16, 2010, 1 page.

Primary Examiner—Antoine D Davis

(74) *Attorney, Agent, or Firm*—Hershkovitz & Associates, LLC; Harold L. Novick

(57) **CLAIM**

The ornamental design for a single sided spirit level, substantially as shown and described.

DESCRIPTION

FIG. 1 is a front perspective view of a single sided spirit level including a main body, a central horizontal bubble vial housing, a left handgrip, a right handgrip, a left end cap, a right end cap and a left side vertical bubble vial housing;

FIG. 2 is a front elevation view of the spirit level of FIG. 1;

FIG. 3 is a top plan view of the spirit level of FIG. 1;

FIG. 4 is a left elevation view of the spirit level of FIG. 1.

FIG. 5 is a bottom plan view of the spirit level of FIG. 1;

FIG. 6 is a rear elevation view of the spirit level of FIG. 1;

FIG. 7 is right elevation view of the spirit level of FIG. 1;

FIG. 8 is a close up front perspective view of the central horizontal bubble vial housing of the spirit level of FIG. 1;

FIG. 9 is a close up front elevation view of the central horizontal bubble vial housing of FIG. 8;

FIG. 10 is a close up front perspective view of the left end cap of the spirit level of FIG. 1;

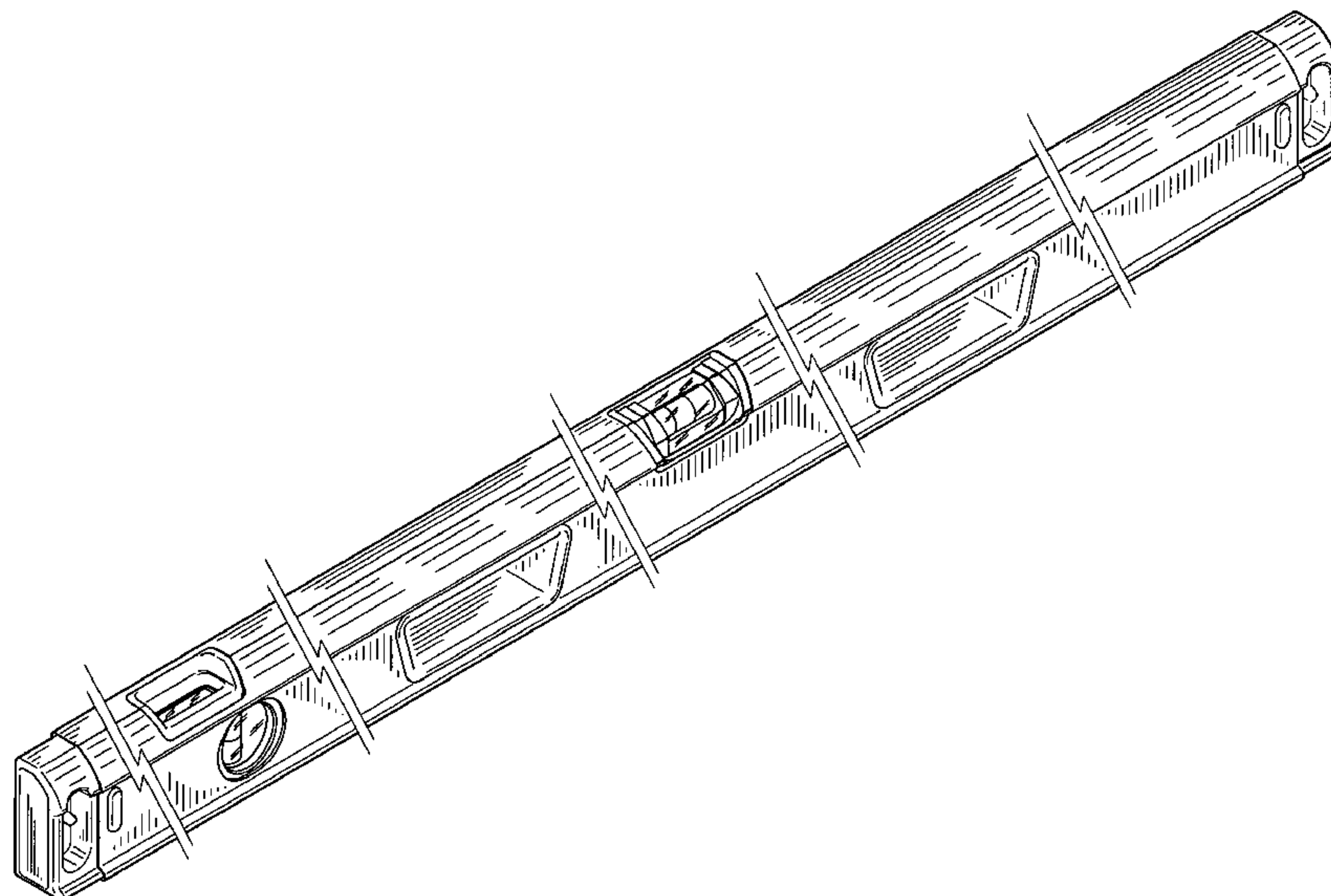
FIG. 11 is a close up front elevation view of the end cap of FIG. 10;

FIG. 12 is a close up front perspective view of a handgrip of the spirit level of FIG. 1; and,

FIG. 13 is a close up front elevation view of the handgrip of FIG. 12.

The broken lines along the main body of the spirit level in FIGS. 1, 2, 4, 5 and 6 indicate that the lengths between the horizontal bubble vial housing and its adjacent handgrips, an end cap and its adjacent handgrip, and the left end cap and the left side vertical bubble vial housing can vary from the lengths shown in FIG. 1 according to the overall length of the spirit level; the broken lines form no part of the claimed design.

1 Claim, 6 Drawing Sheets



US D625,631 S

Page 2

U.S. PATENT DOCUMENTS

D459,251 S	6/2002	Scheyer	D526,224 S	8/2006	Kim
6,418,634 B1	7/2002	Szumer	7,228,637 B2	6/2007	Kim
D468,221 S	1/2003	Greaves et al.	D546,214 S *	7/2007	Schwartz et al. D10/69
D479,139 S	9/2003	Kallabis et al.	D555,523 S	11/2007	Nickel et al.
D498,152 S	11/2004	Hickey	D563,808 S *	3/2008	Schwartz et al. D10/69
D503,636 S *	4/2005	Kim D10/69	D573,908 S	7/2008	Levinson
D513,391 S	1/2006	Kim	D598,308 S	8/2009	Gofer
D518,745 S	4/2006	Kim	D598,309 S	8/2009	Gofer
D518,746 S	4/2006	Kim	D607,351 S	1/2010	Gofer
D521,399 S	5/2006	Johnson et al.	2005/0039341 A1	2/2005	Hickey

* cited by examiner

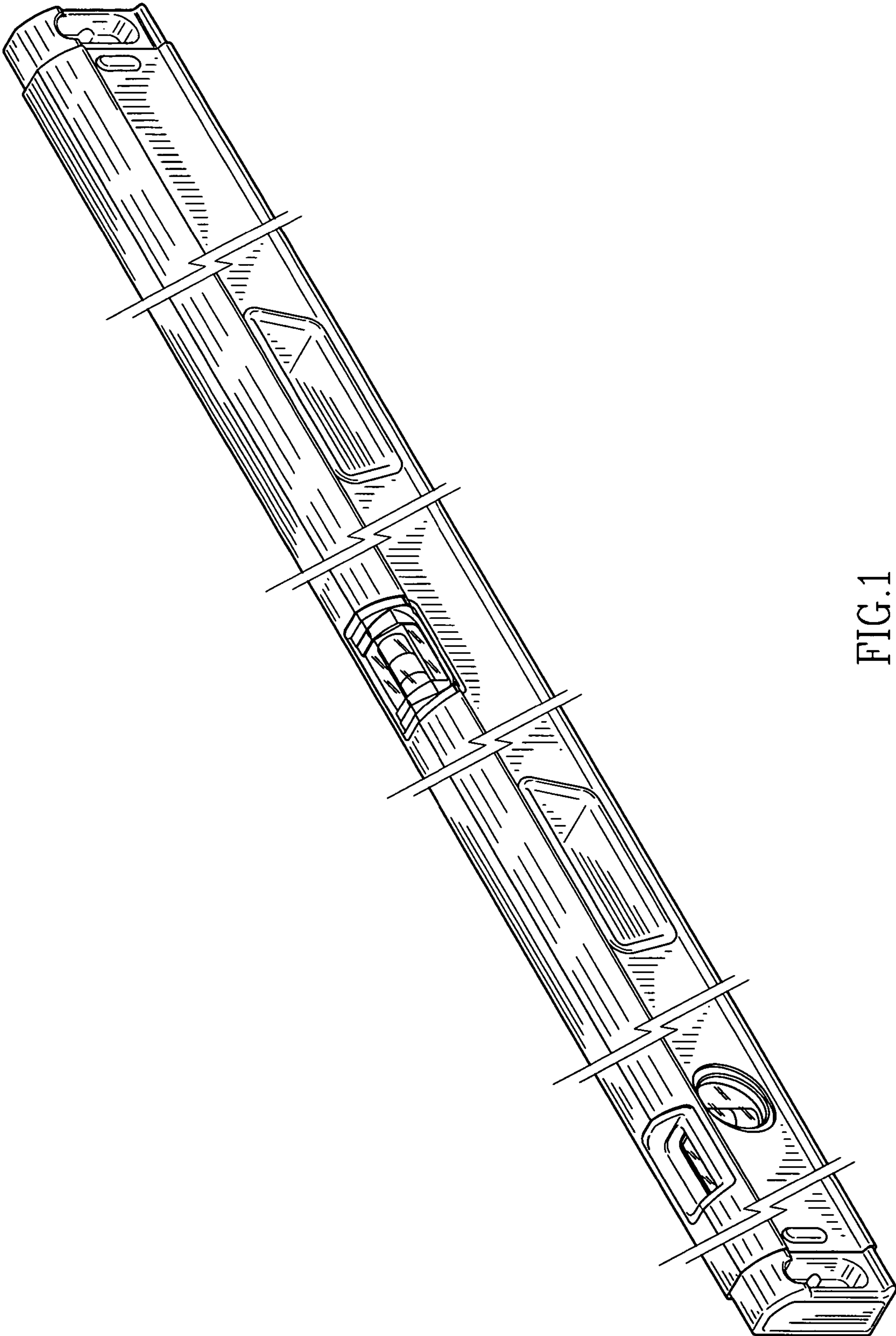


FIG.1

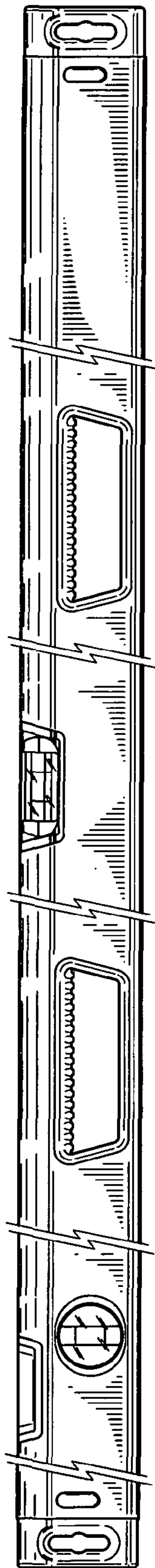


FIG. 2

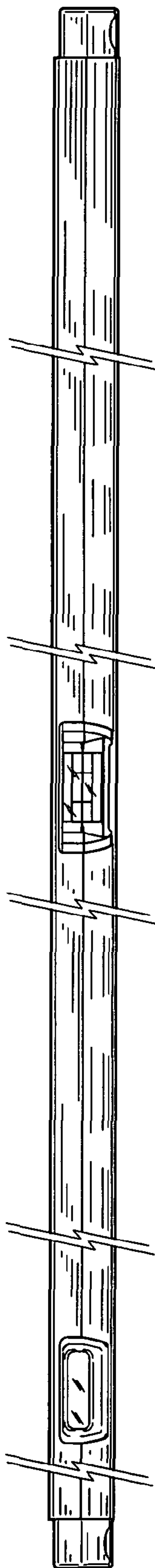


FIG. 3

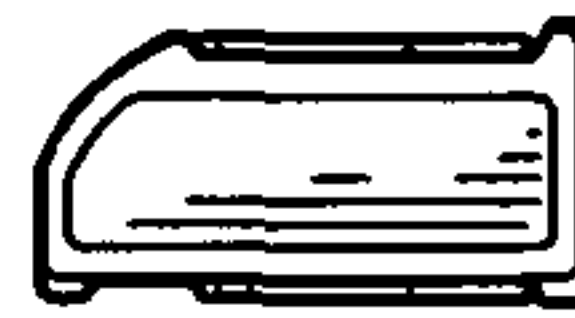


FIG. 4

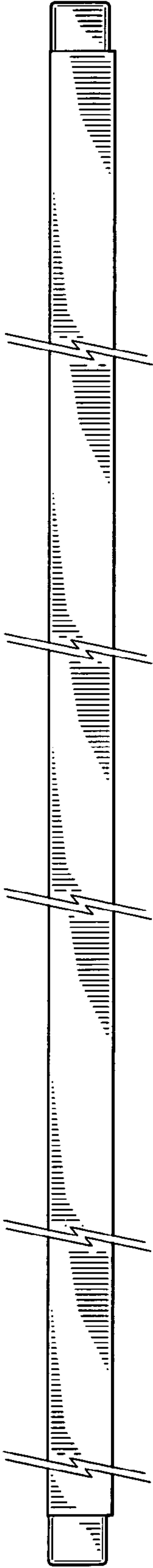


FIG. 5

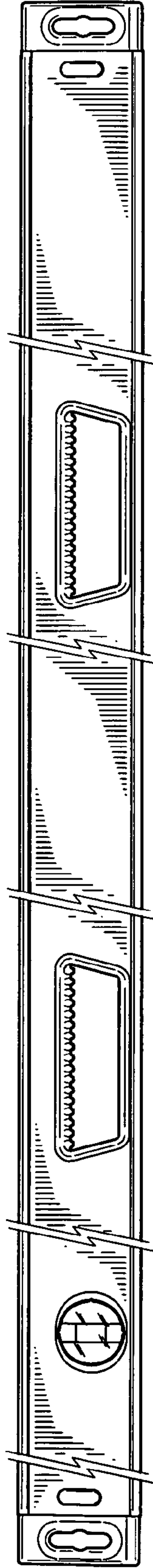


FIG. 6



FIG. 7

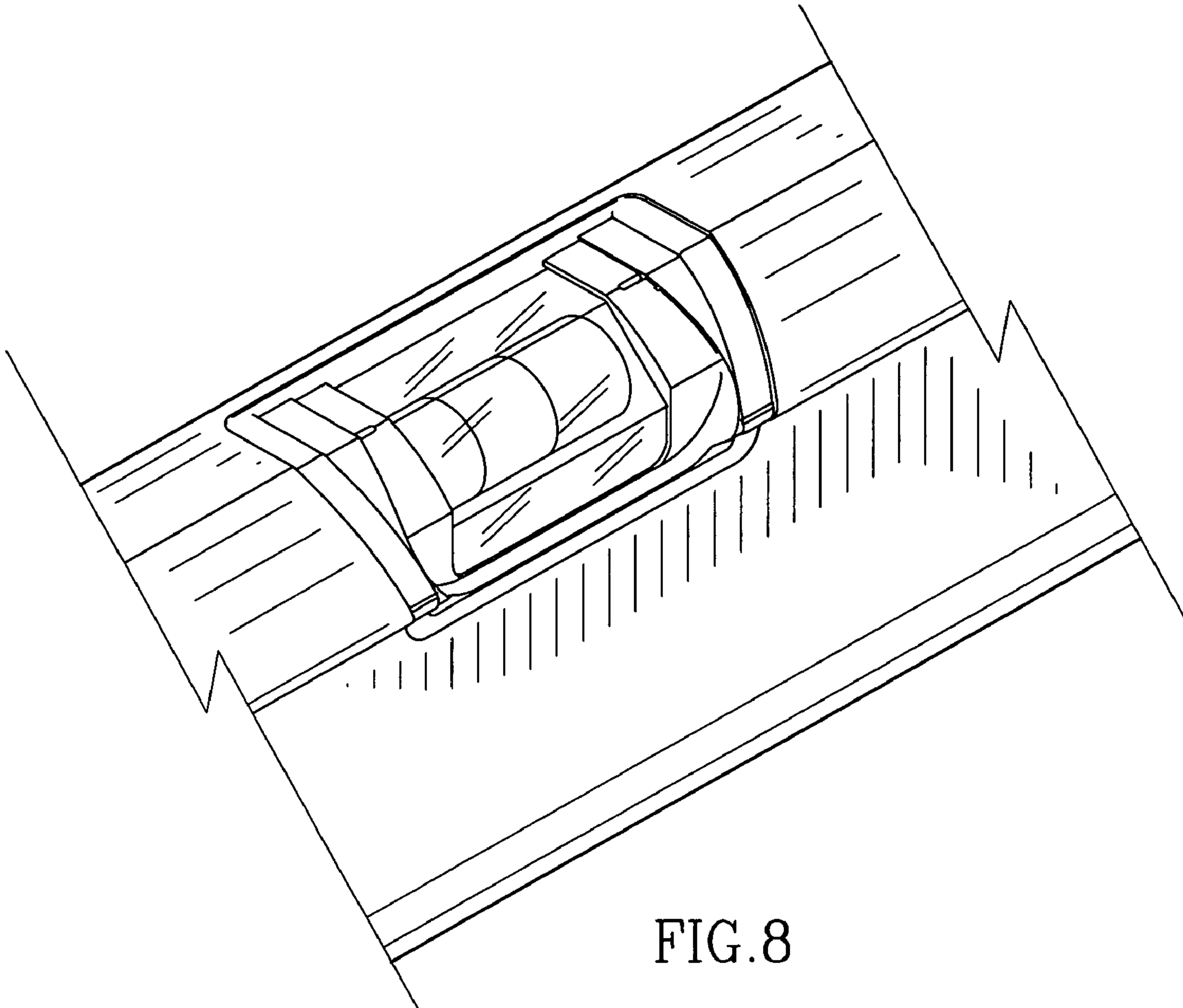


FIG. 8

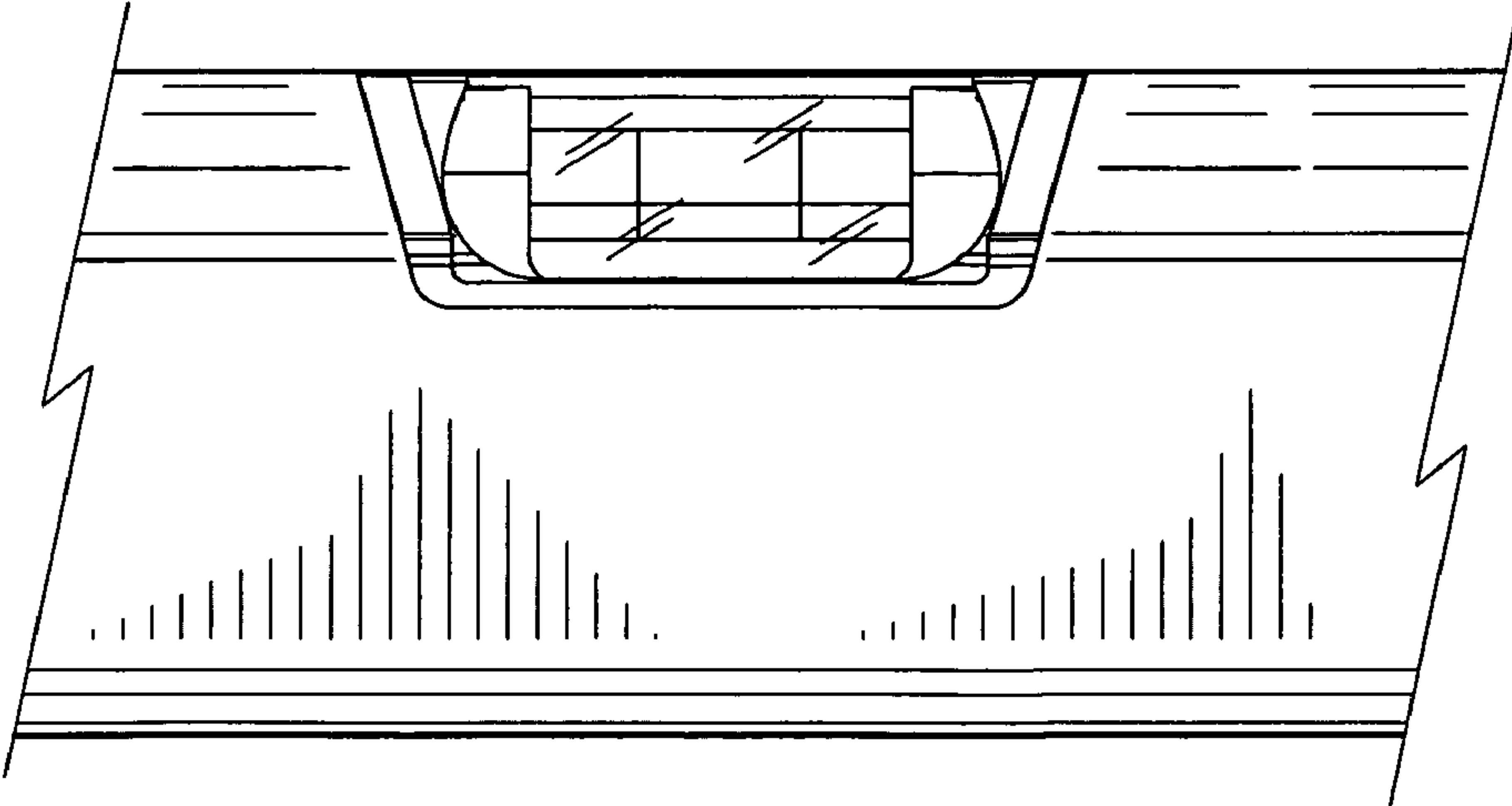


FIG. 9

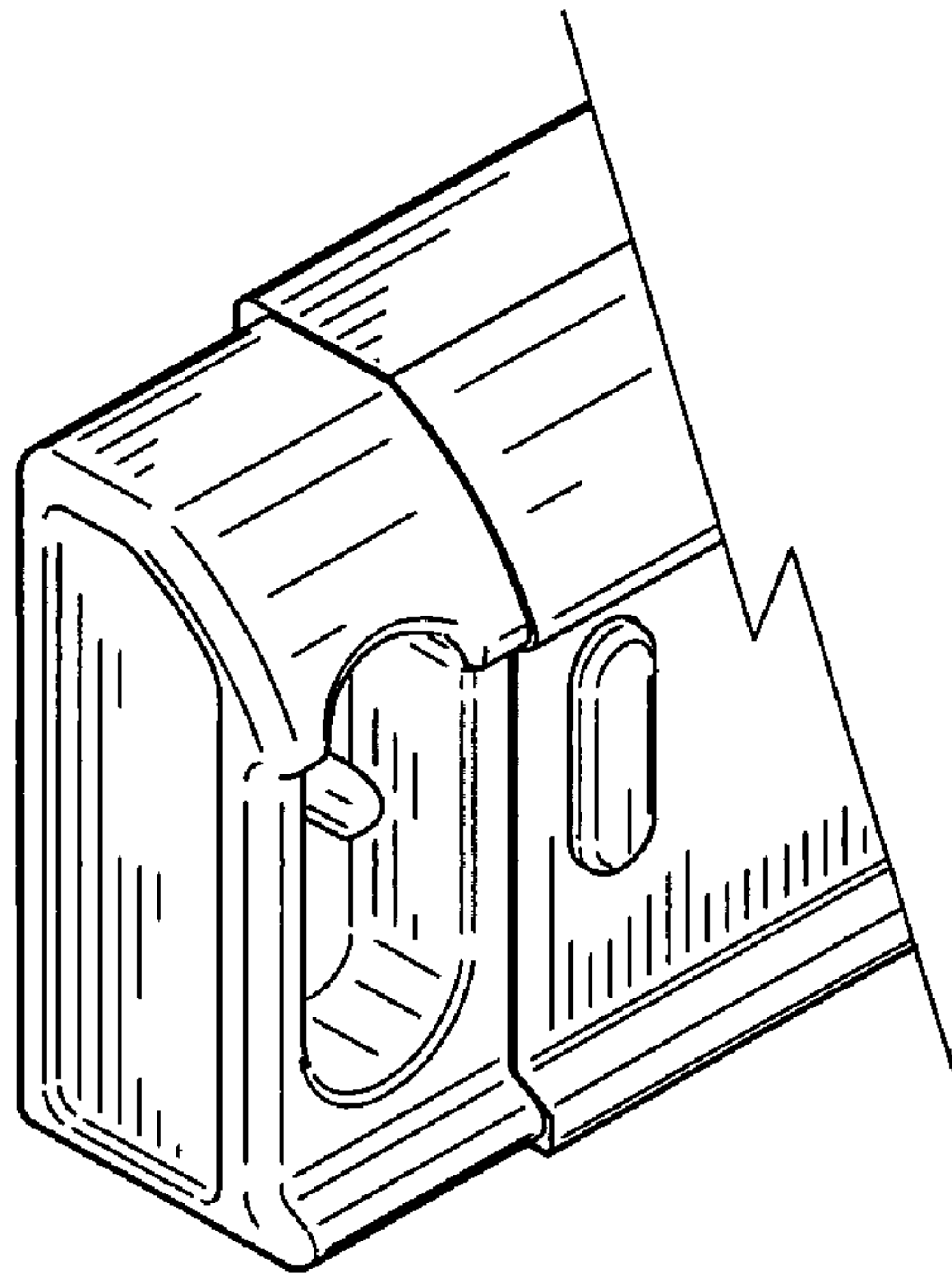


FIG.10

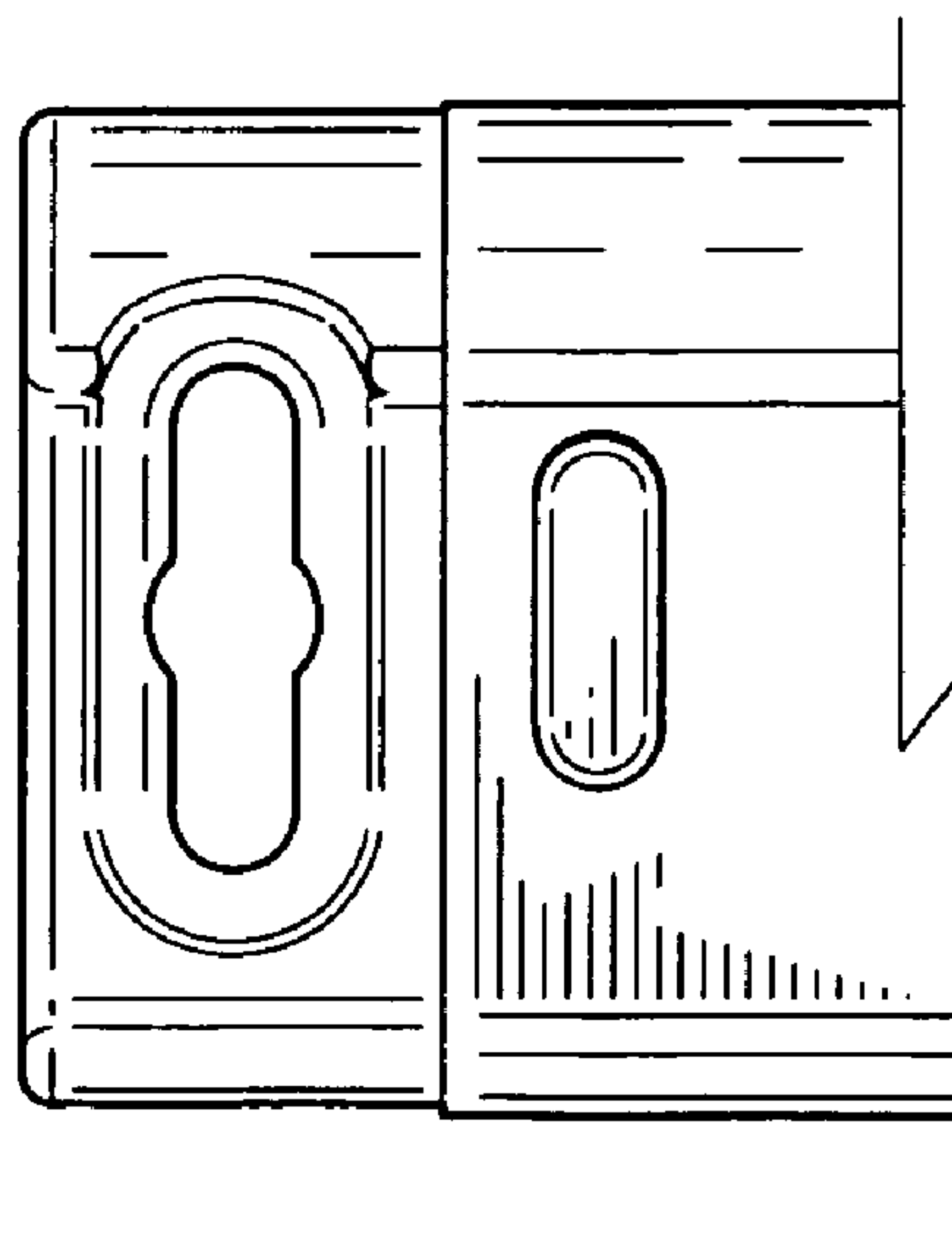


FIG.11

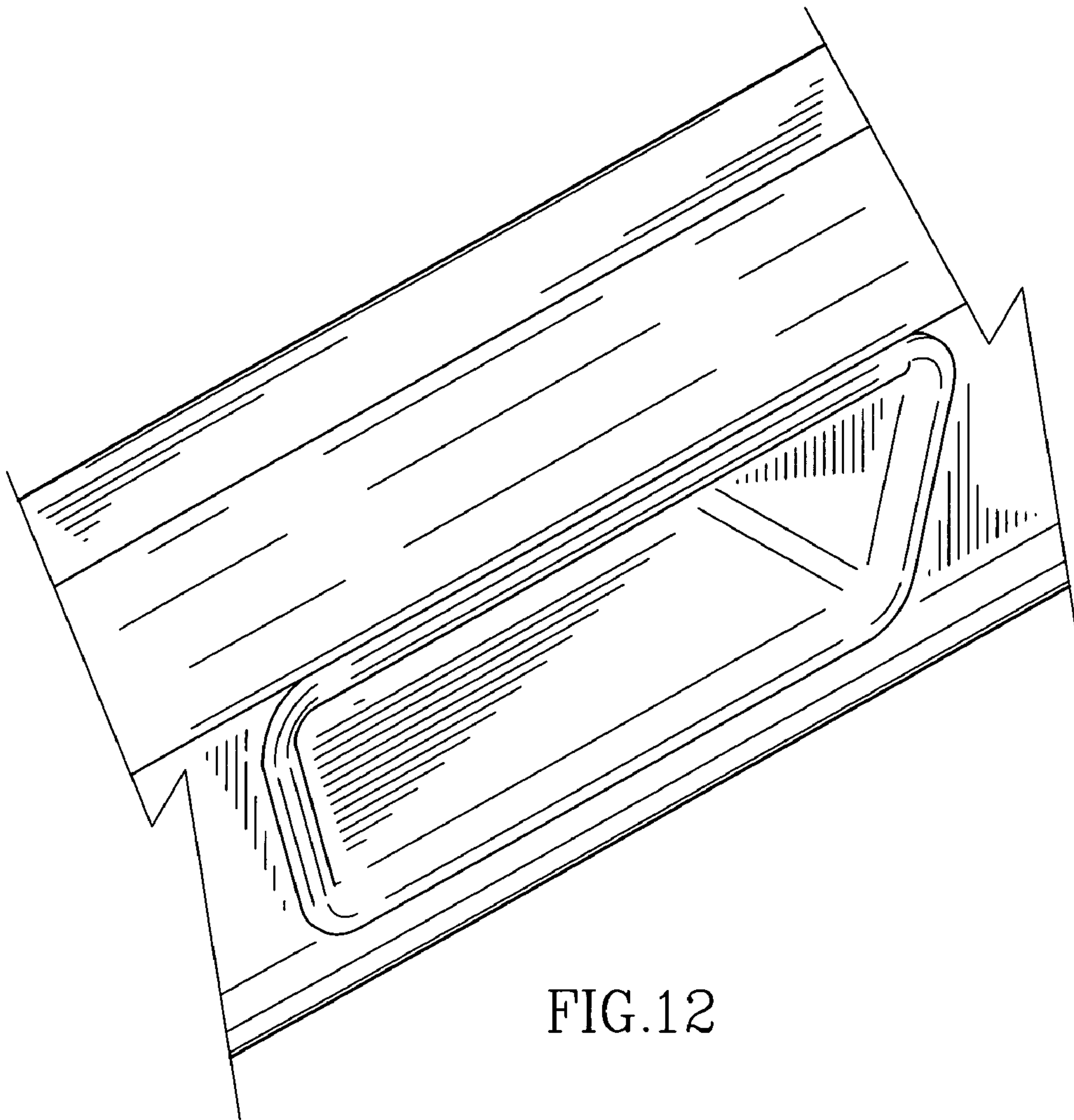


FIG. 12

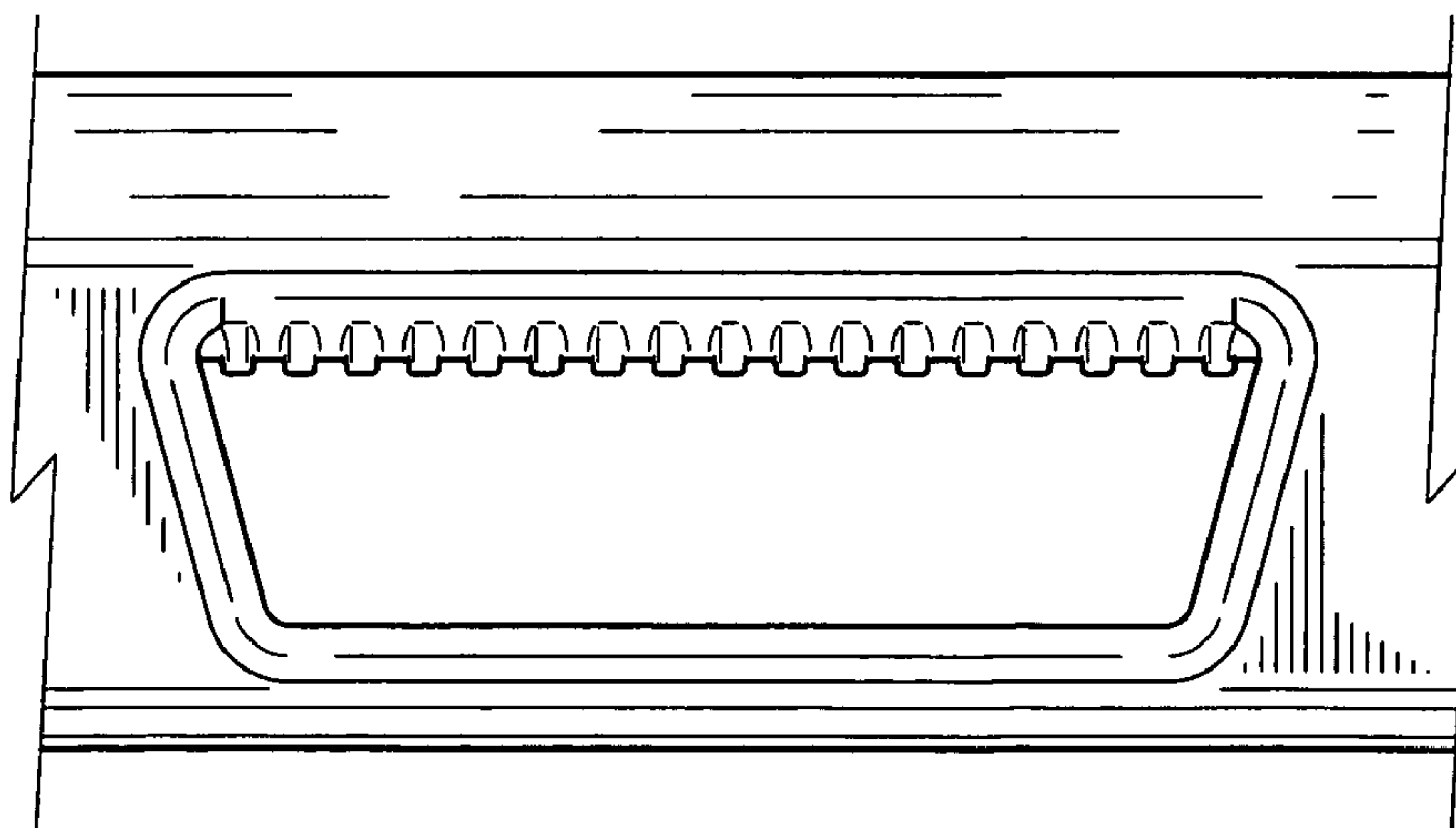


FIG. 13