



US00D625630S

(12) **United States Design Patent**
Levinson

(10) **Patent No.:** **US D625,630 S**
(45) **Date of Patent:** **** Oct. 19, 2010**

(54) **TORPEDO LEVEL**
(75) Inventor: **Amy Levinson**, Upper Galilee (IL)
(73) Assignee: **Kapro Industries, Ltd.** (IL)
(**) Term: **14 Years**
(21) Appl. No.: **29/347,714**
(22) Filed: **Apr. 19, 2010**

D521,882 S 5/2006 Kim
7,152,335 B2 12/2006 Nichols
D582,302 S 12/2008 Johnson et al.
D597,872 S * 8/2009 Gofer D10/69
D597,873 S 8/2009 Gofer

FOREIGN PATENT DOCUMENTS

GB 2 210 167 6/1989
GB 2 259 570 3/1993

* cited by examiner

Primary Examiner—Antoine D Davis

(74) *Attorney, Agent, or Firm*—Hershkovitz & Associates, LLC; Harold L. Novick

(51) **LOC (9) Cl.** **10-04**
(52) **U.S. Cl.** **D10/69**
(58) **Field of Classification Search** D10/69;
33/365, 366.11–366.27, 367–391
See application file for complete search history.

(57) **CLAIM**

The ornamental design for a torpedo level, as shown and described.

(56) **References Cited**

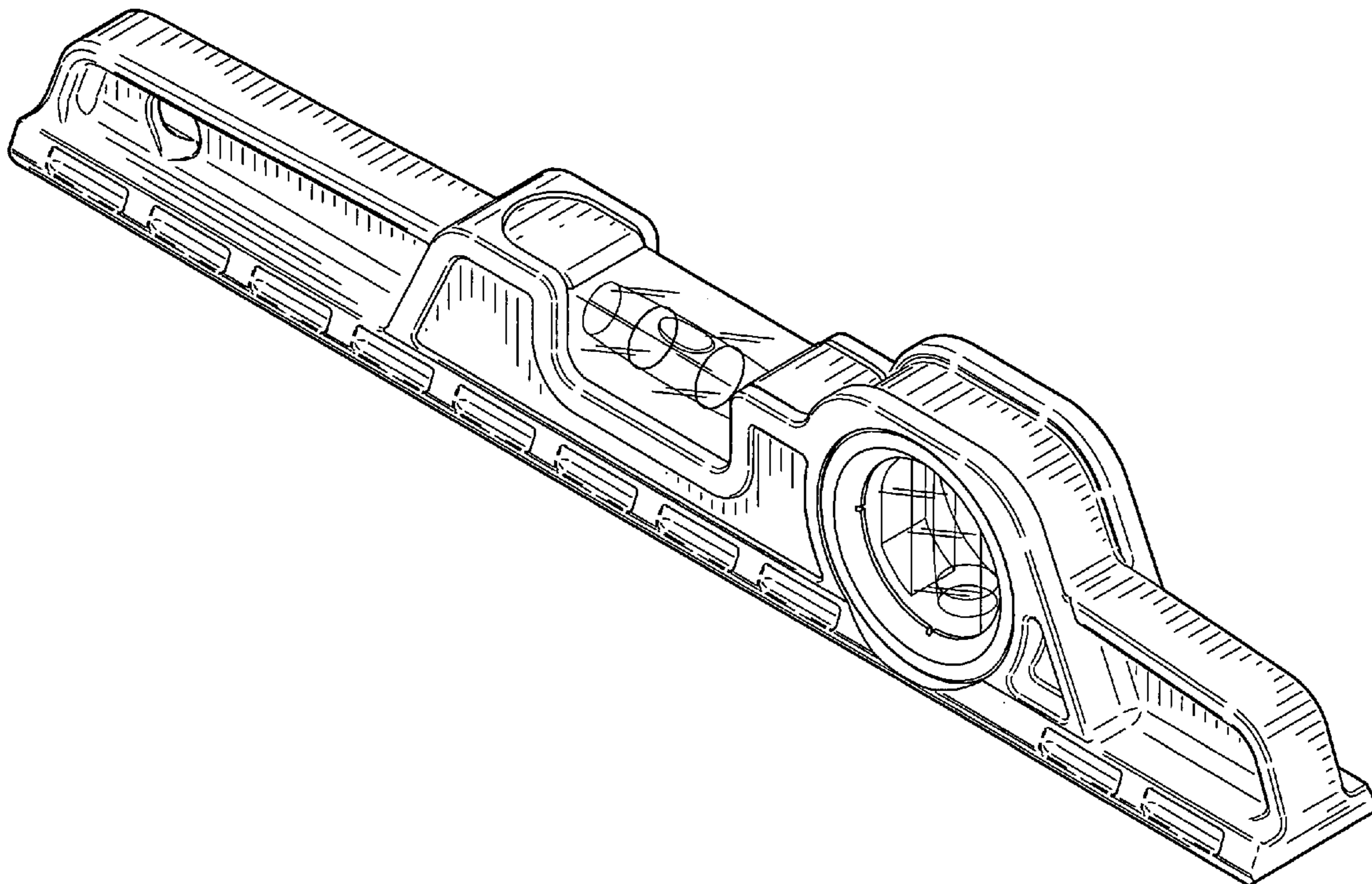
U.S. PATENT DOCUMENTS

3,225,451 A 12/1965 Olexson et al.
3,878,617 A 4/1975 West et al.
4,068,386 A 1/1978 Streeter
4,109,392 A 8/1978 Streeter
D332,226 S 1/1993 Hutchins et al.
D415,436 S 10/1999 Martone
6,243,957 B1 6/2001 Gruetzmacher, Jr. et al.
D469,370 S 1/2003 Gruetzmacher et al.
D472,168 S 3/2003 Levinson
6,568,095 B2 5/2003 Snyder
D498,686 S 11/2004 Levinson et al.
D503,635 S * 4/2005 Kallabis D10/69
D513,198 S 12/2005 Levinson

DESCRIPTION

FIG. 1 is a perspective view of a torpedo level;
FIG. 2 is a front elevation view of the torpedo level of FIG. 1;
FIG. 3 is a top plan view of the torpedo level of FIG. 1;
FIG. 4 is a rear elevation view of the torpedo level of FIG. 1;
FIG. 5 is a bottom plan view of the torpedo level of FIG. 1;
FIG. 6 is left elevation view of the torpedo level of FIG. 1;
and,
FIG. 7 is a right elevation view of the torpedo level of FIG. 1.

1 Claim, 4 Drawing Sheets



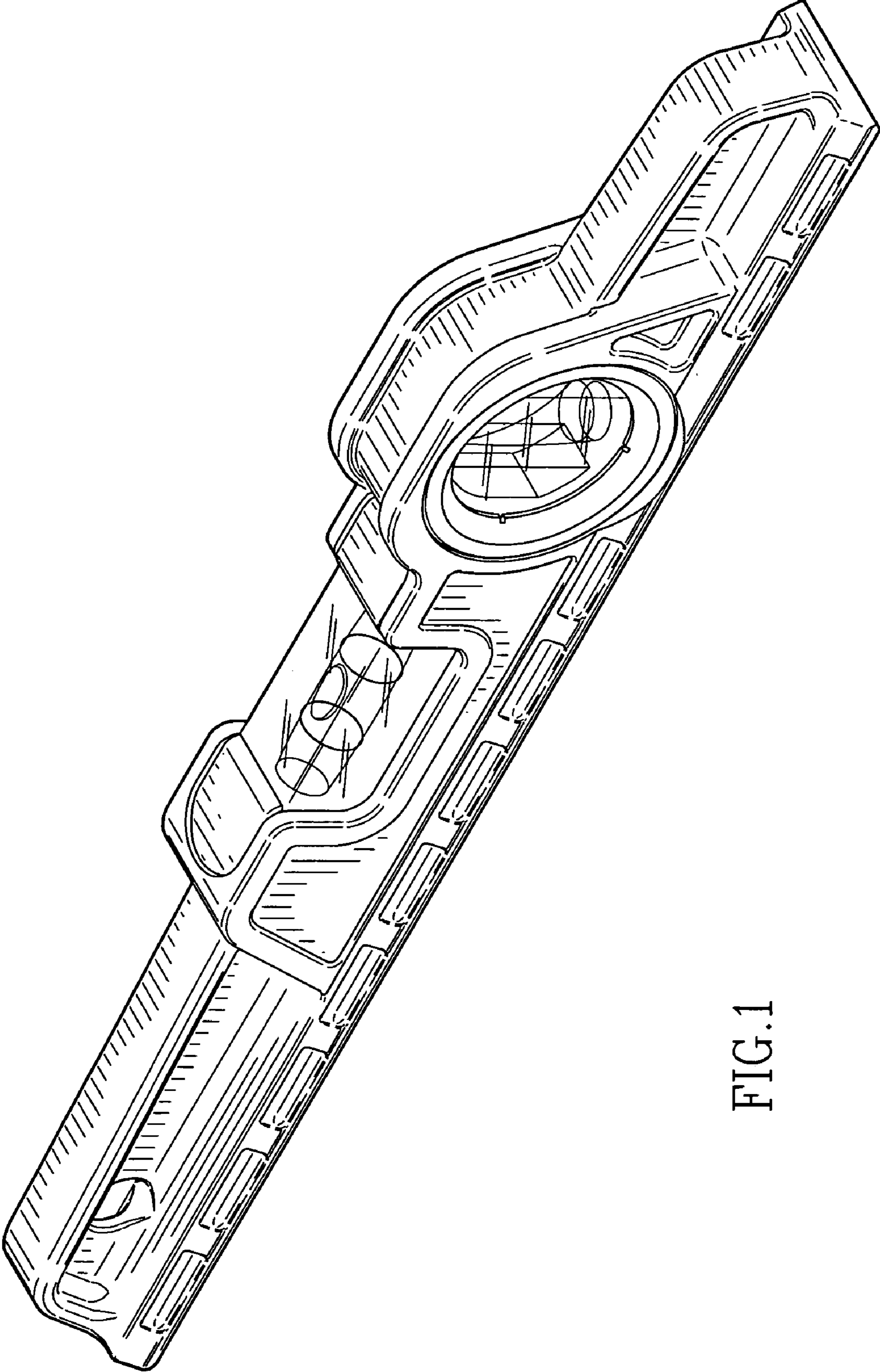


FIG.1

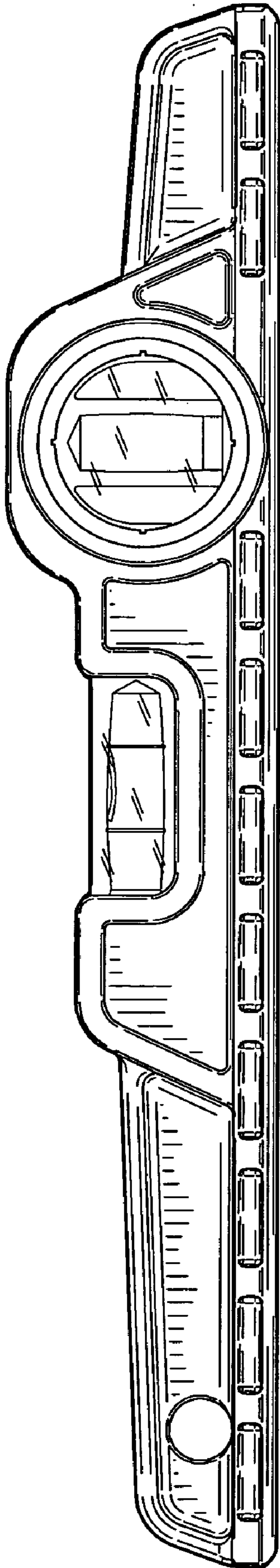


FIG. 2

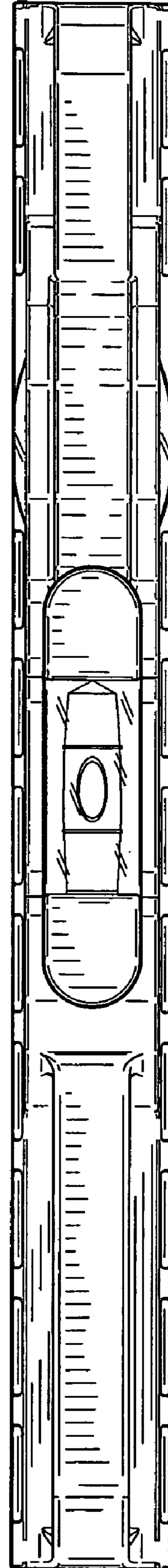


FIG. 3

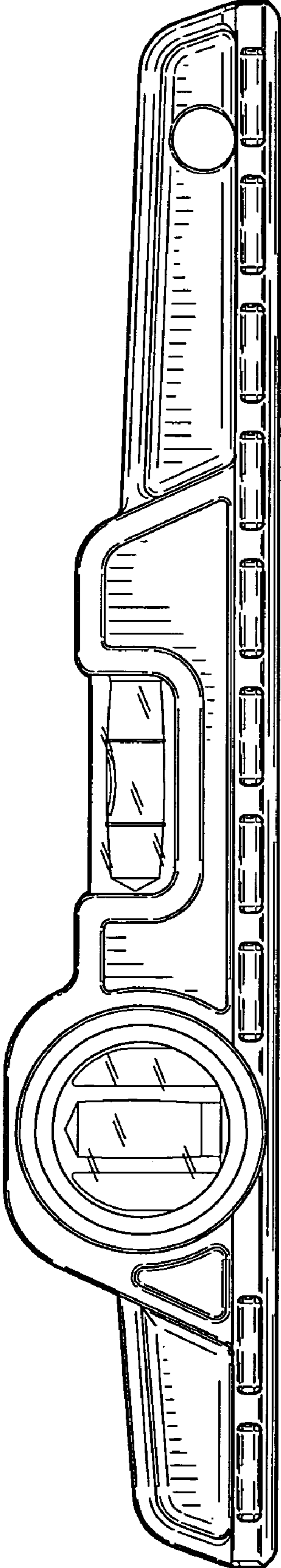


FIG. 4

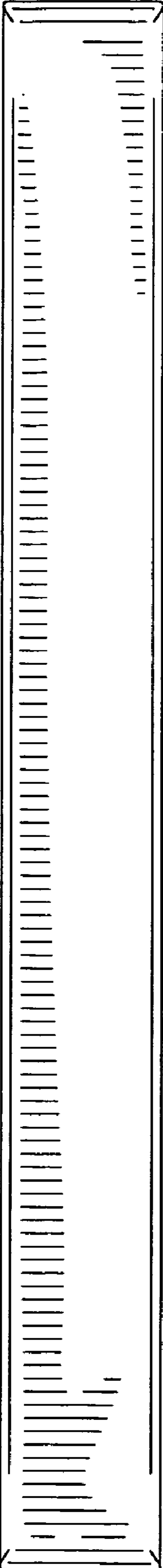


FIG. 5

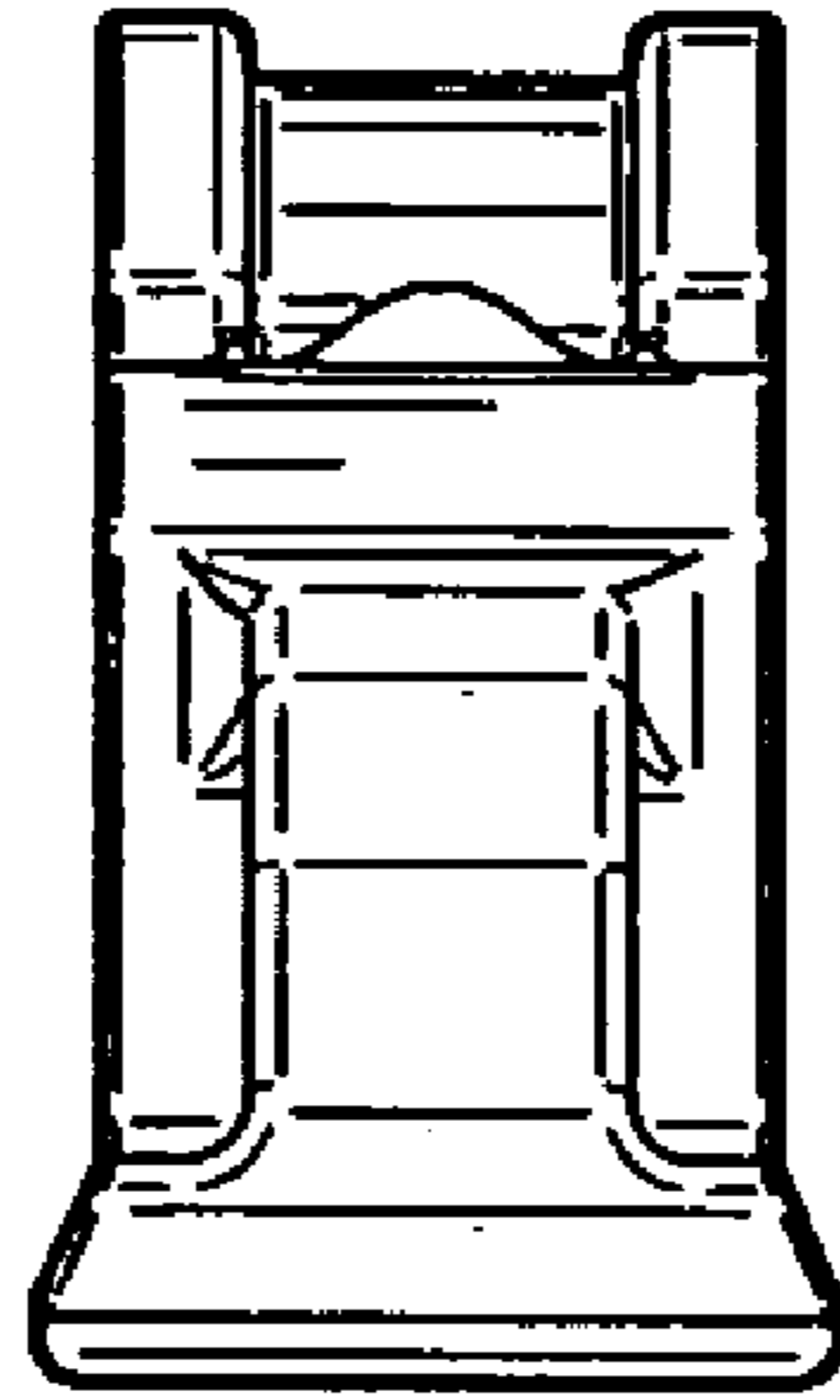


FIG. 6

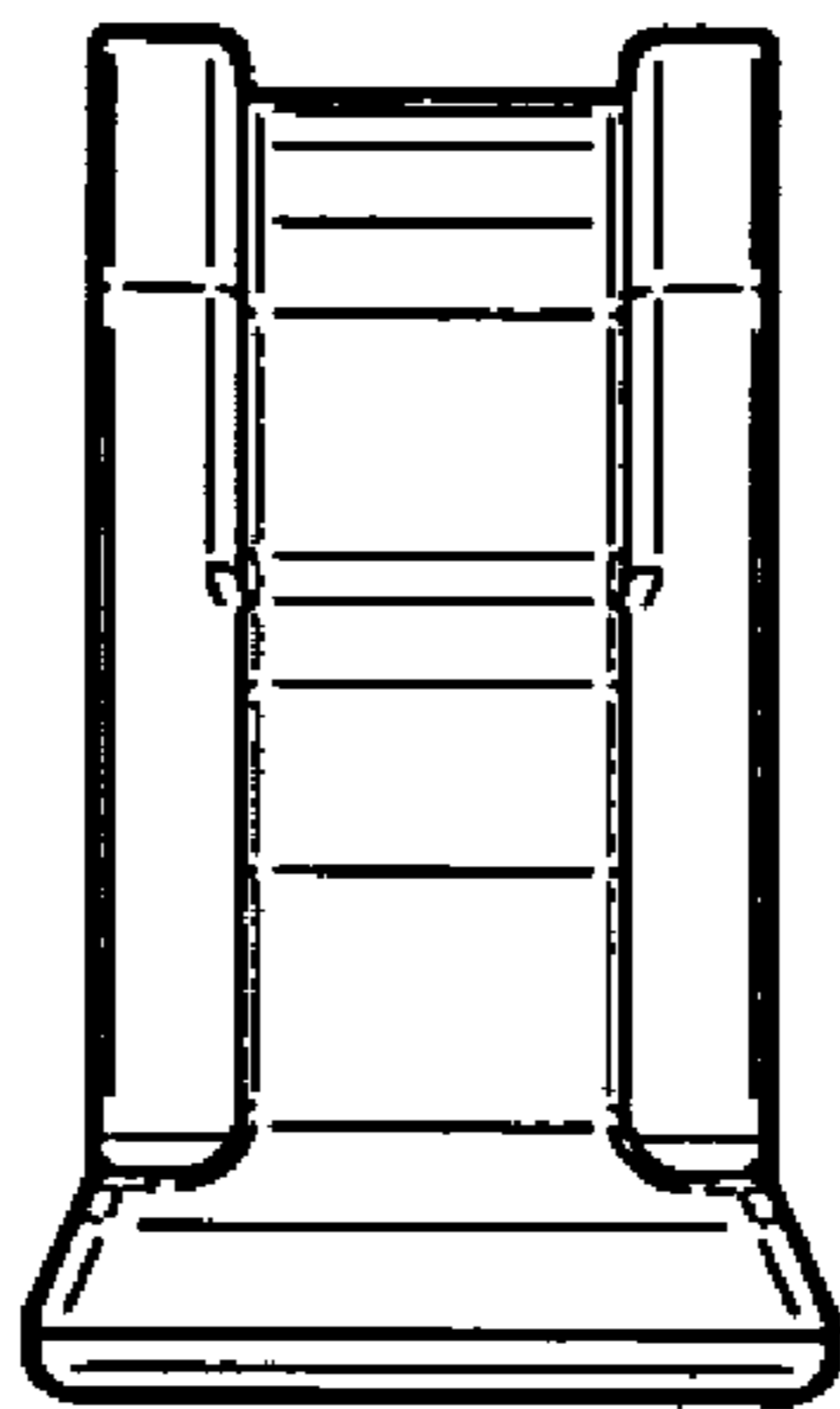


FIG. 7