



US00D625628S

(12) **United States Design Patent**
McAlpine et al.

(10) **Patent No.:** **US D625,628 S**
(45) **Date of Patent:** **** Oct. 19, 2010**

(54) **SKIN FOR A NAVIGATION SYSTEM**

(75) Inventors: **Ken McAlpine**, Hampton (GB); **Martin Riddiford**, London (GB)

(73) Assignee: **TomTom International B.V.**, Amsterdam (NL)

(**) Term: **14 Years**

(21) Appl. No.: **29/348,044**

(22) Filed: **Nov. 21, 2009**

(30) **Foreign Application Priority Data**

Aug. 27, 2009 (EM) 001605007-0001

(51) **LOC (9) Cl.** **10-04**

(52) **U.S. Cl.** **D10/65**

(58) **Field of Classification Search** D10/65;
D14/341, 344, 507, 138 R, 138 AA, 203.3,
D14/203.4, 203.5, 203.7; 342/386, 351,
342/419, 457, 357.06-357.13; 343/702;
345/87, 104, 133, 156, 168, 173, 901-905;
348/180, 184, 315, 739; 364/444, 499; 701/206-209,
701/213, 214

See application file for complete search history.

(56) **References Cited**

U.S. PATENT DOCUMENTS

D543,876 S * 6/2007 Kalis et al. D10/65
D544,381 S * 6/2007 Lammers-Meis et al. D10/65

D563,804 S * 3/2008 Kimura et al. D10/65
D566,588 S * 4/2008 Stevens et al. D10/65
D573,044 S * 7/2008 Kalis et al. D10/65
D574,271 S * 8/2008 Stevens et al. D10/65
D579,801 S * 11/2008 Tan D10/65
D580,803 S * 11/2008 Whittaker D10/65
D585,778 S * 2/2009 Weinschenk D10/65
7,538,723 B2 * 5/2009 Davis et al. 342/357.06
D595,598 S * 7/2009 Stevens et al. D10/65
D611,363 S * 3/2010 Lenz et al. D10/65

* cited by examiner

Primary Examiner—Antoine D Davis

(74) *Attorney, Agent, or Firm*—Harness, Dickey & Pierce, P.L.C.

(57) **CLAIM**

The ornamental design for a skin for a navigation system, as shown and described.

DESCRIPTION

FIG. 1 is an isometric view showing the top, front and side of my invention;

FIG. 2 is a front elevation view of my invention;

FIG. 3 is a back elevation view of my invention;

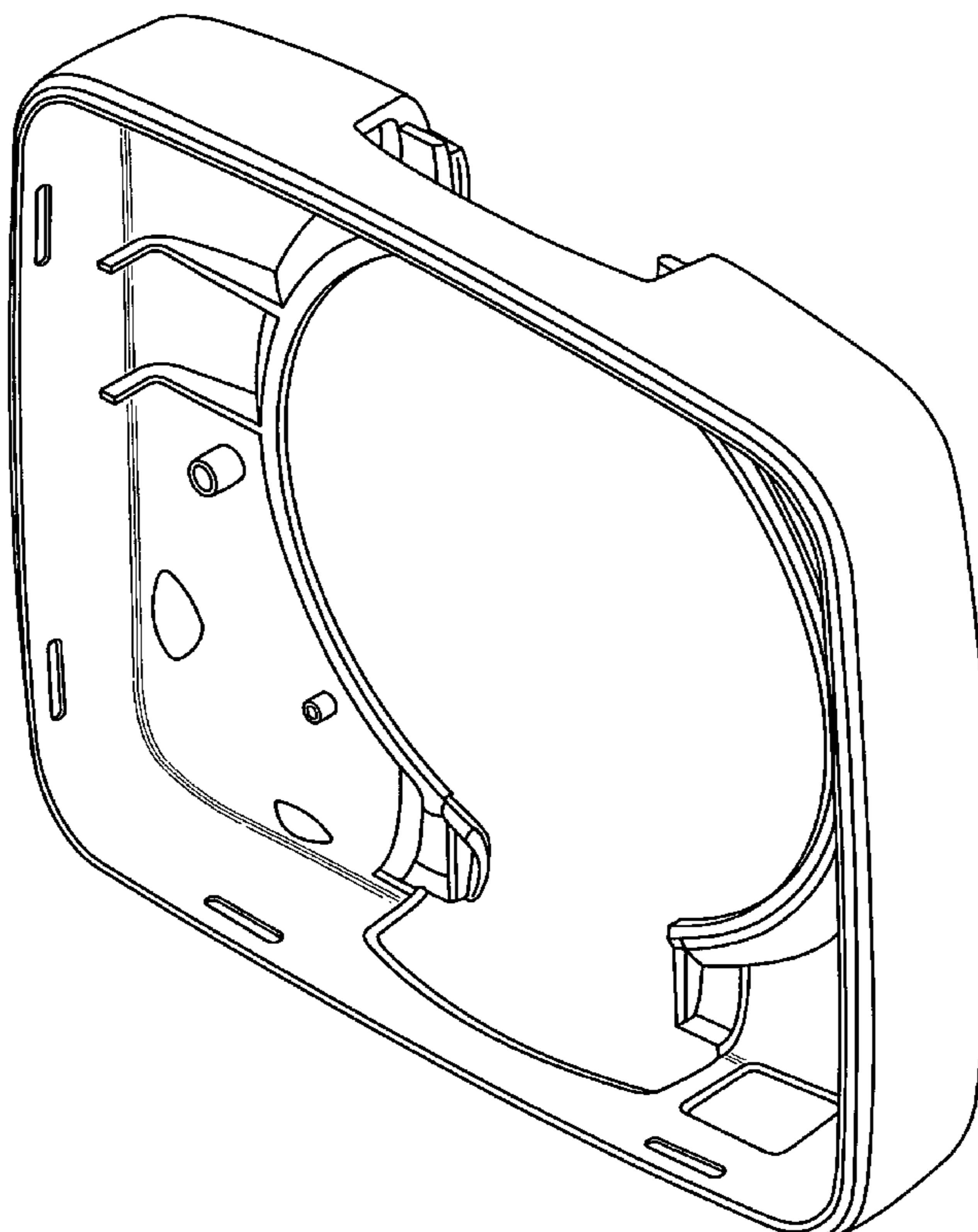
FIG. 4 is a left-side elevation view of my invention;

FIG. 5 is a right-side elevation view of my invention;

FIG. 6 is a top elevation view of my invention; and,

FIG. 7 is a bottom elevation view of my invention.

1 Claim, 7 Drawing Sheets



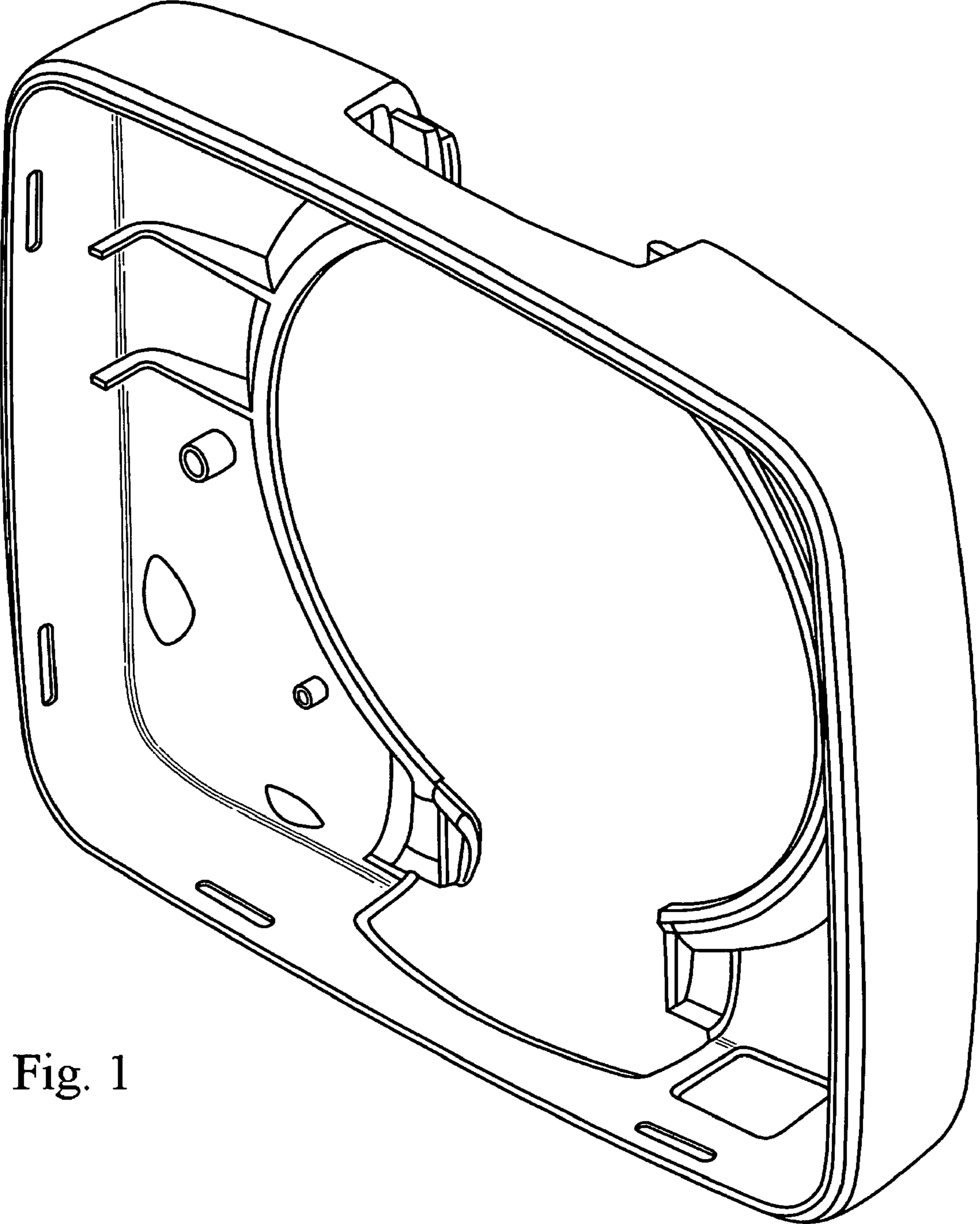


Fig. 1

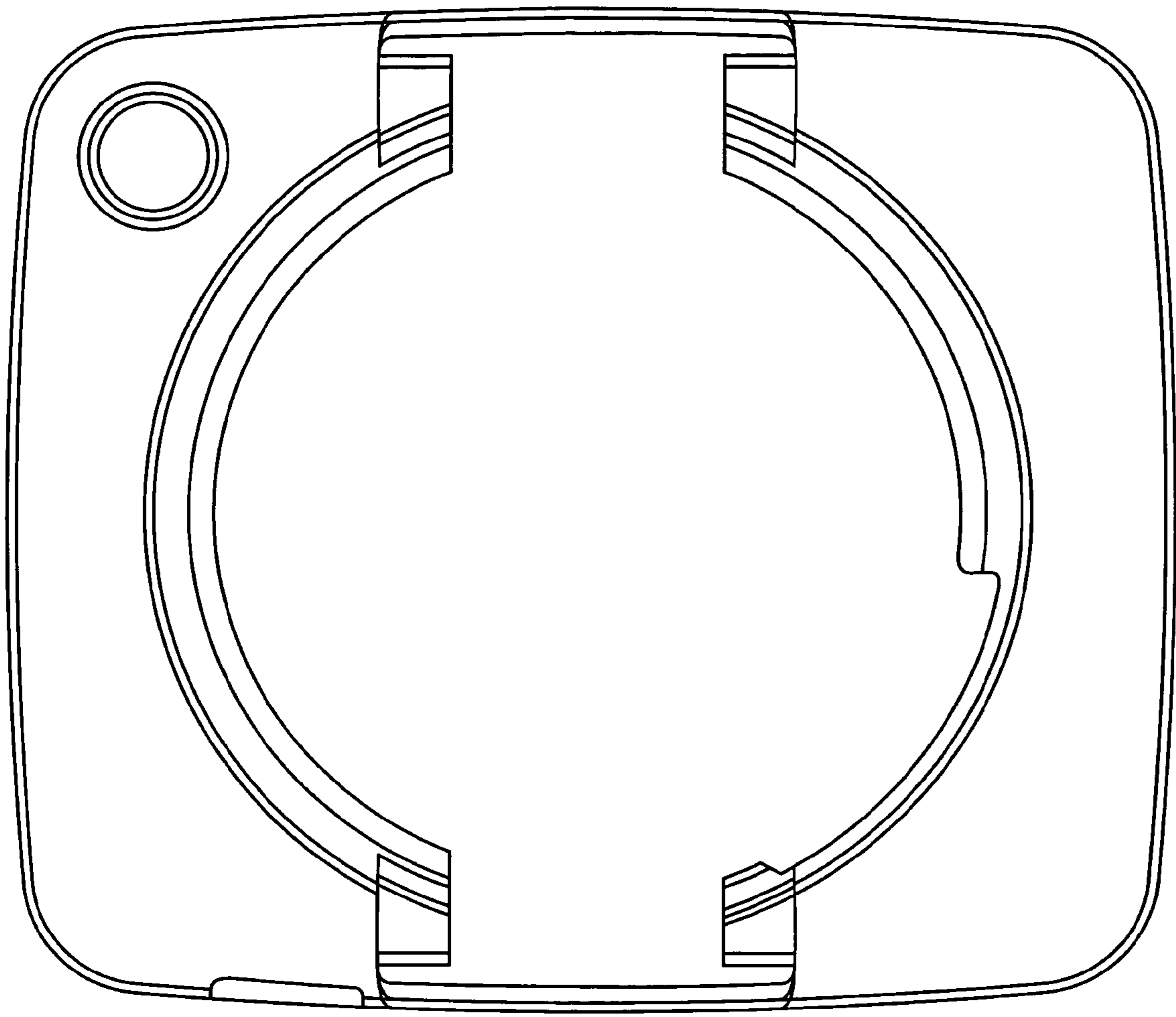


Fig. 2

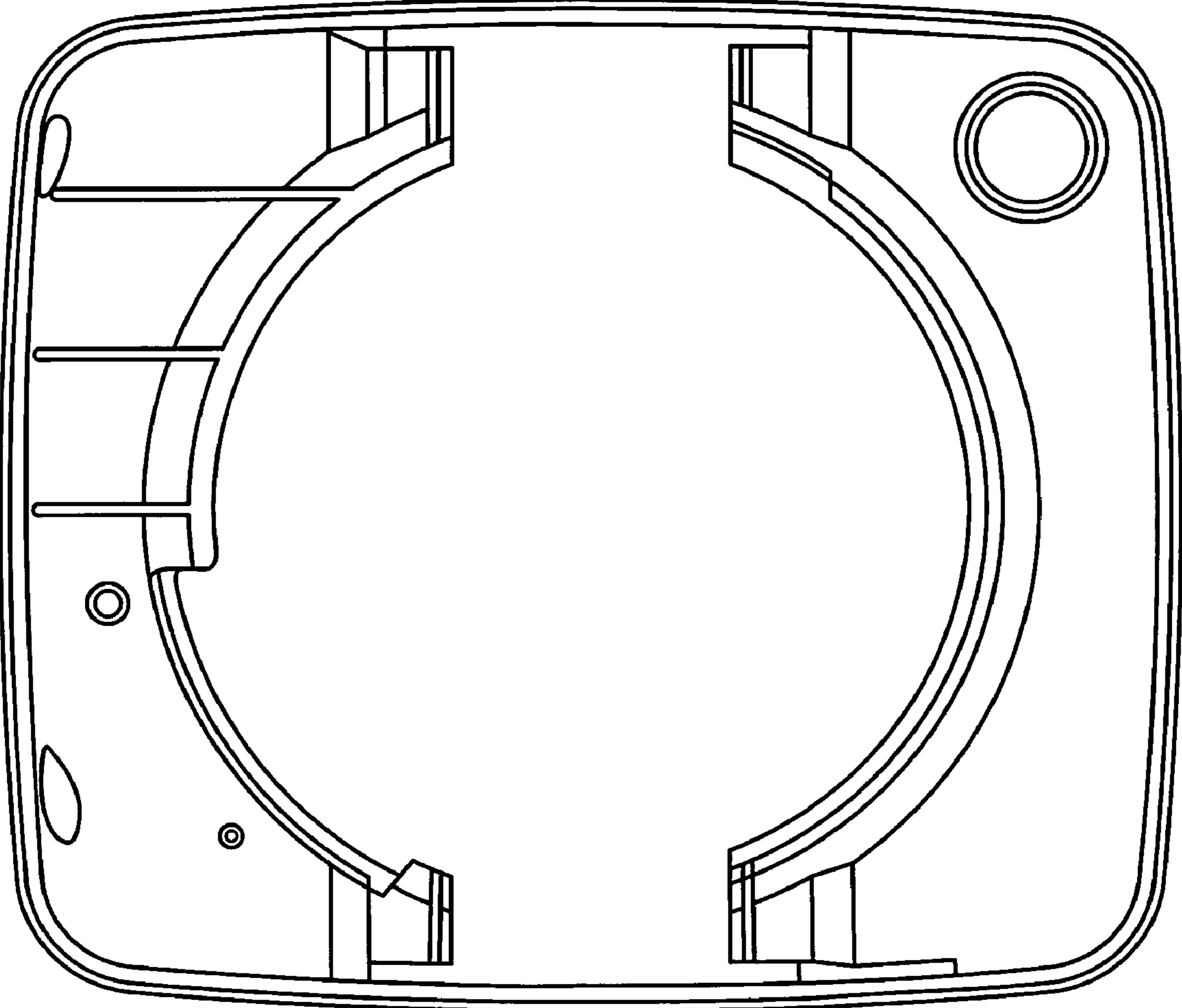


Fig. 3

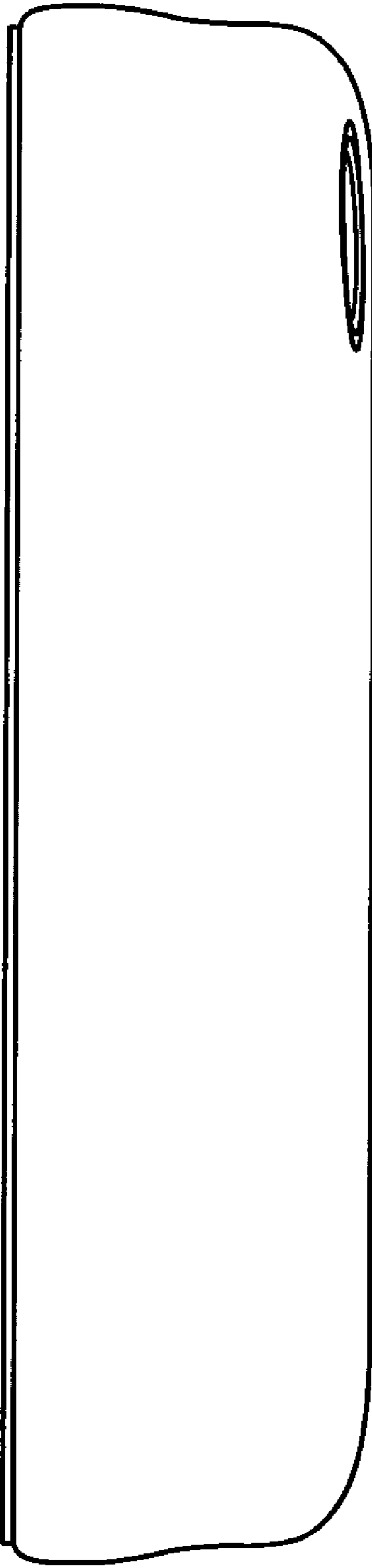


Fig. 4

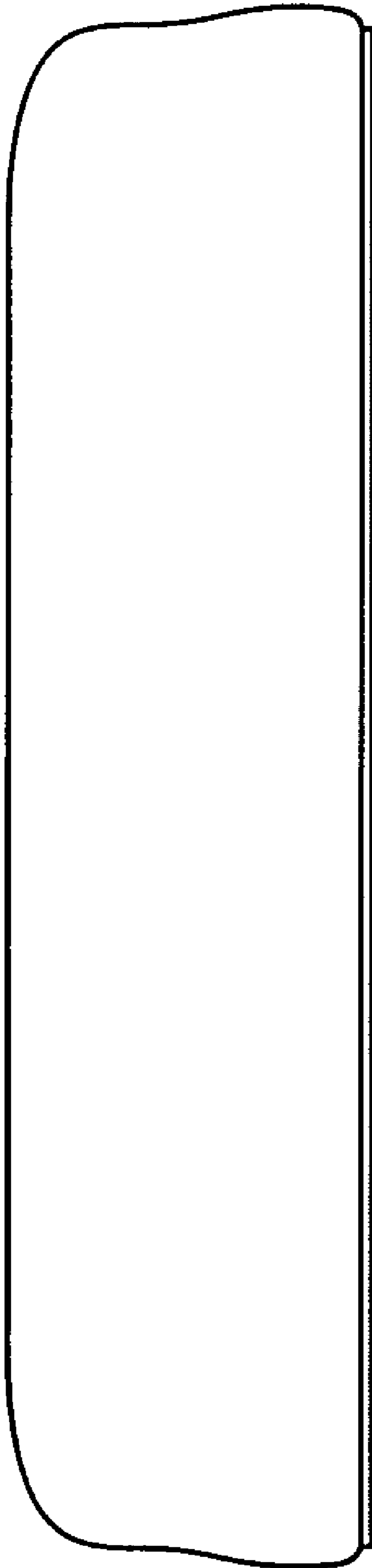


Fig. 5

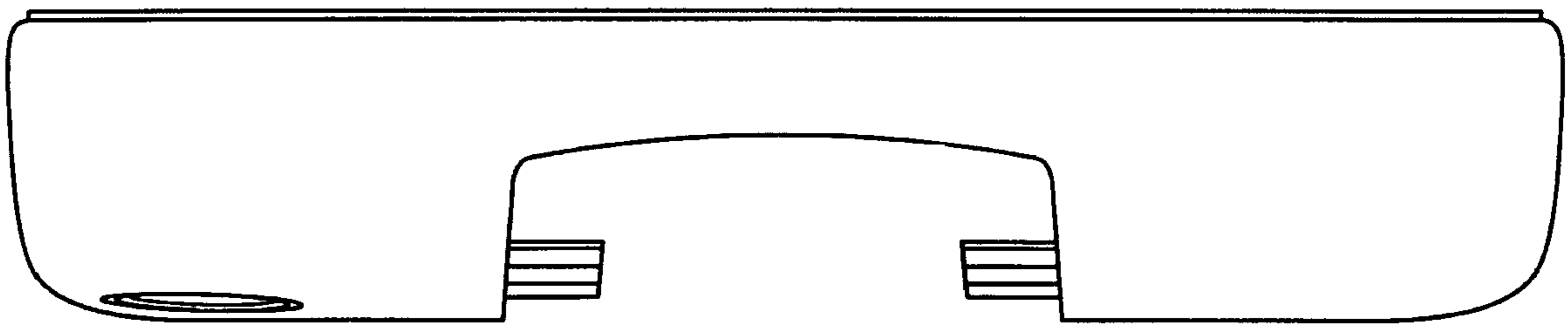


Fig. 6

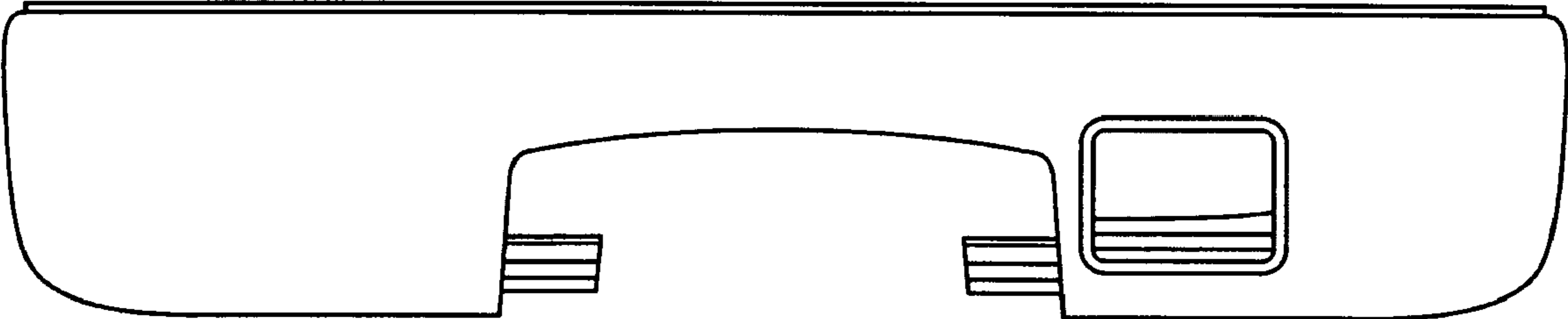


Fig. 7