



US00D625627S

(12) **United States Design Patent**  
**McAlpine et al.**

(10) **Patent No.:** **US D625,627 S**  
(45) **Date of Patent:** **\*\* Oct. 19, 2010**

(54) **NAVIGATION SYSTEM**

(75) Inventors: **Ken McAlpine**, Hampton (GB); **Martin Riddiford**, London (GB)

(73) Assignee: **TomTom International B.V.**, Amsterdam (NL)

(\*\*) Term: **14 Years**

(21) Appl. No.: **29/348,043**

(22) Filed: **Nov. 21, 2009**

(30) **Foreign Application Priority Data**

Aug. 27, 2009 (EM) ..... 001605007-0002

(51) **LOC (9) Cl.** ..... **10-04**

(52) **U.S. Cl.** ..... **D10/65**

(58) **Field of Classification Search** ..... D10/65;  
D14/341, 344, 507, 138 R, 138 AA, 203.3,  
D14/203.4, 203.5, 203.7; 342/386, 351,  
342/419, 457, 357.06-357.13; 343/702;  
345/87, 104, 133, 156, 168, 173, 901-905;  
348/180, 184, 315, 739; 364/444, 499; 701/206-209,  
701/213, 214

See application file for complete search history.

(56) **References Cited**

**U.S. PATENT DOCUMENTS**

D543,876 S \* 6/2007 Kalis et al. .... D10/65  
D544,381 S \* 6/2007 Lammers-Meis et al. .... D10/65

D563,804 S \* 3/2008 Kimura et al. .... D10/65  
D566,588 S \* 4/2008 Stevens et al. .... D10/65  
D573,044 S \* 7/2008 Kalis et al. .... D10/65  
D574,271 S \* 8/2008 Stevens et al. .... D10/65  
D579,801 S \* 11/2008 Tan ..... D10/65  
D580,803 S \* 11/2008 Whittaker ..... D10/65  
D585,778 S \* 2/2009 Weinschenk ..... D10/65  
7,538,723 B2 \* 5/2009 Davis et al. .... 342/357.06  
D595,598 S \* 7/2009 Stevens et al. .... D10/65  
D611,363 S \* 3/2010 Lenz et al. .... D10/65

\* cited by examiner

*Primary Examiner*—Antoine D Davis

(74) *Attorney, Agent, or Firm*—Harness, Dickey & Pierce, P.L.C.

(57) **CLAIM**

The ornamental design for a navigation system, as shown and described.

**DESCRIPTION**

FIG. 1 is an isometric view showing the top, front and side of my invention;

FIG. 2 is a front elevation view of my invention;

FIG. 3 is a back elevation view of my invention;

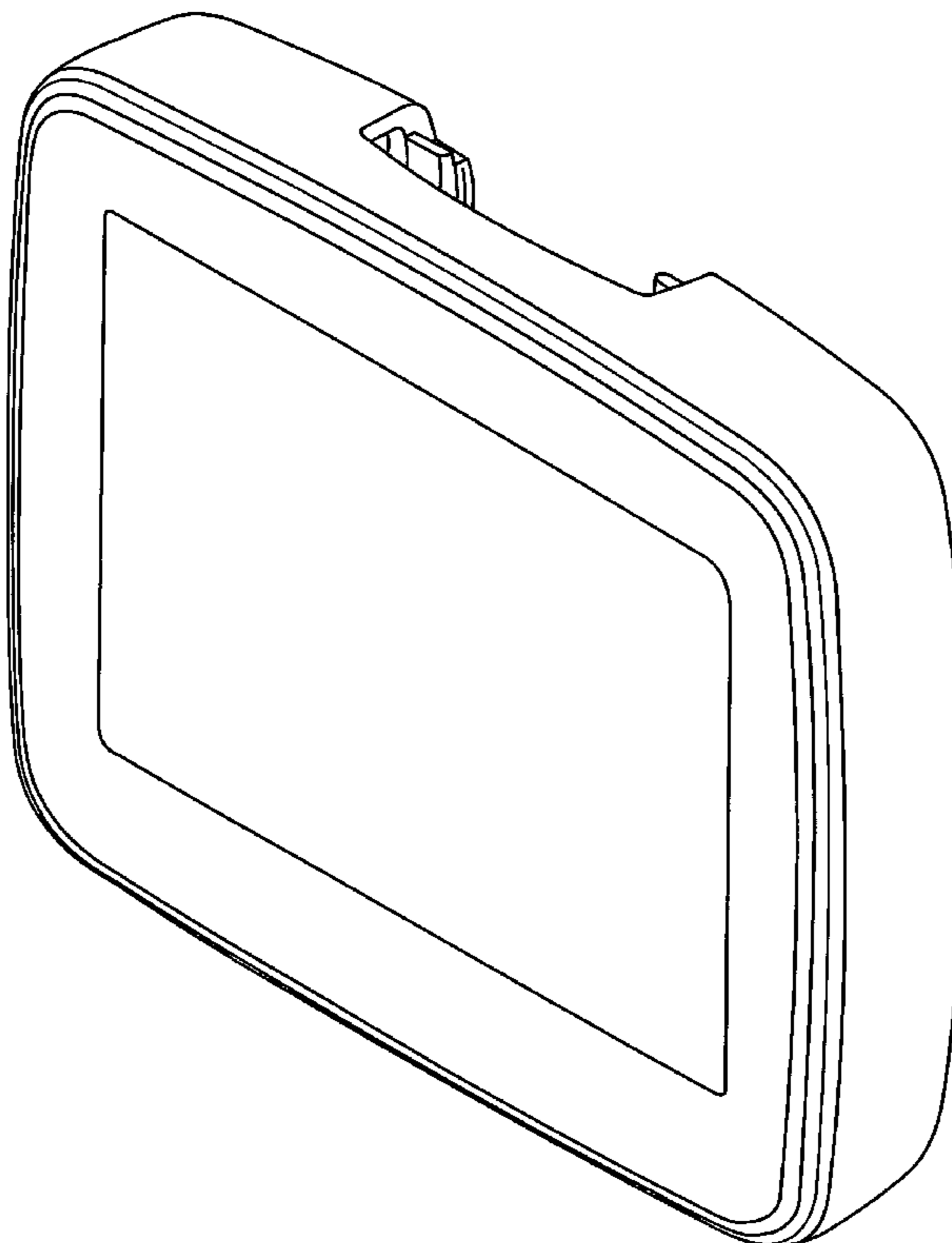
FIG. 4 is a left-side elevation view of my invention;

FIG. 5 is a right-side elevation view of my invention;

FIG. 6 is a top elevation view of my invention; and,

FIG. 7 is a bottom elevation view of my invention.

**1 Claim, 7 Drawing Sheets**



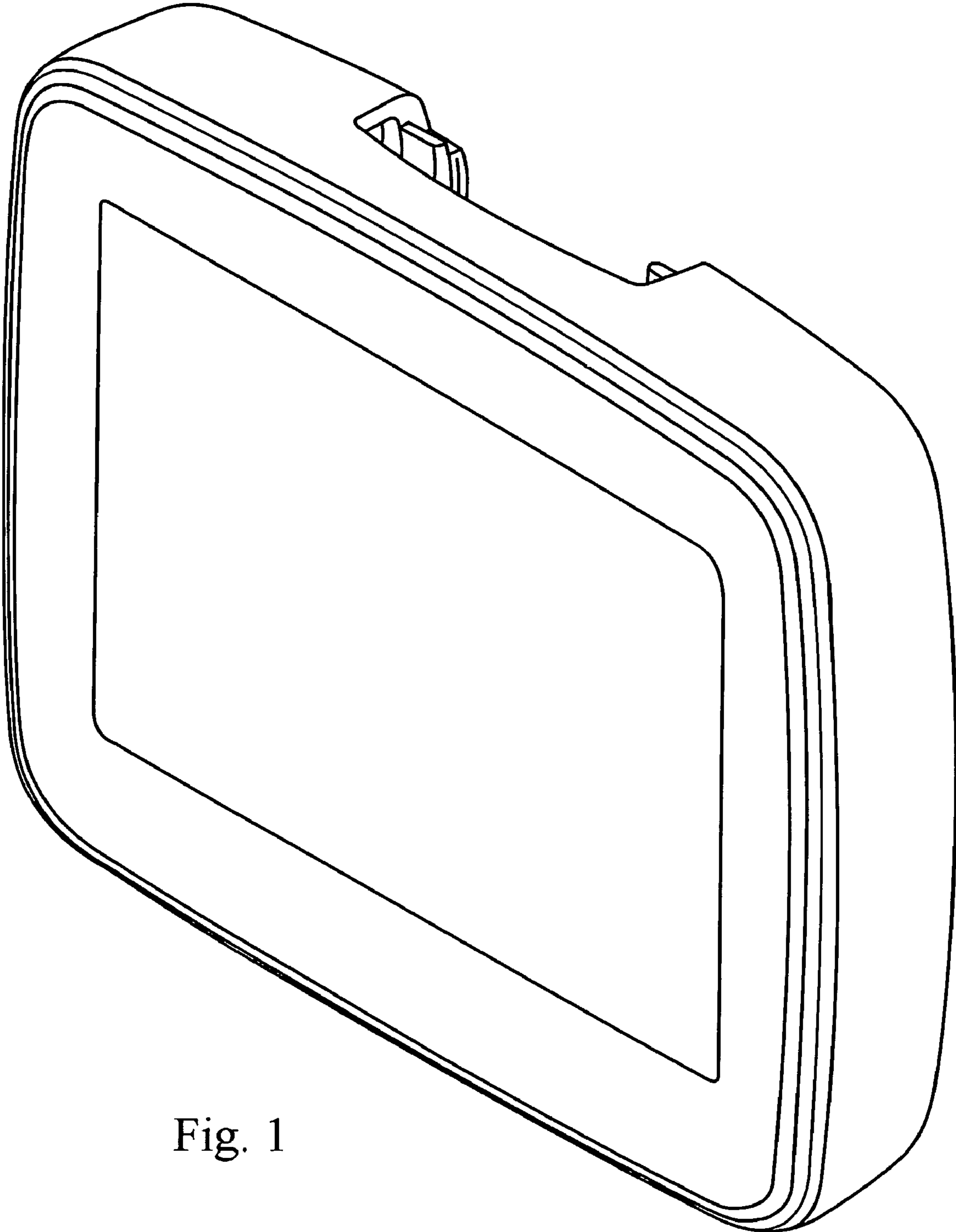


Fig. 1

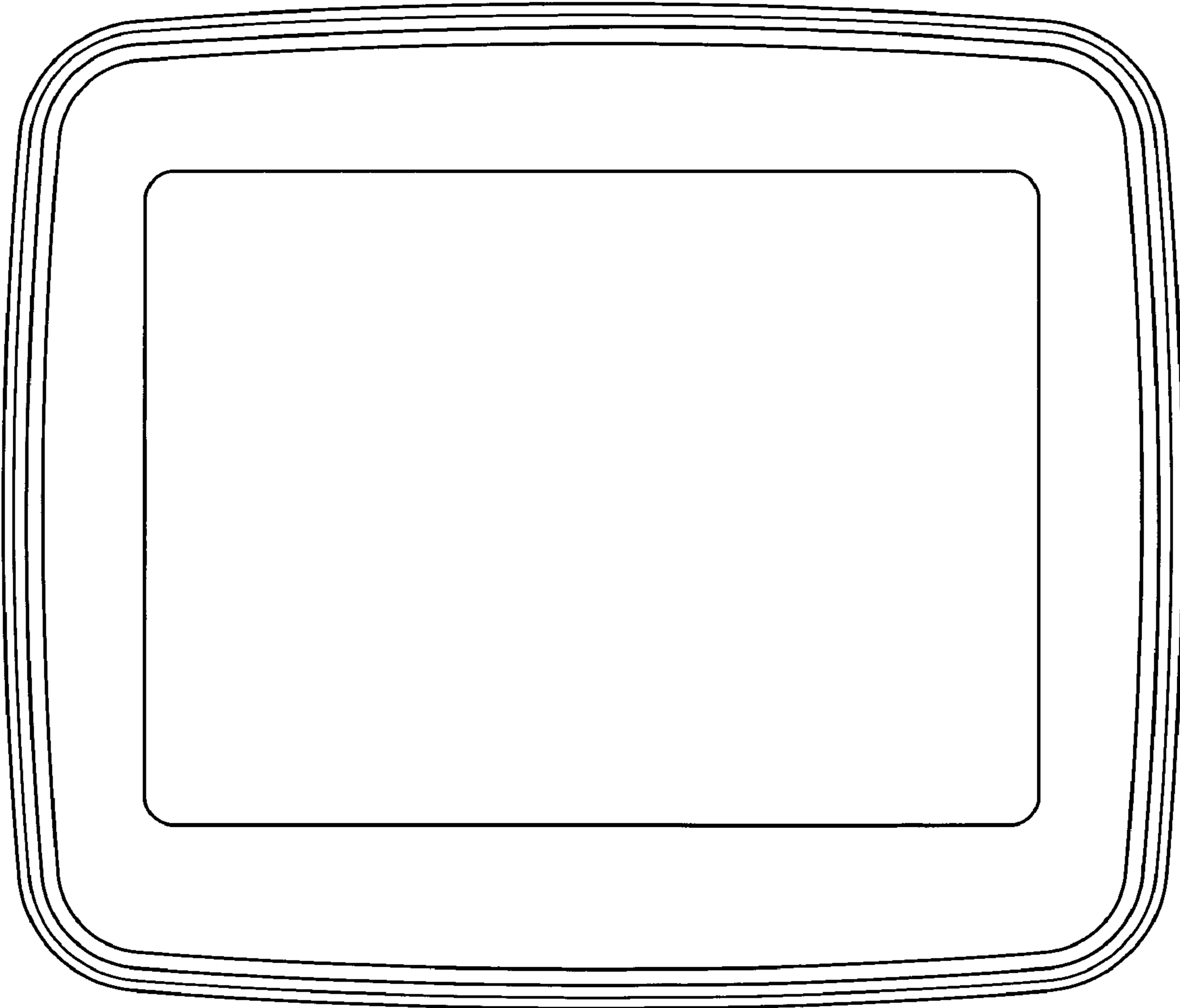


Fig. 2

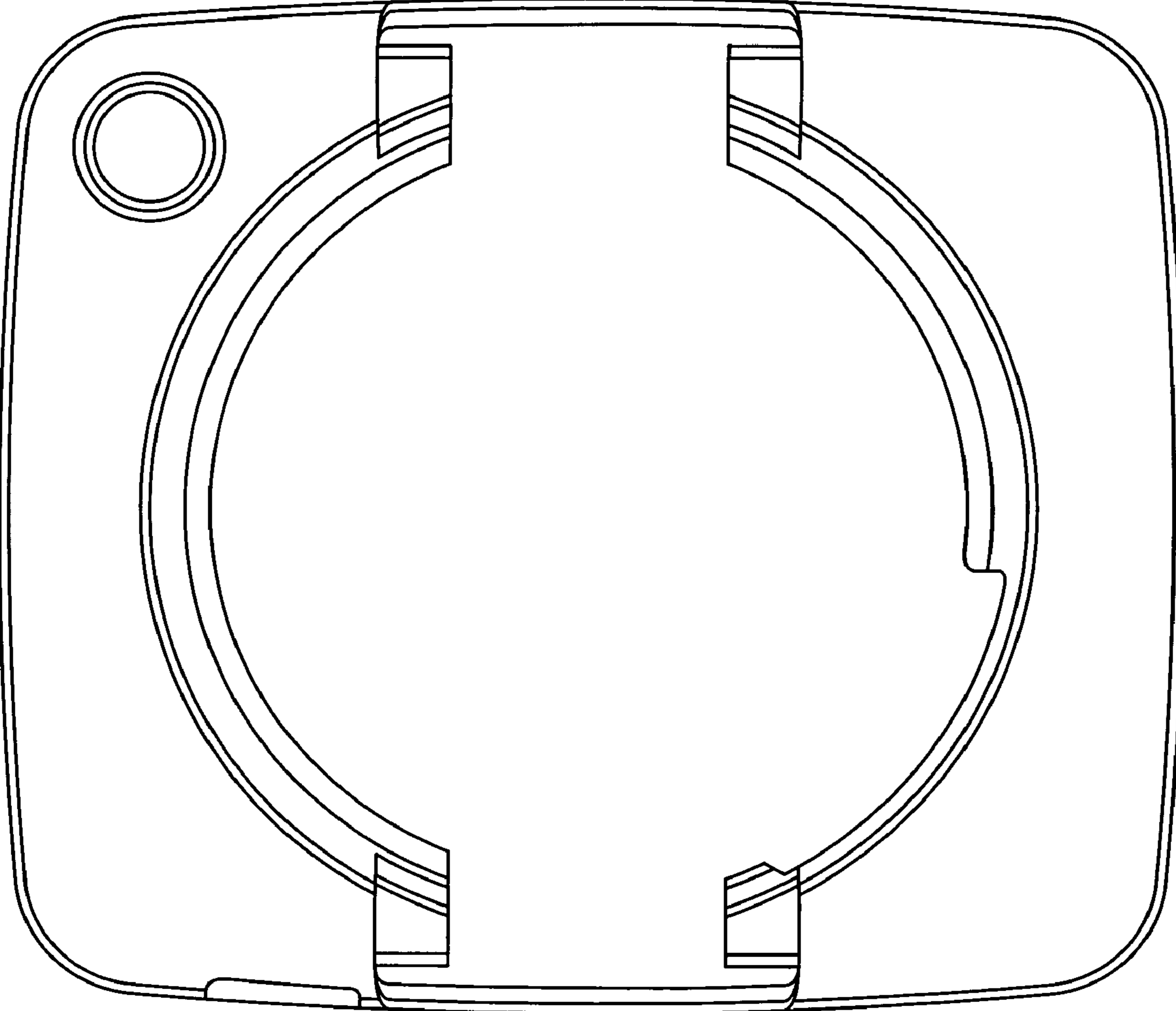


Fig. 3

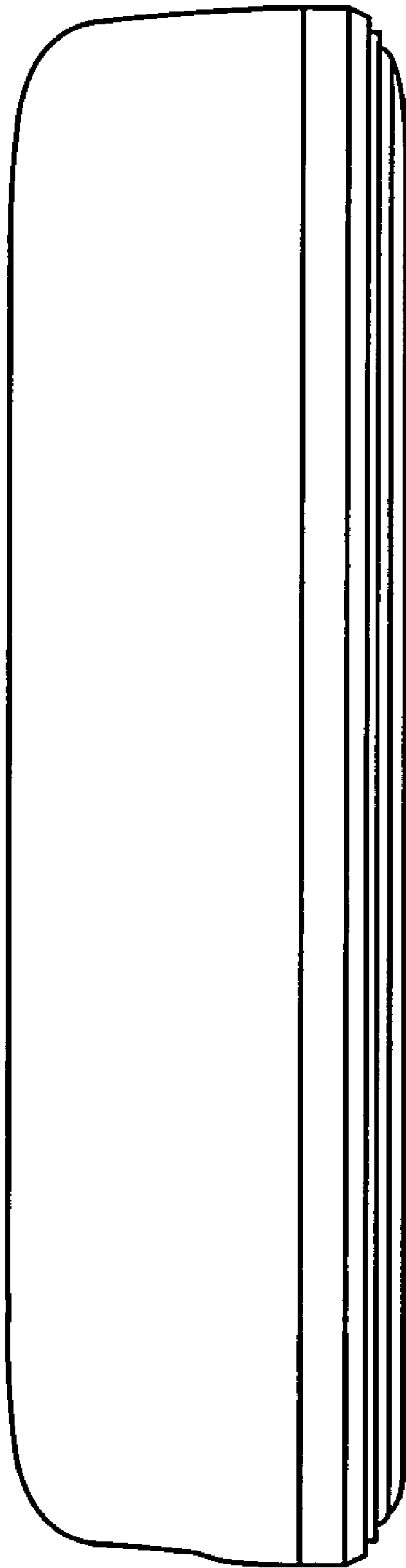


Fig. 4

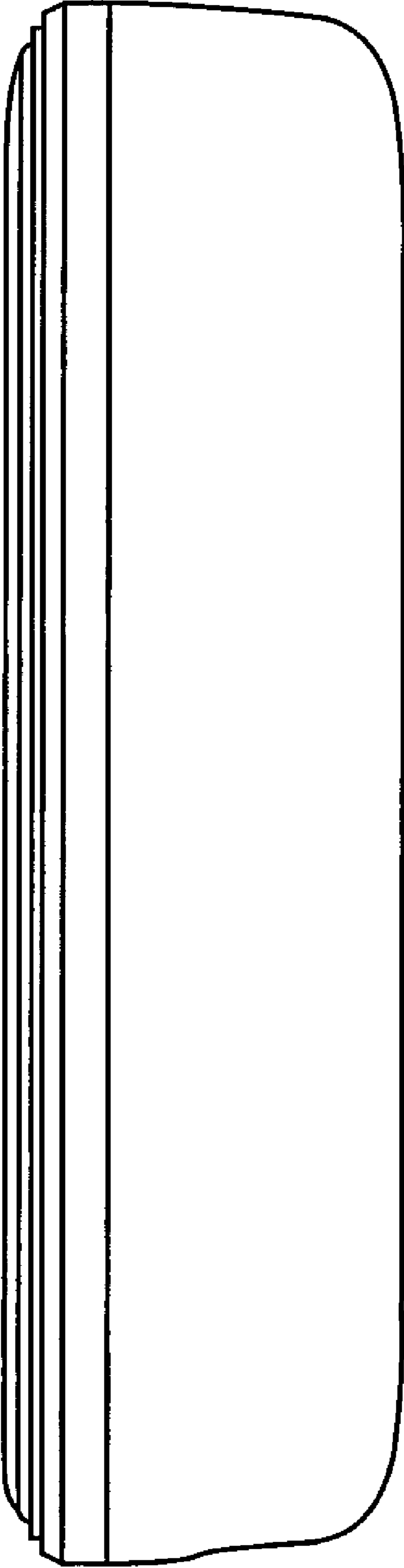


Fig. 5

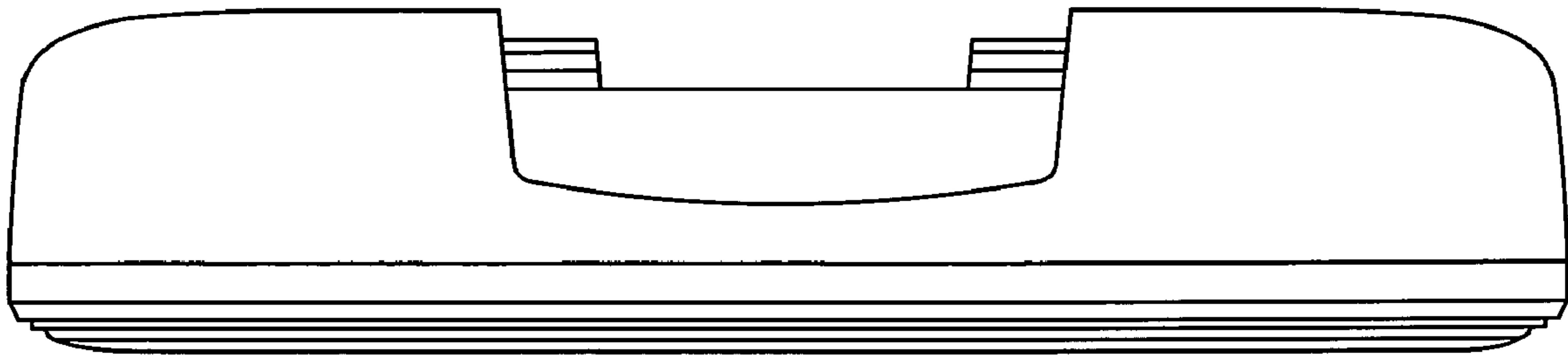


Fig. 6

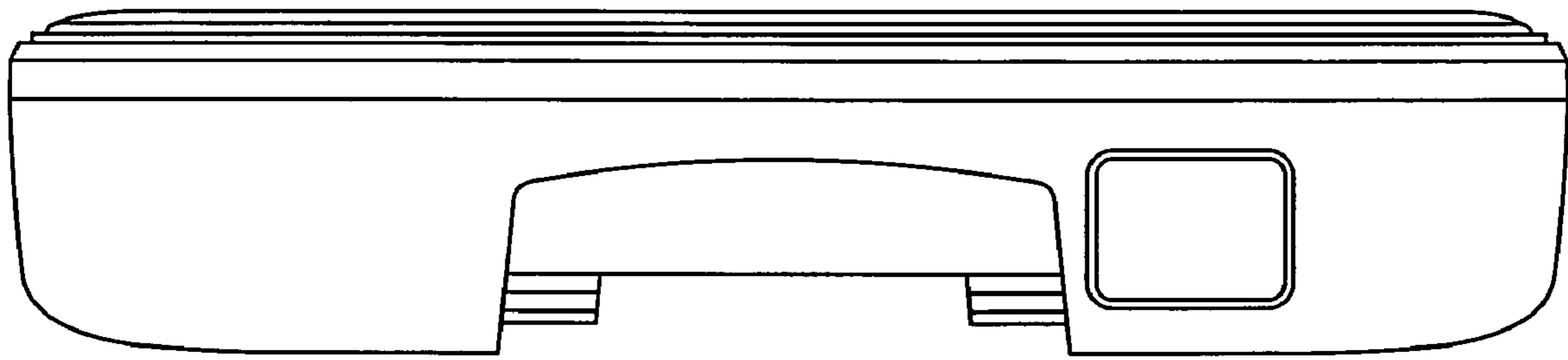


Fig. 7