



US00D625626S

(12) **United States Design Patent**
Riddiford

(10) **Patent No.:** **US D625,626 S**

(45) **Date of Patent:** **** Oct. 19, 2010**

(54) **NAVIGATION DEVICE AND MOUNT FOR
NAVIGATION DEVICE FOR USE ON A
HANDGRIP OF A VEHICLE**

7,504,983 B2 * 3/2009 Chen et al. 342/20
2010/0078537 A1 * 4/2010 Chen et al. 248/276.1

(75) Inventor: **Martin Riddiford**, London (GB)

* cited by examiner

(73) Assignee: **TomTom International B.V.**,
Amsterdam (NL)

Primary Examiner—Antoine D Davis

(74) *Attorney, Agent, or Firm*—Harness, Dickey & Pierce,
P.L.C.

(**) Term: **14 Years**

(57) **CLAIM**

(21) Appl. No.: **29/344,732**

The ornamental design for a navigation device and mount for navigation device for use on a handgrip of a vehicle, as shown and described.

(22) Filed: **Oct. 2, 2009**

(51) **LOC (9) Cl.** **10-04**

(52) **U.S. Cl.** **D10/65; D10/98**

(58) **Field of Classification Search** D10/65,
D10/98; D14/341, 344, 507, 138 R, 138 AA,
D14/203.3, 203.4, 203.5, 203.7; 342/386,
342/351, 419, 457, 357.06–357.13, 20; 343/702,
343/711, 712, 713, 714; 345/87, 104, 133,
345/156, 168, 173, 901–905; 348/180, 184,
348/315, 739; 364/444, 499; 701/206–209,
701/213, 214; 248/276.1; 73/490, 493, 514.39,
73/527; 235/95 R; 324/160–180, 207.13,
324/207.22, 207.25; 340/432; 702/145–148
See application file for complete search history.

DESCRIPTION

FIG. 1 is a perspective view of a navigation device and mount for navigation device for use on a handgrip of a vehicle showing our new design;

FIG. 2 is a right side view thereof;

FIG. 3 is a left side view thereof;

FIG. 4 is a front view thereof;

FIG. 5 is a rear view thereof;

FIG. 6 is a top view thereof; and,

FIG. 7 is a bottom view thereof.

The broken lines shown in the drawings are for illustrative purposes only and from no part of the claimed design.

(56) **References Cited**

U.S. PATENT DOCUMENTS

D276,707 S * 12/1984 Segan et al. D10/98

1 Claim, 4 Drawing Sheets

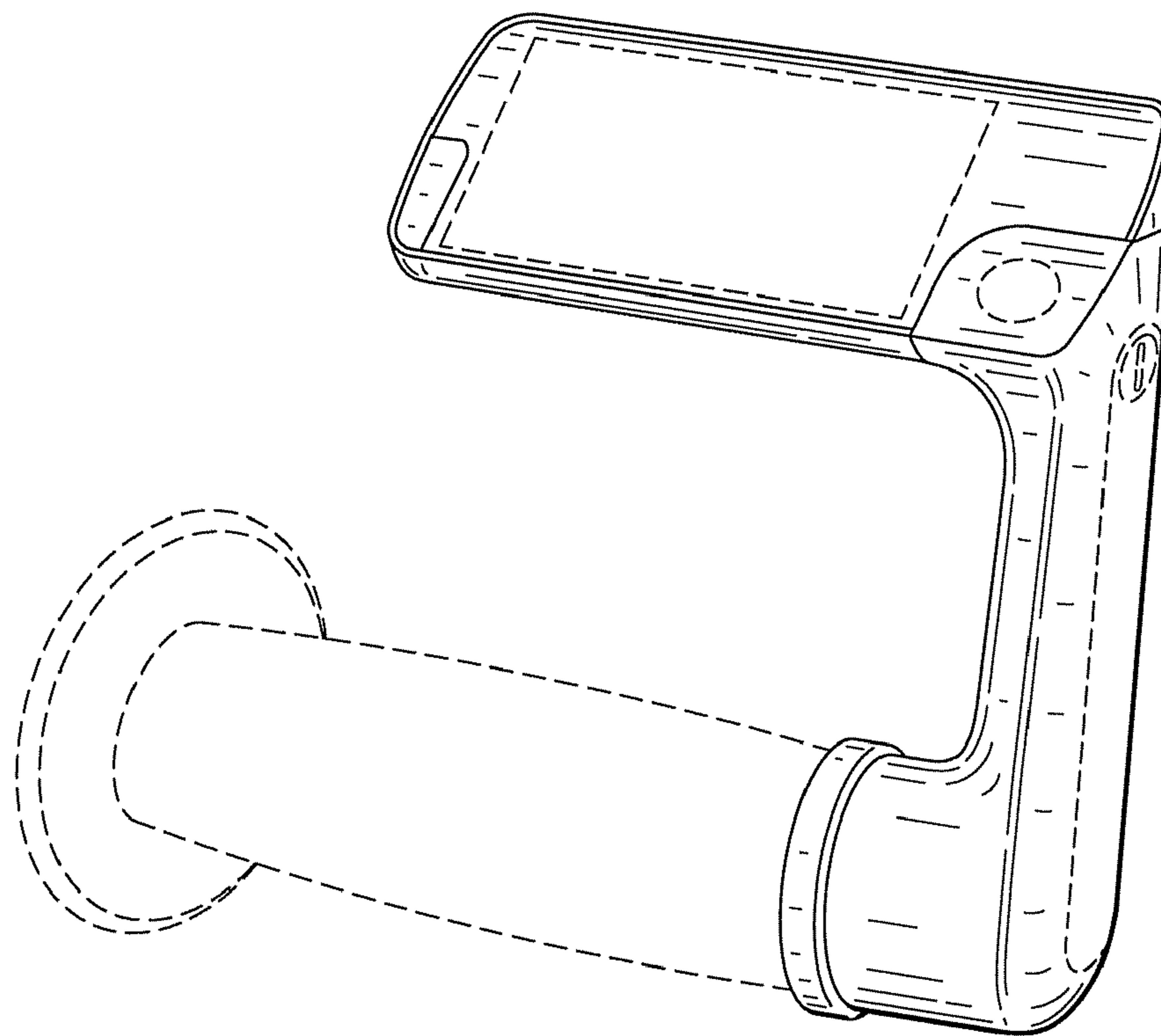


FIG. 1

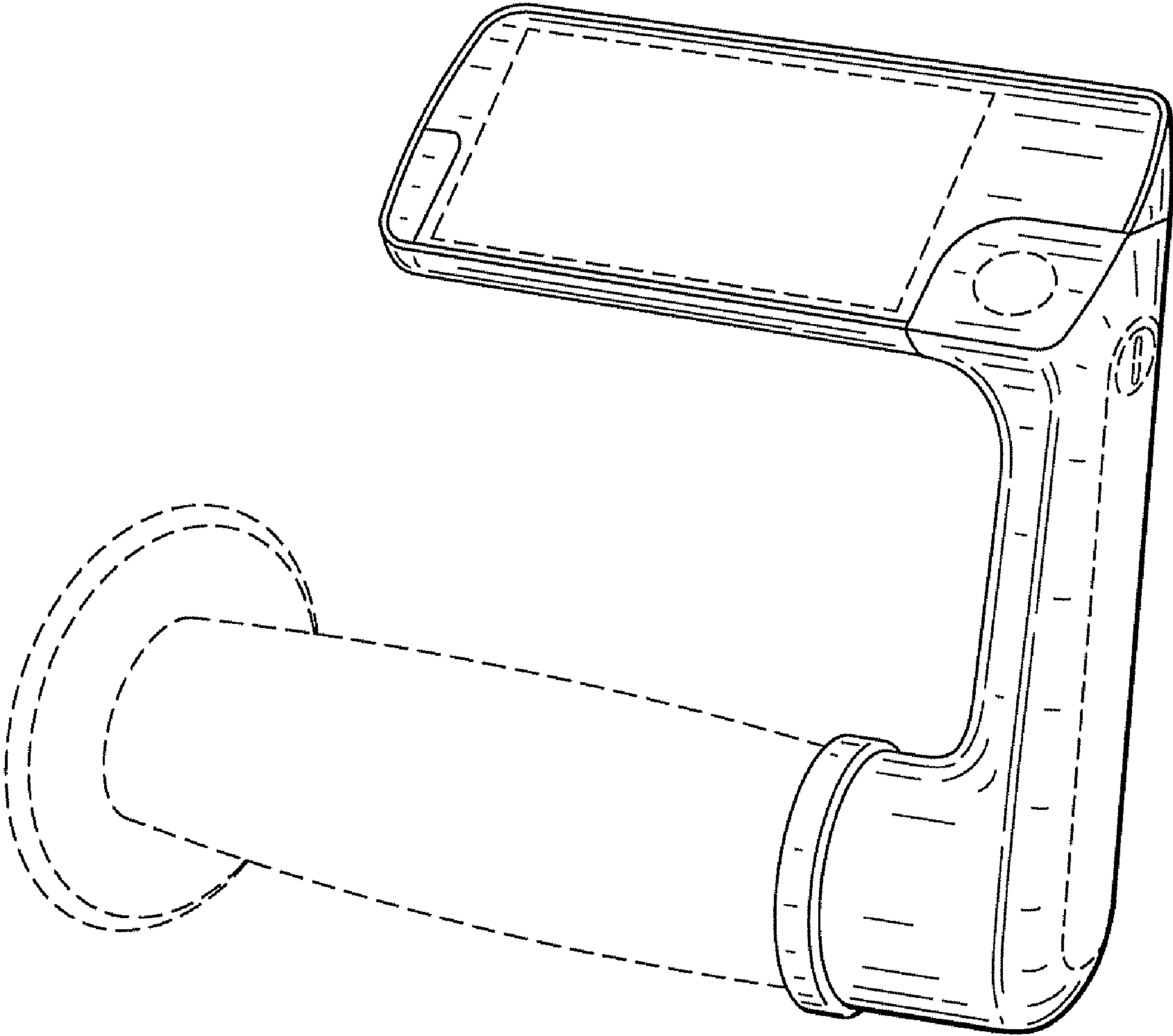


FIG. 2

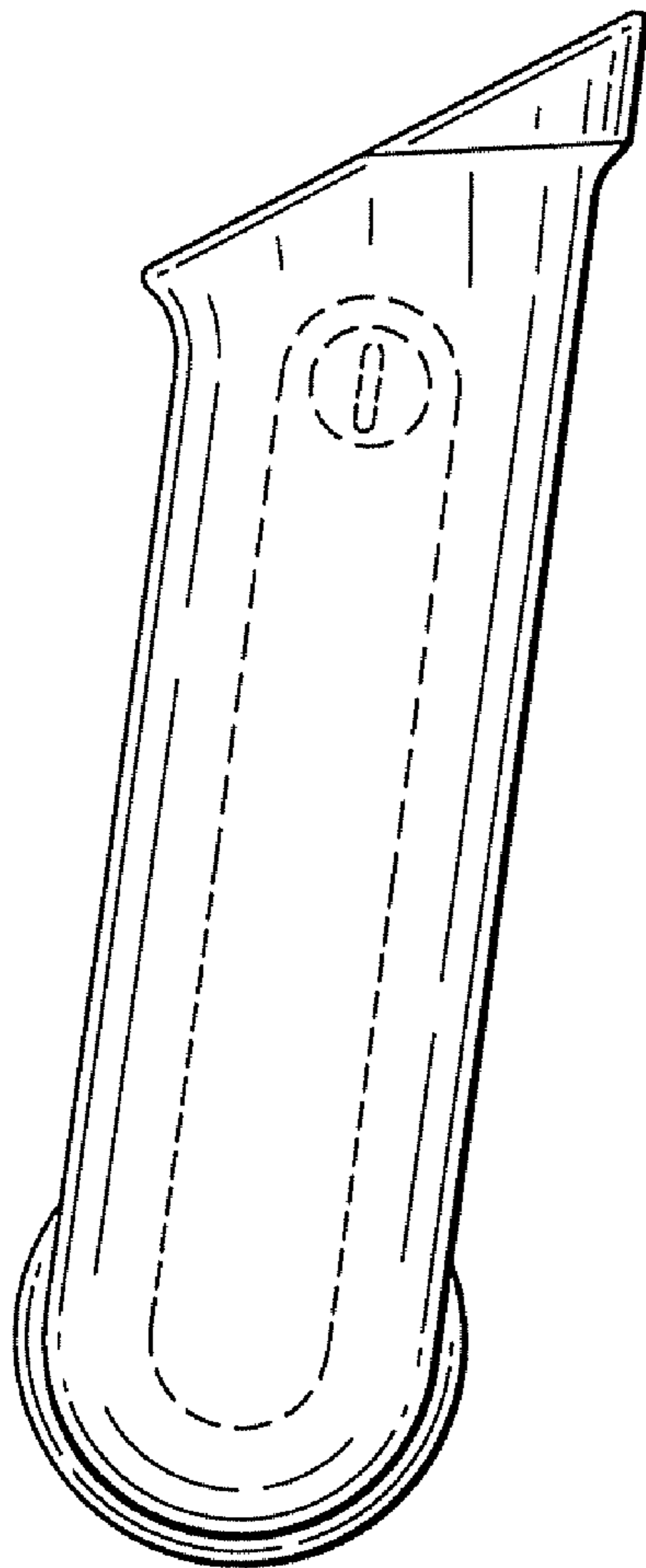


FIG. 3

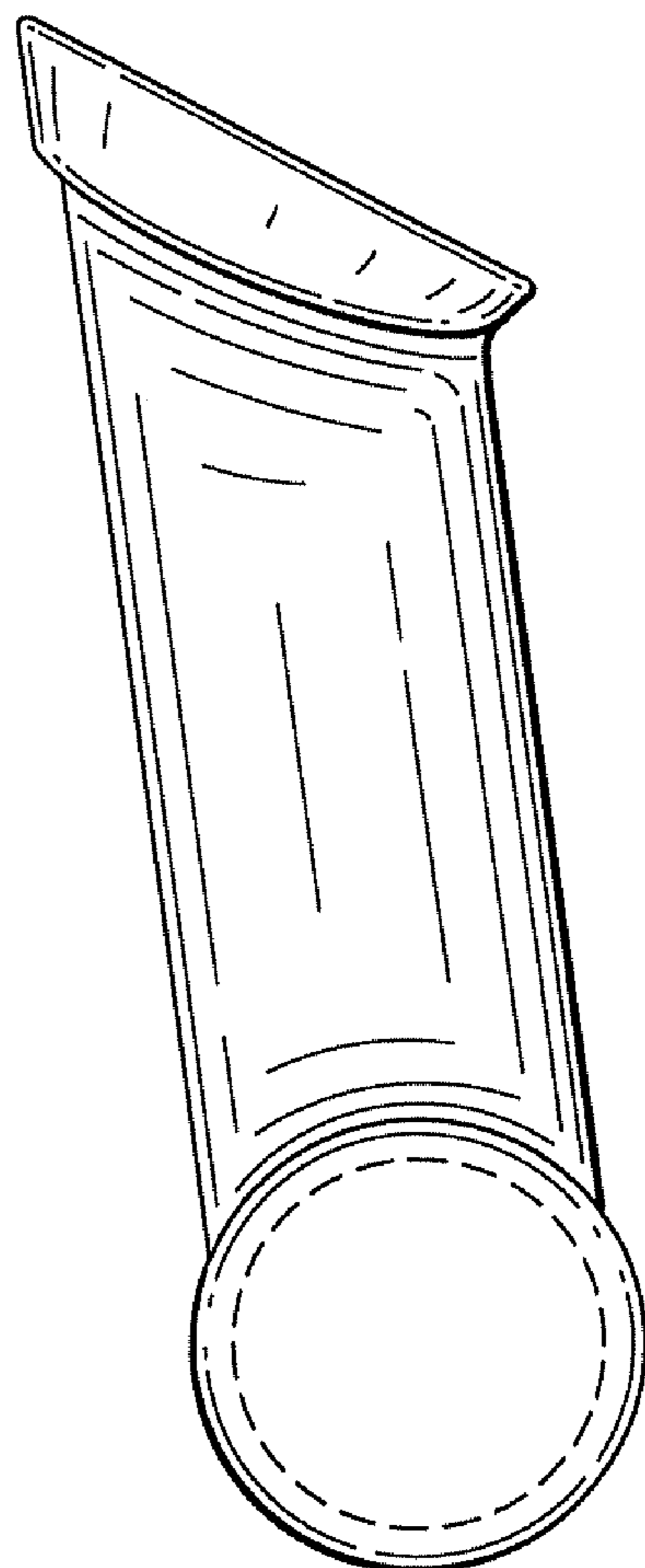


FIG. 4

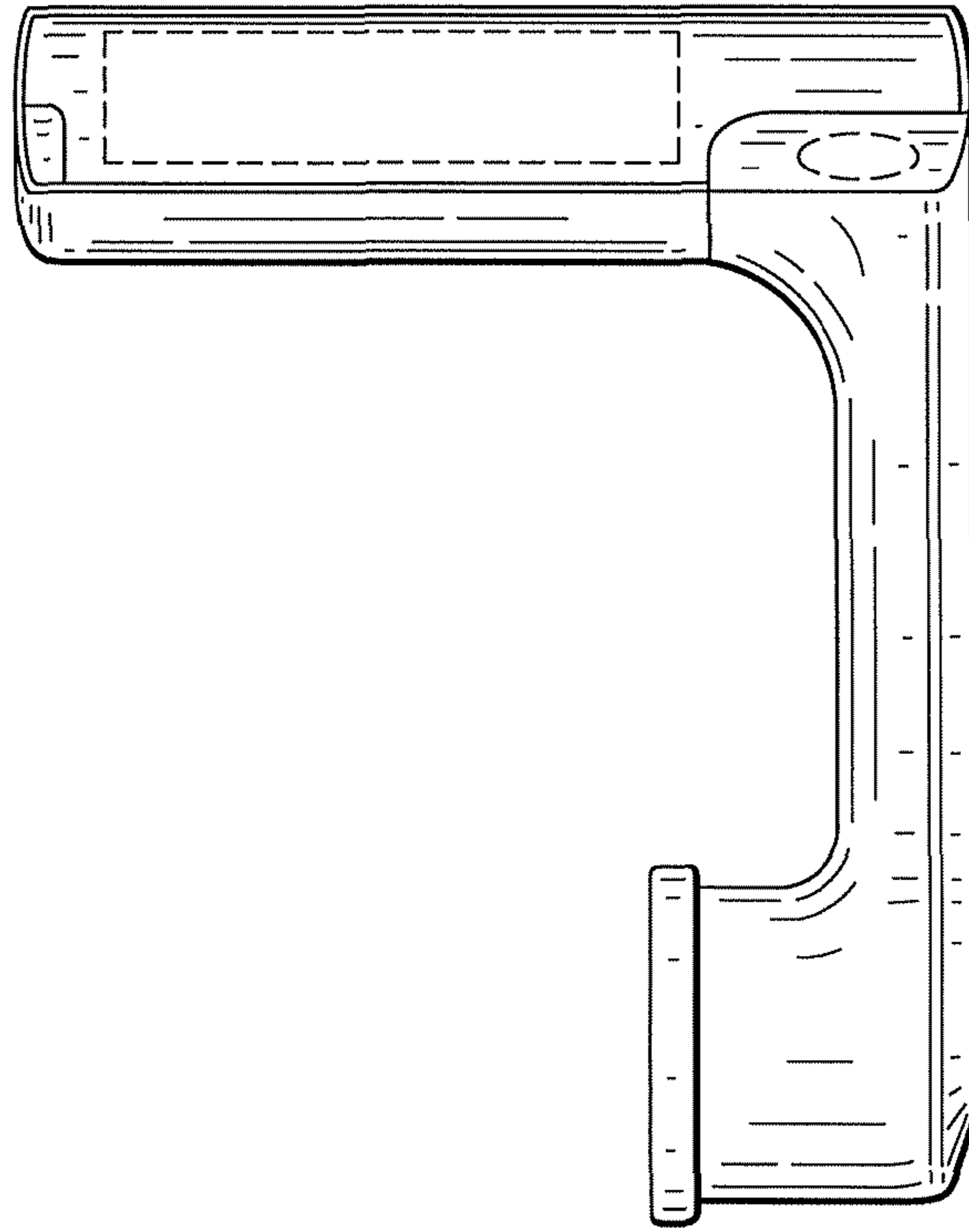


FIG. 5

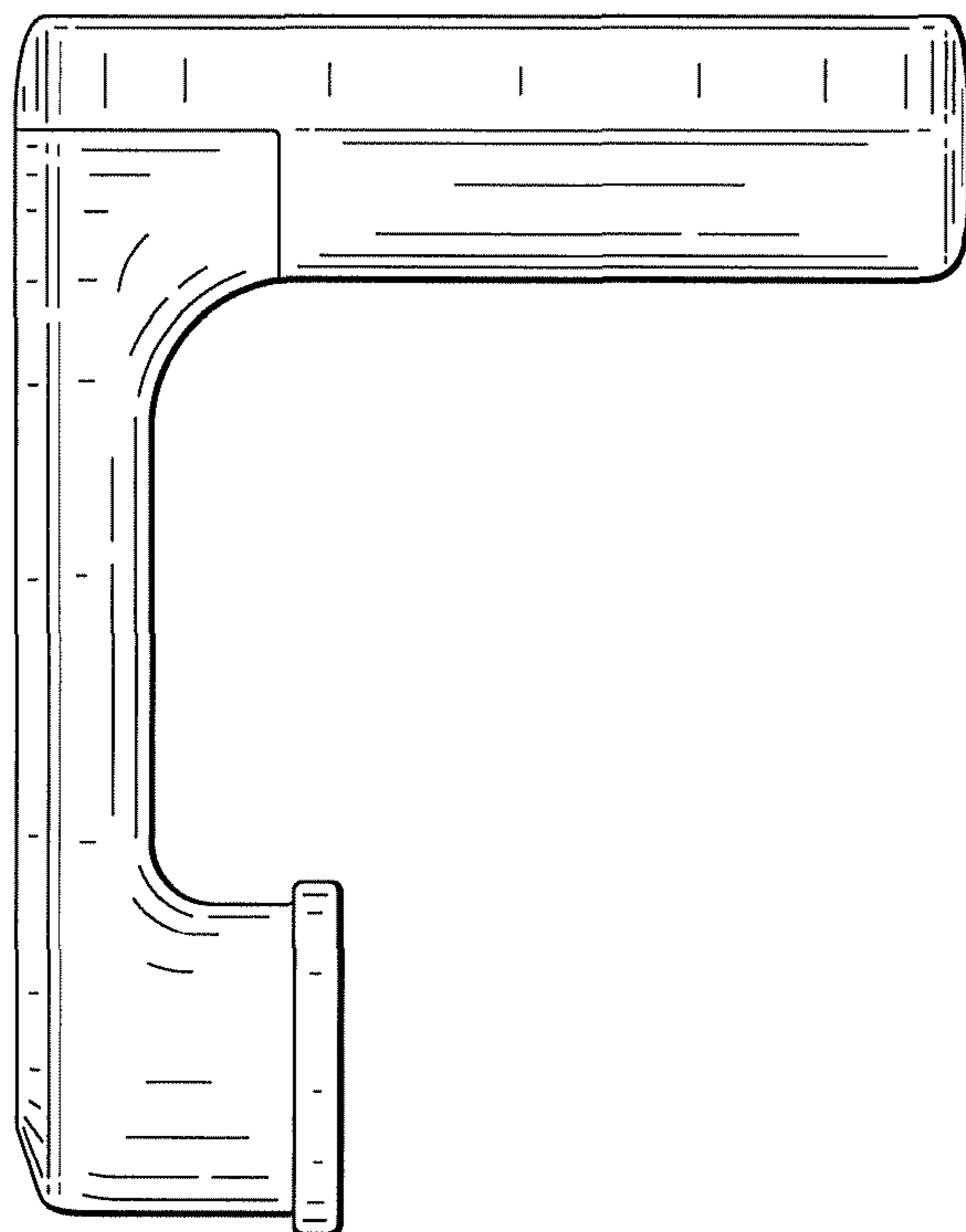


FIG. 6

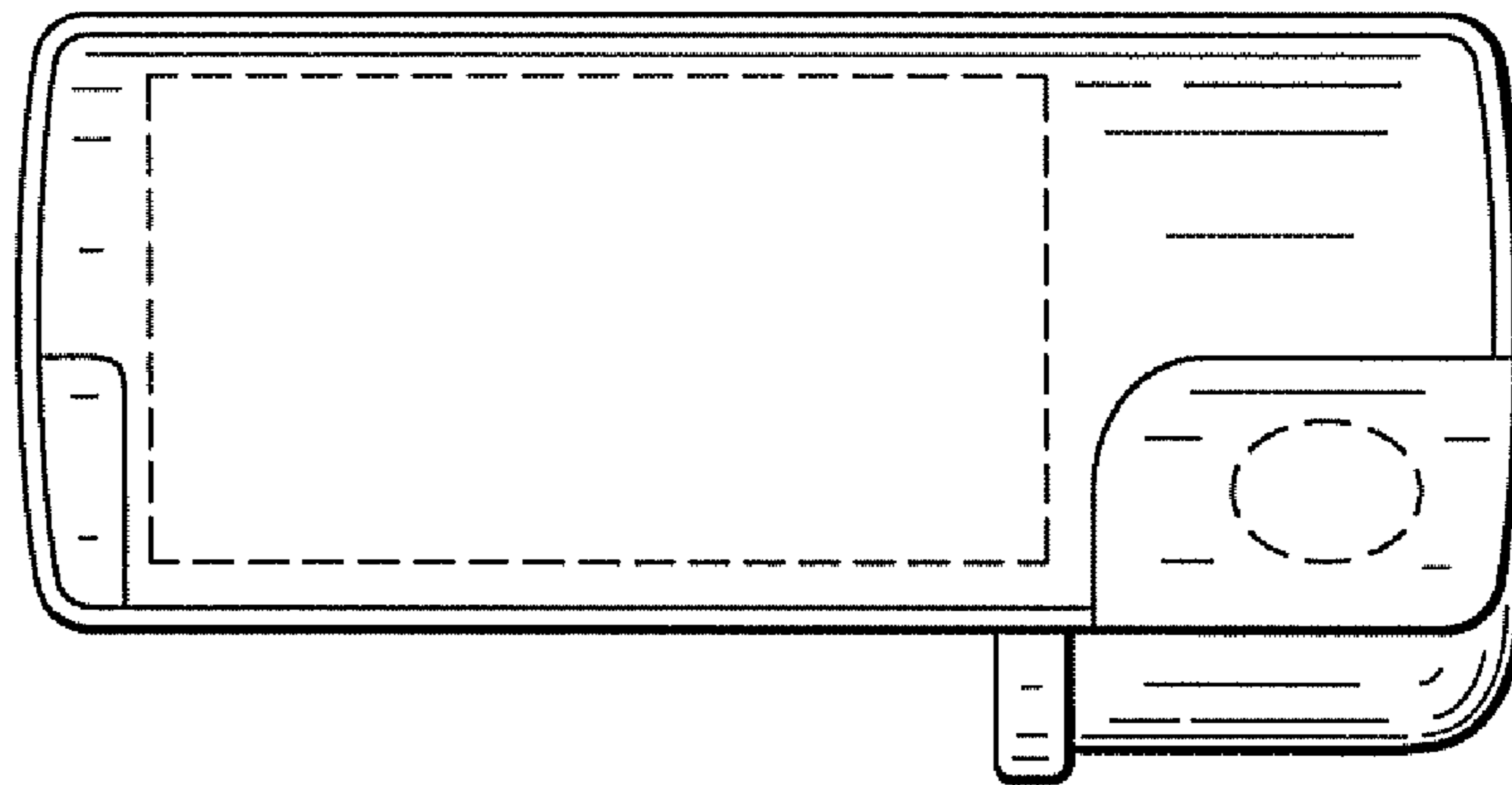


FIG. 7

