



US00D625621S

(12) **United States Design Patent**  
**Boyer et al.**

(10) **Patent No.:** **US D625,621 S**  
(45) **Date of Patent:** **\*\* Oct. 19, 2010**

(54) **SPORTS TIMING DEVICE**

(75) Inventors: **Jerome Alain Boyer**, Sinnamon Park (AU); **Gordon Haslewood Stuart**, Mt Gravatt (AU); **Murray Adam Hughes**, Mackenzie (AU)

(73) Assignee: **Grabba International Pty Ltd**, Coopers Plains (AU)

(\*\*) Term: **14 Years**

(21) Appl. No.: **29/347,643**

(22) Filed: **Mar. 24, 2010**

(30) **Foreign Application Priority Data**

Sep. 29, 2009 (AU) ..... 328656

(51) **LOC (9) Cl.** ..... **21-01**

(52) **U.S. Cl.** ..... **D10/46.1**

(58) **Field of Classification Search** ..... D10/46, D10/46.1; 116/222-225; 235/1 B, 1 C, 1 D, 235/90; 273/236, 459, DIG. 26, 148 B; 463/1, 463/46, 47

See application file for complete search history.

(56) **References Cited**

**U.S. PATENT DOCUMENTS**

D349,859 S \* 8/1994 Asano ..... D10/46.1  
D360,595 S \* 7/1995 Lia ..... D10/46.1

5,574,268 A \* 11/1996 Herman et al. .... 235/91 R  
D449,549 S \* 10/2001 Hoelbl ..... D10/81  
D467,510 S \* 12/2002 Hung ..... D10/46.1  
D540,201 S \* 4/2007 Jackson et al. .... D10/46.1  
D605,536 S \* 12/2009 Nishimoto ..... D10/46.1  
2009/0025625 A1 \* 1/2009 Lee ..... 116/223

\* cited by examiner

*Primary Examiner*—Prabhakar Deshmukh

(57) **CLAIM**

The ornamental design for a sports timing device, as shown.

**DESCRIPTION**

FIG. 1 is a front elevational view of a sports timing device showing my new design;

FIG. 2 is a rear elevational view thereof;

FIG. 3 is a top plan view thereof;

FIG. 4 is a left side elevational view thereof;

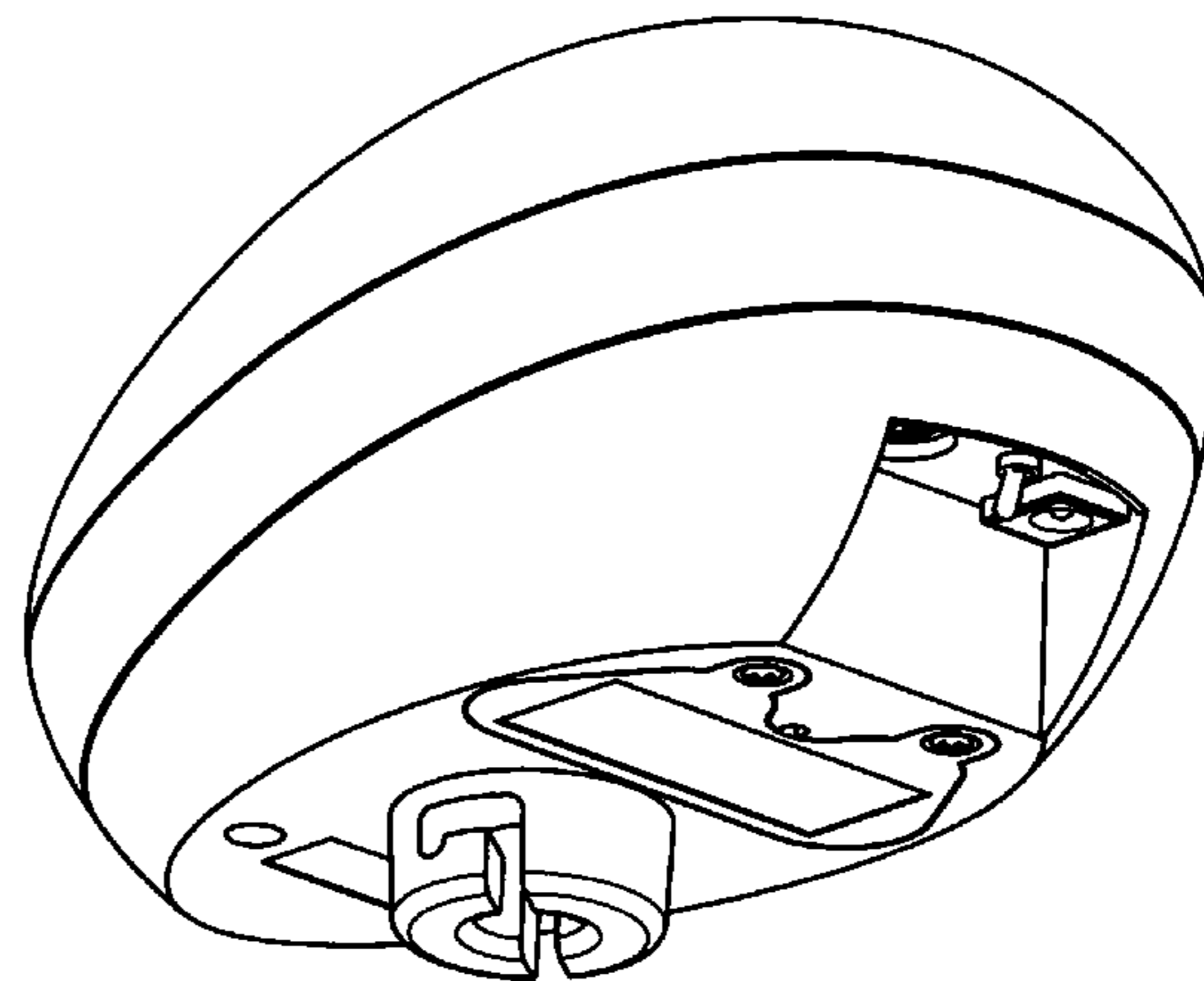
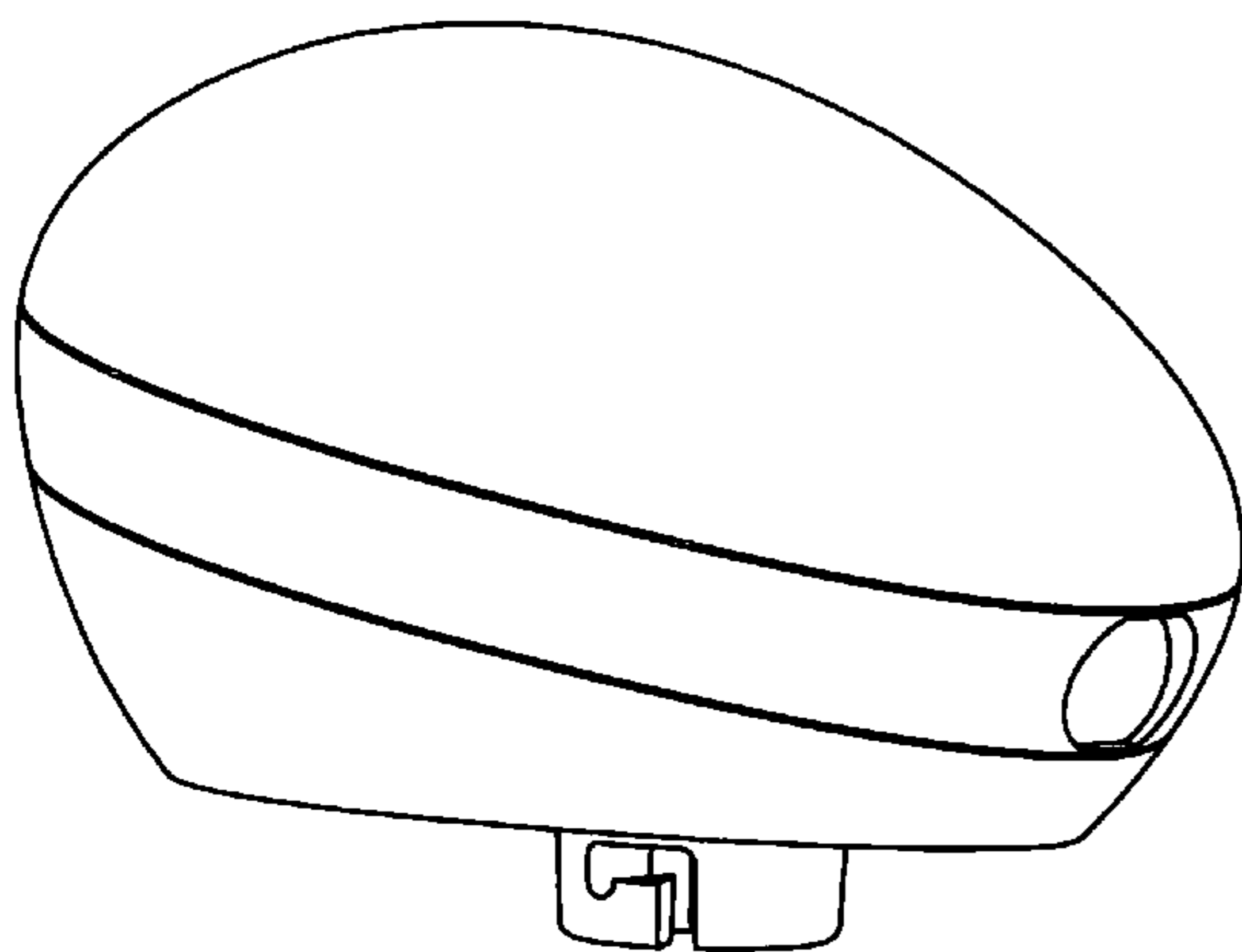
FIG. 5 is a right side elevational view thereof;

FIG. 6 is a bottom plan view thereof;

FIG. 7 is a perspective view thereof; and,

FIG. 8 is a perspective view thereof.

**1 Claim, 4 Drawing Sheets**



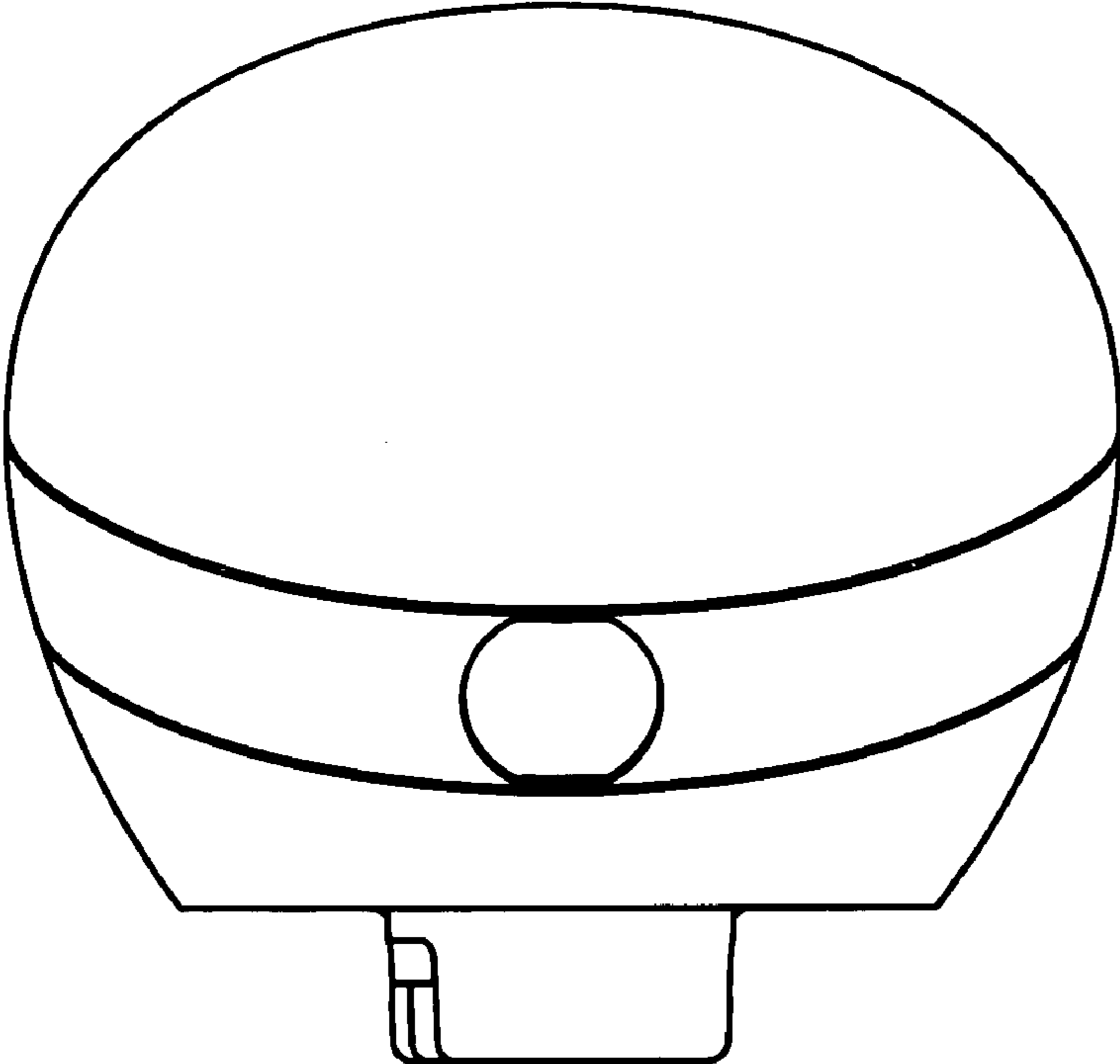


FIG.1

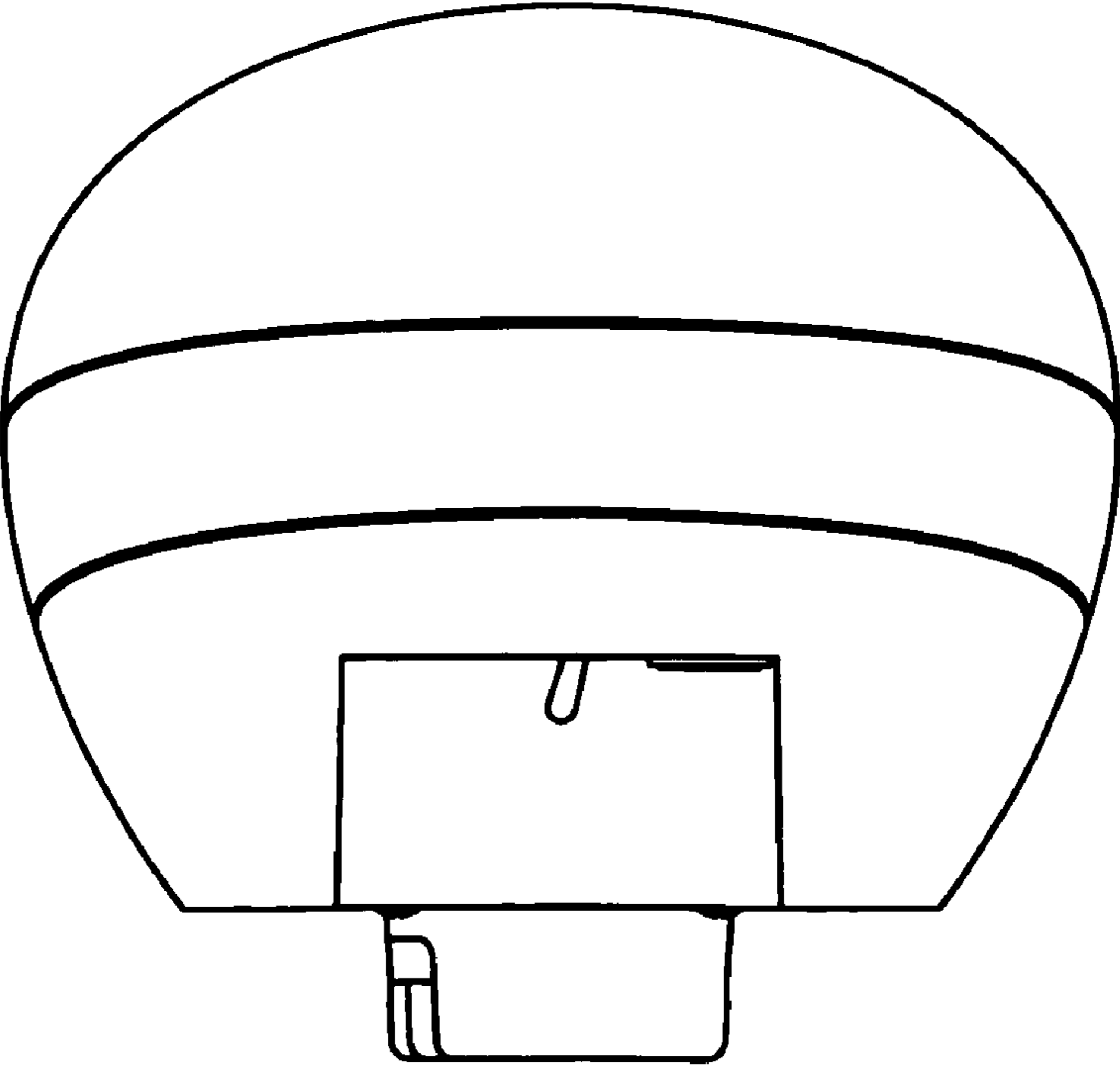


FIG.2

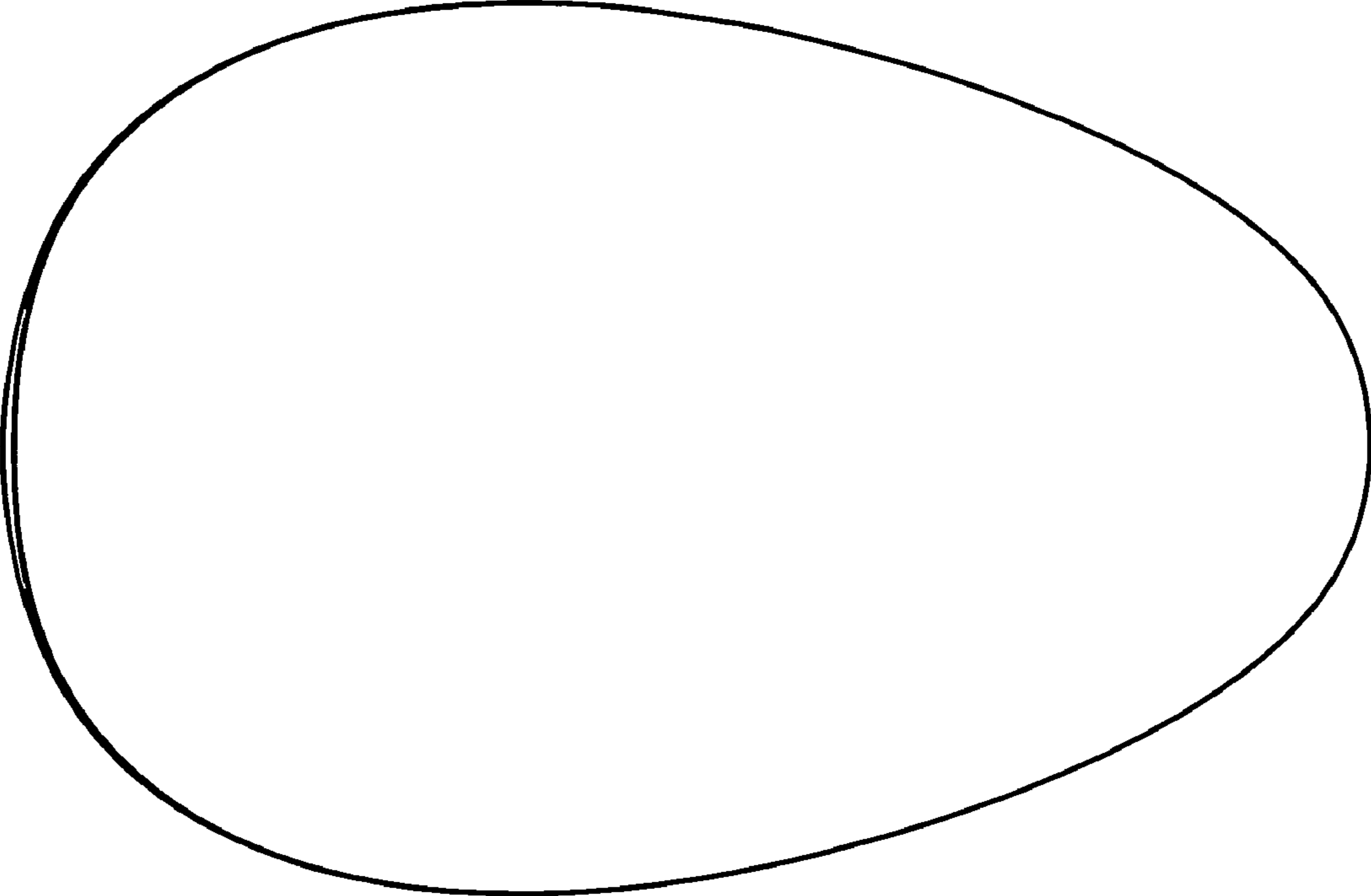


FIG.3

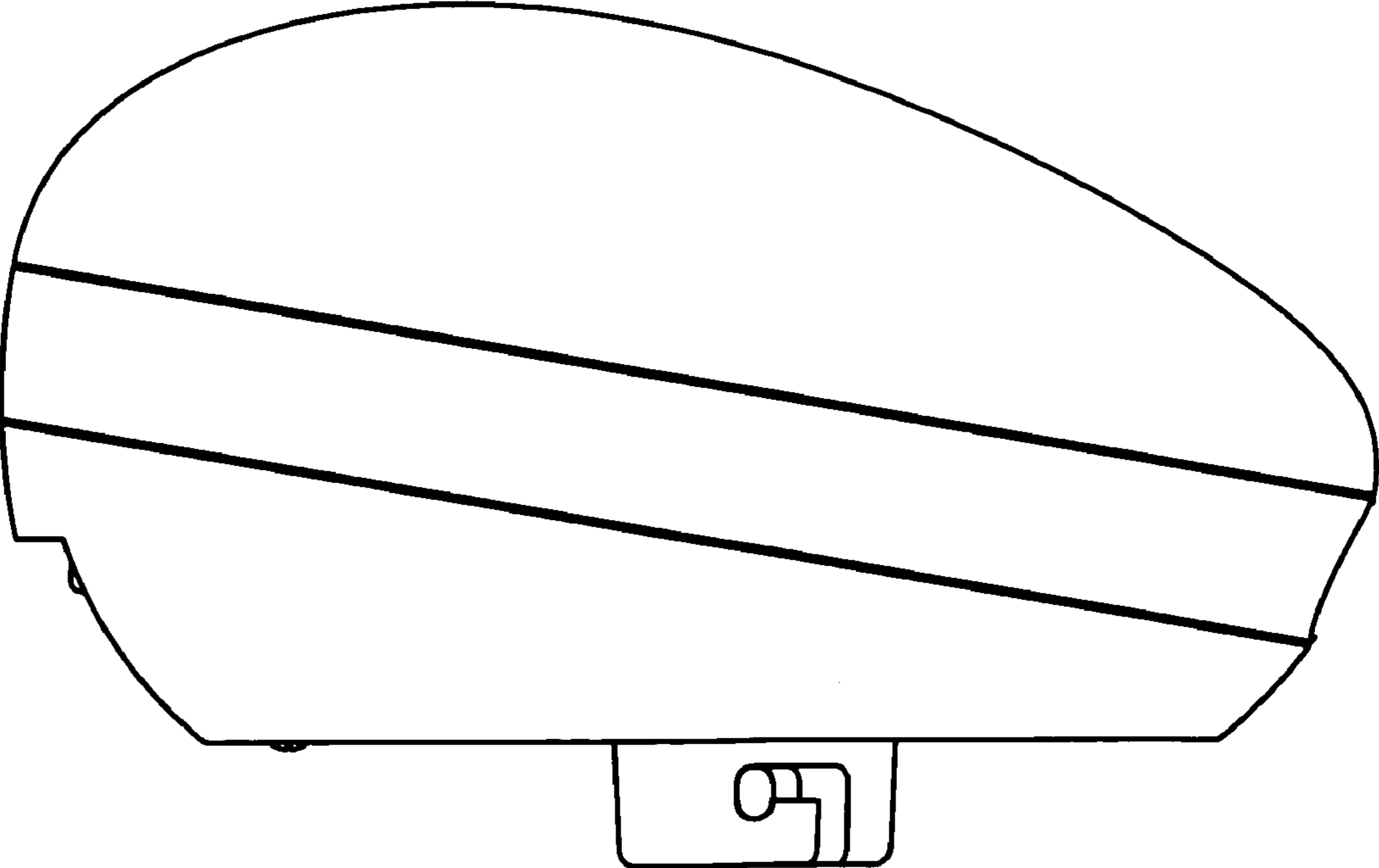


FIG.4

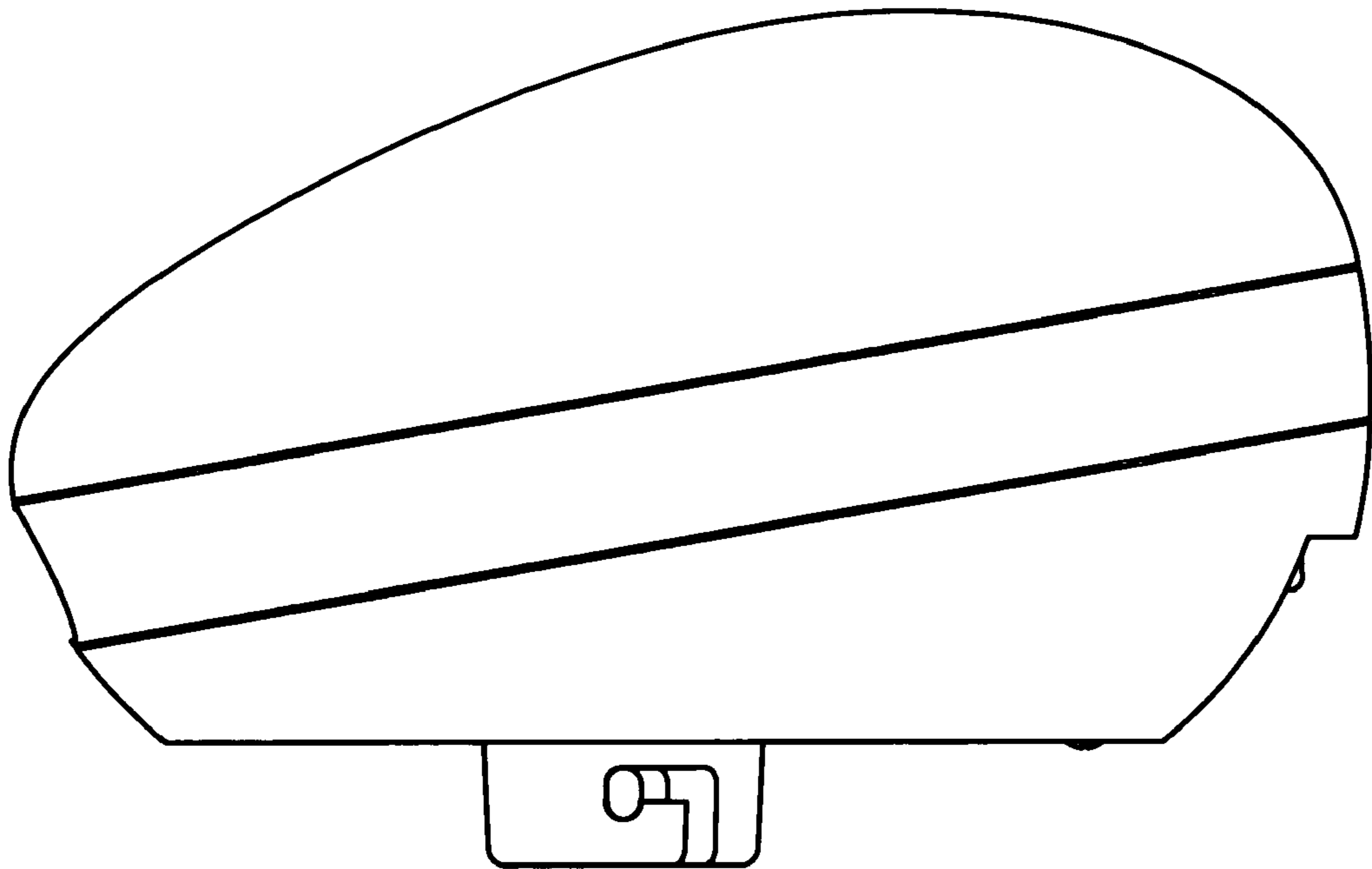


FIG.5

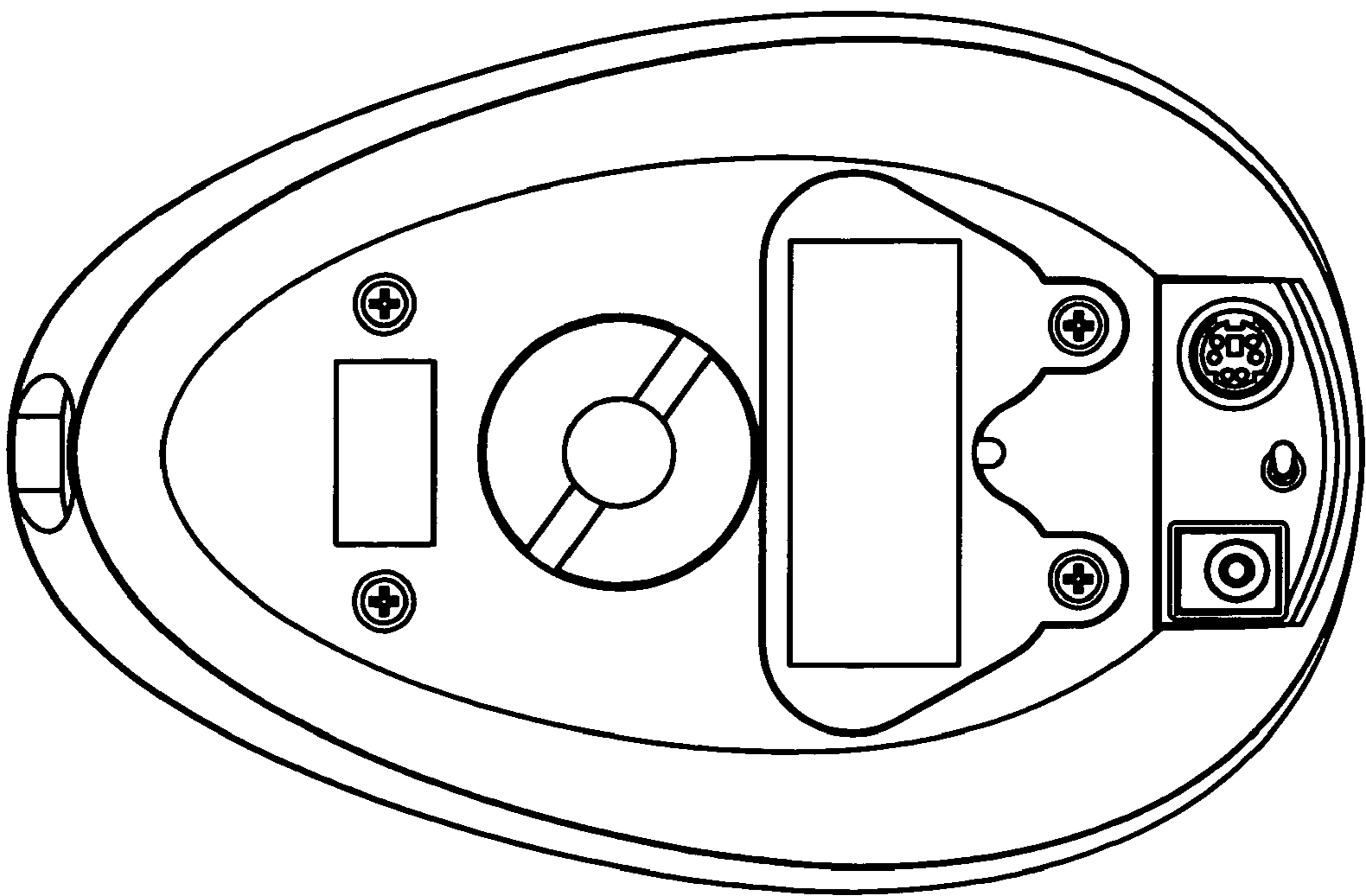


FIG.6

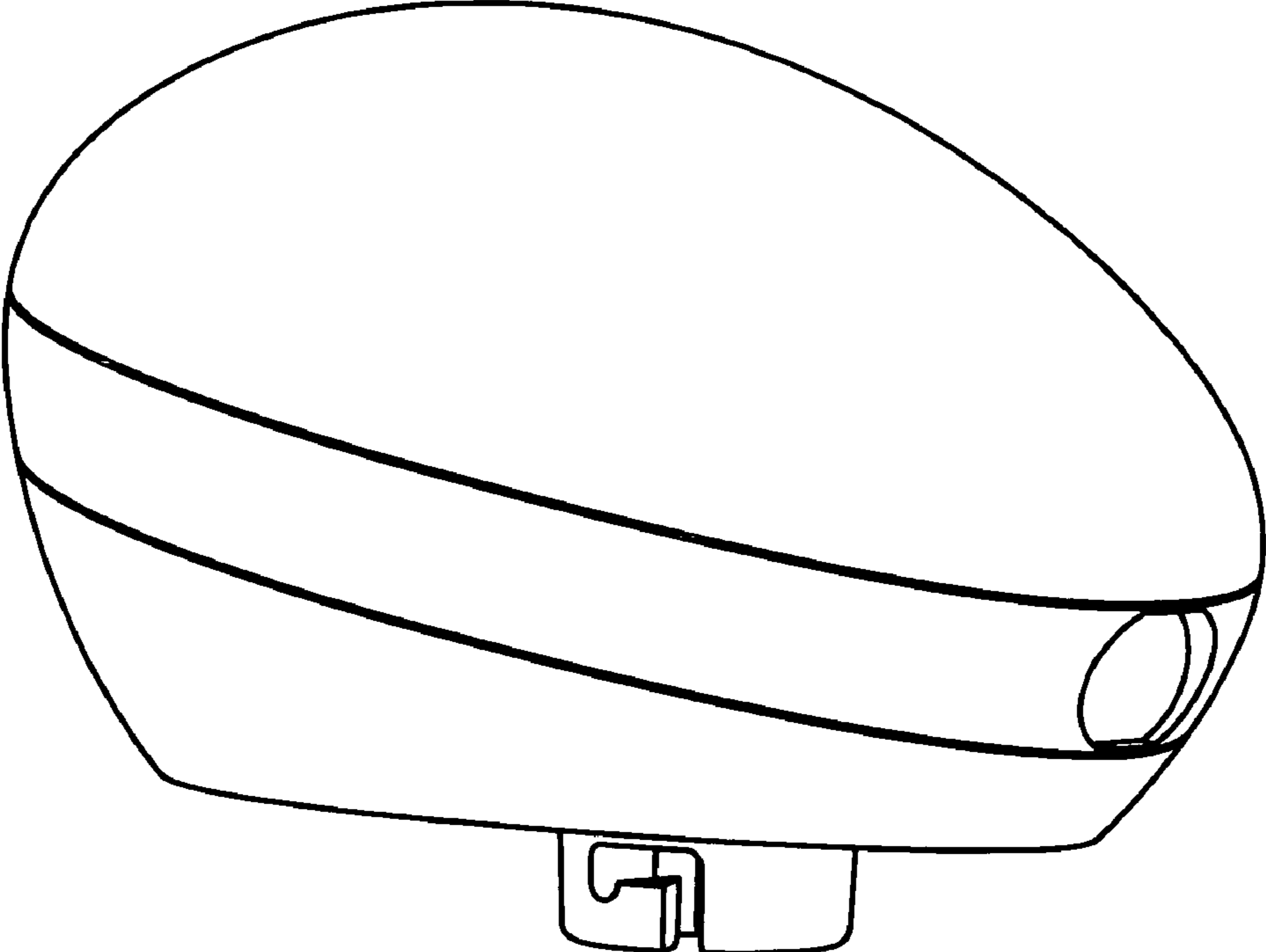


FIG. 7

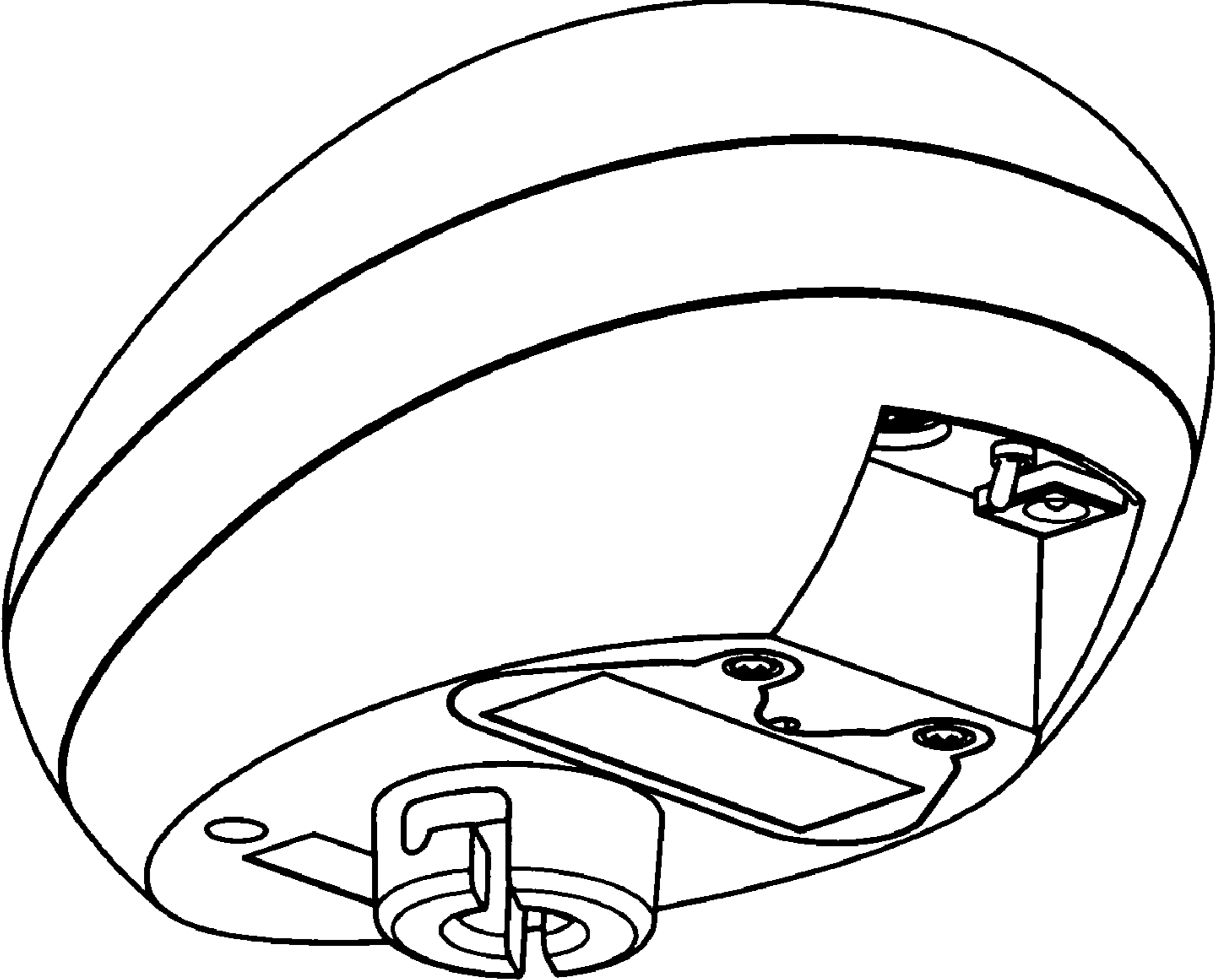


FIG. 8