



US00D625618S

(12) **United States Design Patent**  
**Chastaingt**

(10) **Patent No.:** **US D625,618 S**  
(45) **Date of Patent:** **\*\* Oct. 19, 2010**

(54) **WATCH CASE**

(75) Inventor: **Arnaud Chastaingt**, Paris (FR)

(73) Assignee: **Cartier Creation Studio SA** (CH)

(\*\*) Term: **14 Years**

(21) Appl. No.: **29/356,989**

(22) Filed: **Mar. 5, 2010**

(51) **LOC (9) Cl.** ..... **10-02**

(52) **U.S. Cl.** ..... **D10/38**

(58) **Field of Classification Search** ..... D10/30-39;  
368/276, 281, 282, 285

See application file for complete search history.

(56) **References Cited**

**U.S. PATENT DOCUMENTS**

D79,166 S *	8/1929	Roth	.....	D10/39
D250,693 S *	1/1979	Perrin	.....	D10/39
D308,178 S *	5/1990	Zaboyan	.....	D10/124
D310,333 S *	9/1990	Fong	.....	D10/32
D311,693 S *	10/1990	Woomer	.....	D10/39
D321,664 S *	11/1991	Kennedy	.....	D10/30
D336,859 S *	6/1993	Muller	.....	D10/30
D350,488 S *	9/1994	Dunay	.....	D10/30
D361,727 S *	8/1995	Koga	.....	D10/32
D454,310 S *	3/2002	Dostourian	.....	D10/30
D454,802 S *	3/2002	Hegi	.....	D10/39
D496,290 S *	9/2004	Plan	.....	D10/32
D505,085 S *	5/2005	Lalo	.....	D10/30

D527,653 S *	9/2006	Dias	.....	D10/32
D531,063 S *	10/2006	Reginelli	.....	D10/32
D540,200 S *	4/2007	Chastaingt	.....	D10/39
D544,376 S *	6/2007	Chodat	.....	D10/38
D569,277 S *	5/2008	Chastaingt	.....	D10/39
D614,973 S *	5/2010	Takahashi	.....	D10/32

\* cited by examiner

*Primary Examiner*—Lucy Lieberman

(74) *Attorney, Agent, or Firm*—Galbreath Law Offices, P.C.;  
John A. Galbreath

(57) **CLAIM**

The ornamental design for a watch case, as shown and described.

**DESCRIPTION**

FIG. 1 is a top view of the invention;

FIG. 2 is a bottom view of the invention;

FIG. 3 is a side view of the invention;

FIG. 4 is another side view of the invention, showing the side opposite that shown in FIG. 3;

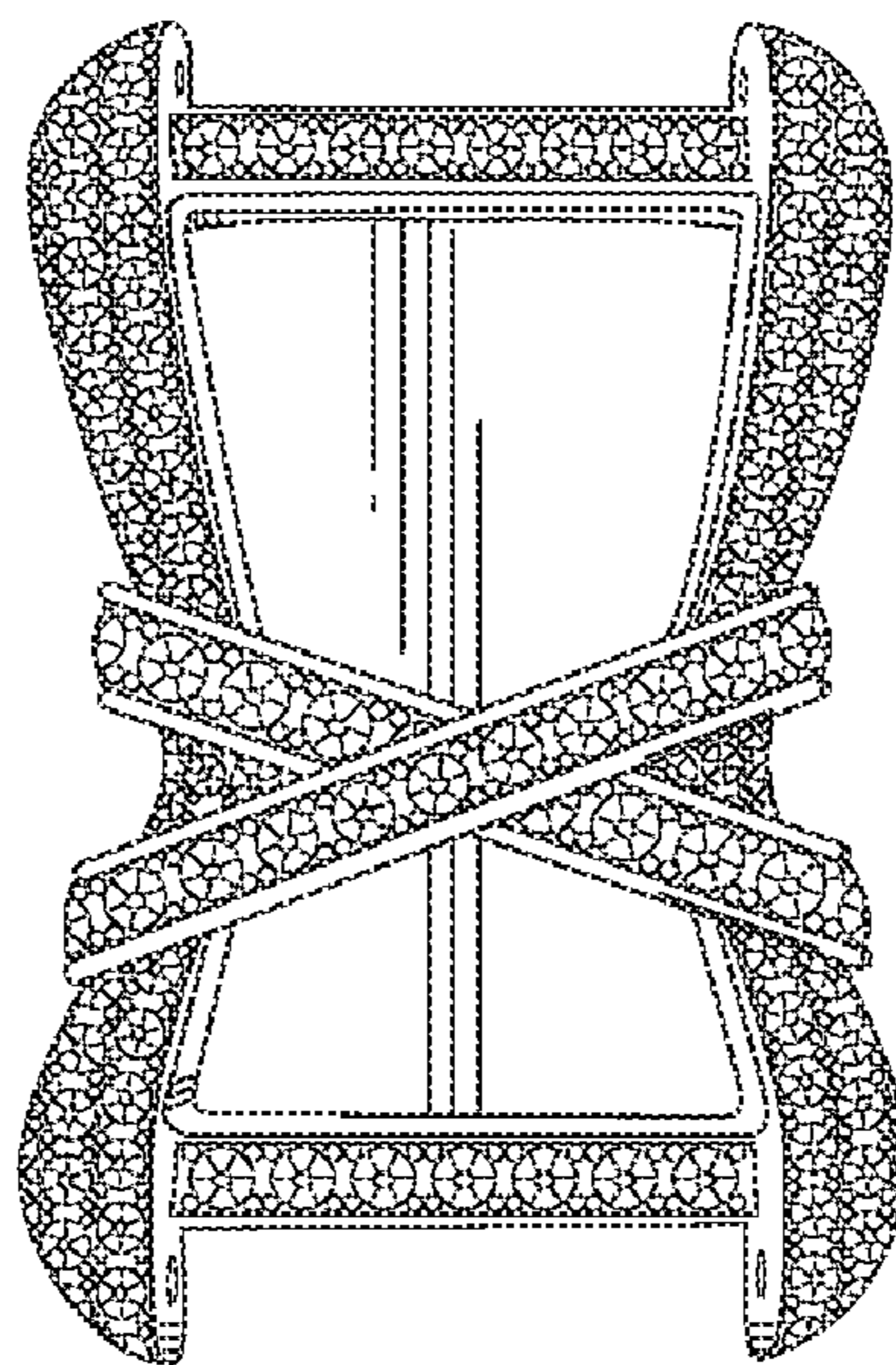
FIG. 5 is a front view of the invention;

FIG. 6 is a back view of the invention; and,

FIG. 7 is a perspective view of the invention.

The portions of the watch case that are shown in broken lines in the drawings are for illustrative purposes only and do not form part of the claimed design.

**1 Claim, 1 Drawing Sheet**



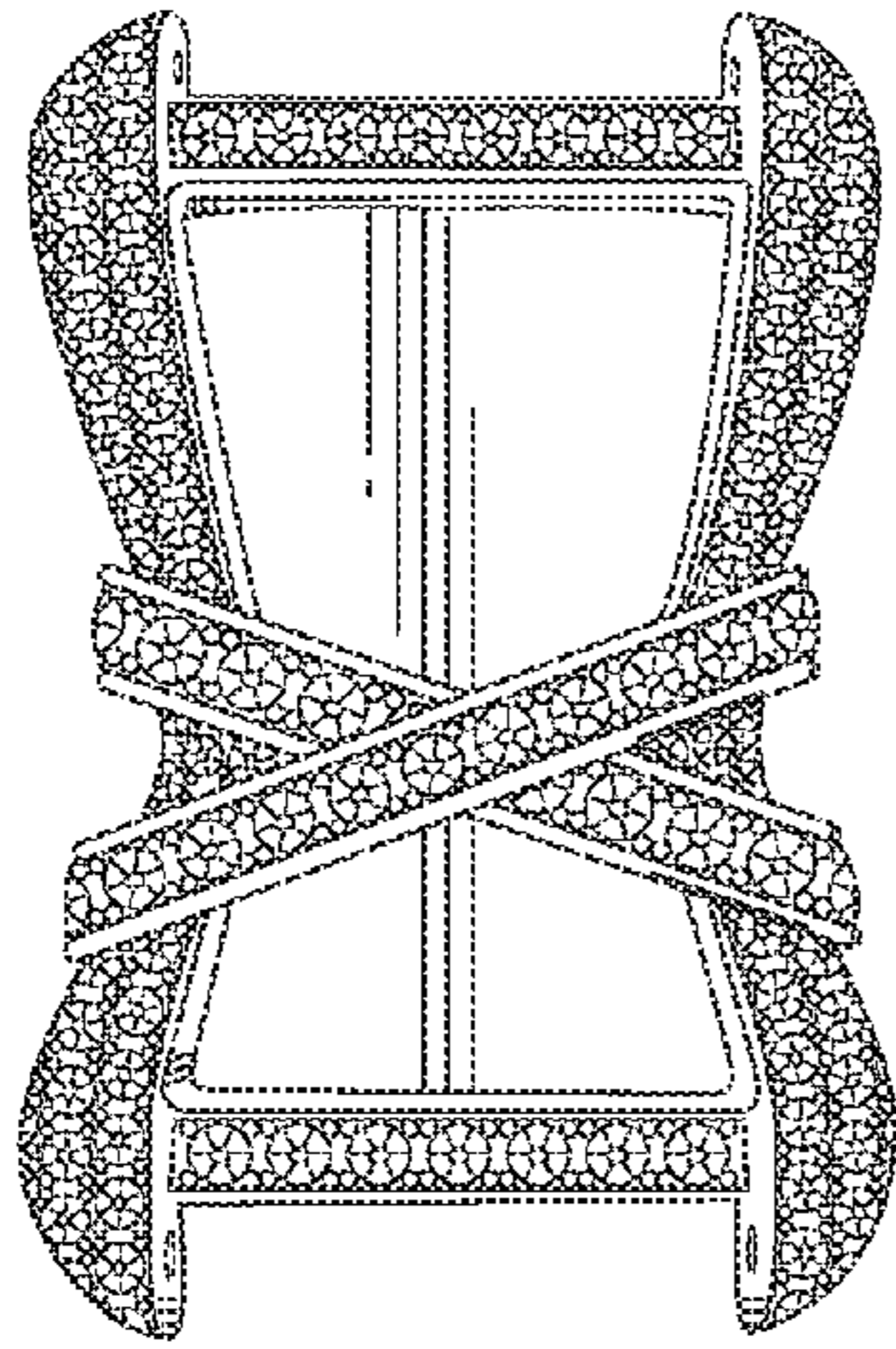


FIG. 1

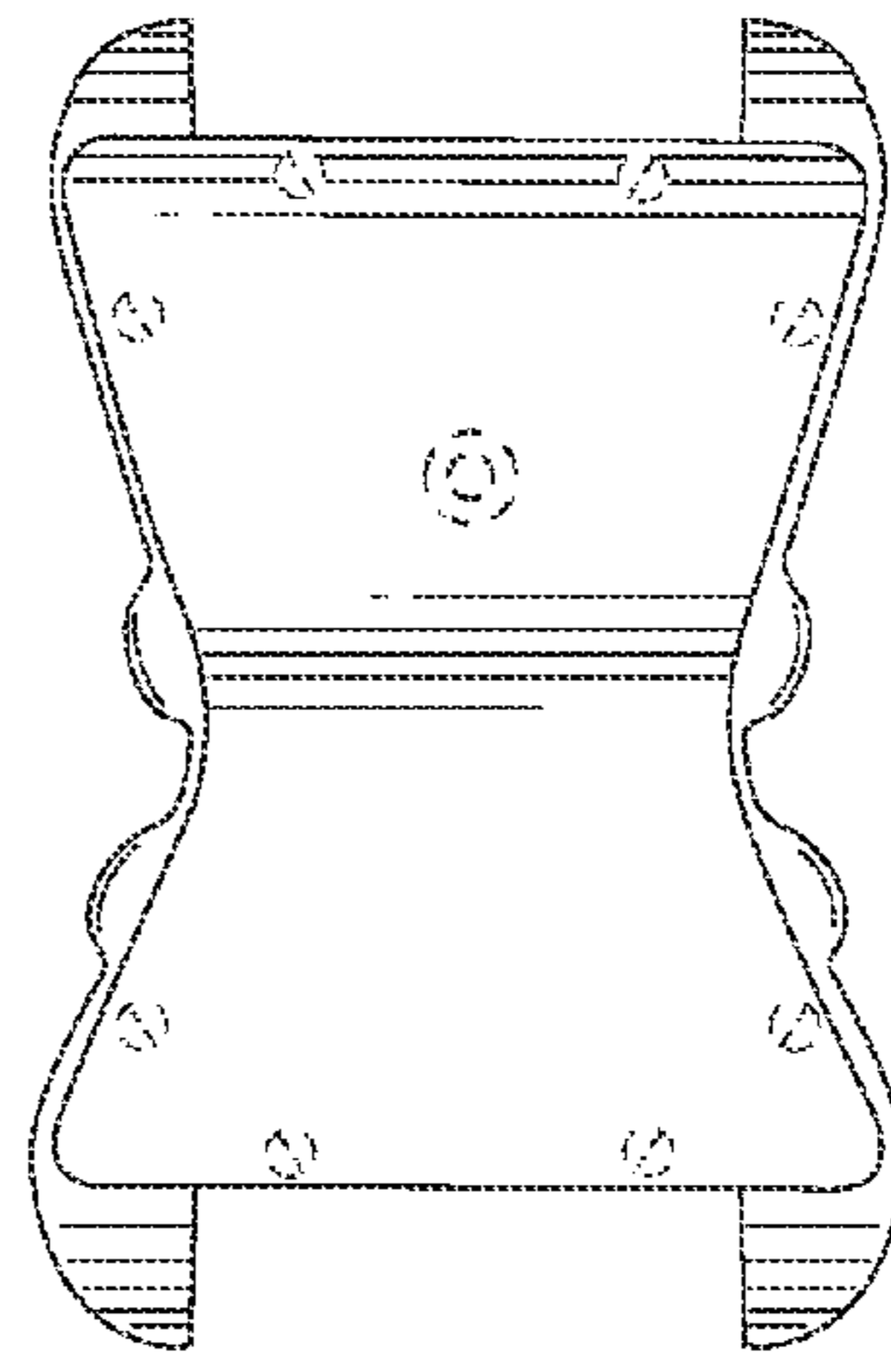


FIG. 2

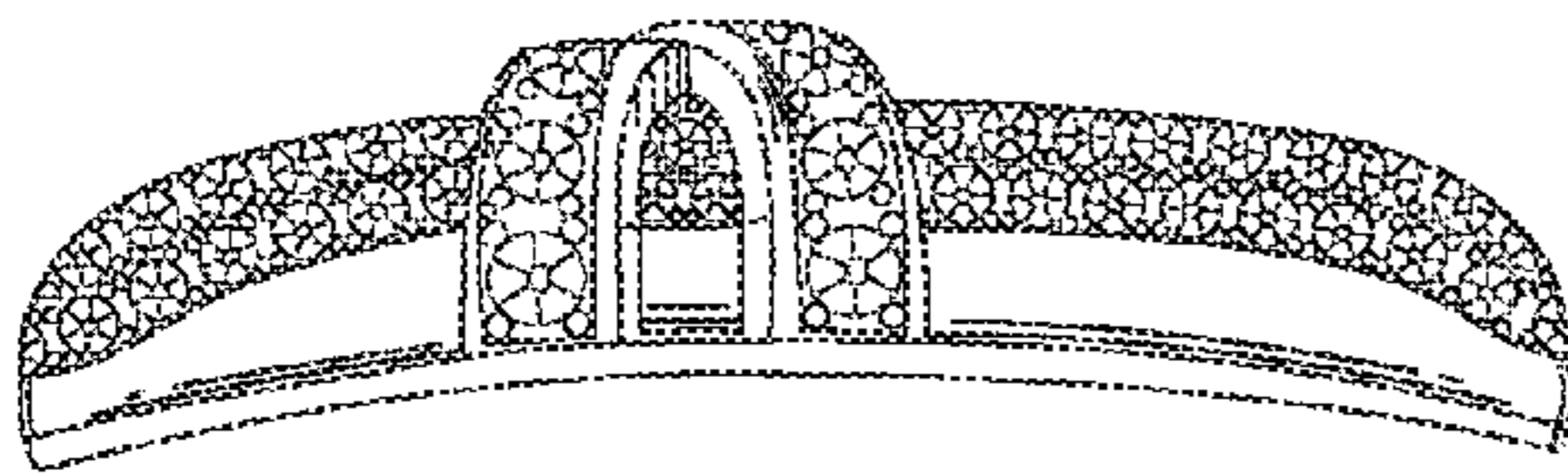


FIG. 3

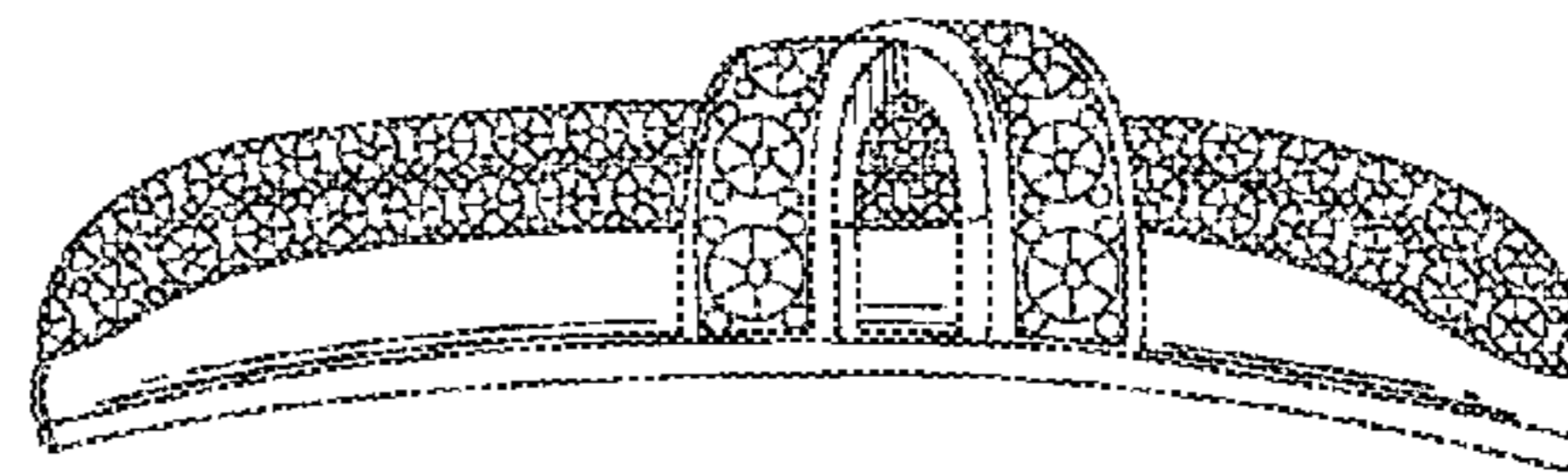


FIG. 4

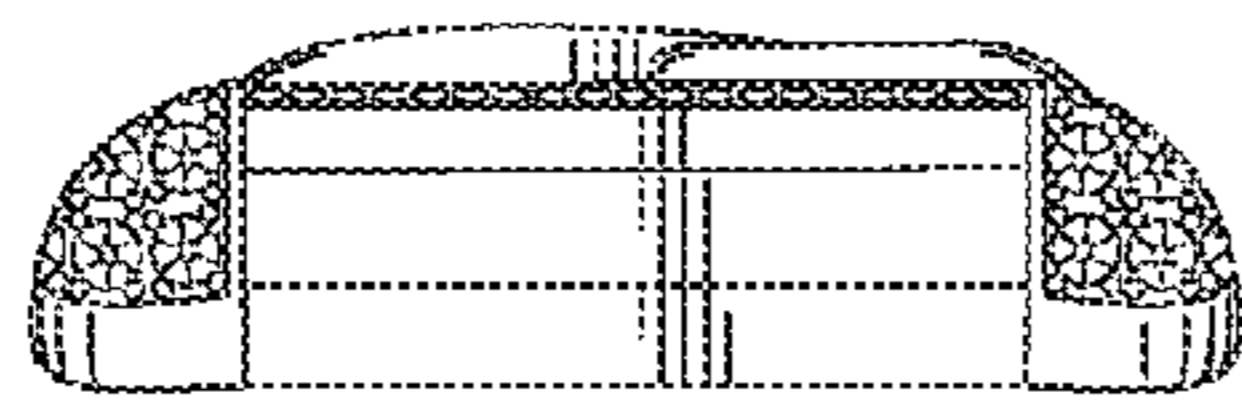


FIG. 5

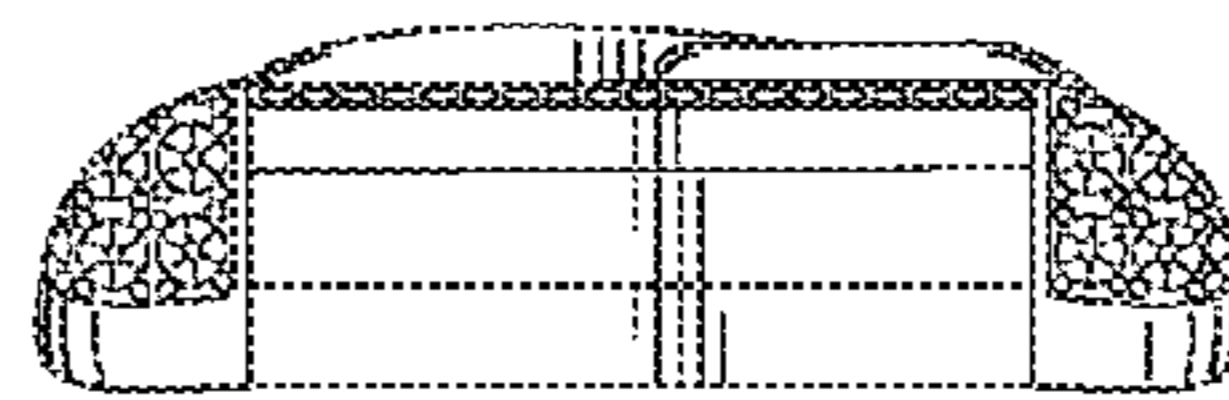


FIG. 6

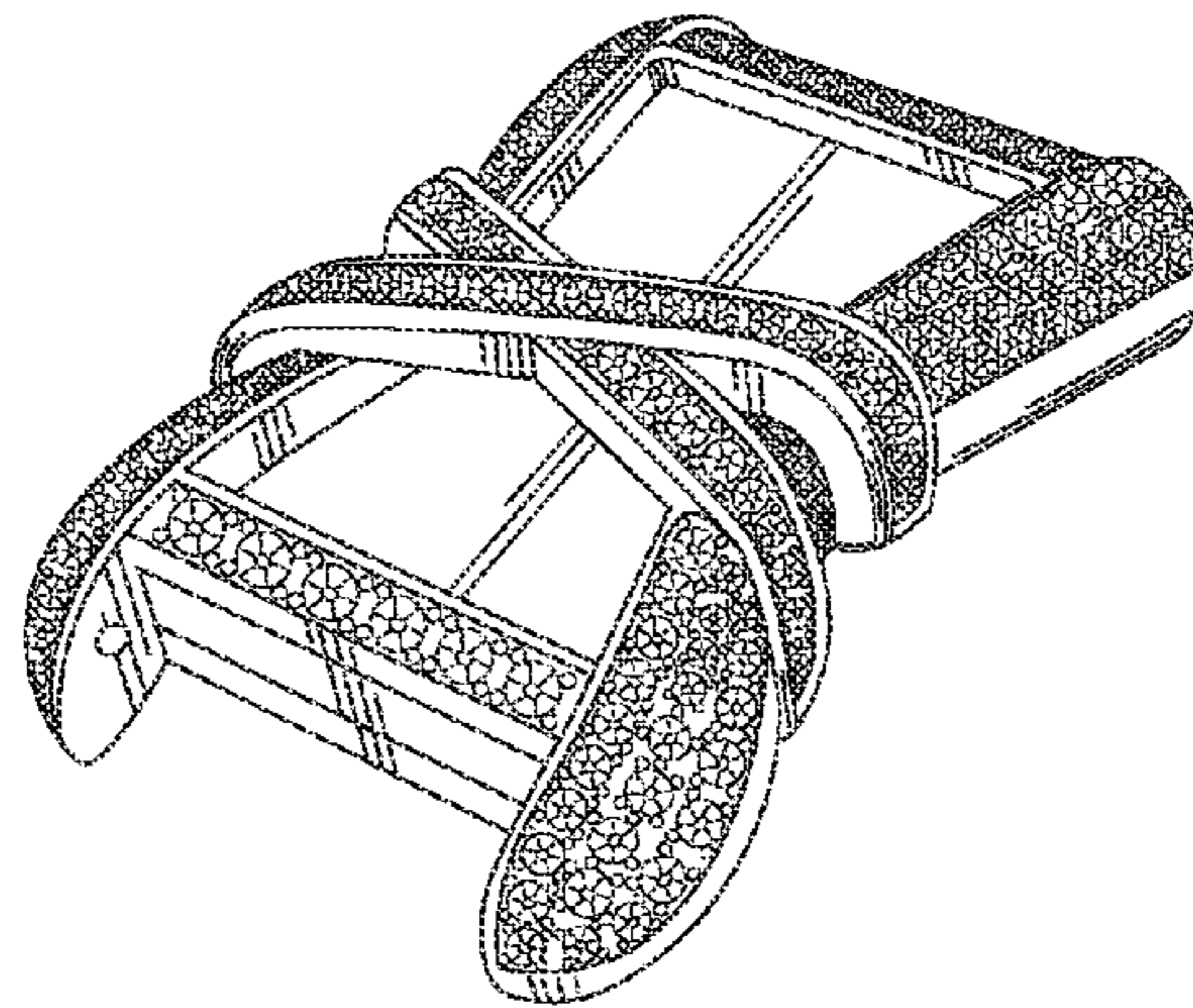


FIG. 7