



US00D625615S

(12) **United States Design Patent**
Py et al.

(10) **Patent No.:** **US D625,615 S**
(45) **Date of Patent:** **** Oct. 19, 2010**

- (54) **DISPENSER**
- (75) Inventors: **Daniel Py**, Larchmont, NY (US); **Julian V. Chan**, Spring Valley, NY (US); **Luz Gladys Valencia**, Stamford, CT (US)
- (73) Assignee: **Medical Instill Technologies, Inc.**, New Milford, CT (US)
- (**) Term: **14 Years**
- (21) Appl. No.: **29/352,150**
- (22) Filed: **Dec. 17, 2009**

- D315,095 S * 3/1991 Wright D9/503
- D331,874 S 12/1992 Schmidt
- D335,256 S 5/1993 Slavin et al.
- D353,197 S 12/1994 Hawks
- 5,505,341 A 4/1996 Gueret
- 5,738,067 A 4/1998 Landwehr et al.
- 5,772,347 A 6/1998 Gueret
- 5,879,095 A 3/1999 Gueret
- D414,688 S 10/1999 Loeb et al.
- 6,010,036 A 1/2000 Bougamont et al.
- 6,073,813 A 6/2000 Tanner
- D433,192 S 10/2000 Gavin
- D437,663 S 2/2001 Lang et al.
- 6,409,406 B1 6/2002 Schwartzman
- D479,466 S 9/2003 Bremner et al.

Related U.S. Application Data

- (62) Division of application No. 29/318,782, filed on May 28, 2008, now Pat. No. Des. 608,659, which is a division of application No. 29/245,373, filed on Dec. 22, 2005, now Pat. No. Des. 579,786.

- (51) **LOC (9) Cl.** **09-03**
- (52) **U.S. Cl.** **D9/727**
- (58) **Field of Classification Search** D9/434,
D9/454, 723-727; D23/213; D28/88, 89;
D19/35, 41, 43, 45, 51, 57, 65, 66, 70; 221/64,
221/65, 135, 208, 278, 282; 222/105, 394,
222/402.1, 402.15, 546
See application file for complete search history.

(56) **References Cited**

U.S. PATENT DOCUMENTS

- 2,252,542 A 8/1941 Beeh
- 2,388,321 A 11/1945 Gereke
- 2,442,503 A 6/1948 Melnikoff
- 2,642,607 A 6/1953 Bozzalla
- 2,715,236 A 8/1955 Tereno
- 2,725,595 A 12/1955 Sisk et al.
- 2,732,736 A 1/1956 Bonnie
- 2,743,042 A 4/1956 Burgin
- 3,864,047 A 2/1975 Sherrod
- 4,002,182 A 1/1977 Michel
- D259,768 S * 7/1981 Banasiak, Jr. D9/780
- D278,600 S * 4/1985 Fortuna D9/556

(Continued)

Primary Examiner—Shanda C Hill
(74) *Attorney, Agent, or Firm*—McCarter & English, LLP

(57) **CLAIM**

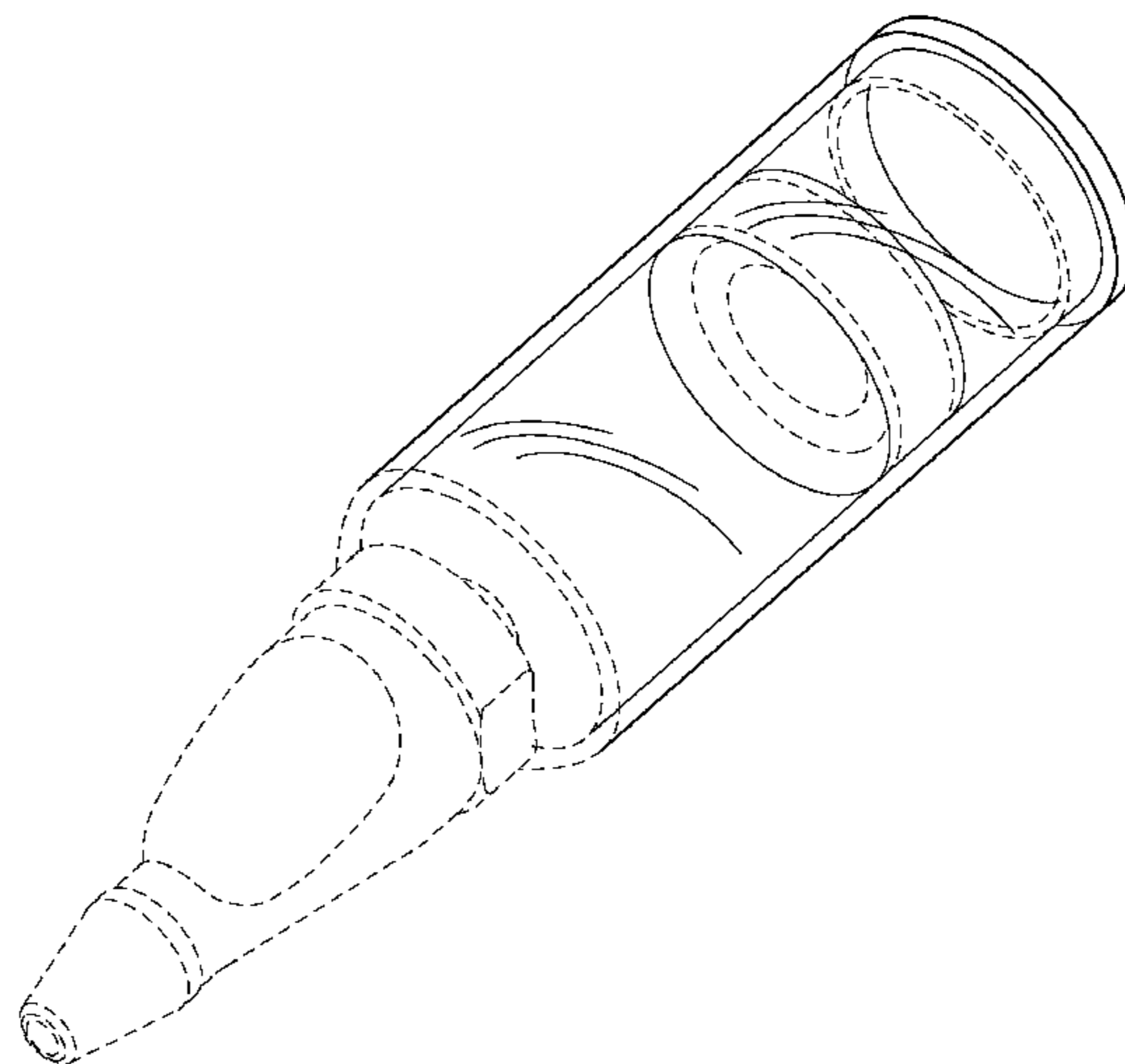
The ornamental design for a dispenser, as shown and described.

DESCRIPTION

FIG. 1 is a top, right perspective view of a dispenser of the present invention;
 FIG. 2 is a right side elevational view thereof;
 FIG. 3 is a top plan view thereof;
 FIG. 4 is a left side elevational view thereof;
 FIG. 5 is a bottom plan view thereof;
 FIG. 6 is a front elevational view thereof; and,
 FIG. 7 is a rear elevational view thereof.

The broken lines in the figures show structure or boundaries that are not part of the claimed design, but rather show the environment in which the design is associated, or show portions of the article in which the design is embodied or applied to that are not considered part of the claimed design.

1 Claim, 4 Drawing Sheets



US D625,615 S

Page 2

U.S. PATENT DOCUMENTS

6,688,317 B2	2/2004	Gueret				
D491,066 S *	6/2004	Le Goff	D9/500			
D491,661 S *	6/2004	Ringstrom	D24/130			
6,745,781 B2	6/2004	Gueret				
D507,680 S	7/2005	Py et al.				
D516,251 S	2/2006	Py et al.				
				D543,411 S *	5/2007	Rittberg D7/354
				D543,469 S	5/2007	Py et al.
				D554,183 S	10/2007	Paulus et al.
				D579,324 S *	10/2008	Schmidt D9/418
				2004/0161292 A1	8/2004	Breidenbach et al.

* cited by examiner

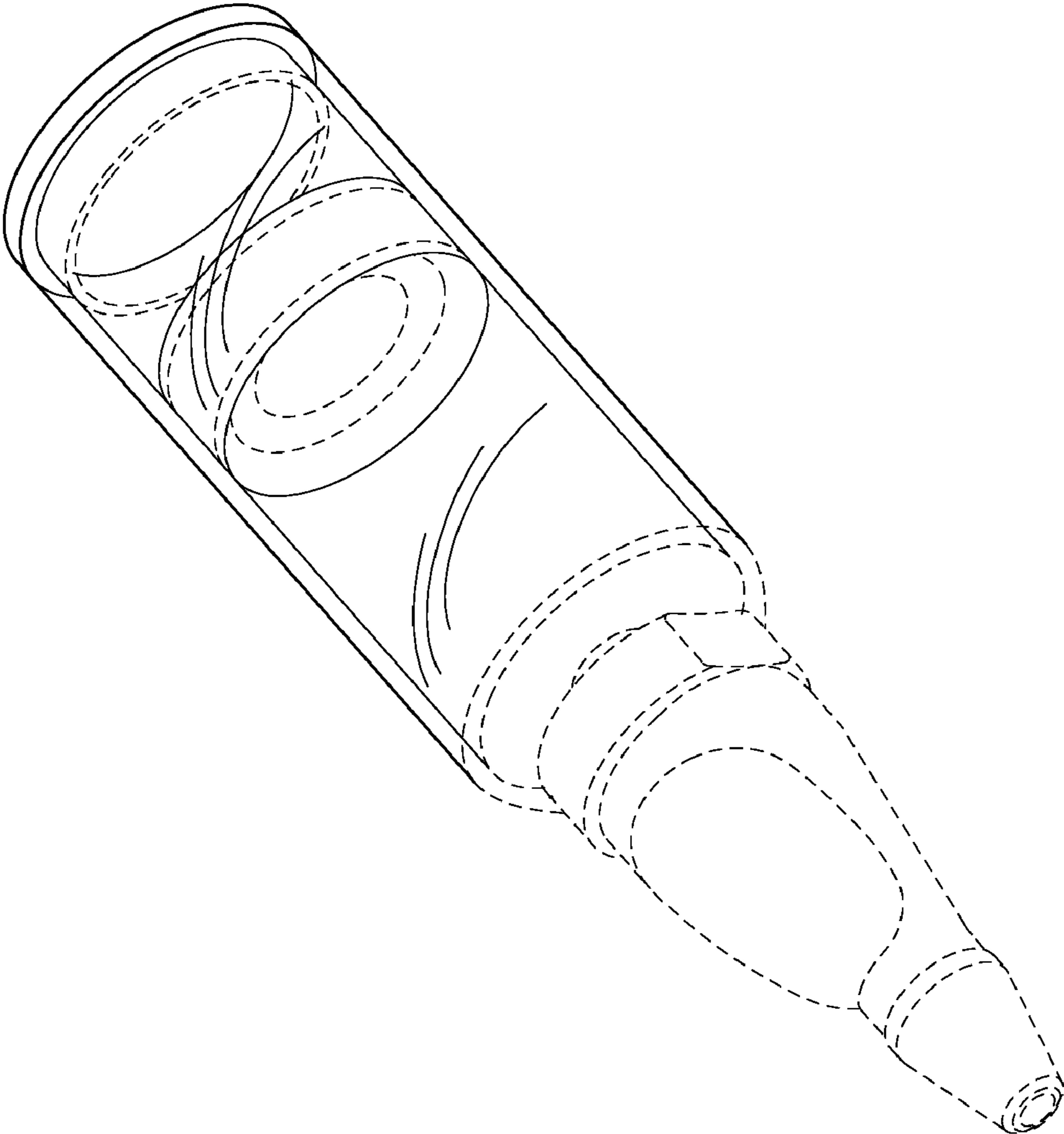


FIG. 1

FIG. 2

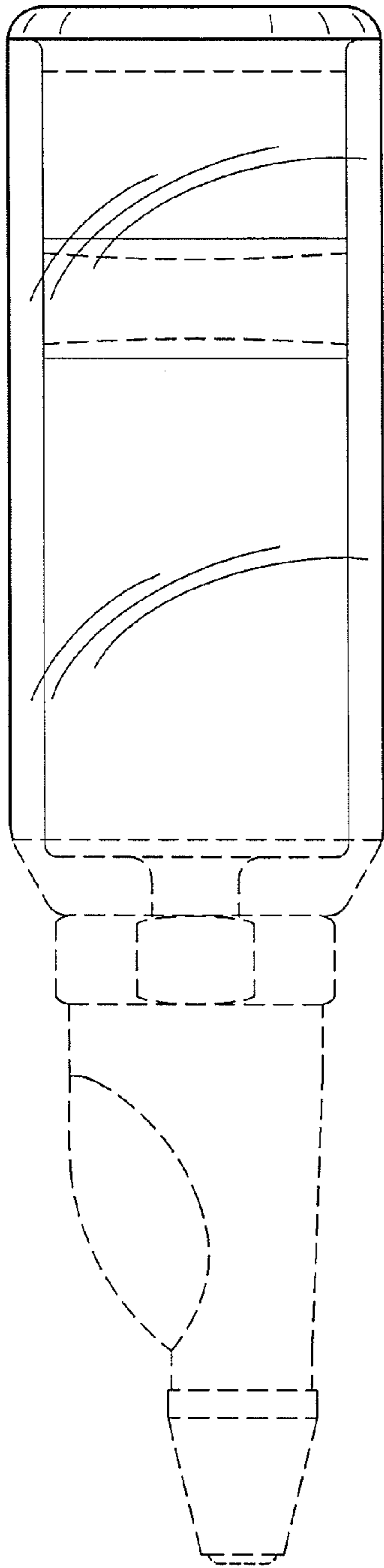


FIG. 3

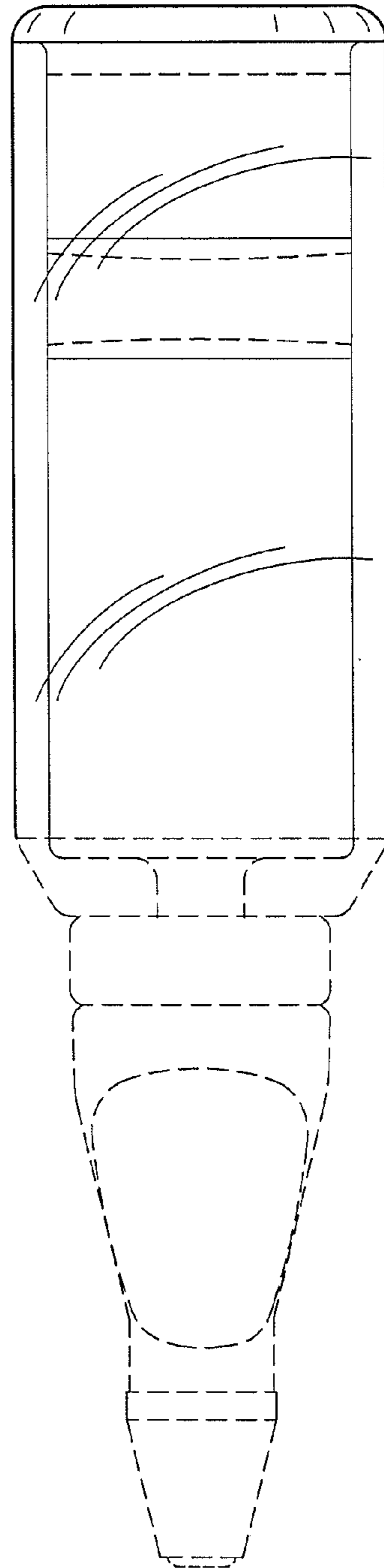


FIG. 4

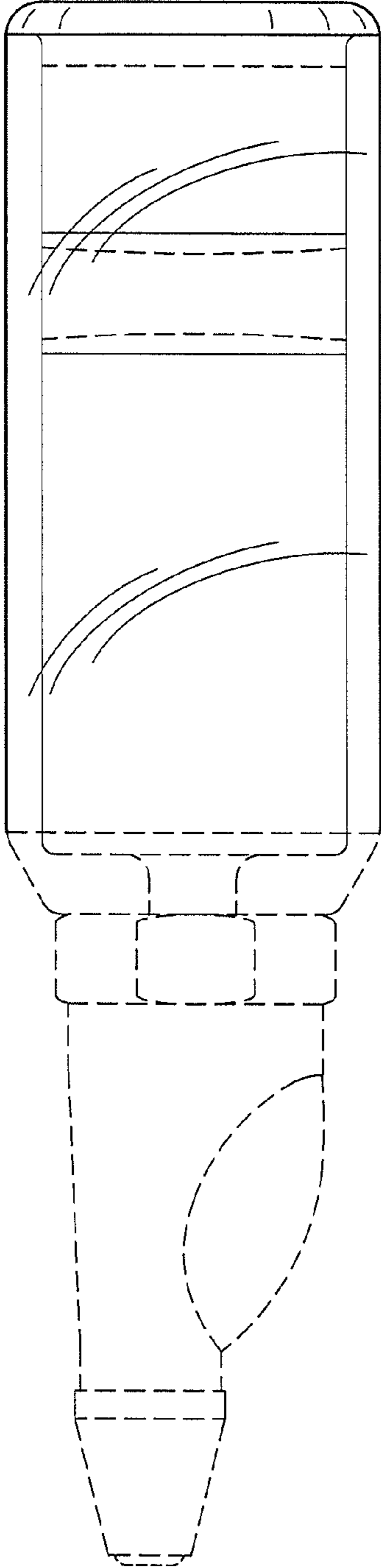


FIG. 5

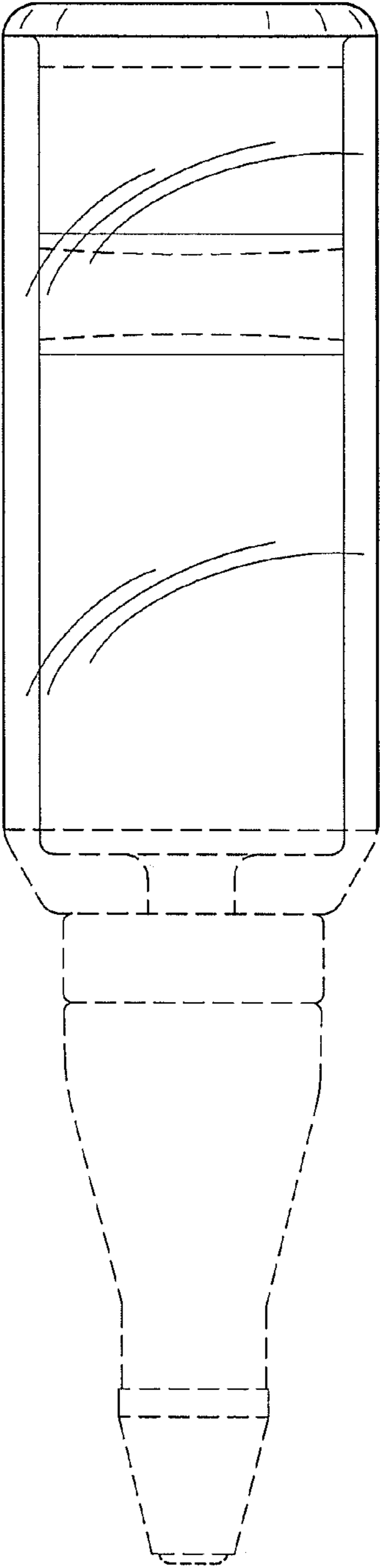


FIG. 7

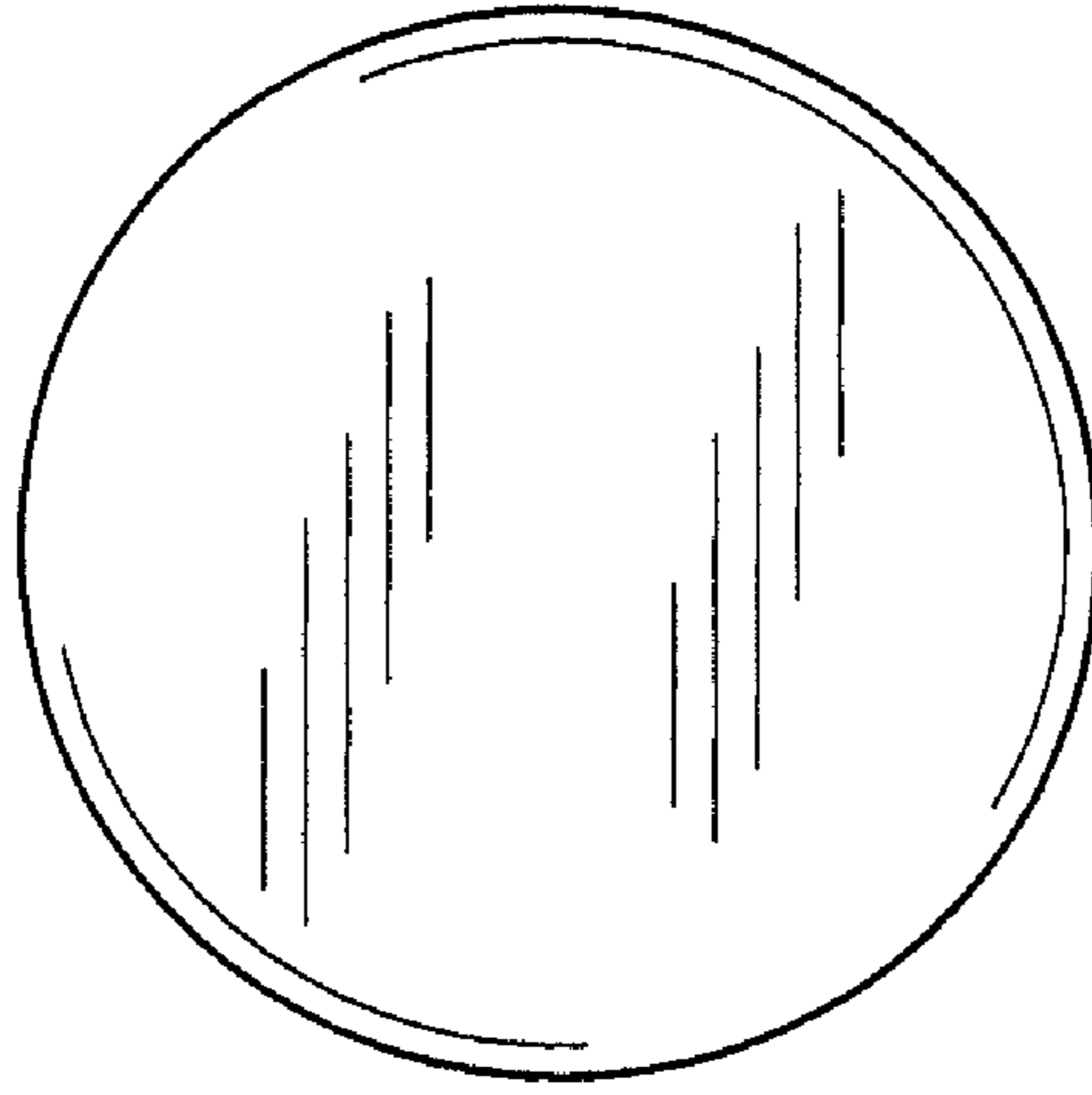


FIG. 6

