



US00D625613S

(12) **United States Design Patent**
Cowan-Hughes et al.

(10) **Patent No.:** **US D625,613 S**

(45) **Date of Patent:** **** Oct. 19, 2010**

(54) **PACKAGING**

(75) Inventors: **John Cowan-Hughes**, Worcs (GB);
Hayley Woolford, Hampshire (GB);
Bruce Hannant, Battersea (GB)

(73) Assignee: **Mars, Incorporated**, McLean, VA (US)

(**) Term: **14 Years**

(21) Appl. No.: **29/356,206**

(22) Filed: **Feb. 22, 2010**

(51) **LOC (9) Cl.** **09-05**

(52) **U.S. Cl.** **D9/703**

(58) **Field of Classification Search** D9/702-714,
D9/720-722, 435, 415-416, 430-433; 383/104,
383/120-121, 107, 114, 61.1, 61.2; 229/200,
229/201, 125.15, 213; 222/107; D3/303,
D3/273, 232, 203.1; 426/106; 206/541,
206/223; 220/495.03; 53/456, 459
See application file for complete search history.

(56) **References Cited**

U.S. PATENT DOCUMENTS

D271,944 S *	12/1983	Wood	D9/416
D350,689 S *	9/1994	Chao	D9/704
D421,898 S *	3/2000	Strange	D9/711
D472,139 S *	3/2003	Rizzuto, Jr.	D9/709
D504,622 S *	5/2005	Takahashi et al.	D9/707
D528,010 S *	9/2006	Yashima et al.	D9/702

D535,569 S *	1/2007	Hunter	D9/703
D546,520 S *	7/2007	Glas	D34/1
D597,851 S *	8/2009	Rea et al.	D9/703
D608,656 S *	1/2010	Wilkes et al.	D9/704

* cited by examiner

Primary Examiner—Caron Veynar

Assistant Examiner—Abraham Bahta

(74) *Attorney, Agent, or Firm*—Arent Fox LLP

(57) **CLAIM**

The ornamental design for a packaging, as shown and described.

DESCRIPTION

FIG. 1 is a perspective view of a packaging showing our new design;

FIG. 2 is a front view of the design shown in FIG. 1;

FIG. 3 is a rear view of the design shown in FIG. 1;

FIG. 4 is a left side view of the design shown in FIG. 1;

FIG. 5 is a right side view of the design shown in FIG. 1;

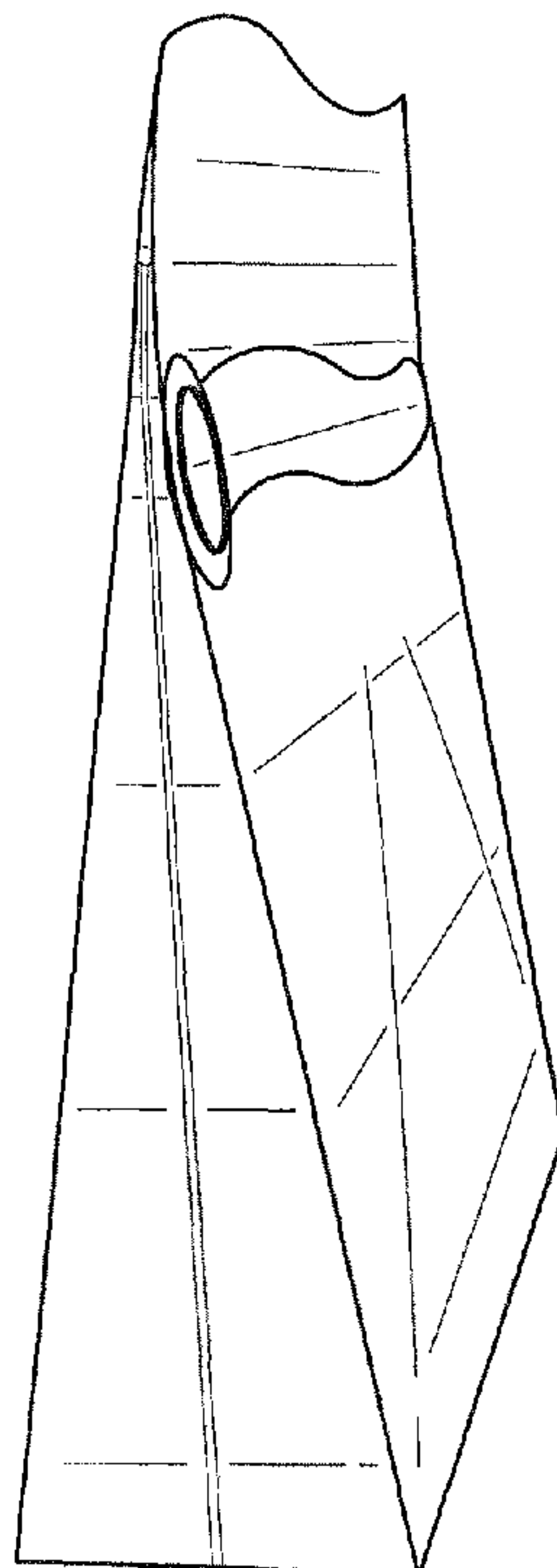
FIG. 6 is a top view of the design shown in FIG. 1;

FIG. 7 is a bottom view of the design shown in FIG. 1; and,

FIG. 8 is a front view of an opening mechanism as applied to a packaging shown in FIG. 1.

The broken lines in FIG. 8 form part of the claimed design and represent perforations.

1 Claim, 6 Drawing Sheets



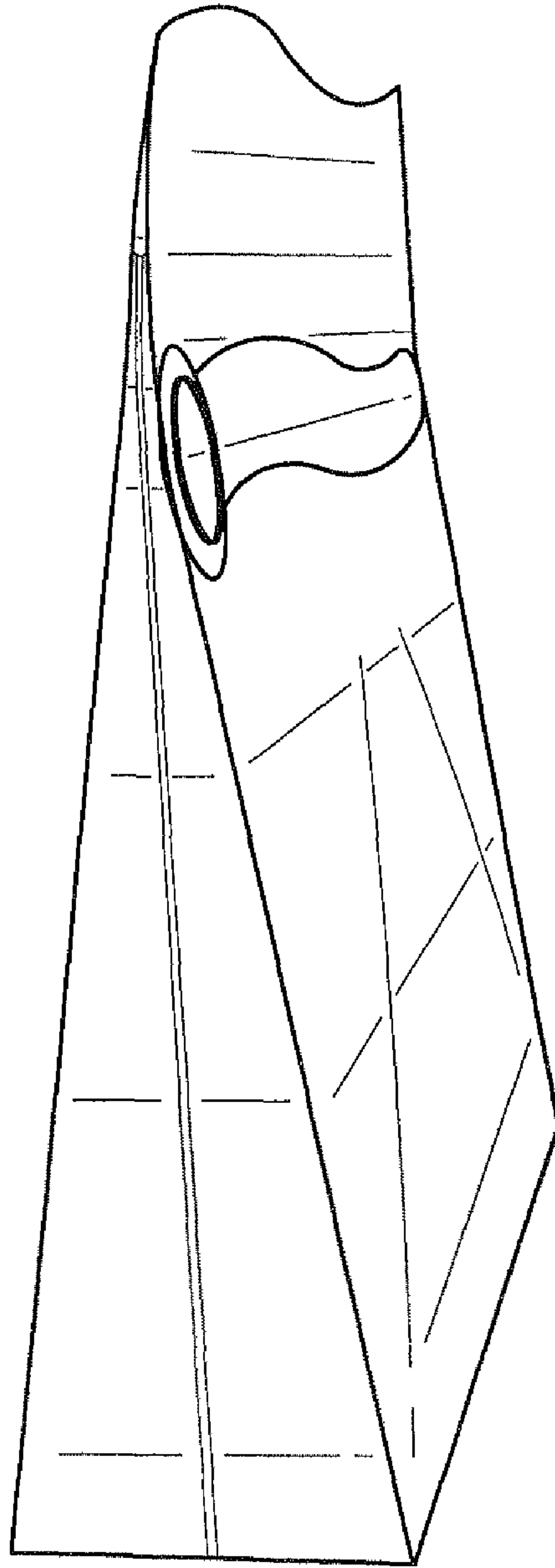


FIG. 1

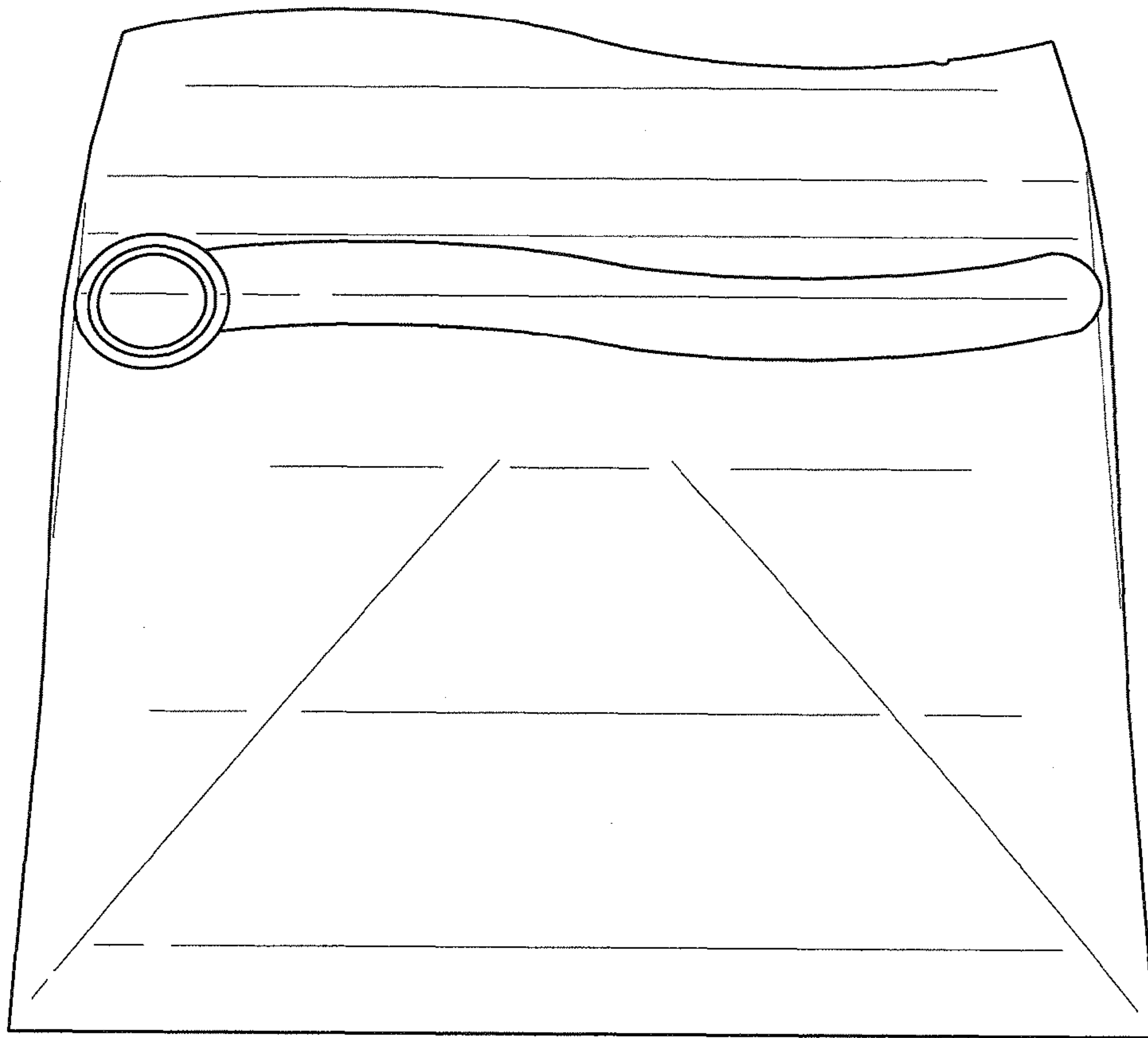


FIG.2

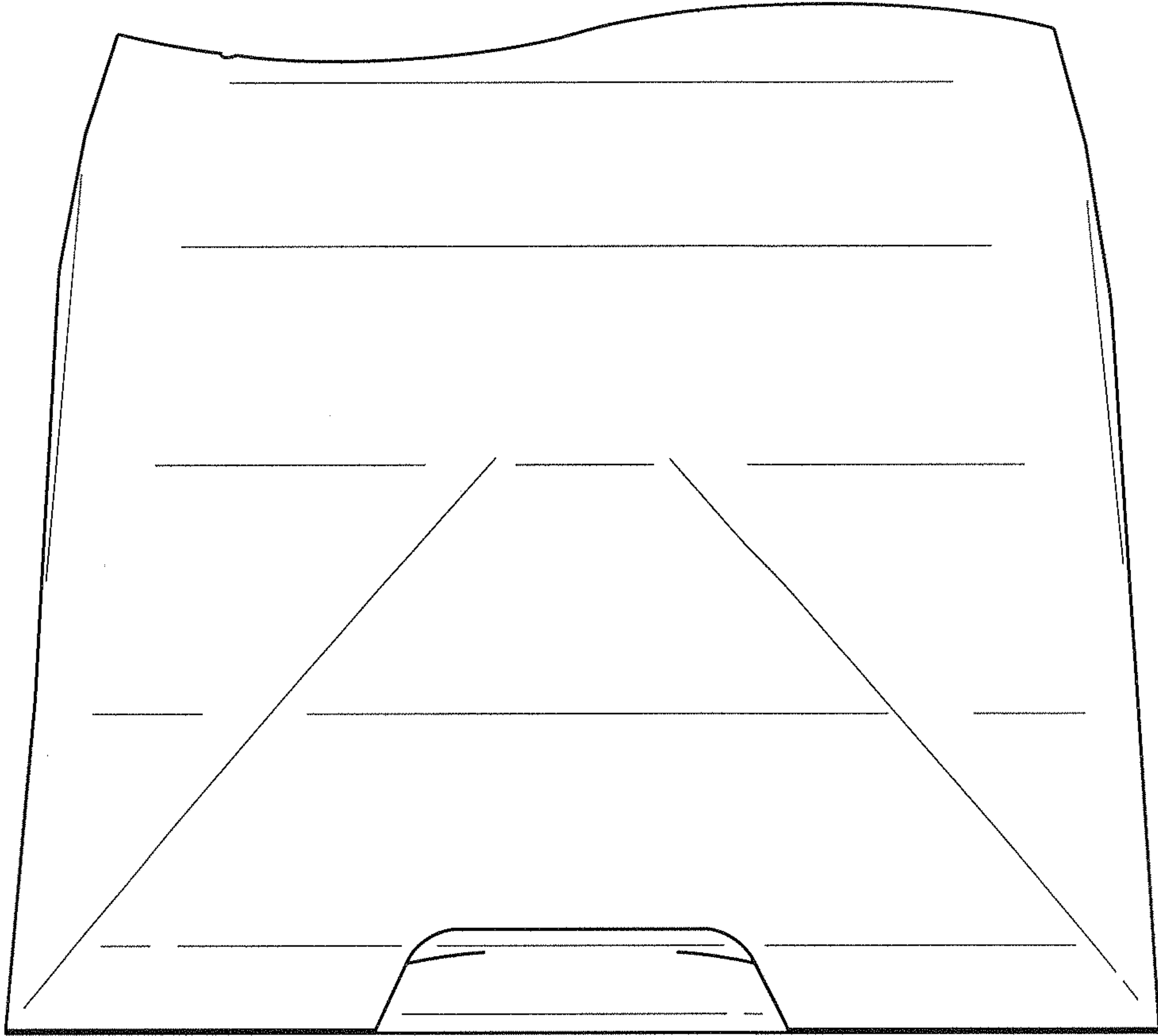


FIG.3

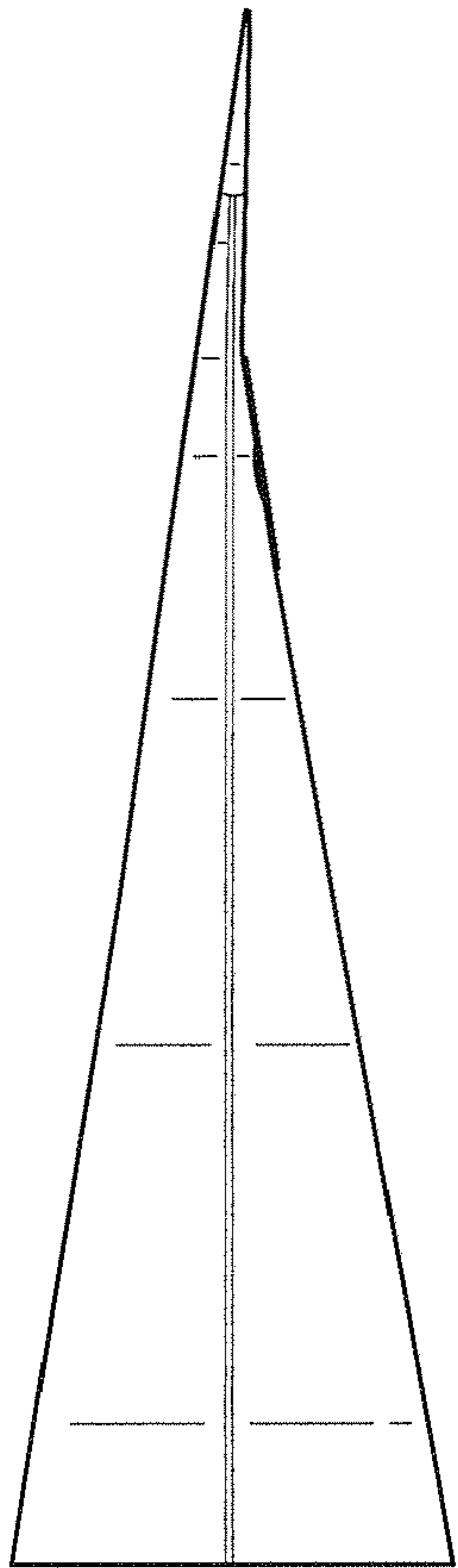


FIG. 4

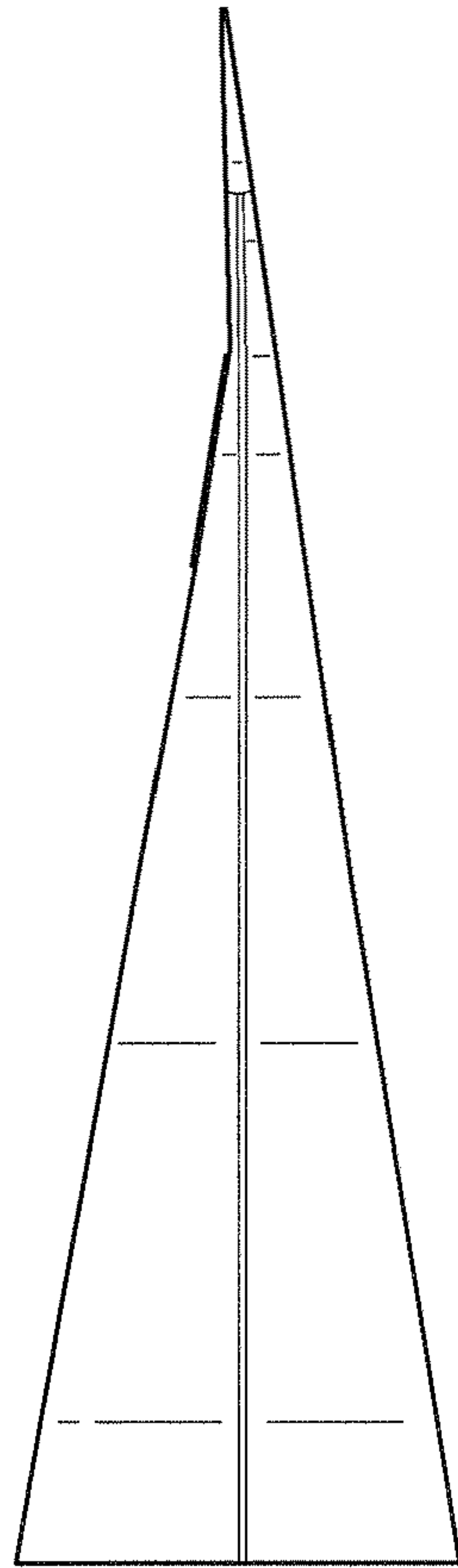


FIG. 5

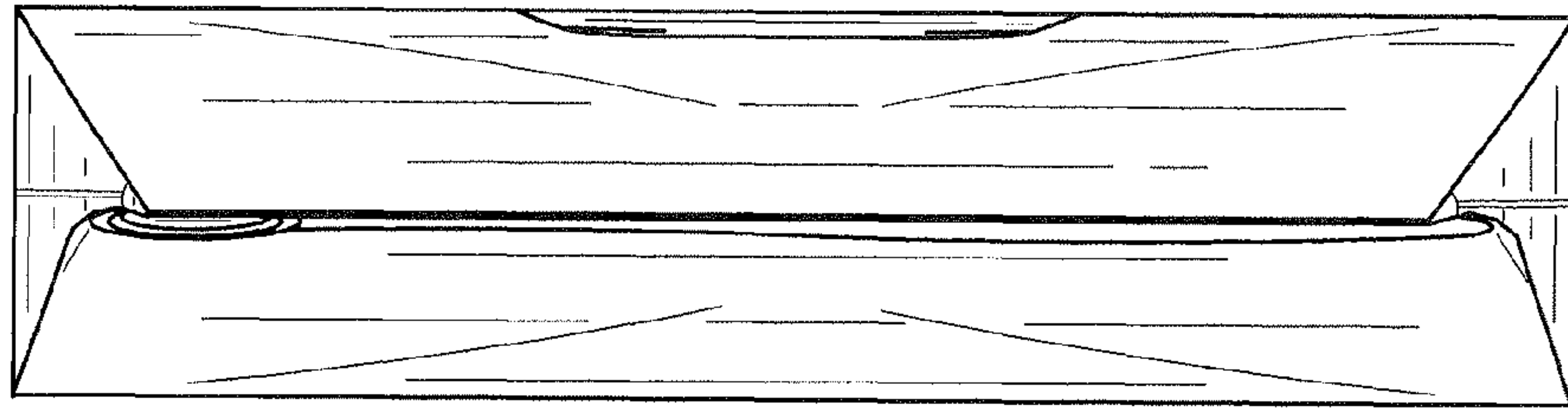


FIG. 6

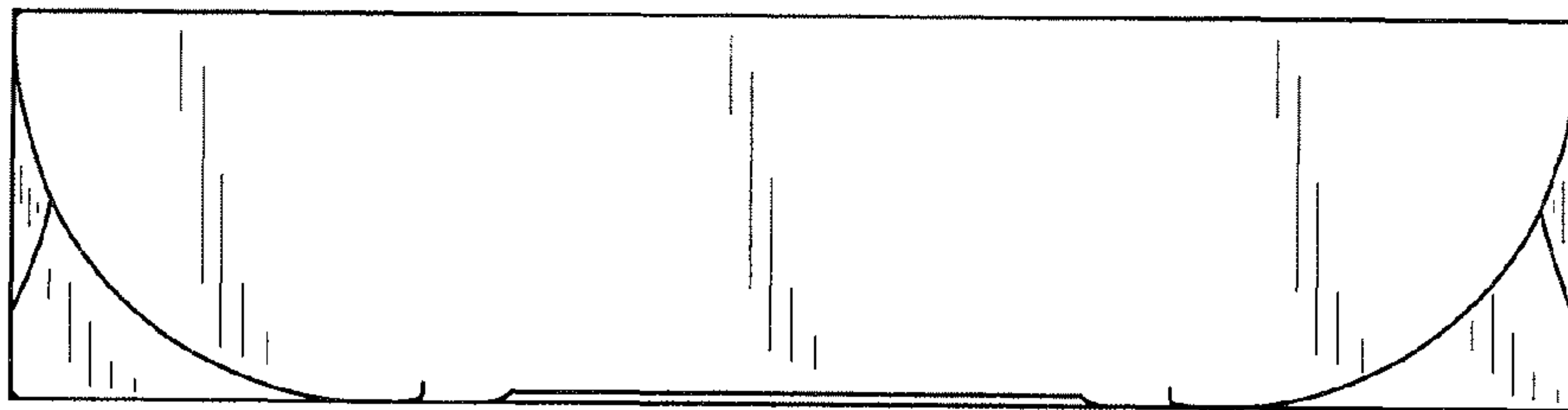


FIG. 7

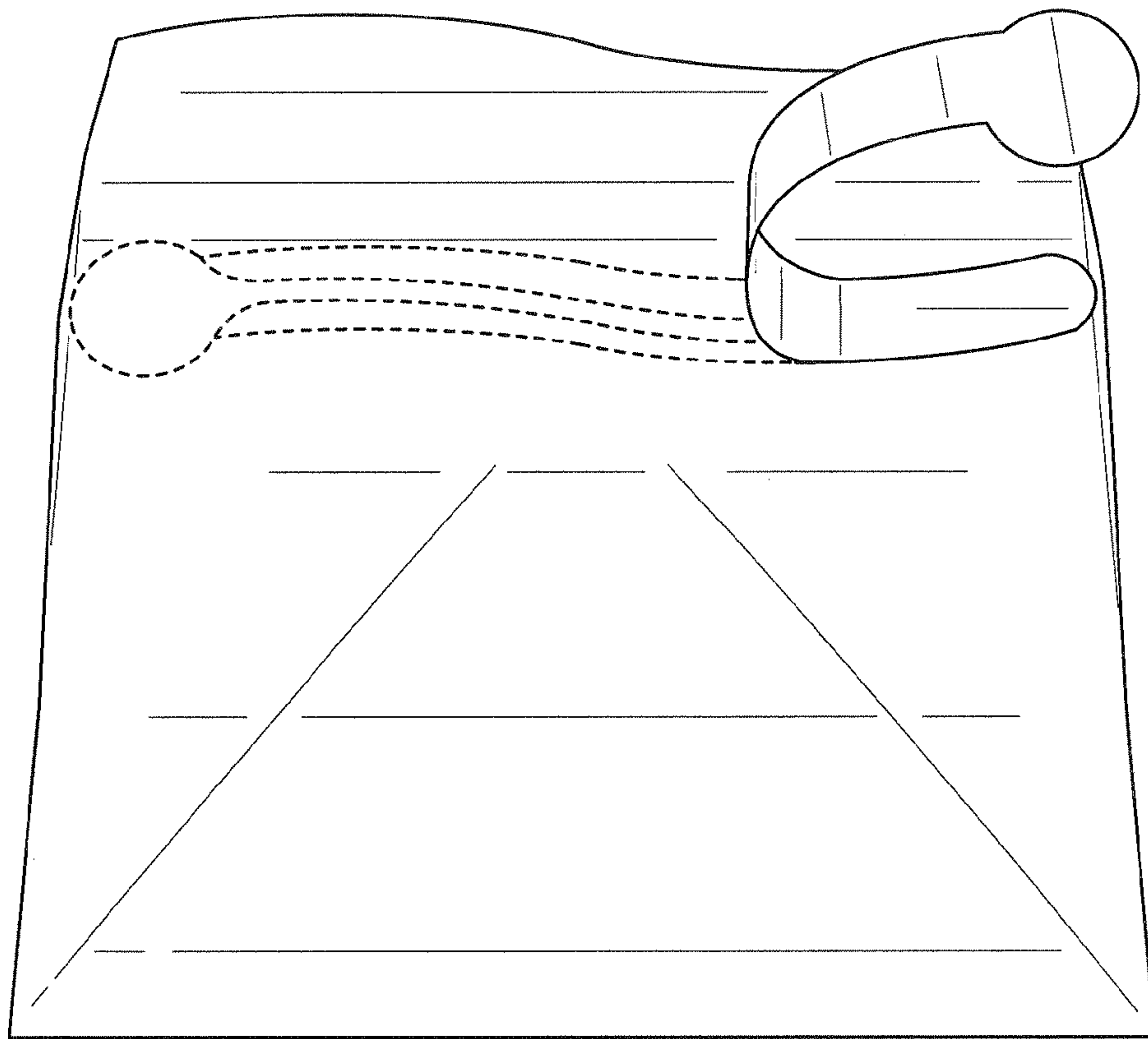


FIG.8

UNITED STATES PATENT AND TRADEMARK OFFICE
CERTIFICATE OF CORRECTION

PATENT NO. : D625,613 S
APPLICATION NO. : 29/356206
DATED : October 19, 2010
INVENTOR(S) : John Cowan-Hughes et al.

Page 1 of 1

It is certified that error appears in the above-identified patent and that said Letters Patent is hereby corrected as shown below:

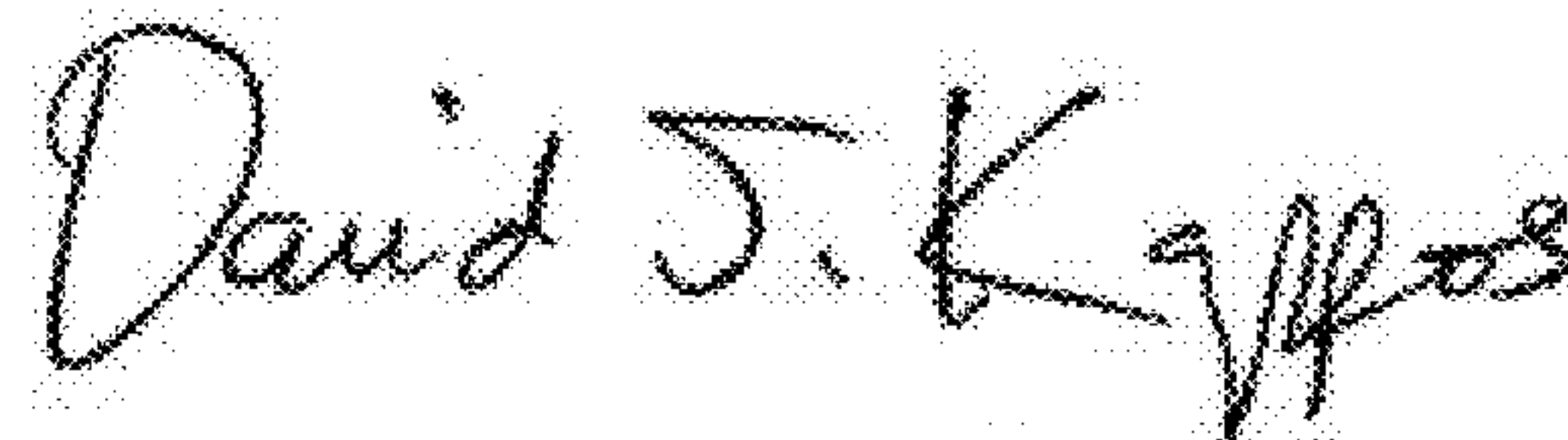
On the Title Page -

Insert the following:

Item -- (30) **Foreign Application Priority Data**

Aug. 21, 2009 (EM) 001160519 --.

Signed and Sealed this
Eighteenth Day of January, 2011



David J. Kappos
Director of the United States Patent and Trademark Office