



US00D625612S

(12) **United States Design Patent**
Papiernik

(10) **Patent No.:** **US D625,612 S**

(45) **Date of Patent:** **** Oct. 19, 2010**

(54) **FLASK FOR PERFUMERY PRODUCTS**

(75) Inventor: **Elie Papiernik**, Paris (FR)

(73) Assignee: **Parfums Givenchy**, Levallois Perret (FR)

(**) Term: **14 Years**

(21) Appl. No.: **29/345,637**

(22) Filed: **Oct. 20, 2009**

(30) **Foreign Application Priority Data**

Apr. 20, 2009 (FR) 09/1930

(51) **LOC (9) Cl.** **09-01**

(52) **U.S. Cl.** **D9/693; D9/694**

(58) **Field of Classification Search** D9/682-694,
D9/516-575, 434-436, 447, 448; 215/379,
215/381-384; 222/662, 665, 669-675

See application file for complete search history.

(56) **References Cited**

U.S. PATENT DOCUMENTS

D71,782 S *	1/1927	Delaize	D9/544
D76,138 S *	8/1928	Javal	D9/566
D93,073 S *	8/1934	Westlake	D9/546
D107,966 S *	1/1938	McIntosh	D9/544
D141,775 S *	7/1945	Buckingham	D9/544
D235,735 S *	7/1975	Dinand	D9/544
D313,749 S *	1/1991	Dinand	D9/544

D333,269 S *	2/1993	Albright et al.	D9/544
D542,144 S *	5/2007	Herrmann	D9/560
D542,670 S *	5/2007	Herrmann	D9/560
D574,257 S *	8/2008	Zeidan	D9/694

FOREIGN PATENT DOCUMENTS

CN	3032594	*	6/1995
CN	3583609	*	11/2006
CN	300803215	*	7/2008
EM	000336516-0003	*	7/2005

* cited by examiner

Primary Examiner—Catherine Tuttle

(74) *Attorney, Agent, or Firm*—Stites & Harbison PLLC;
Douglas E. Jackson

(57) **CLAIM**

The ornamental design for a flask for perfumery products, as shown and described.

DESCRIPTION

FIG. 1 is front view showing the new design.

FIG. 2 is a rear view thereof.

FIG. 3 is a top view thereof.

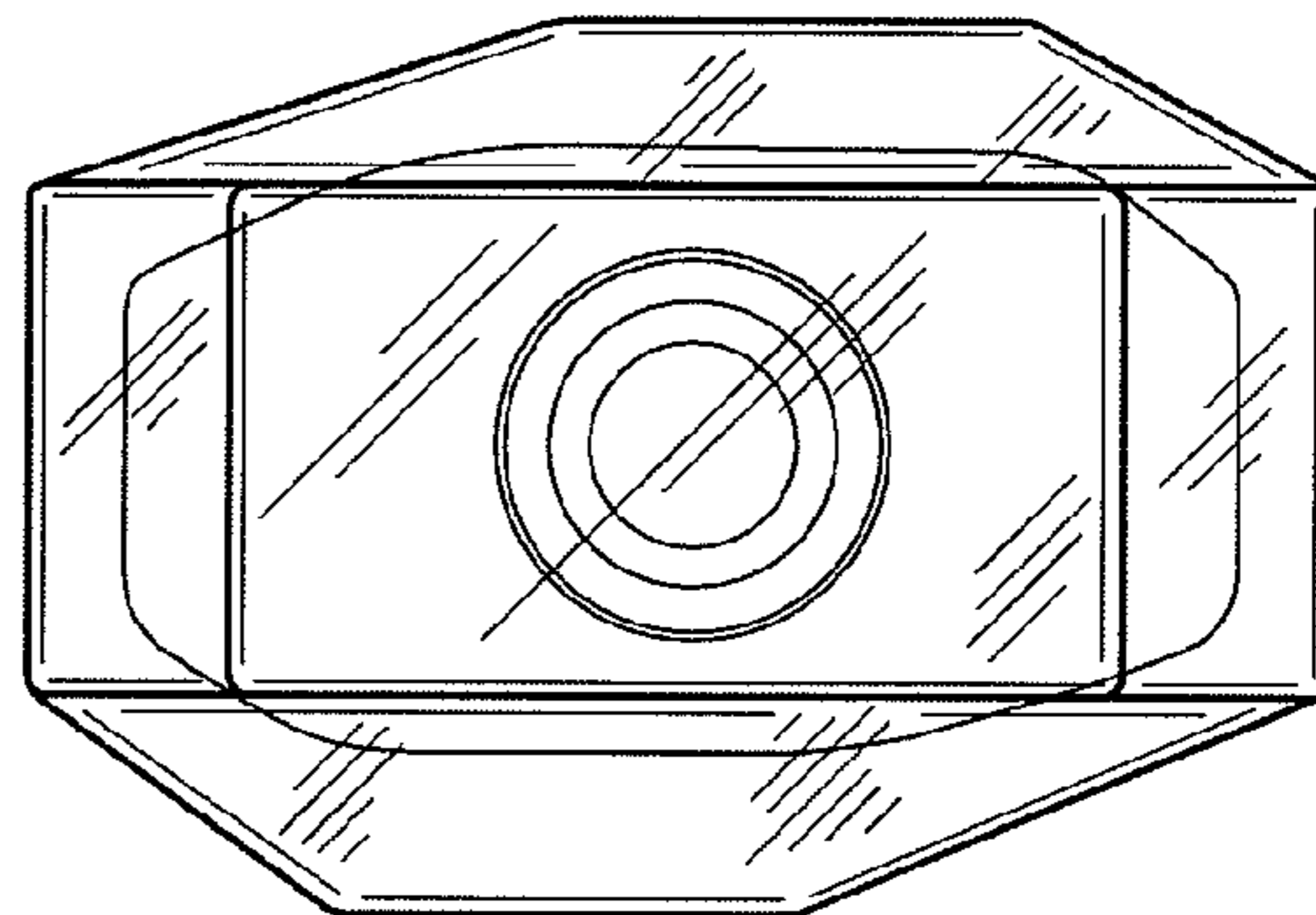
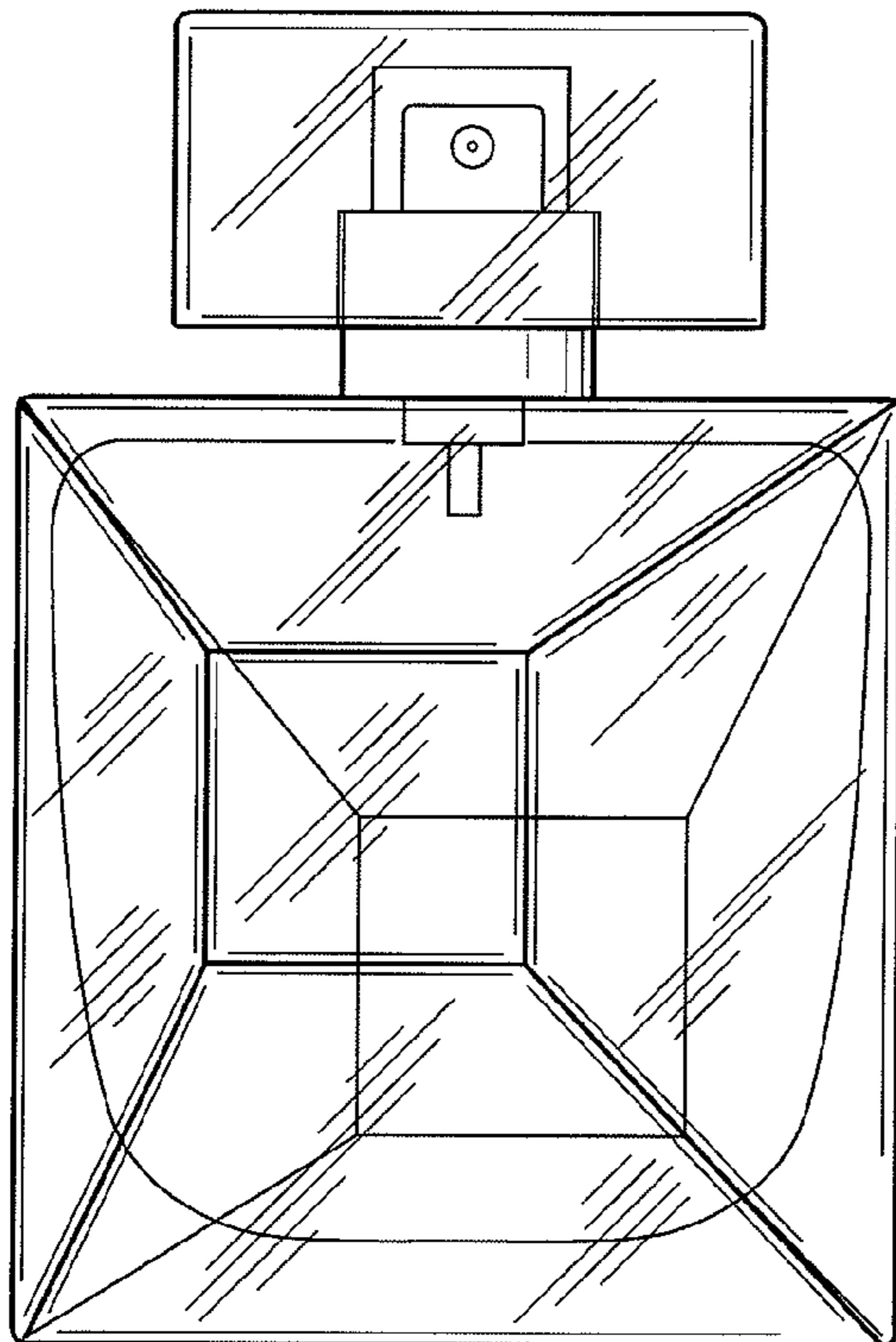
FIG. 4 is a bottom view thereof.

FIG. 5 is a left side view thereof.

FIG. 6 is right side view thereof; and,

FIG. 7 is a perspective front, top and left side view thereof.

1 Claim, 4 Drawing Sheets



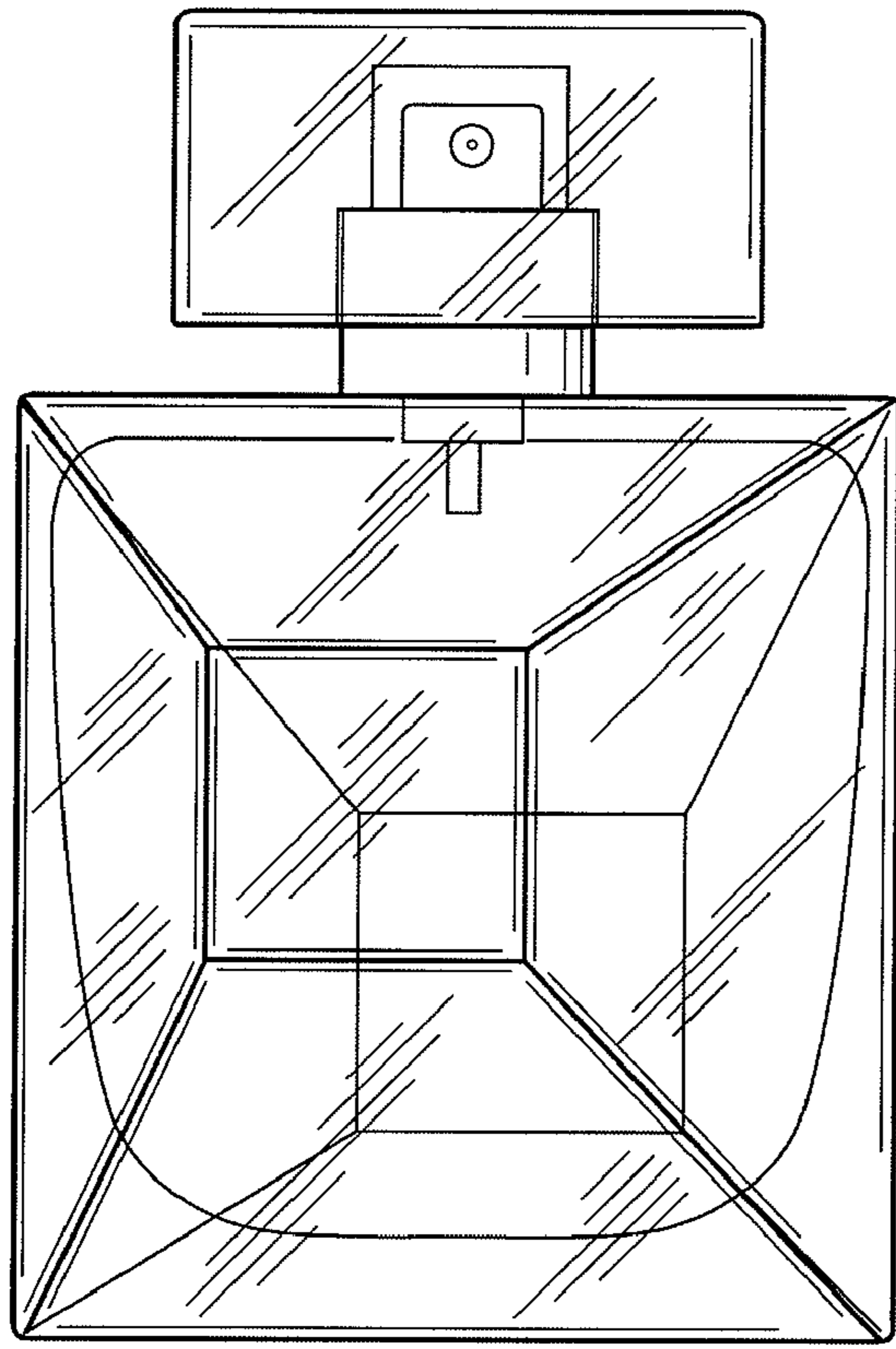


FIG. 1

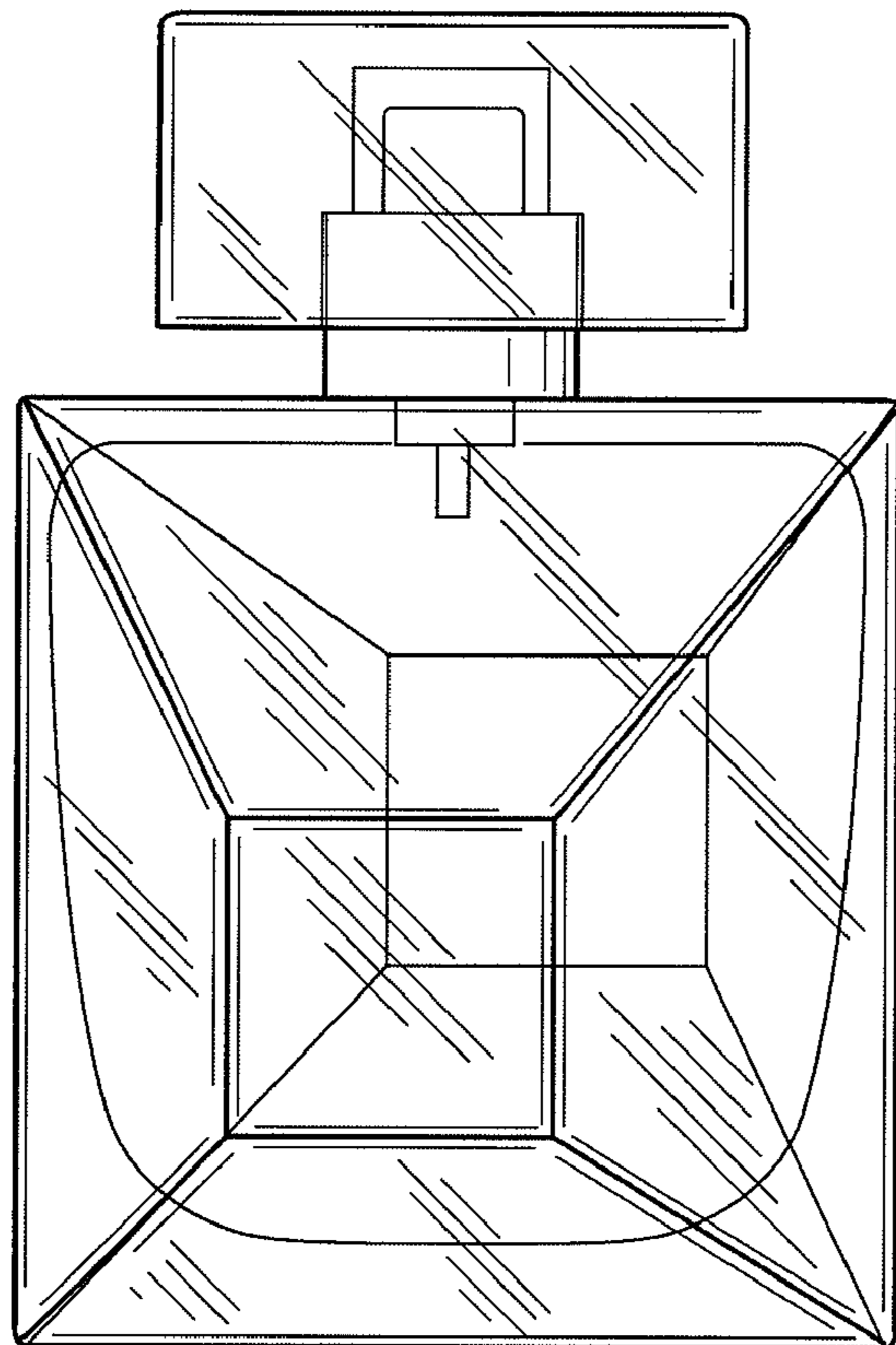


FIG. 2

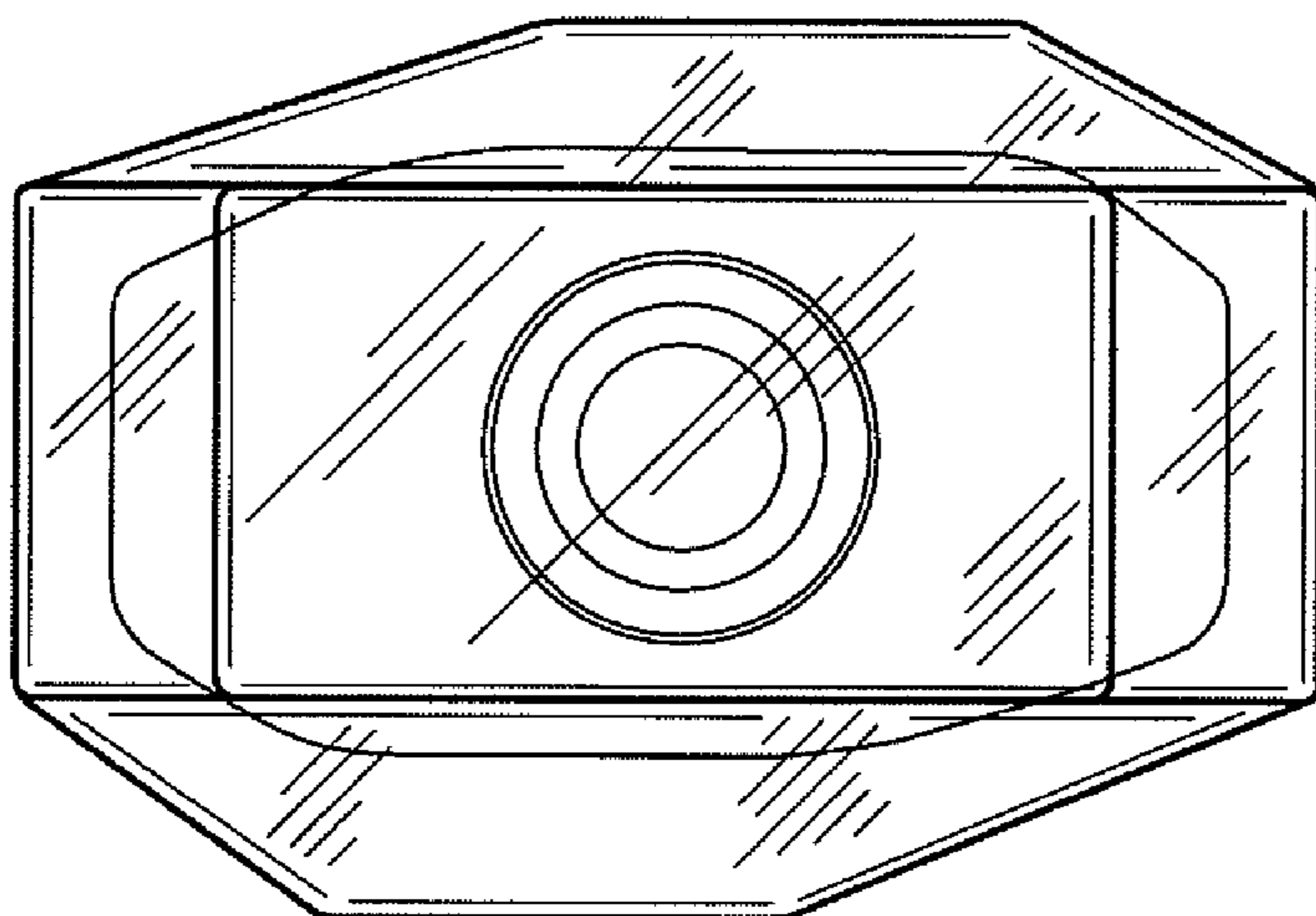


FIG. 3

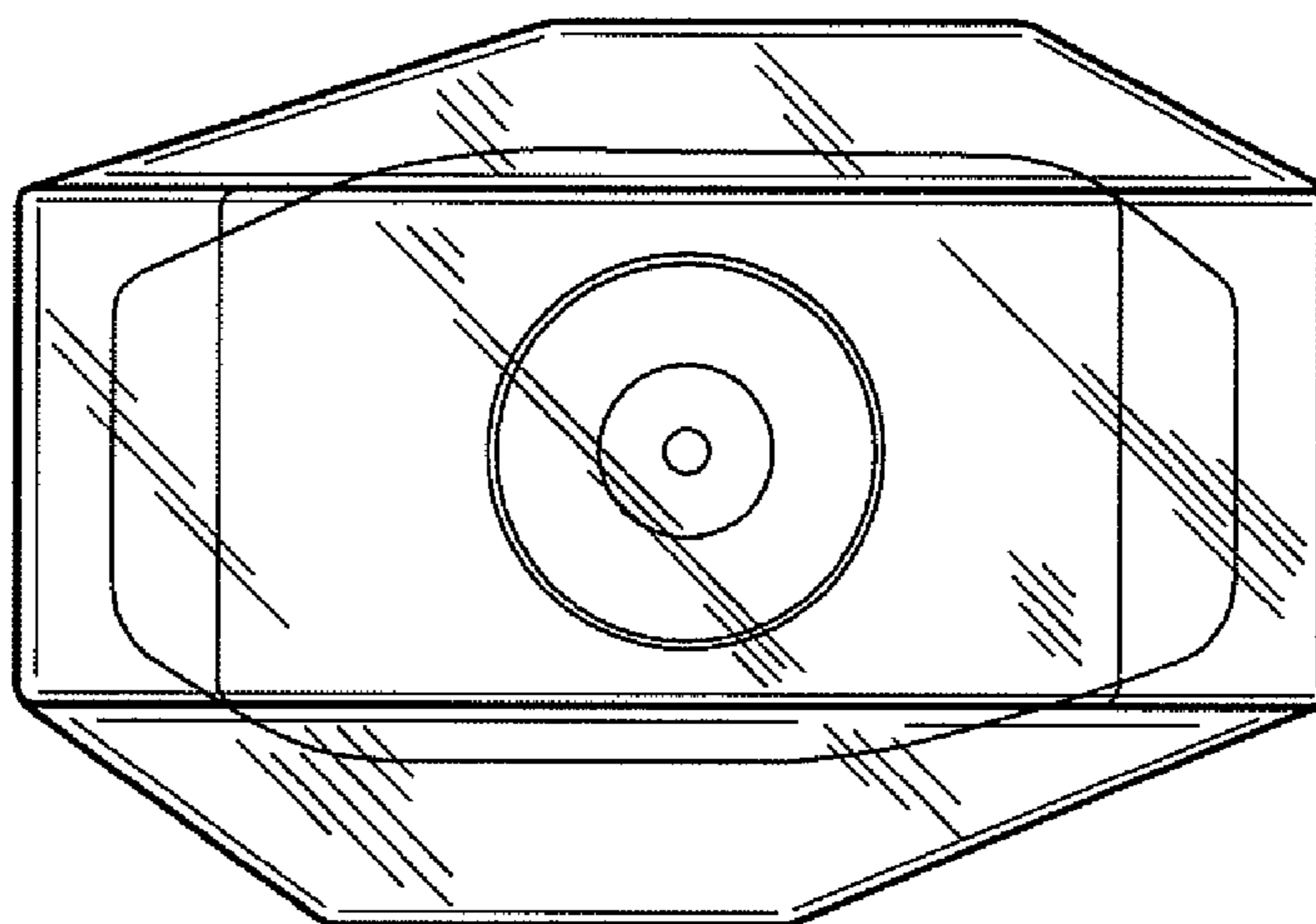


FIG. 4

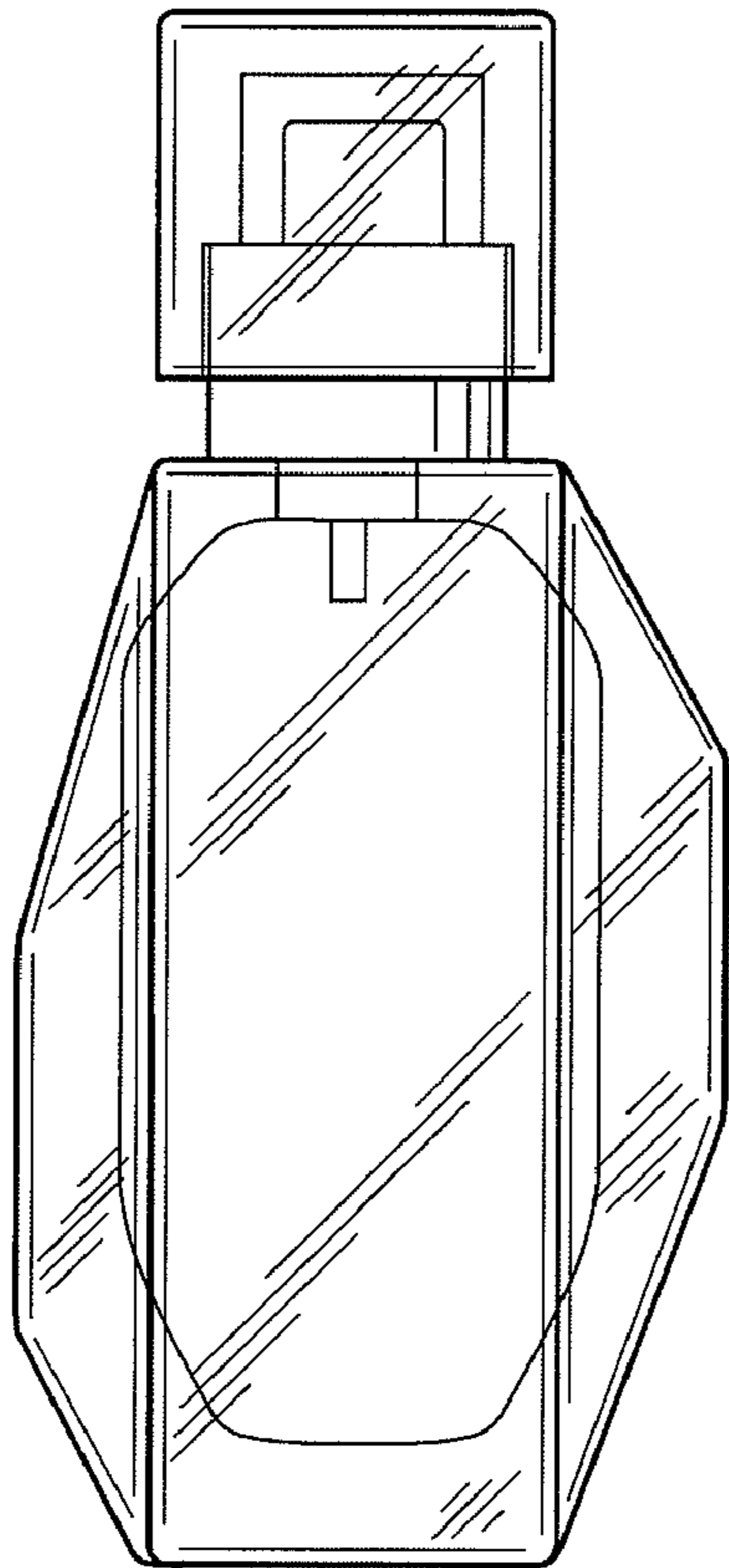


FIG. 5

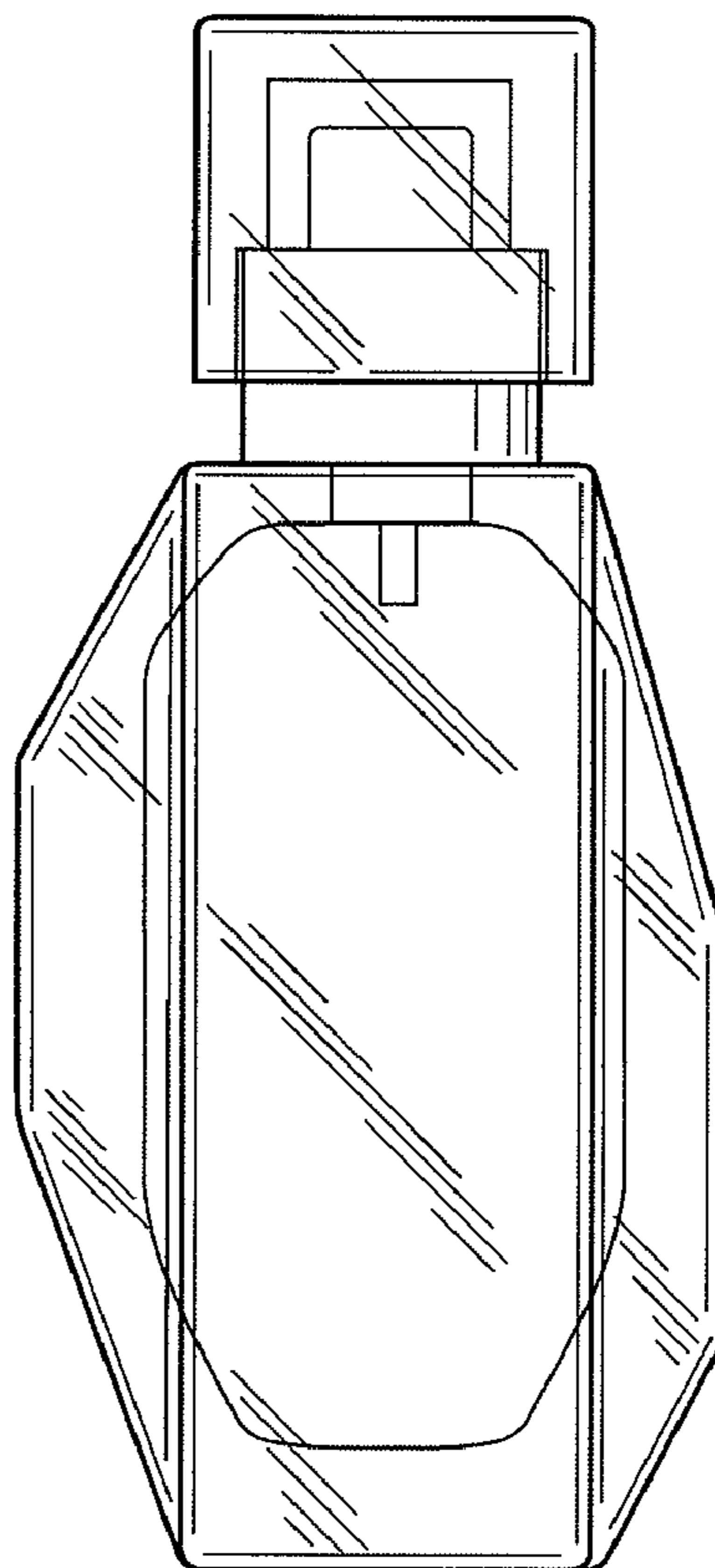


FIG. 6

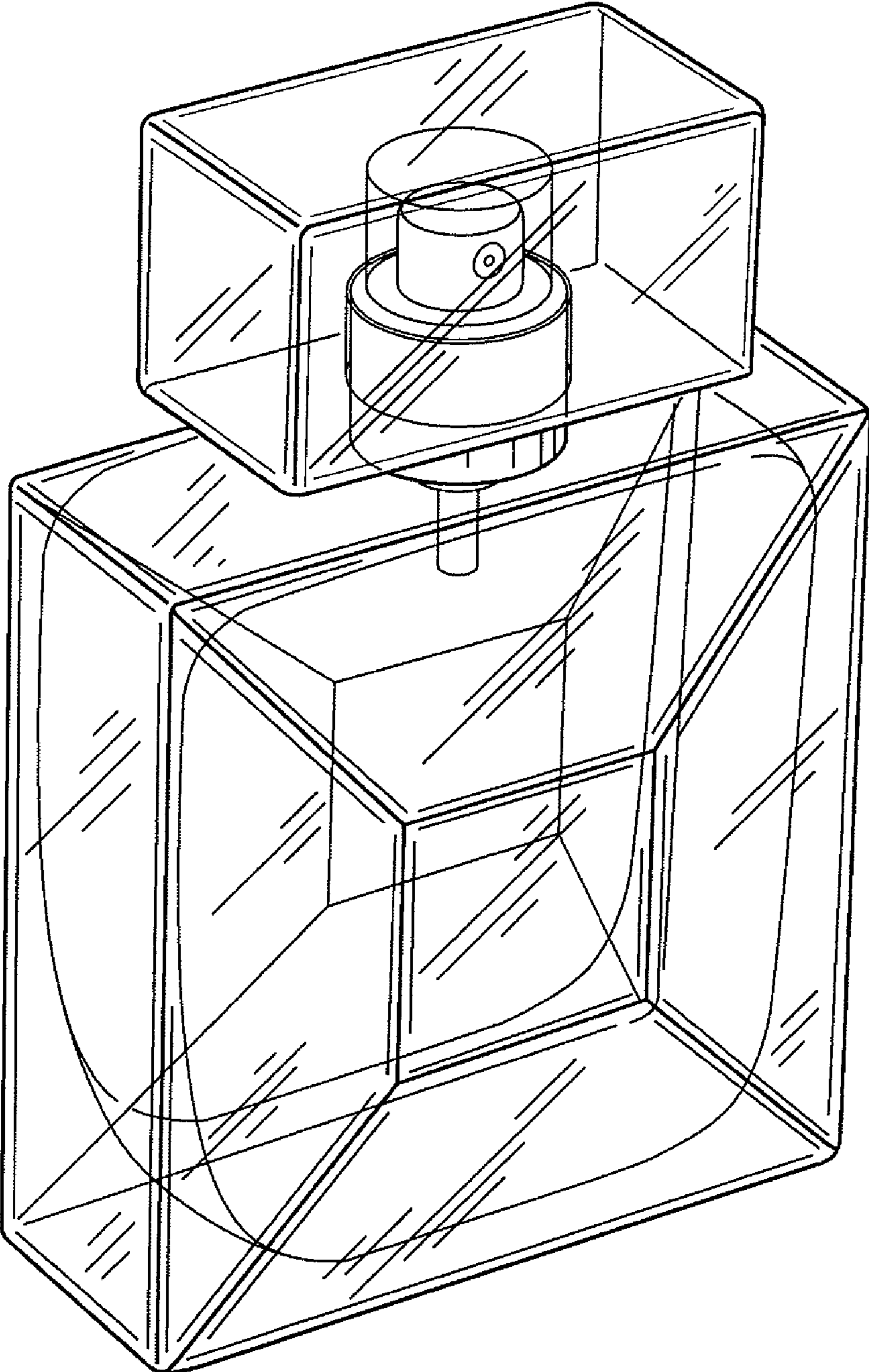


FIG. 7