



US00D625603S

(12) **United States Design Patent**  
**Butler et al.**

(10) **Patent No.:** **US D625,603 S**

(45) **Date of Patent:** **\*\* Oct. 19, 2010**

(54) **AEROSOL VALVE**

(75) Inventors: **Martin Butler**, Hull (GB); **Erin Corstanje**, Hull (GB); **Steve Walsh**, Hull (GB)

(73) Assignee: **Reckitt & Colman (Overseas) Limited**, Slough, Berkshire (GB)

(\*\*) Term: **14 Years**

(21) Appl. No.: **29/352,879**

(22) Filed: **Dec. 29, 2009**

(30) **Foreign Application Priority Data**

Jun. 30, 2009 (EM) ..... 001149470-0002

(51) **LOC (9) Cl.** ..... **09-07**

(52) **U.S. Cl.** ..... **D9/448**

(58) **Field of Classification Search** ..... D9/456,  
D9/455, 448, 447, 445, 438, 434, 763, 772;  
D7/605, 387, 213; D3/211, 207; D23/226;  
40/307; 239/333, 331; 222/635, 631, 566,  
222/321.9, 321.8, 321.7, 320, 251; 220/915,  
220/269, 268, 258.5

See application file for complete search history.

(56) **References Cited**

**U.S. PATENT DOCUMENTS**

1,756,279 A \* 4/1930 Campbell, Jr. .... 215/315  
2,150,485 A \* 3/1939 Bernhardt ..... 222/321.9  
D297,305 S \* 8/1988 Rudick et al. .... D9/688

D329,981 S \* 10/1992 Card ..... D9/447  
D366,834 S \* 2/1996 Reid ..... D9/447  
6,186,364 B1 \* 2/2001 Dobbs ..... 222/153.13  
D567,653 S \* 4/2008 Binderbauer et al. .... D9/448  
2008/0283625 A1 \* 11/2008 Bedford et al. .... 239/11

**FOREIGN PATENT DOCUMENTS**

GB 2435000 A \* 8/2007  
WO WO 2006010893 A1 \* 2/2006

\* cited by examiner

*Primary Examiner*—Susan Bennett Hattan

(74) *Attorney, Agent, or Firm*—Norris McLaughlin & Marcus, PA

(57) **CLAIM**

The ornamental design for an aerosol valve, as shown and described.

**DESCRIPTION**

FIG. 1 is a rear perspective view of our aerosol valve;

FIG. 2 is a rear elevational view thereof;

FIG. 3 is a front elevational view thereof;

FIG. 4 is a left side elevational view thereof;

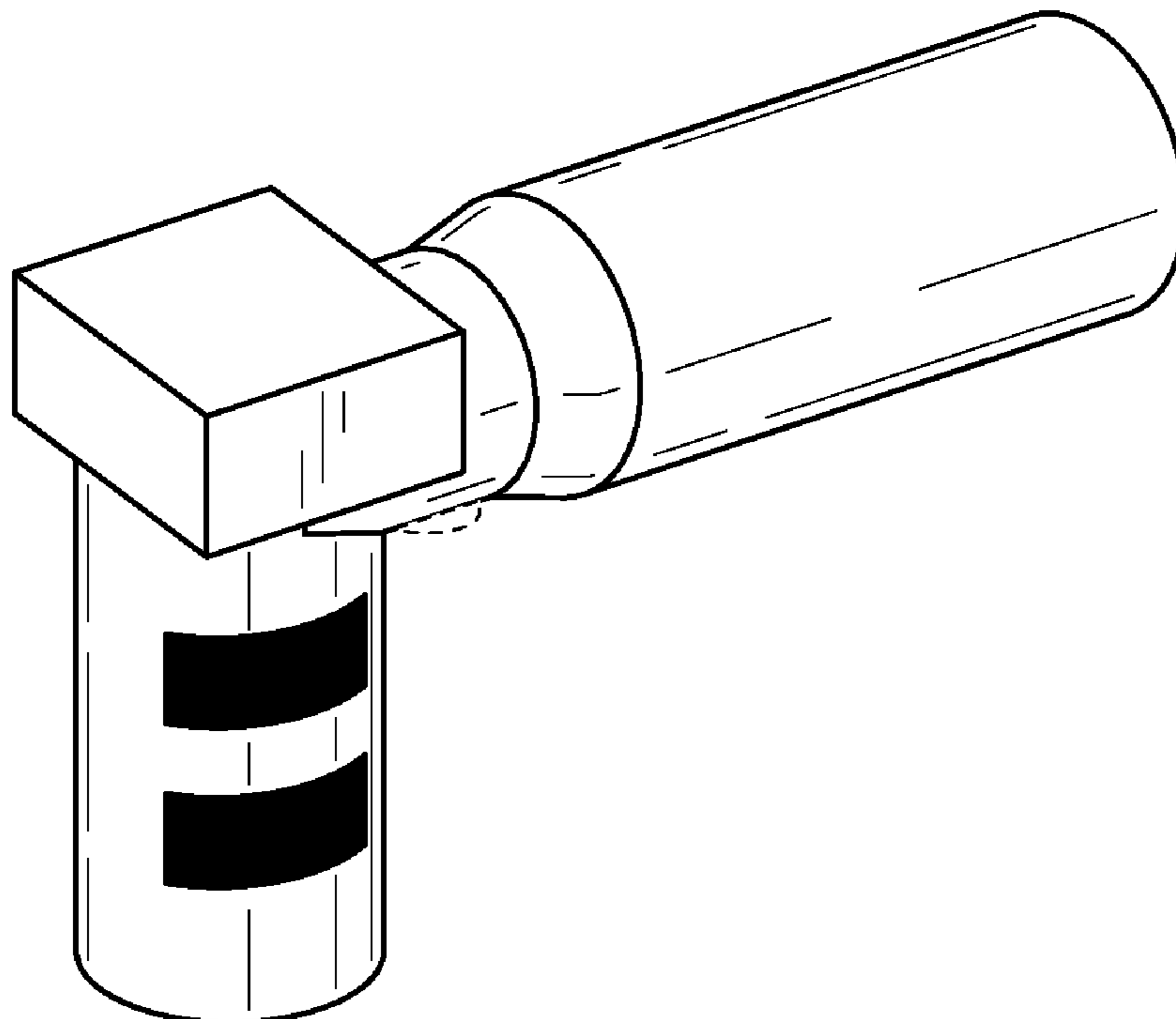
FIG. 5 is a right side elevational view thereof;

FIG. 6 is a plan view of the top thereof; and,

FIG. 7 is a plan view of the bottom thereof.

The broken lines shown in the drawing views are included for the purpose of showing environmental structure that forms no part of the claimed design.

**1 Claim, 2 Drawing Sheets**



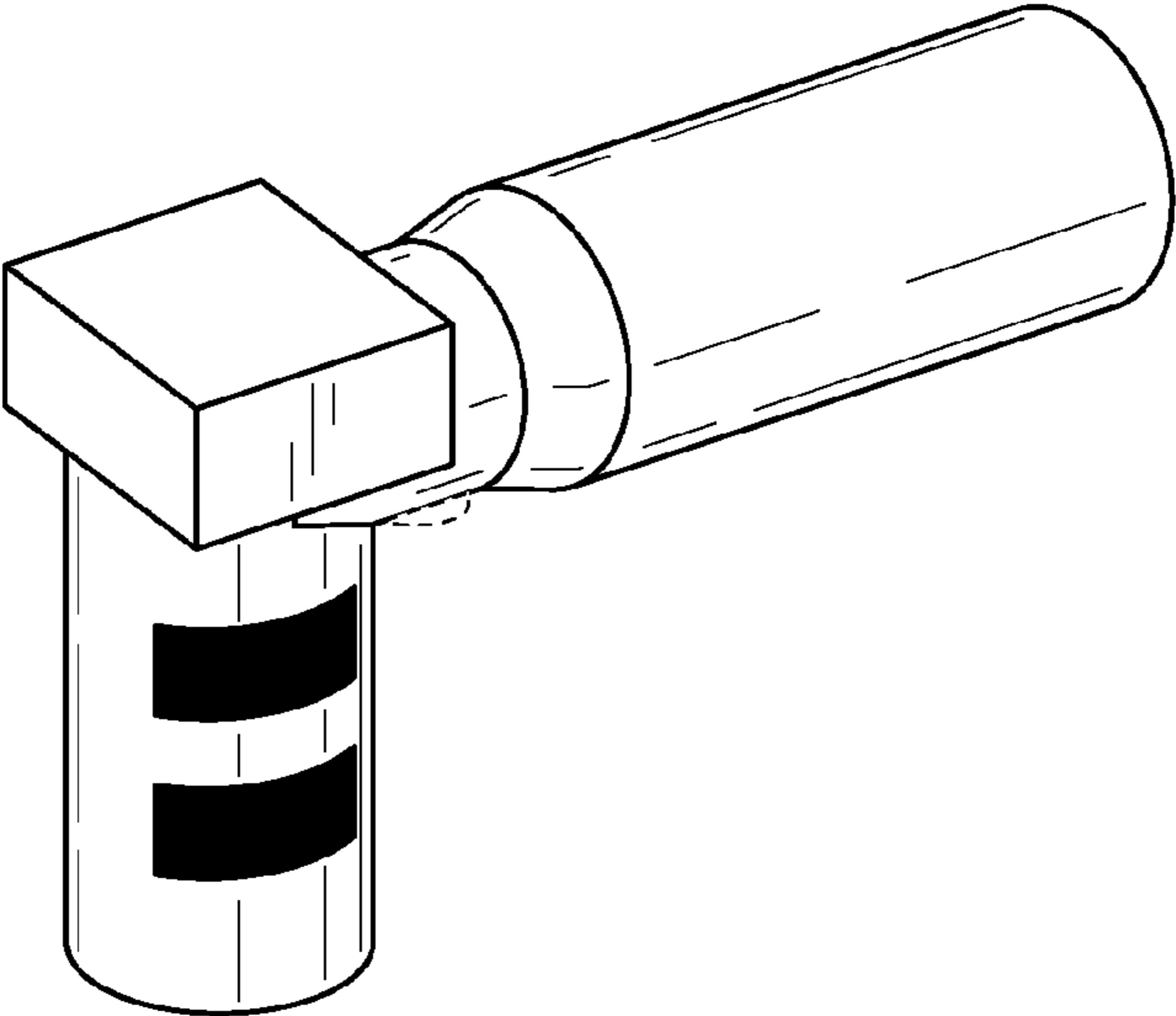


Fig.1

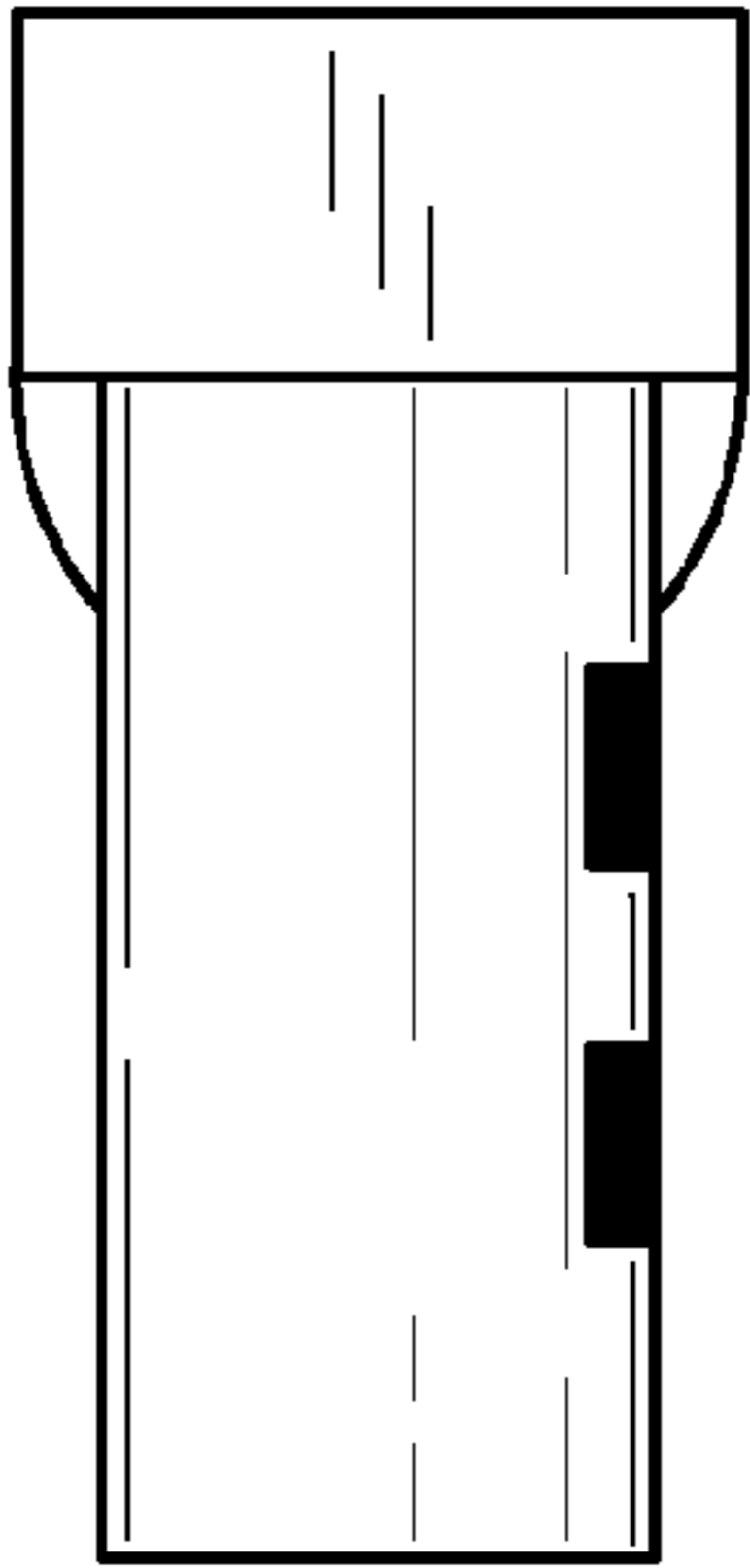


Fig.2

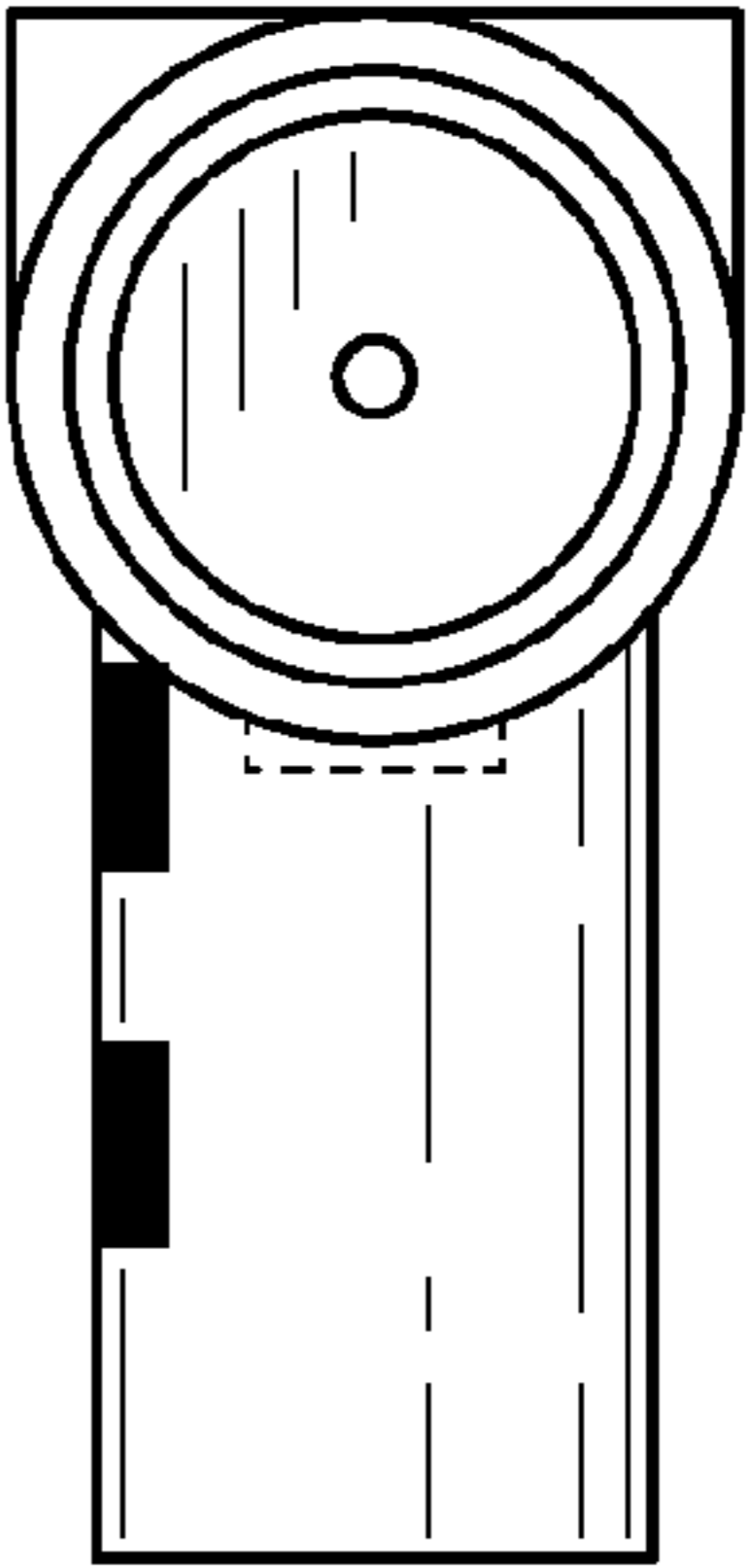


Fig.3

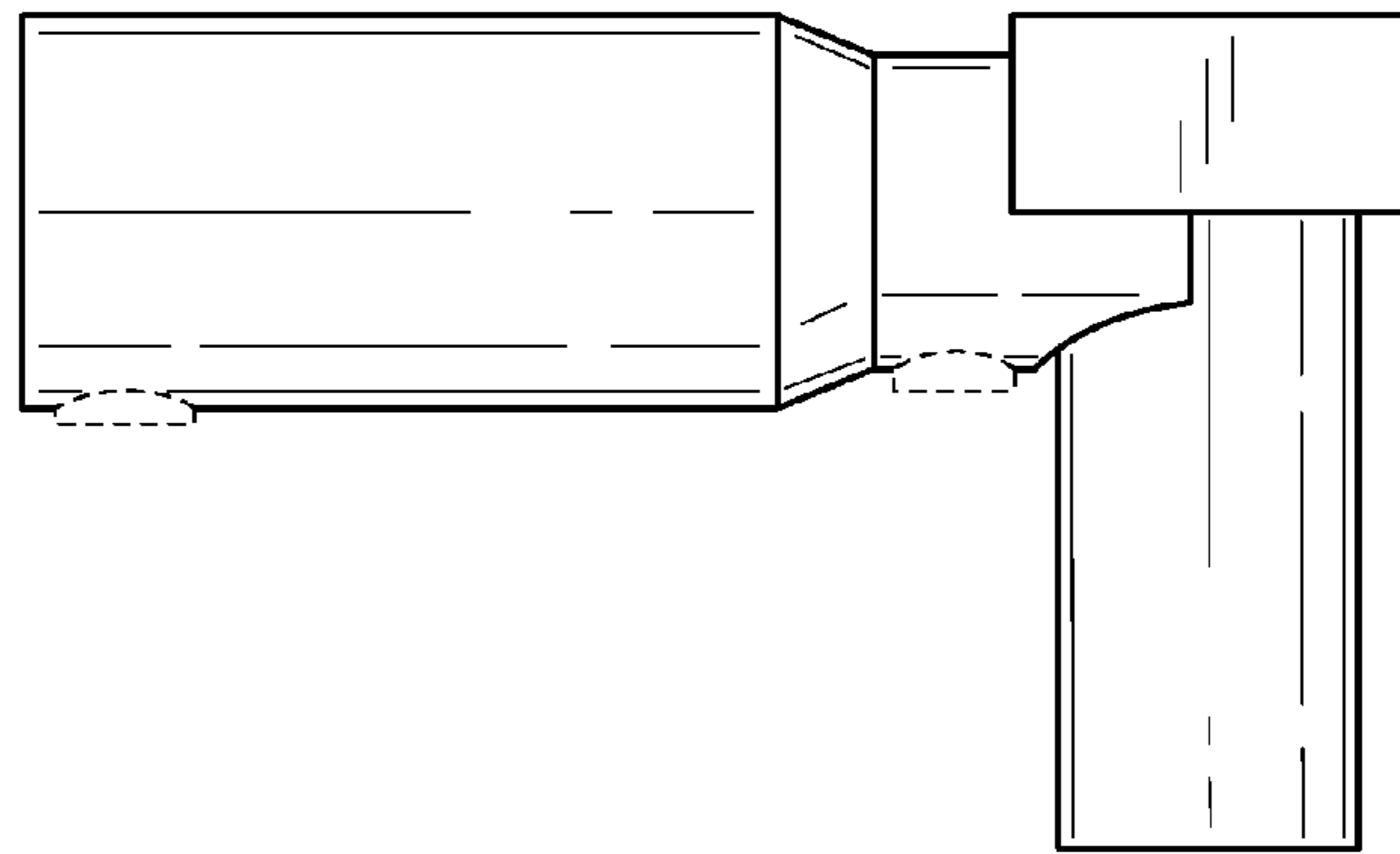


Fig.4

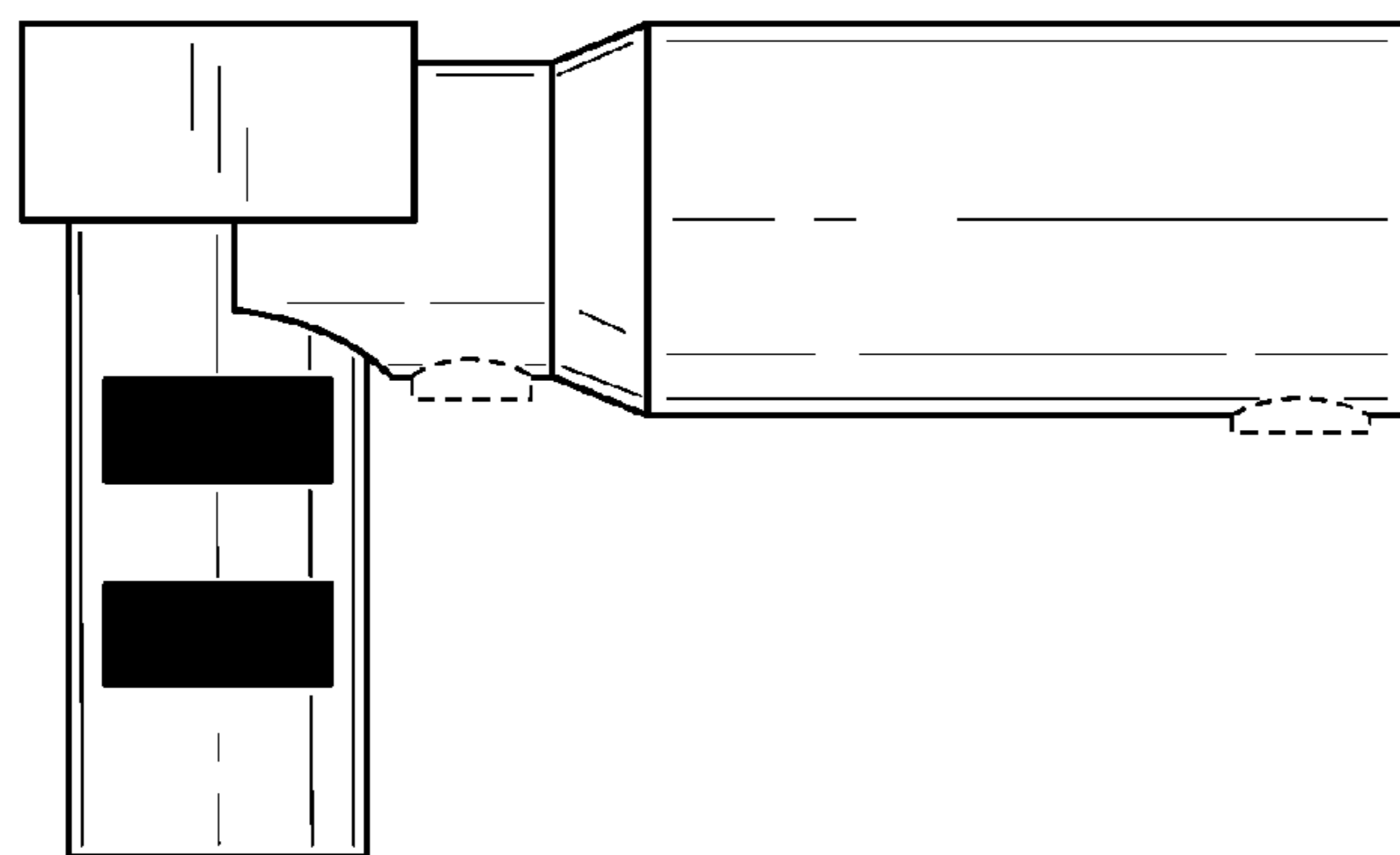


Fig.5

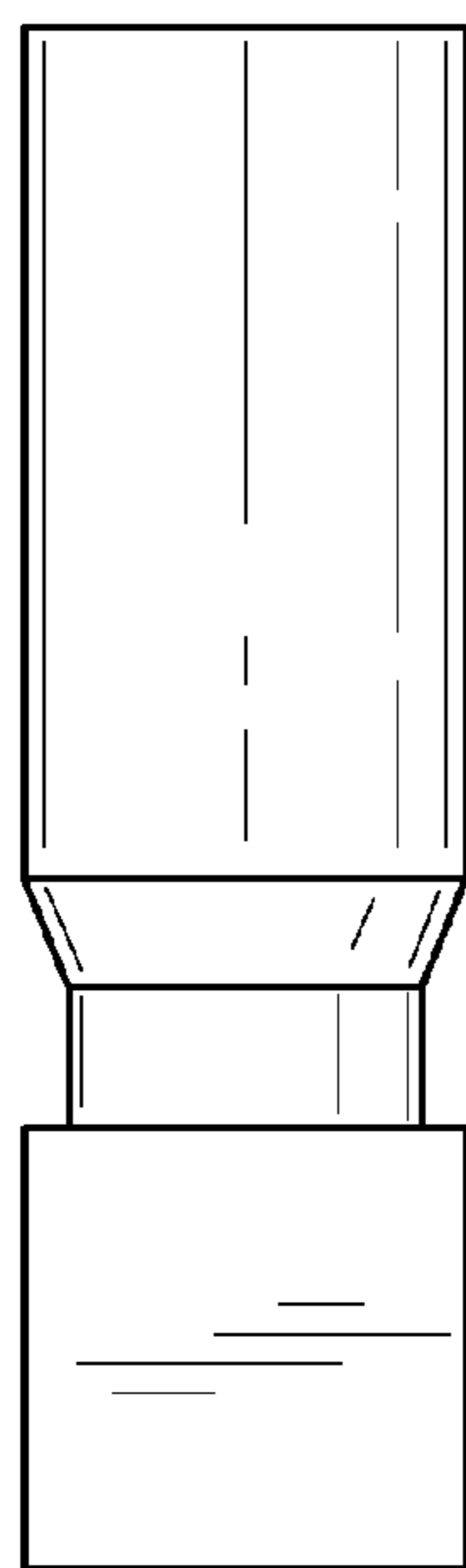


Fig.6

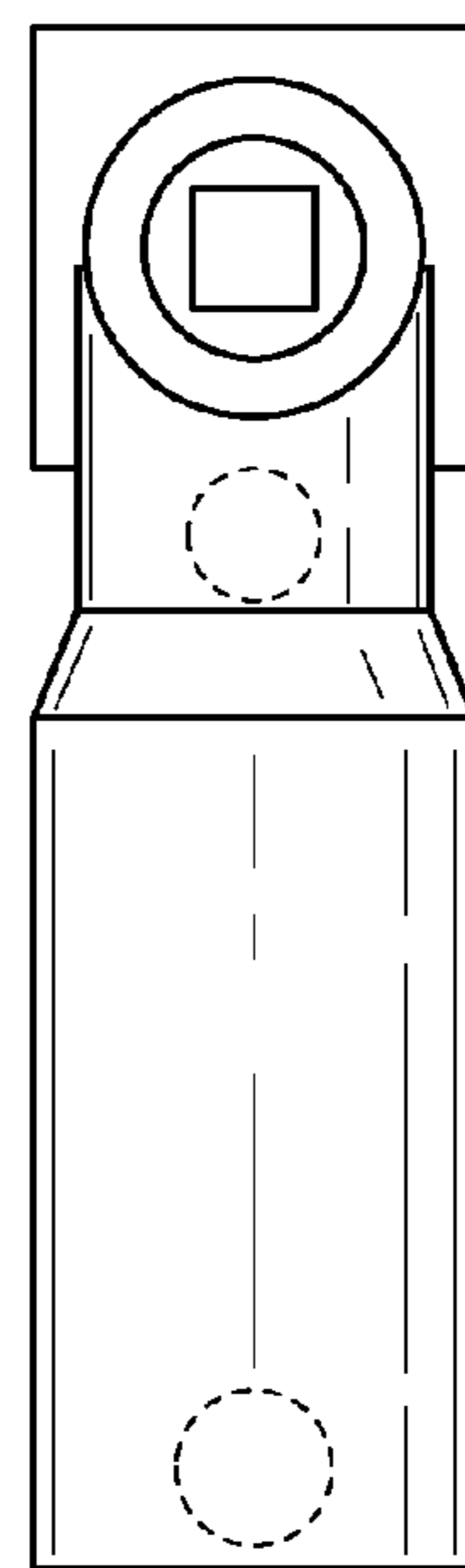


Fig.7