



US00D625601S

(12) **United States Design Patent**
Getsy

(10) **Patent No.:** **US D625,601 S**
(45) **Date of Patent:** **** Oct. 19, 2010**

(54) **BAG HANDLE**

(75) Inventor: **Stephen B. Getsy**, Bridgeville, PA (US)

(73) Assignee: **Silgan Plastics Corporation**,
Chesterfield, MO (US)

(**) Term: **14 Years**

(21) Appl. No.: **29/361,674**

(22) Filed: **May 13, 2010**

Related U.S. Application Data

(62) Division of application No. 29/352,116, filed on Dec. 16, 2009, now Pat. No. Des. 618,097, which is a division of application No. 29/340,079, filed on Jul. 13, 2009, now Pat. No. Des. 608,637.

(51) **LOC (9) Cl.** **09-07**

(52) **U.S. Cl.** **D9/434**

(58) **Field of Classification Search** D9/705,
D9/635, 520, 517, 516, 456, 455, 454, 452,
D9/444, 445, 438, 436, 435, 434, 433, 432,
D9/416, 499; D26/51; 428/138; 362/101;
229/404, 128, 110, 103.3; 220/630; 206/776,
206/755, 754, 583, 522, 453, 390, 232; D7/509,
D7/511, 396.2, 624.2, 602

See application file for complete search history.

(56) **References Cited**

U.S. PATENT DOCUMENTS

3,310,224 A * 3/1967 Laguerre 383/15
3,344,977 A * 10/1967 Kamins et al. 383/28
3,363,827 A * 1/1968 Renner et al. 383/15

3,391,853 A * 7/1968 King 383/15
3,559,873 A * 2/1971 Hart 383/6
D222,239 S 10/1971 Chan
3,757,385 A * 9/1973 Schwarzkopf 16/407
D242,764 S 12/1976 Kamins

(Continued)

OTHER PUBLICATIONS

Notice of Allowance for U.S. Appl. No. 29/340,079, mailed Oct. 13, 2009, 17 pages.

(Continued)

Primary Examiner—Susan Bennett Hattan

(74) *Attorney, Agent, or Firm*—Reinhart Boerner Van Deuren
s.c.

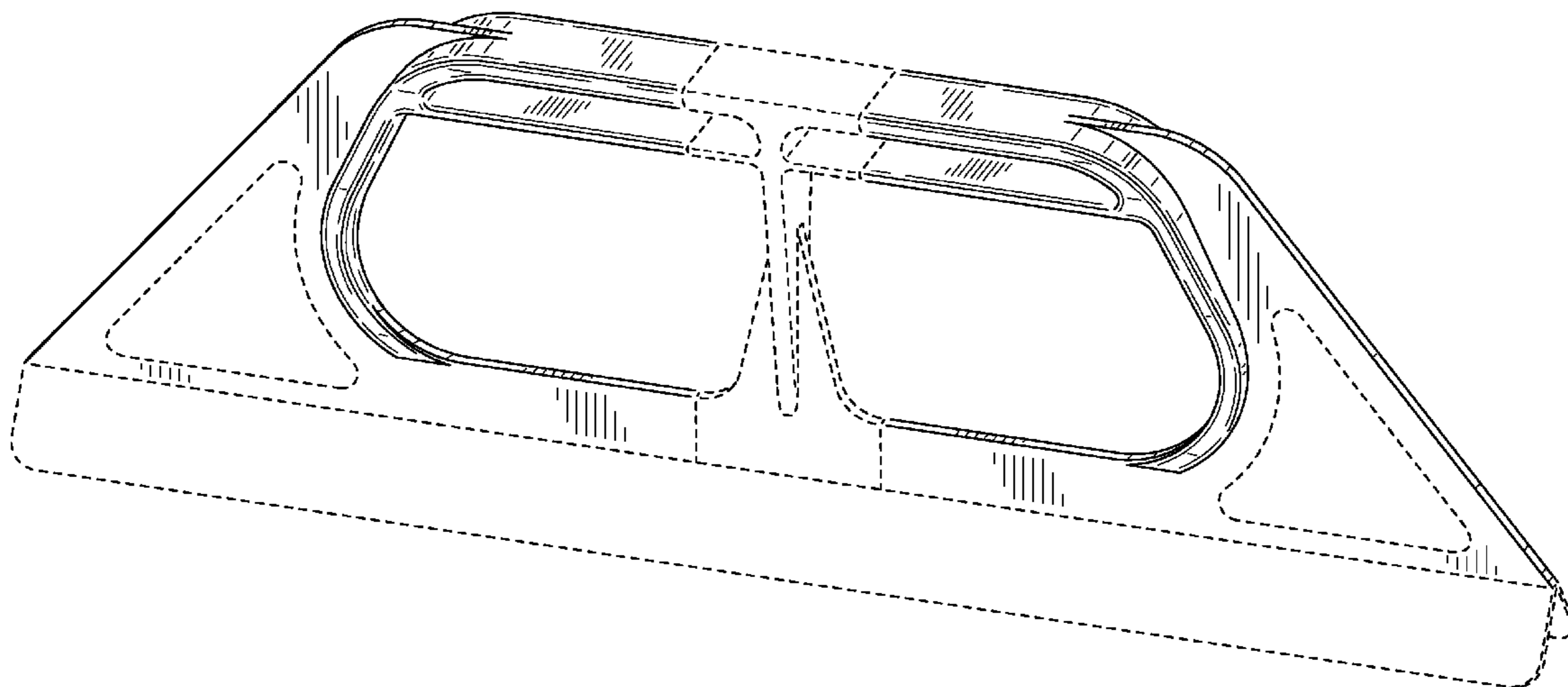
(57) **CLAIM**

I claim the ornamental design for a bag handle, as shown and described.

DESCRIPTION

FIG. 1 is a top perspective view of the claimed design;
FIG. 2 is a bottom perspective view of the design shown in FIG. 1;
FIG. 3 is a front view of the design shown in FIG. 1;
FIG. 4 is a right side view of the design shown in FIG. 1, the left side view being the same as the right side view;
FIG. 5 is a top view of the design shown in FIG. 1; and,
FIG. 6 is a bottom view of the design shown in FIG. 1.
The broken lines in the figures depict environmental subject matter only and form no part of the claimed design.

1 Claim, 5 Drawing Sheets



US D625,601 S

Page 2

U.S. PATENT DOCUMENTS

4,493,127 A * 1/1985 Blanke et al. 16/407
D290,935 S 7/1987 Williams
D409,913 S 5/1999 Le Roux
D412,116 S 7/1999 DuCorday
D430,030 S 8/2000 DuCorday
D430,490 S 9/2000 DuCorday
D447,413 S 9/2001 DuCorday
D608,637 S 1/2010 Getsy
D617,194 S * 6/2010 Jones D9/434

D618,097 S 6/2010 Getsy

OTHER PUBLICATIONS

Office Action for U.S. Appl. No. 29/340,079, mailed Aug. 26, 2009,
5 pages.
Notice of Allowance for U.S. Appl. No. 29/352,116, mailed Feb. 16,
2010, 15 pages.
Picture of Bag Handles and Bags believed to be sold by at least 2004,
7 pages.
* cited by examiner

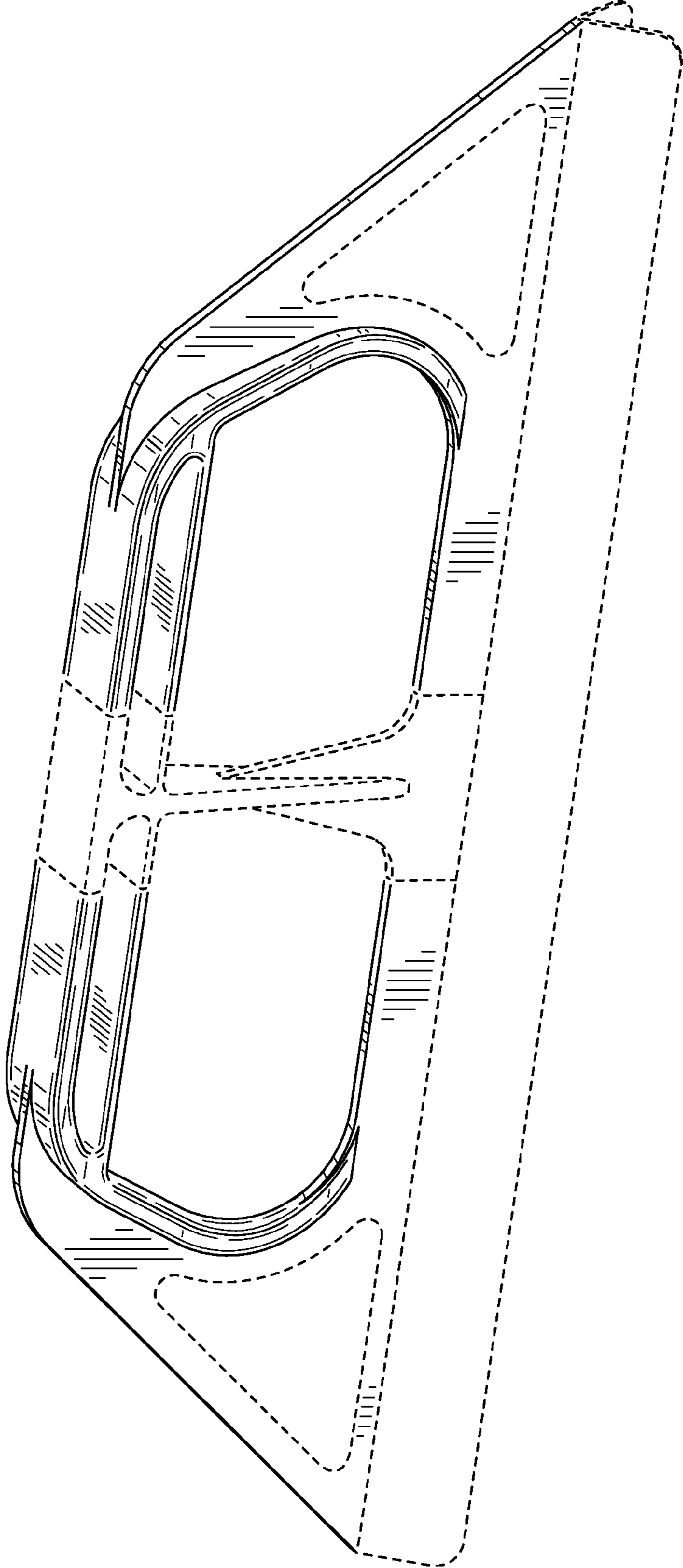


FIG. 1

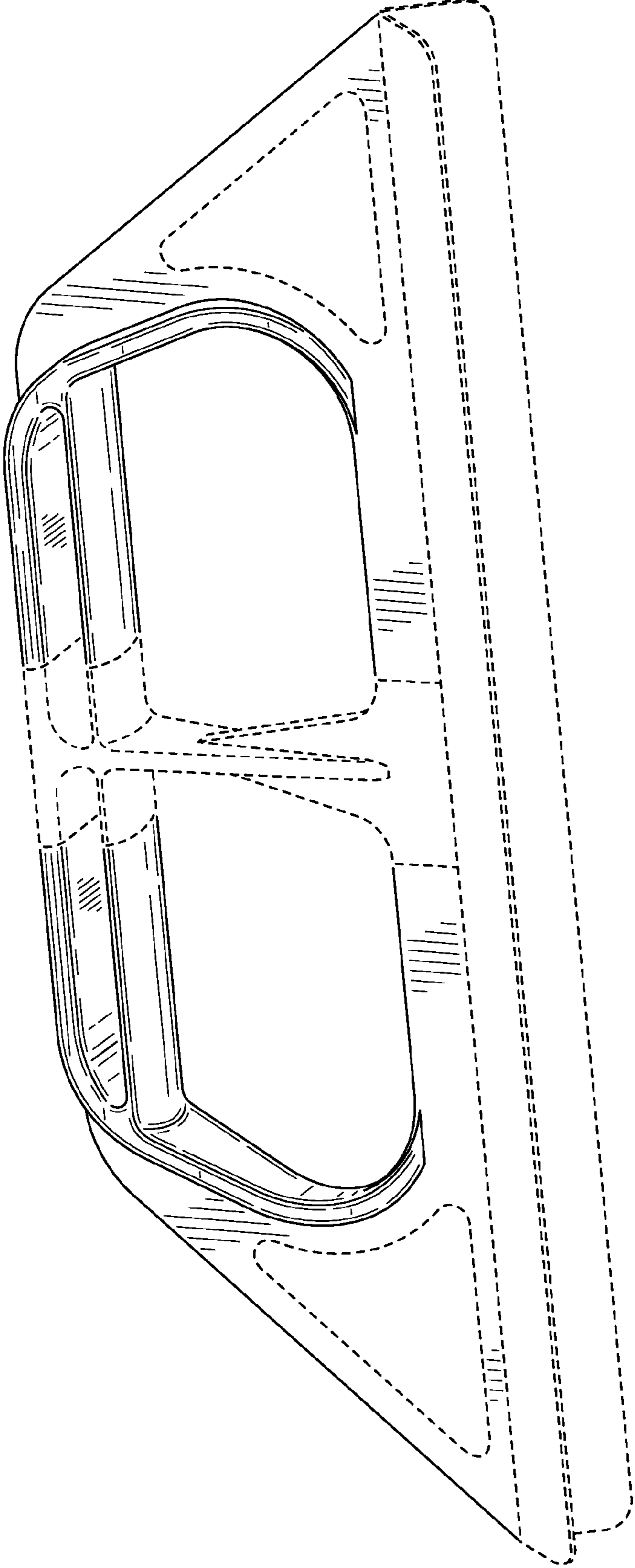


FIG. 2

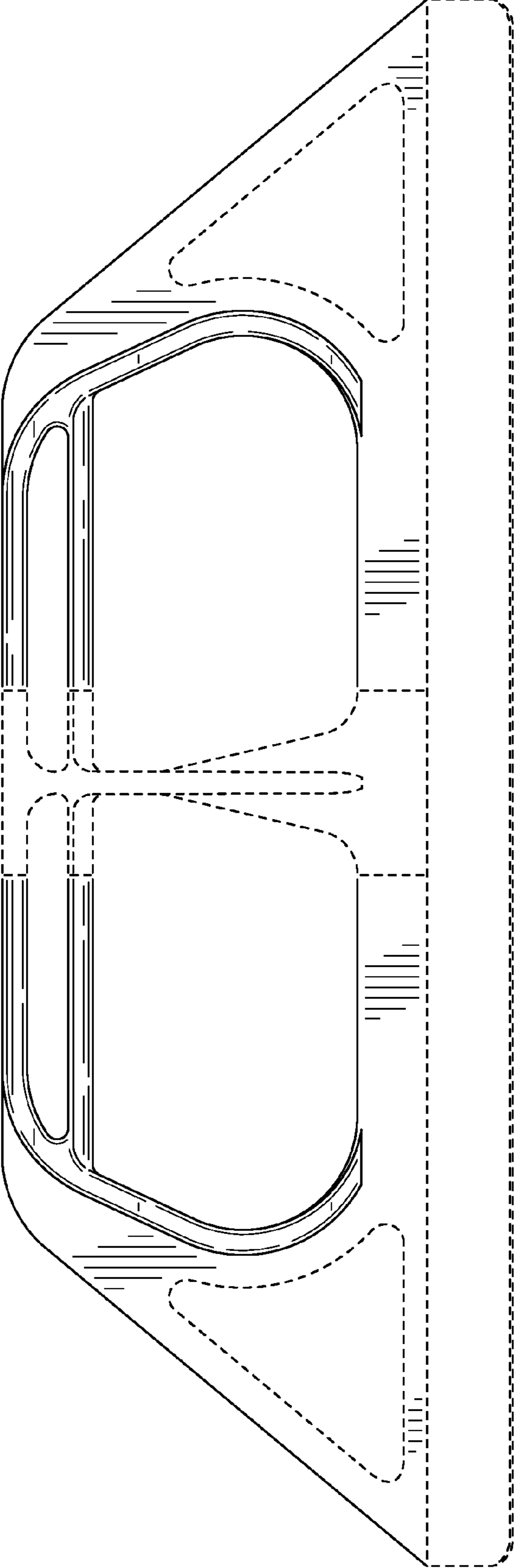


FIG. 3

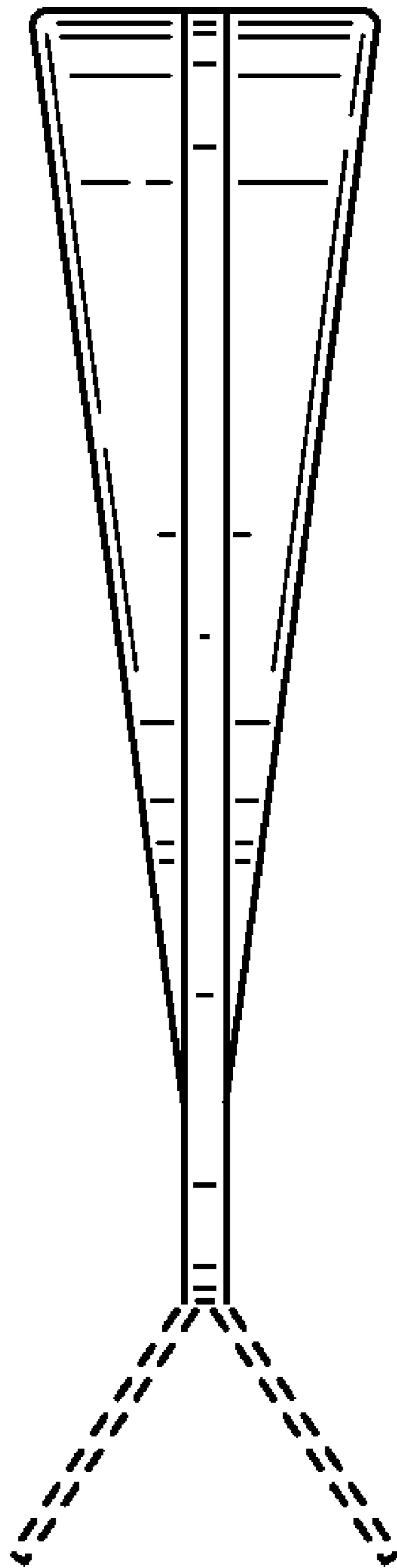


FIG. 4

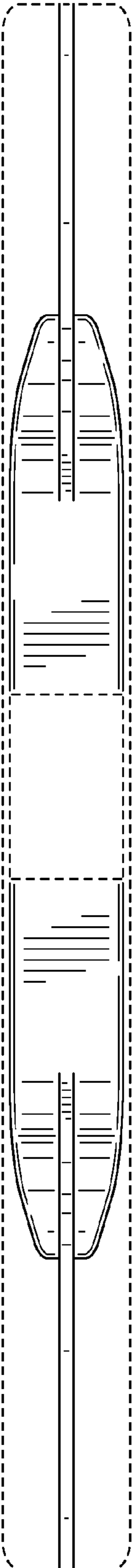


FIG. 5

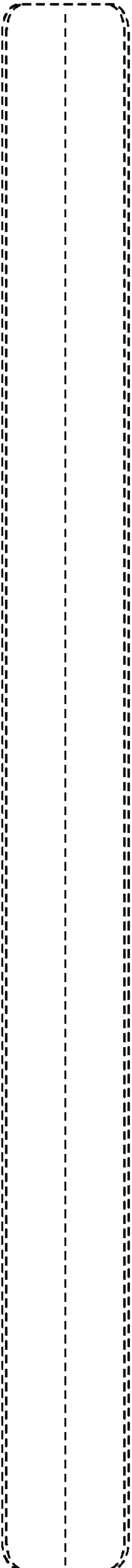


FIG. 6