



US00D625600S

(12) **United States Design Patent**
Hill

(10) **Patent No.:** **US D625,600 S**

(45) **Date of Patent:** **** Oct. 19, 2010**

(54) **BEVERAGE CONTAINER**

(75) Inventor: **Webb LeRon Hill**, Toledo, OH (US)

(73) Assignee: **OTB Packaging, Inc.**, Toledo, OH (US)

(**) Term: **14 Years**

(21) Appl. No.: **29/354,462**

(22) Filed: **Jan. 25, 2010**

(51) **LOC (9) Cl.** **09-03**

(52) **U.S. Cl.** **D9/431**

(58) **Field of Classification Search** D9/430-433,
D9/414, 418, 420-424, 499; D3/272; 206/267,
206/269, 270, 273, 299, 476, 494, 527, 784,
206/737, 740, 822; 229/100, 101, 101.3,
229/106, 108-112, 114-117, 177.05-117.09,
229/117.24-117.26, 162, 164, 87.01, 87.06,
229/800, 221, 222, 227, 902, 939, 941, 942;
D7/392, 397; 220/229, 260, 62, 890

See application file for complete search history.

(56) **References Cited**

U.S. PATENT DOCUMENTS

1,342,770	A	6/1920	Selz	
1,707,528	A *	4/1929	La Bombard et al.	.. 229/117.26
D92,592	S *	6/1934	Devendorf D9/431
3,003,678	A	10/1961	Chase	
3,434,652	A	3/1969	Shore	
D231,824	S *	6/1974	Pedersen D9/431
3,931,916	A	1/1976	Blue et al.	
4,941,427	A	7/1990	Houssian	
D373,531	S *	9/1996	Cooksey D9/430
5,715,992	A	2/1998	Andrews, Sr. et al.	
5,897,050	A	4/1999	Barns	
5,909,841	A	6/1999	Andrews, Sr. et al.	
6,053,401	A	4/2000	Andrews, Sr.	
D425,787	S *	5/2000	Kellar D9/431
6,196,452	B1	3/2001	Andrews, Sr. et al.	
6,209,781	B1	4/2001	Sylvester et al.	
6,253,993	B1	7/2001	Lloyd et al.	

D447,686	S *	9/2001	Cattell et al. D9/417
6,290,124	B2	9/2001	Andrews, Sr. et al.	
D456,710	S *	5/2002	Persson D9/431
D471,888	S *	3/2003	Solland D14/204
D495,598	S *	9/2004	Smith D9/430
6,877,654	B2	4/2005	Bartlett et al.	
7,007,825	B2	3/2006	Crosland et al.	
7,077,309	B2	7/2006	Andrews	
D554,991	S *	11/2007	Donnelly D9/432
7,389,909	B2	6/2008	Crosland et al.	
7,571,835	B2	8/2009	Hill et al.	
D617,635	S *	6/2010	Gould D9/431
D618,092	S *	6/2010	Whitaker D9/431
2006/0011715	A1	1/2006	Bartlett et al.	
2009/0101699	A1	4/2009	Goudreau et al.	

* cited by examiner

Primary Examiner—Daniel D Bui

Assistant Examiner—Thomas J Johannes

(74) *Attorney, Agent, or Firm*—Fraser Clemens Martin & Miller LLC; J. Douglas Miller

(57) **CLAIM**

The ornamental design for a beverage container, as shown and described.

DESCRIPTION

FIG. 1 is a front perspective view of a beverage container showing my new design;

FIG. 2 is a rear perspective view thereof;

FIG. 3 is a front elevational view thereof;

FIG. 4 is a rear elevational view thereof;

FIG. 5 is a top plan view thereof;

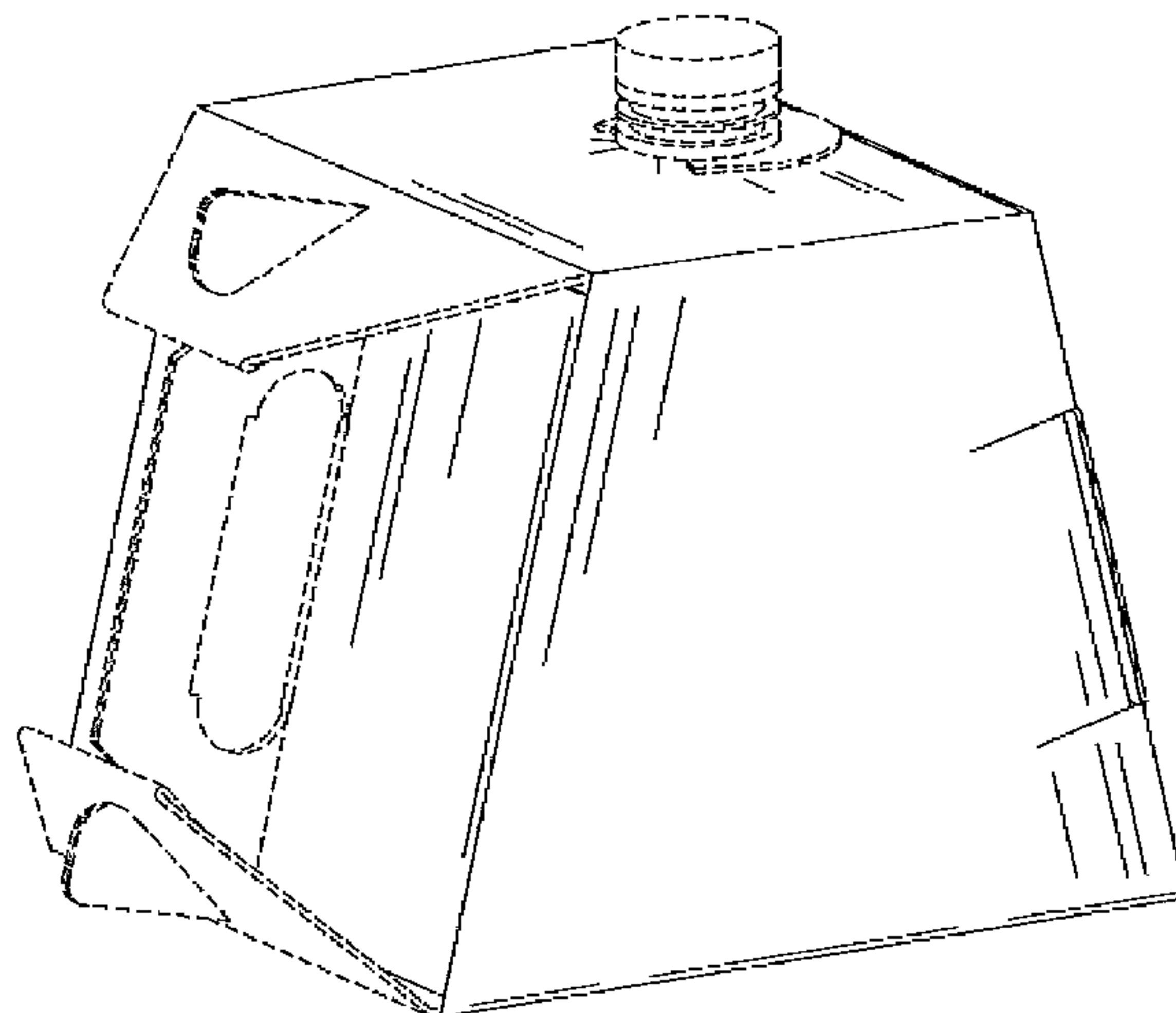
FIG. 6 is a bottom plan view thereof;

FIG. 7 is a left side elevational view thereof; and,

FIG. 8 is a right side elevational view thereof.

The broken lines in the drawings show unclaimed subject matter only and form no part of the claimed design.

1 Claim, 4 Drawing Sheets



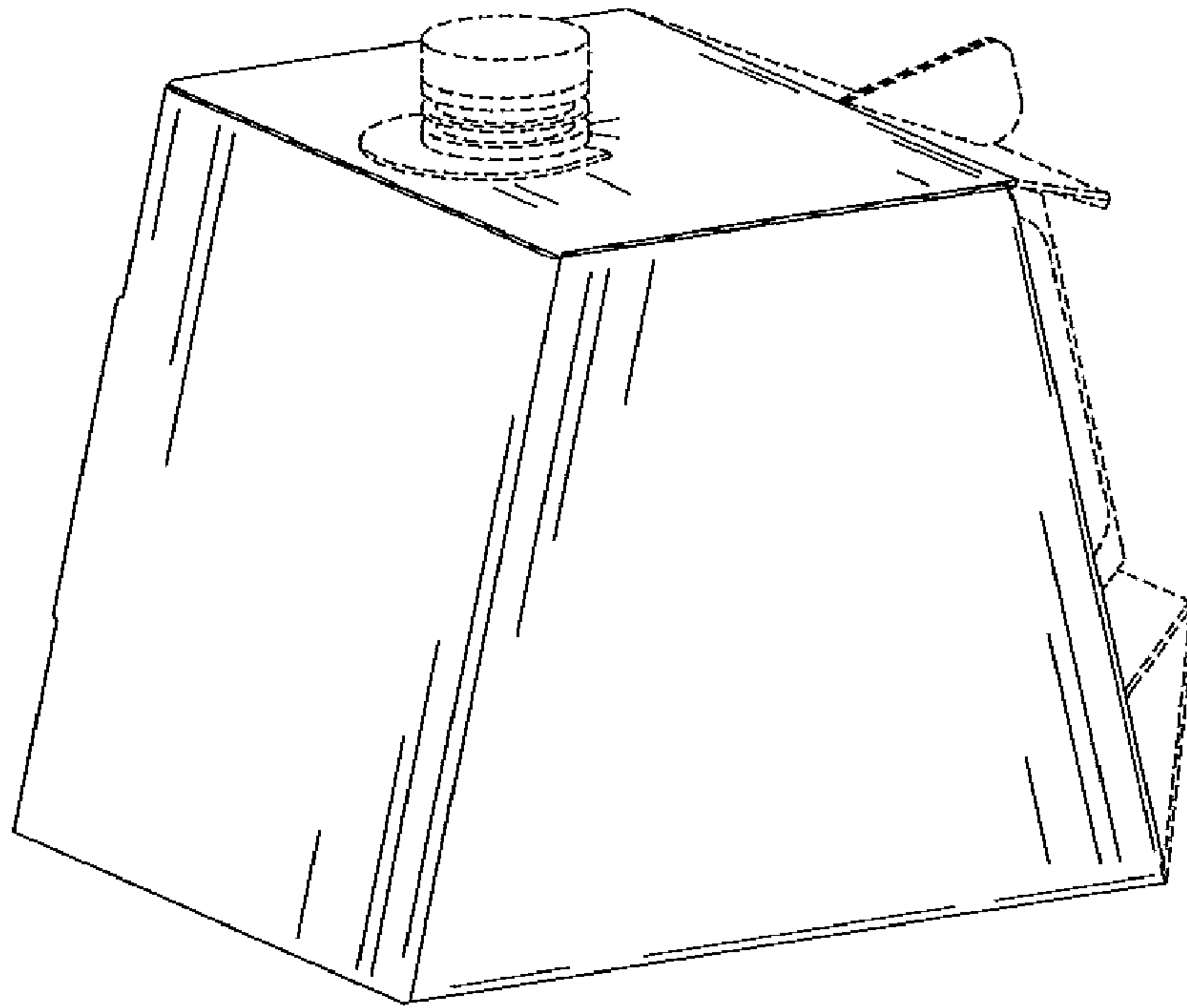


FIG. 1

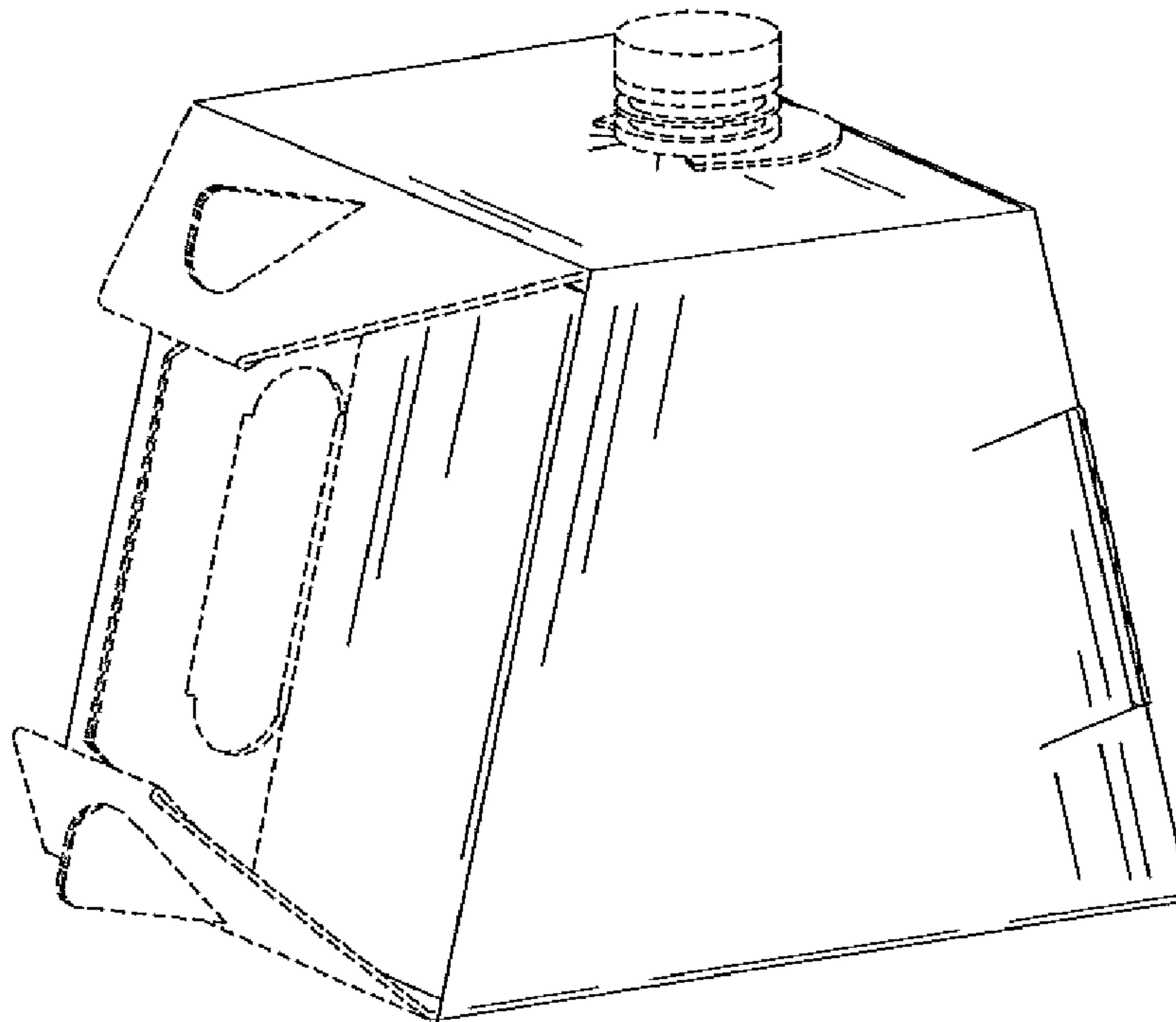


FIG. 2

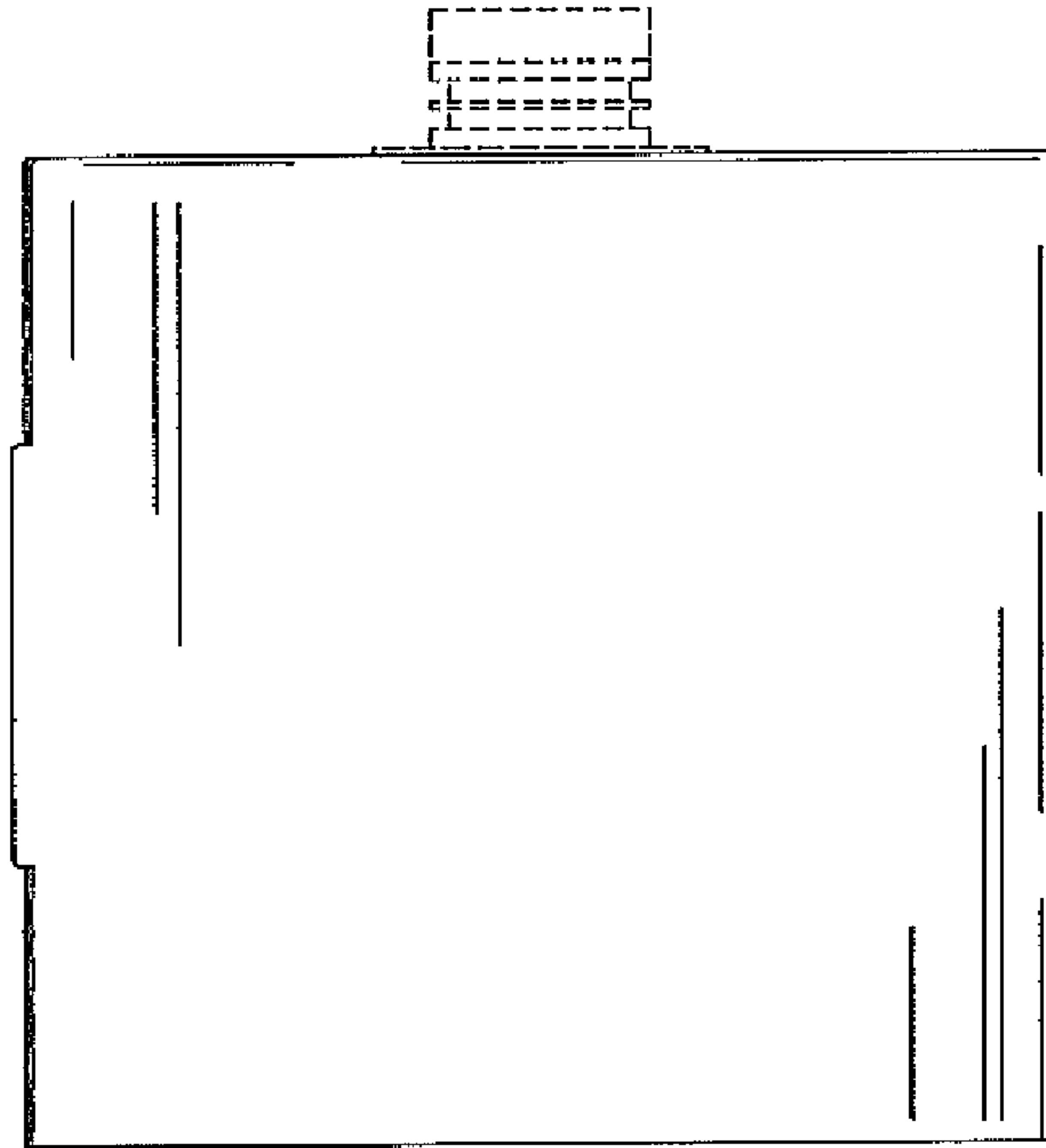


FIG. 3

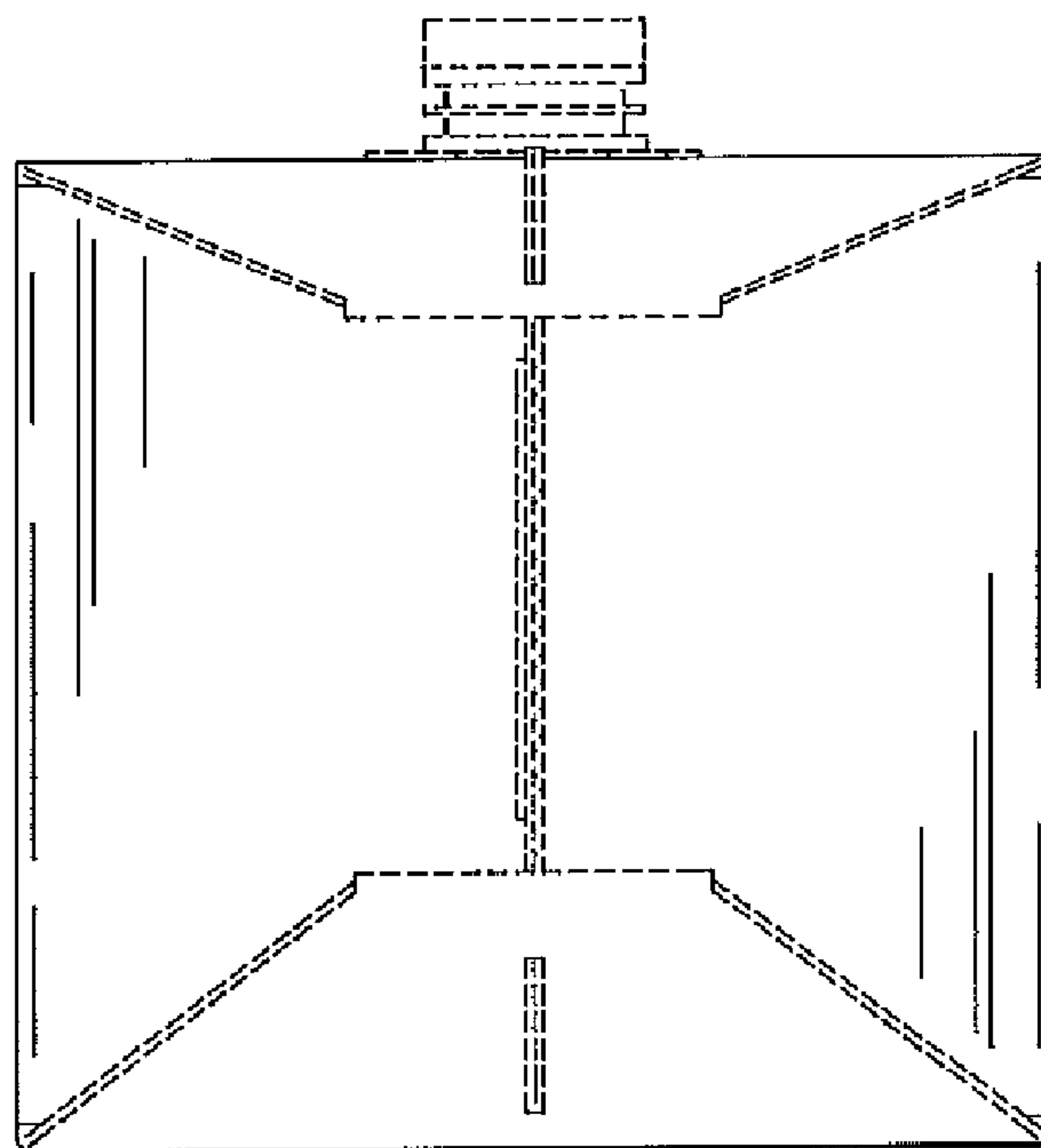


FIG. 4

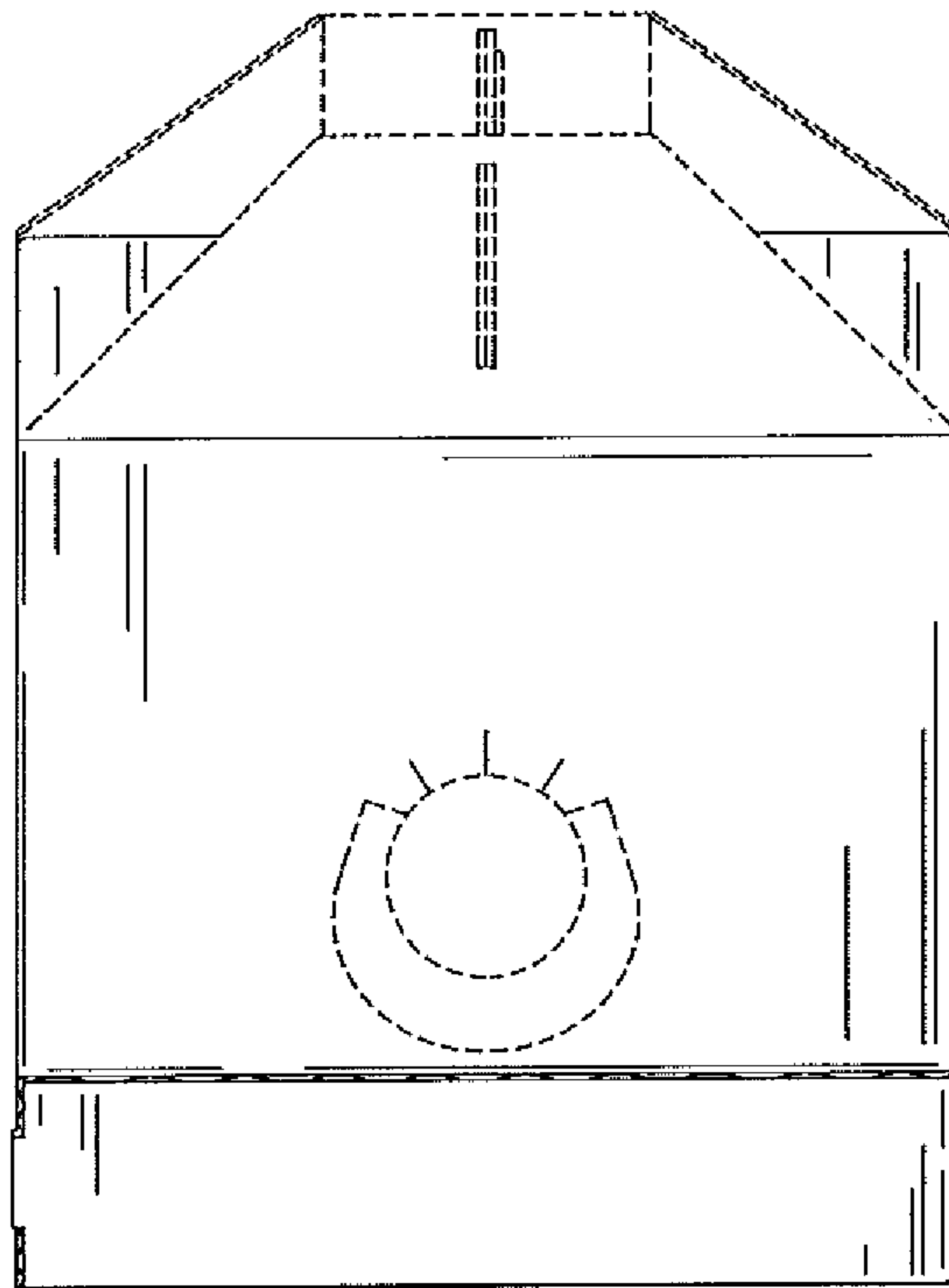


FIG. 5

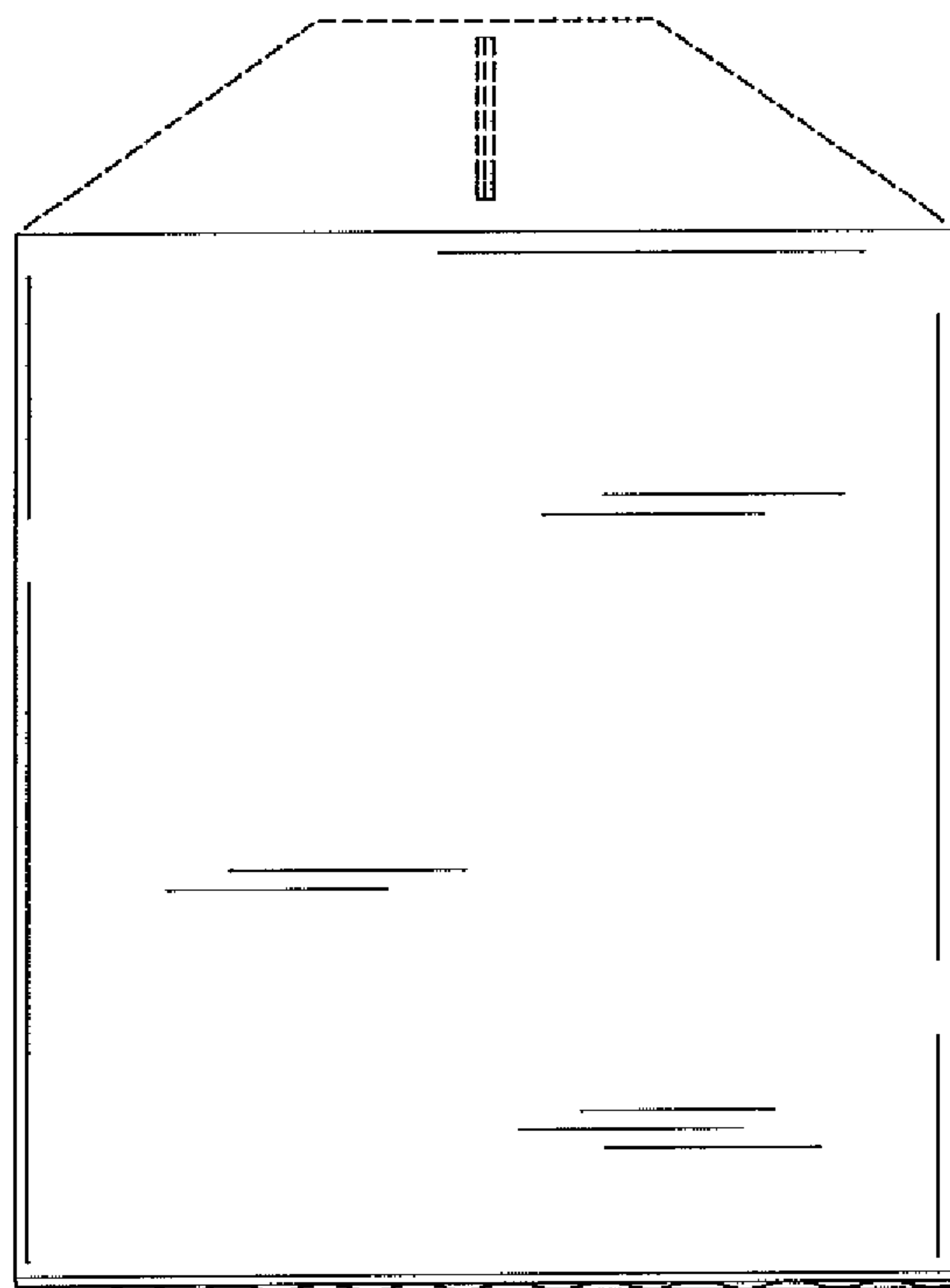


FIG. 6

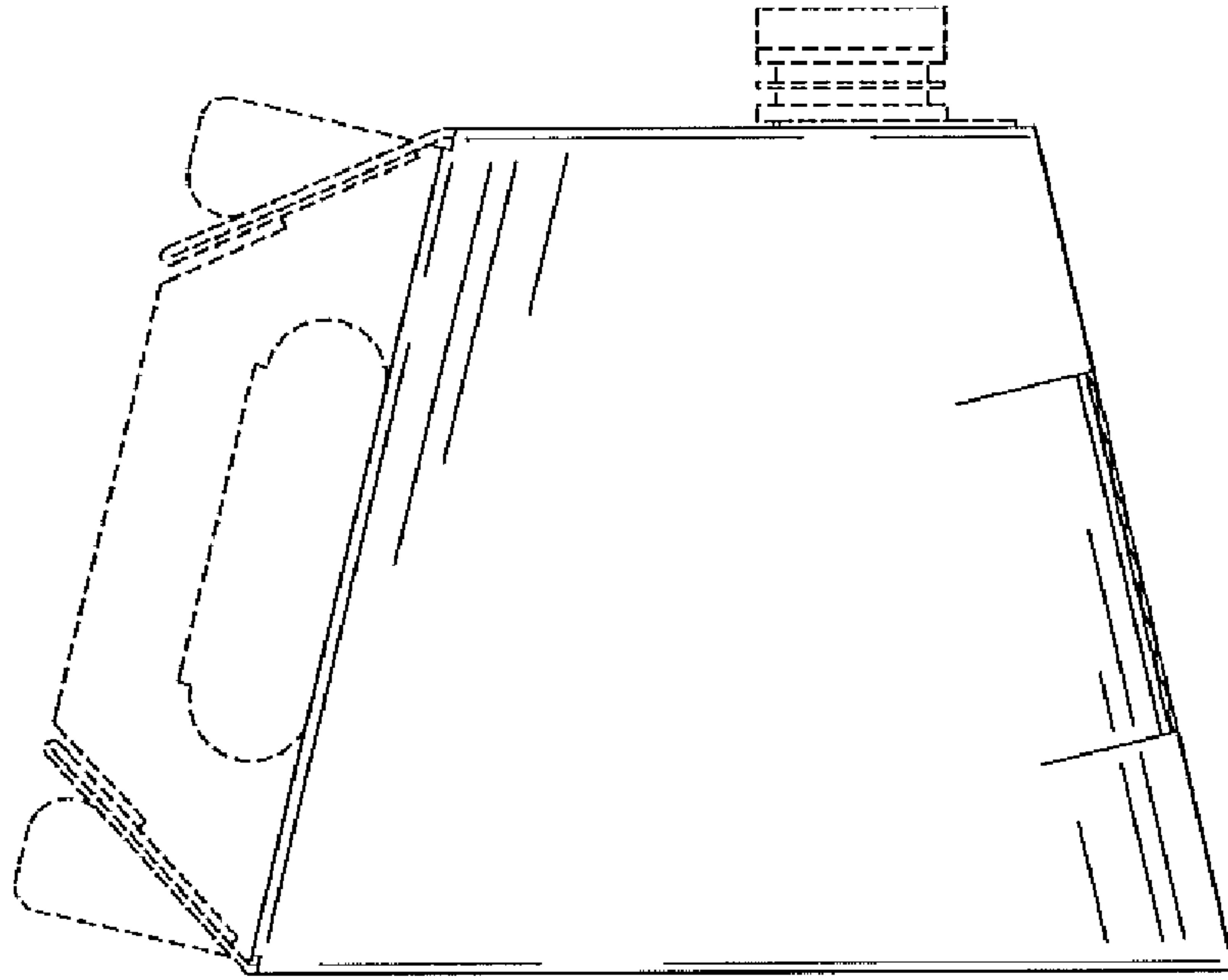


FIG. 7

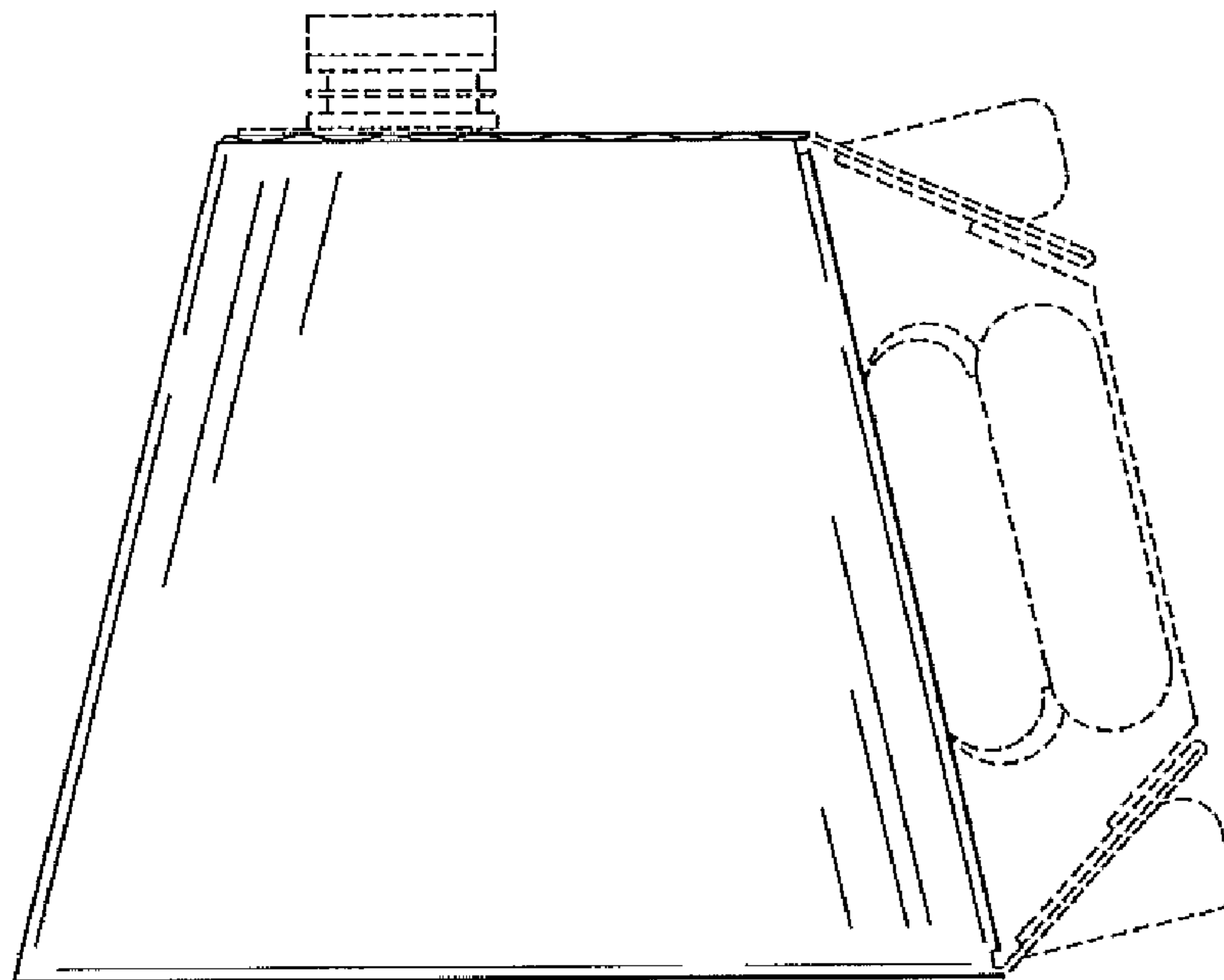


FIG. 8