



US00D625599S

(12) **United States Design Patent**
Golota et al.

(10) **Patent No.:** **US D625,599 S**

(45) **Date of Patent:** **** Oct. 19, 2010**

(54) **PACKAGE**

D581,781 S * 12/2008 Enriquez D9/429
D594,324 S * 6/2009 Colacitti D9/425
D594,326 S * 6/2009 Colacitti D9/425

(75) Inventors: **George A. Golota**, Glenview, IL (US);
Michael A. Drozek, Palatine, IL (US);
James J. Sanfilippo, Barrington Hills,
IL (US); **John E. Sanfilippo**, Barrington
Hills, IL (US); **Francisco J. Soria**, West
Chicago, IL (US)

* cited by examiner

Primary Examiner—Daniel D Bui
Assistant Examiner—Thomas J Johannes

(73) Assignee: **Clear Lam Packaging, Inc**, Elk Grove
Village, IL (US)

(57) **CLAIM**

We claim the ornamental design for a package, as shown and
described.

(**) Term: **14 Years**

DESCRIPTION

(21) Appl. No.: **29/346,557**

FIG. 1 is a bottom perspective view of a package showing our
new design;

(22) Filed: **Nov. 2, 2009**

FIG. 2 is a top perspective view thereof;

(51) **LOC (9) Cl.** **09-03**

FIG. 3 is a bottom plan view thereof;

(52) **U.S. Cl.** **D9/429**

FIG. 4 is a top plan view thereof;

(58) **Field of Classification Search** D9/414,
D9/416, 417, 418, 424, 425, 428, 429; D7/399–401,
D7/213, 601; D26/81, 83; 220/657–659,
220/669, 675, 574, 912, 913

FIG. 5 is a side elevation view thereof;

FIG. 6 is another side elevation view thereof;

See application file for complete search history.

FIG. 7 is another side elevation view thereof; and,

FIG. 8 is another side elevation view thereof.

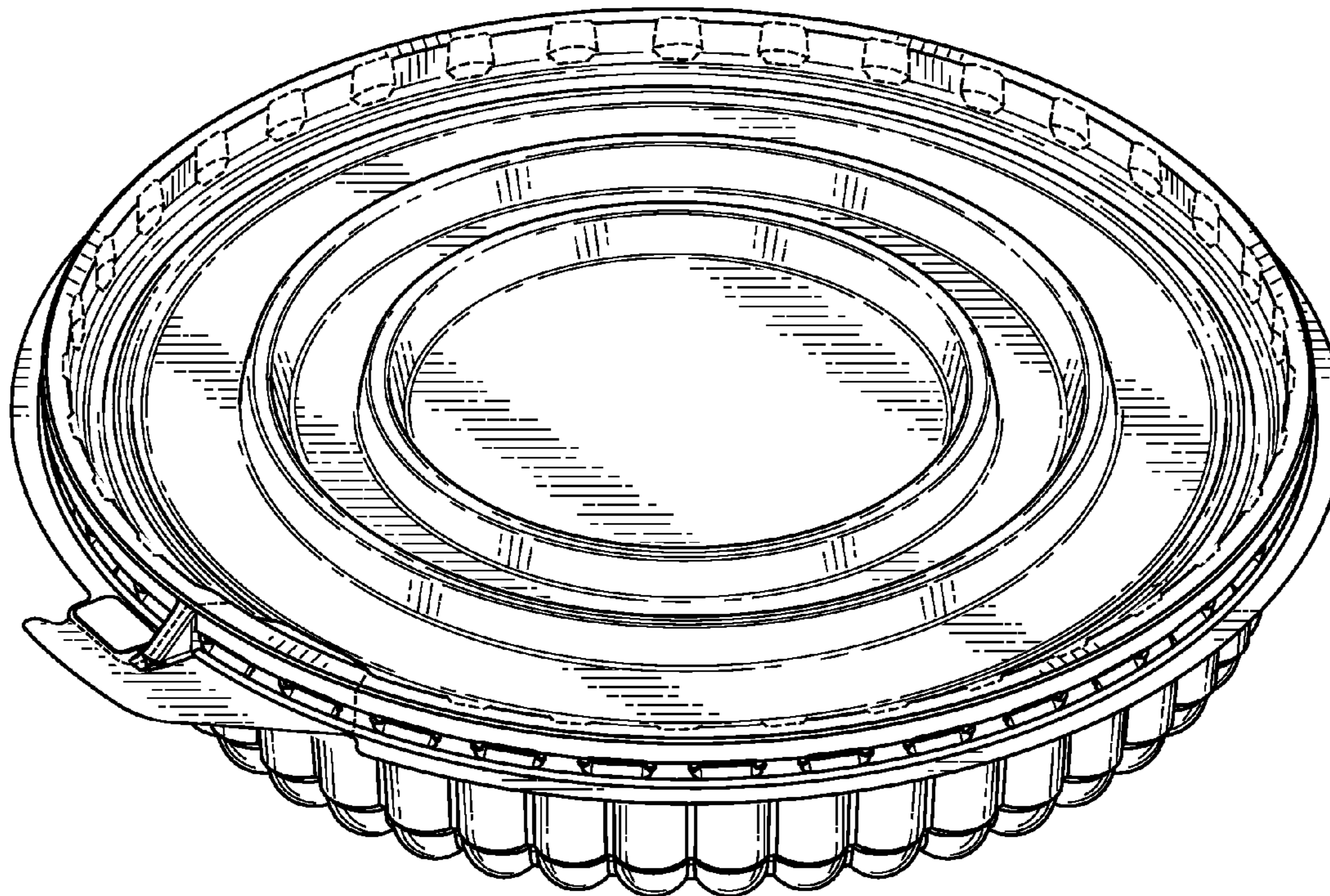
(56) **References Cited**

The broken line portion of the figure drawings is included to
show unclaimed subject matter only and forms no part of the
claimed design.

U.S. PATENT DOCUMENTS

D391,850 S * 3/1998 Krupa et al. D9/429
D427,902 S * 7/2000 Hayes et al. D9/425

1 Claim, 6 Drawing Sheets



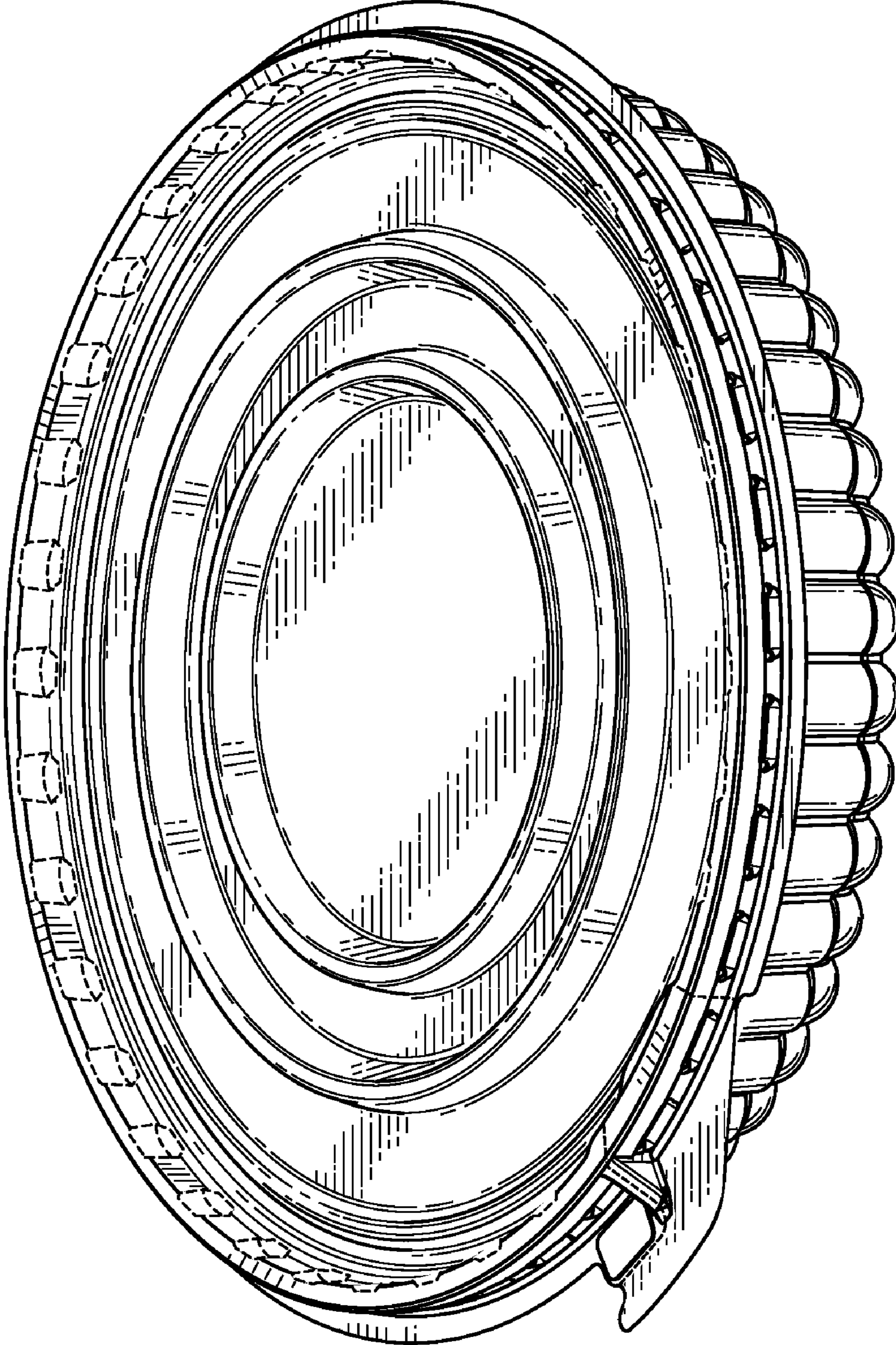


FIG. 1

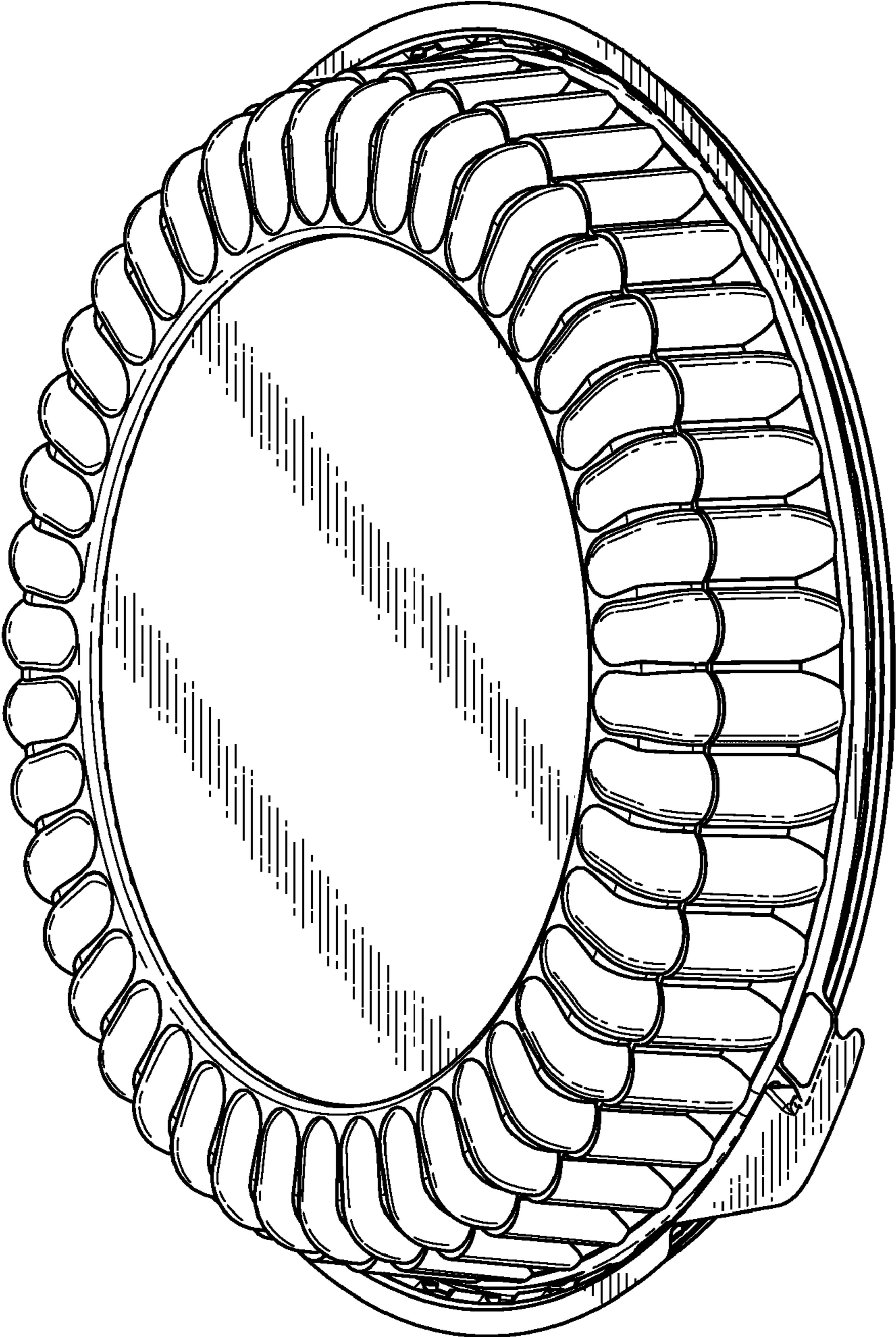


FIG. 2

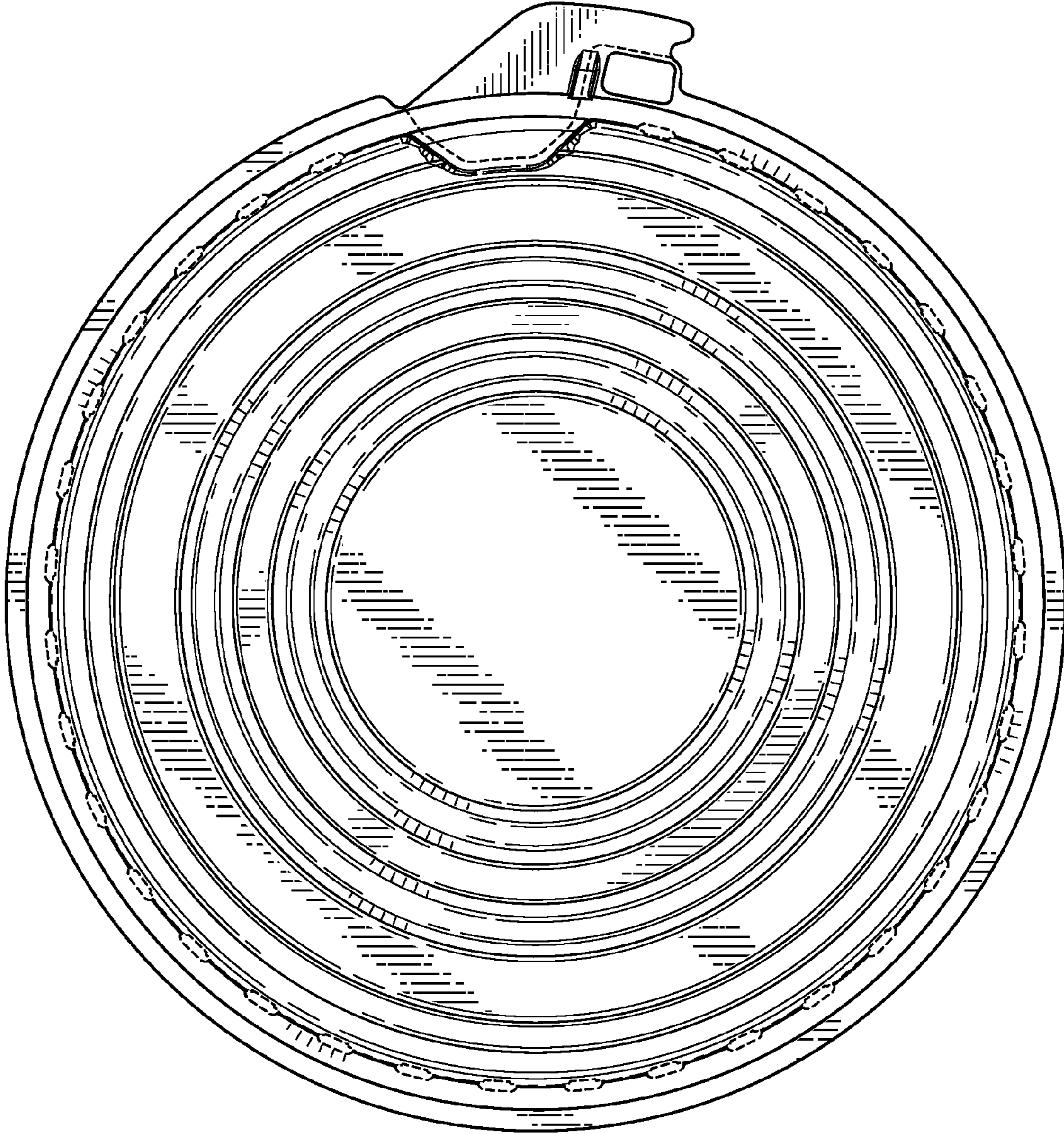


FIG. 3

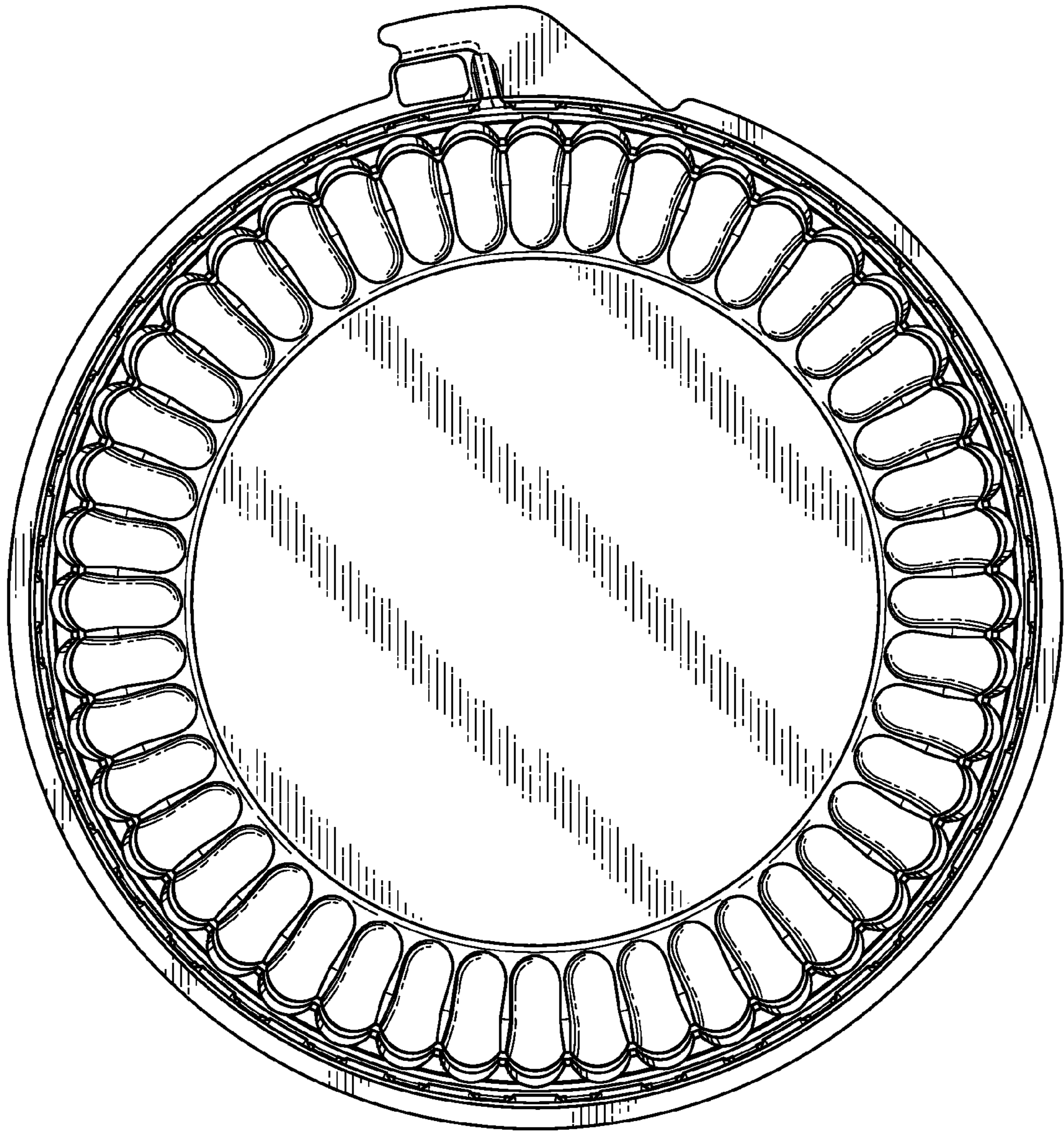


FIG. 4

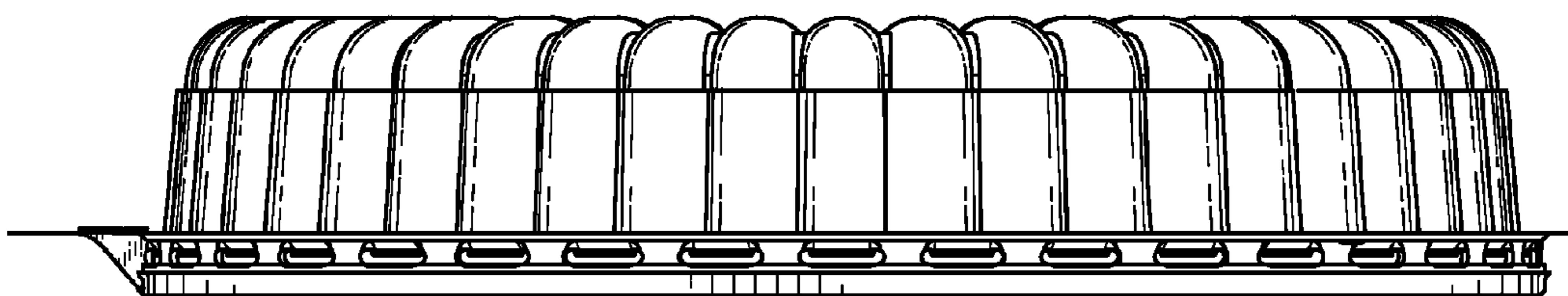


FIG. 5

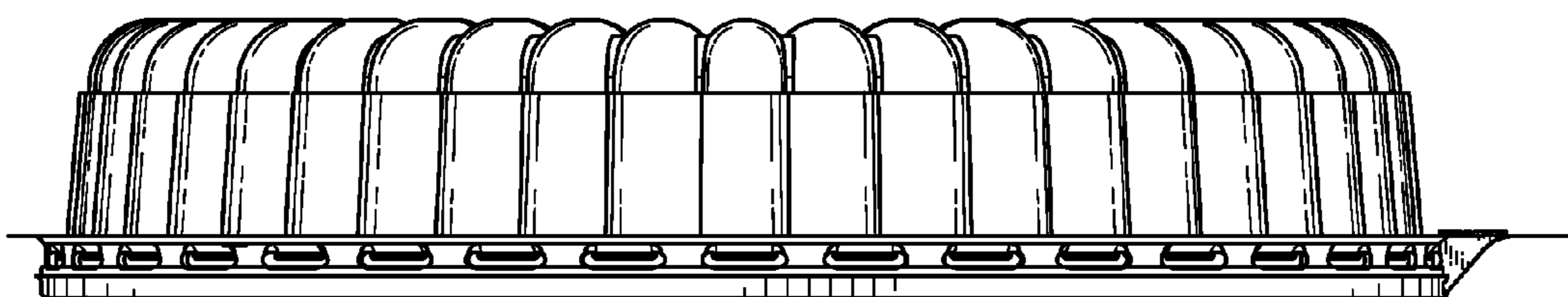


FIG. 6

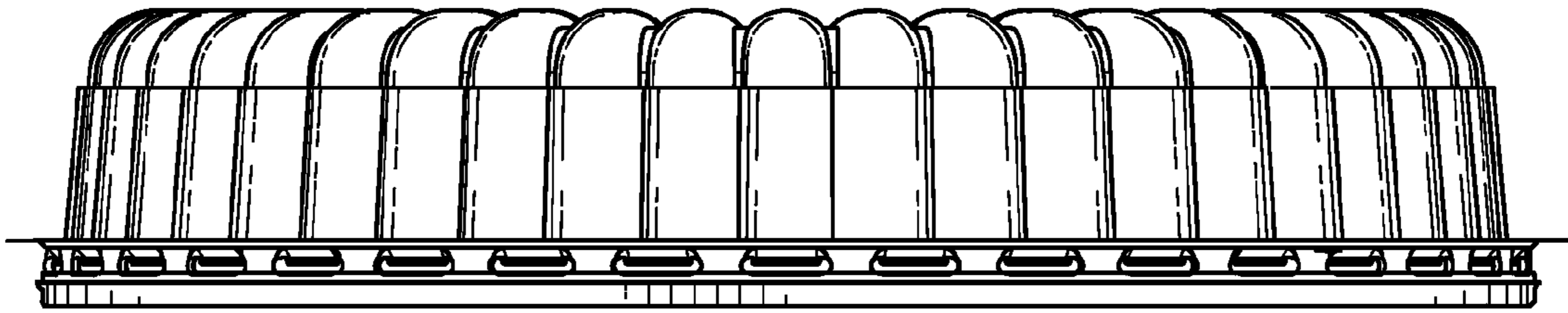


FIG. 7

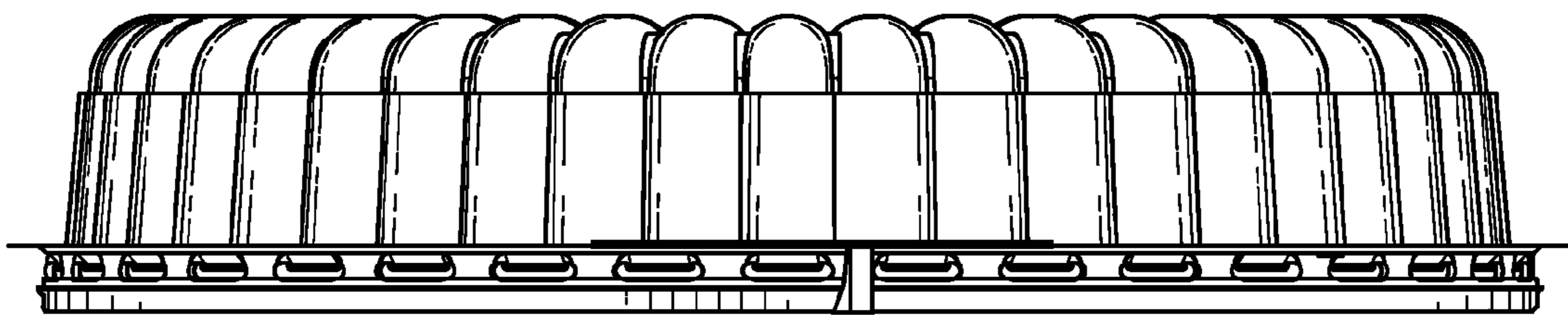


FIG. 8