



US00D625598S

(12) **United States Design Patent**
Ruth

(10) **Patent No.:** **US D625,598 S**
(45) **Date of Patent:** **** Oct. 19, 2010**

(54) **SLEEVED DISPLAY PACKAGE**

(75) Inventor: **James R. Ruth**, Miami, FL (US)

(73) Assignee: **TracFone Wireless, Inc.**, Miami, FL (US)

(**) Term: **14 Years**

(21) Appl. No.: **29/315,828**

(22) Filed: **Jul. 28, 2009**

(51) **LOC (9) Cl.** **09-03**

(52) **U.S. Cl.** **D9/423; D9/721; D9/415**

(58) **Field of Classification Search** D9/715,
D9/721, 722, 737, 414, 415, 418, 420, 423,
D9/432, 433, 434, 435, 436, 346; 206/320,
206/387.1, 387.13, 461-471, 775, 776, 781,
206/782, 562-564, 588-592; 229/160.2,
229/23 TB

See application file for complete search history.

(56) **References Cited**

U.S. PATENT DOCUMENTS

3,487,915 A	1/1970	Scott
3,519,128 A	7/1970	Swanberg
3,755,925 A	9/1973	Court
3,939,979 A	2/1976	Neumayer
4,180,165 A	12/1979	Kuchenbecker

(Continued)

Primary Examiner—Daniel J Bui

Assistant Examiner—Thomas J Johannes

(74) *Attorney, Agent, or Firm*—Greenberg Traurig P.A.

(57) **CLAIM**

I claim the ornamental design for the sleeved display package, as shown and described.

DESCRIPTION

FIG. 1 is an expanded front right perspective view showing the front cover of sleeve in the open position;

FIG. 2 is an expanded left side elevational view showing the front cover of sleeve in the open position;

FIG. 3 is an expanded front elevational view showing the front cover of sleeve in the open position;

FIG. 4 is an expanded right side elevational view showing the front cover of sleeve in the open position;

FIG. 5 is an expanded rear elevational view thereof;

FIG. 6 is an expanded top elevational view showing the front cover of sleeve in the open position;

FIG. 7 is an expanded bottom elevational view showing the front cover of sleeve in the open position;

FIG. 8 is an assembled front right perspective view with front cover of sleeve in open position;

FIG. 9 is an assembled front right perspective view with front cover of sleeve in closed position;

FIG. 10 is an assembled top elevational view with front cover of sleeve in closed position;

FIG. 11 is an assembled left side elevational view with front cover of sleeve in closed position;

FIG. 12 is an assembled front elevational view with front cover of sleeve in closed position;

FIG. 13 is an assembled bottom elevational view with front cover of sleeve in closed position;

FIG. 14 is an assembled rear elevational view;

FIG. 15 is an assembled right side elevational view with front cover of sleeve in closed position;

FIG. 16 is a front right perspective view of inner package in open position;

FIG. 17 is a right side elevational view of inner package in open position;

FIG. 18 is a front view of inner package in open position;

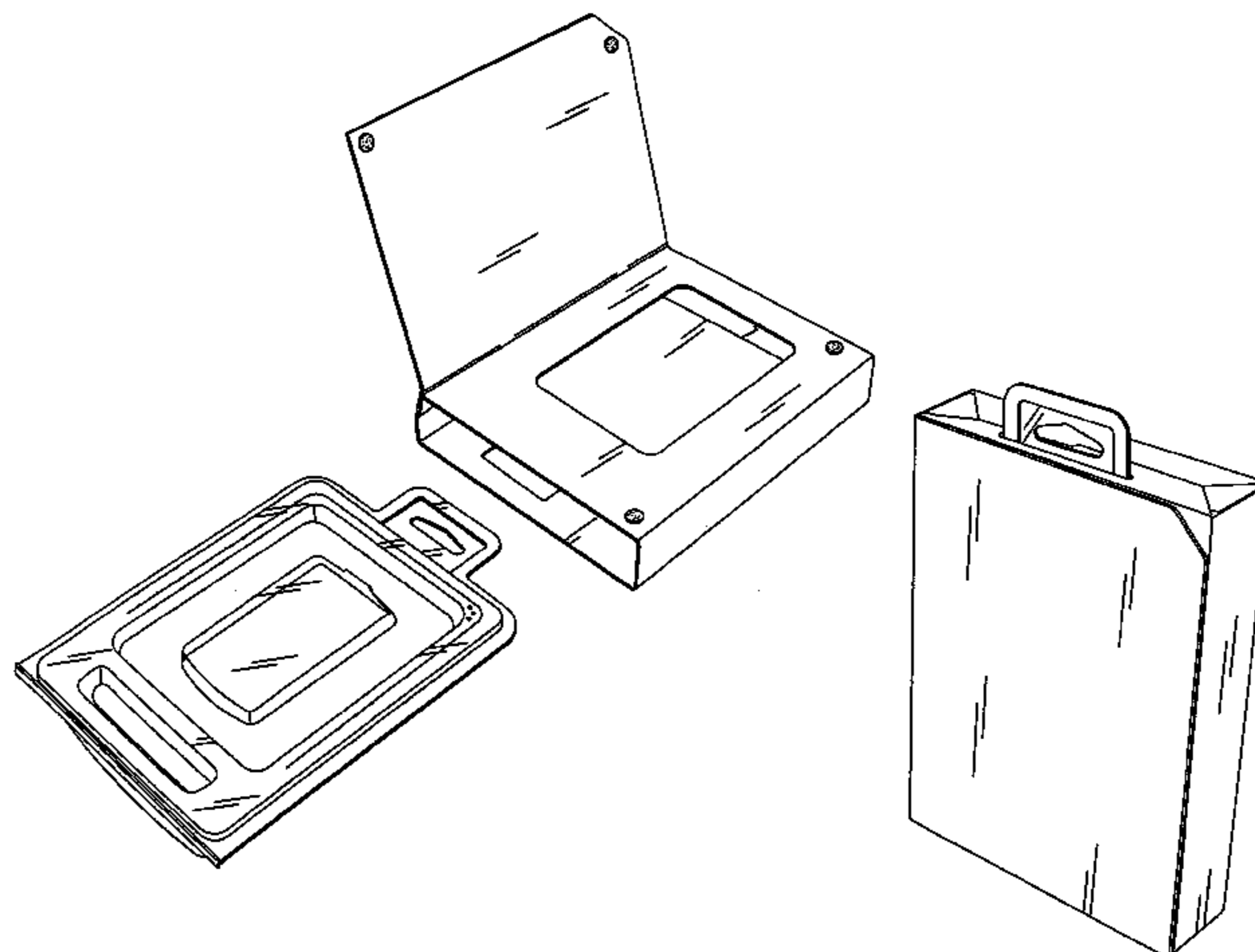
FIG. 19 is a left side elevational view of inner package in open position;

FIG. 20 is a top elevational view of inner package in open position;

FIG. 21 is a bottom elevational view of inner package in open position; and,

FIG. 22 is a rear view of inner package in open position.

1 Claim, 10 Drawing Sheets



US D625,598 S

Page 2

U.S. PATENT DOCUMENTS					
4,284,204	A	8/1981 Carey, Jr.	D401,853	S *	12/1998 Stavridis D9/432
D261,485	S	10/1981 Haubert	5,950,820	A	9/1999 Heinze, III
4,326,665	A	4/1982 Scott	5,984,103	A	11/1999 Stirmel et al.
D265,551	S	7/1982 Colby et al.	6,095,408	A	8/2000 Nguyen
4,408,693	A	10/1983 Brewaeys et al.	6,105,784	A	8/2000 Salminen et al.
D278,979	S	5/1985 Anderson et al.	6,398,026	B1	6/2002 Parsons
4,711,348	A	12/1987 Schluger	D463,978	S *	10/2002 DiMartino D9/415
4,739,353	A	4/1988 Heuer et al.	6,527,111	B2	3/2003 Leung et al.
D327,004	S *	6/1992 Nadel D9/522	6,588,596	B1	7/2003 Holmes et al.
D329,600	S *	9/1992 LaJoie D9/418	6,814,225	B2	11/2004 Belden, Jr. et al.
5,174,442	A *	12/1992 Kurnit 206/232	7,000,774	B2	2/2006 Bryant
5,209,354	A	5/1993 Thornhill et al.	D521,862	S	5/2006 Siethoff et al.
5,226,532	A	7/1993 Davidson et al.	7,243,800	B1	7/2007 Feibelman
5,232,087	A	8/1993 Schluger	7,296,681	B2	11/2007 McDonald et al.
5,248,037	A	9/1993 Kornberg et al.	D556,564	S *	12/2007 Lee et al. D9/415
5,289,917	A	3/1994 Chabria	D556,565	S *	12/2007 Nazari D9/418
5,409,105	A	4/1995 Appelbaum et al.	D618,539	S *	6/2010 Ruth D9/415
D372,670	S *	8/1996 Healey D9/422	D618,540	S *	6/2010 Ruth D9/415
5,575,384	A	11/1996 Saye	2006/0124504	A1	6/2006 Rager
D390,108	S	2/1998 Landis et al.	2007/0209958	A1	9/2007 Begim
5,775,494	A	7/1998 Taplin	2008/0011637	A1	1/2008 Young et al.
5,794,631	A	8/1998 Sylvester	2008/0060975	A1	3/2008 Young et al.
			2008/0314784	A1	12/2008 Schroeder

* cited by examiner

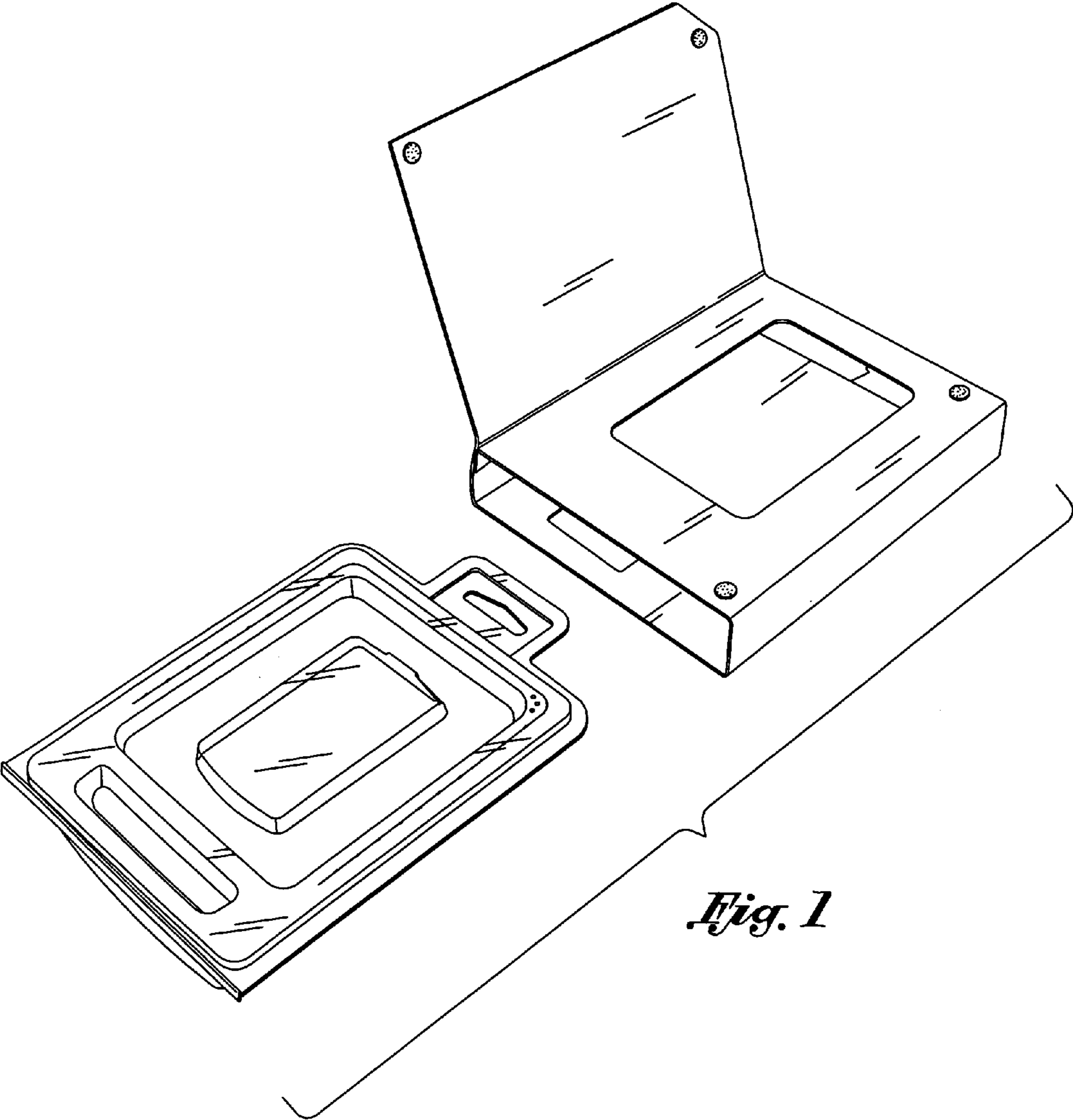


Fig. 1

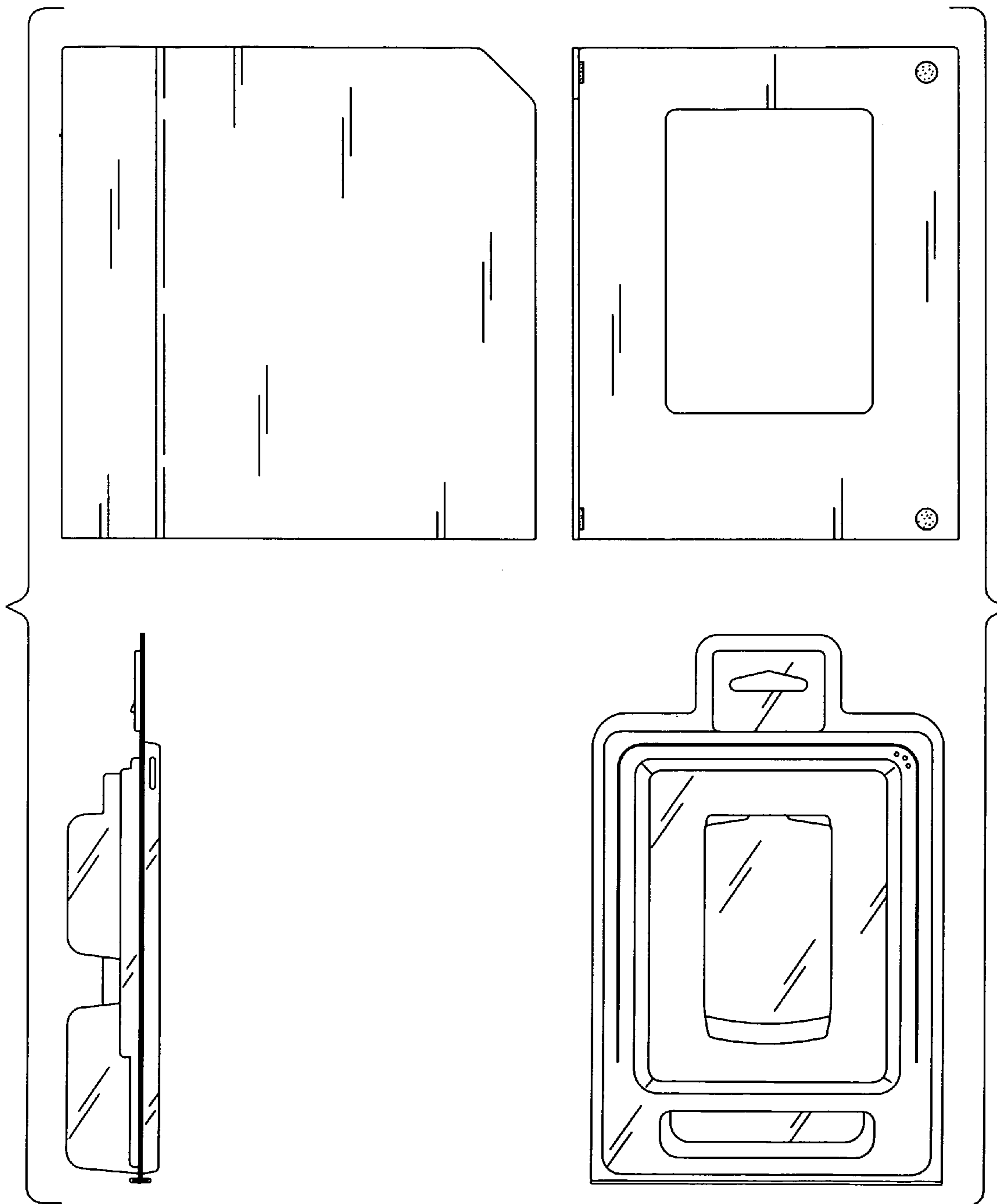


Fig. 2

Fig. 3

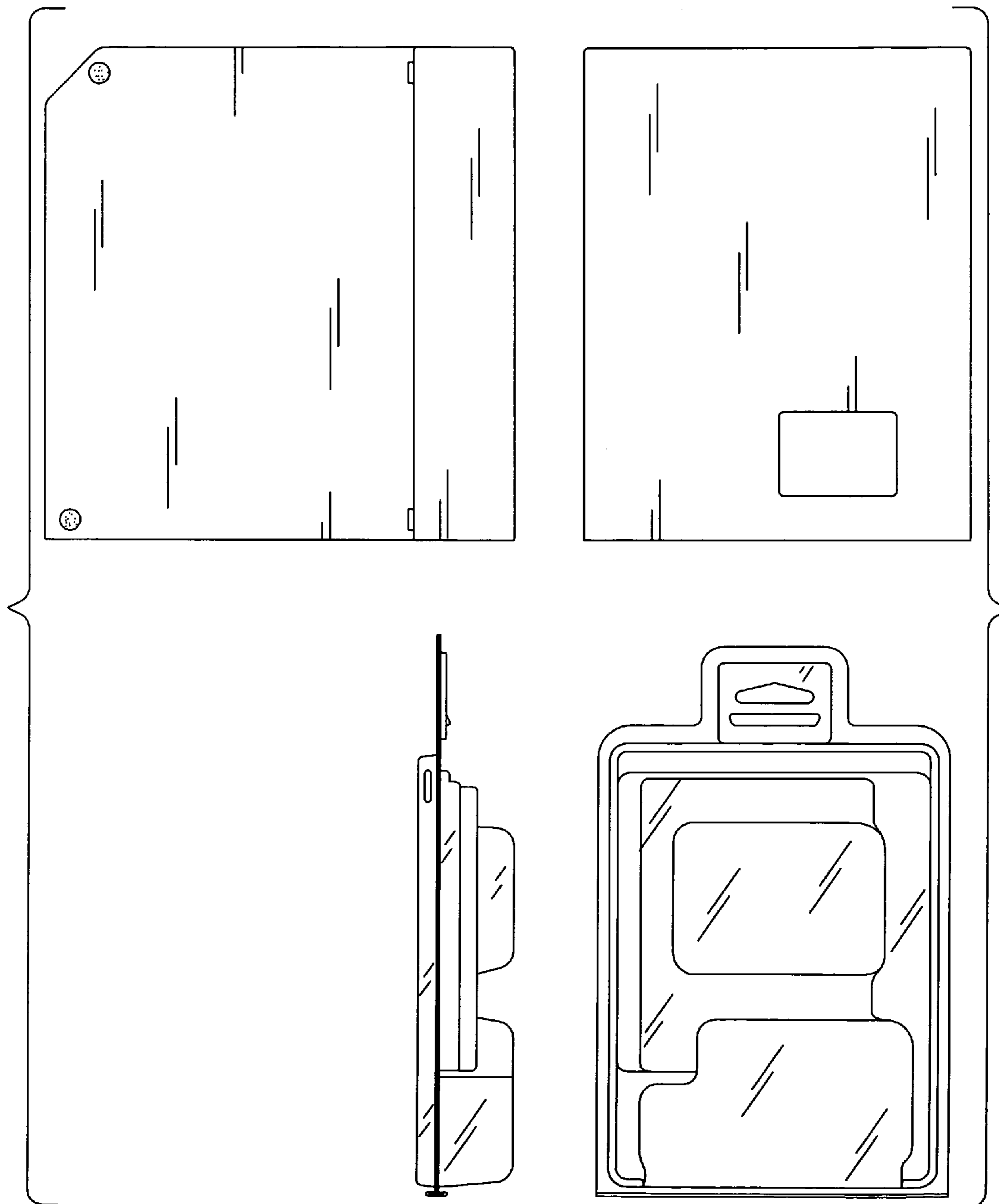


Fig. 4

Fig. 5

Fig. 6

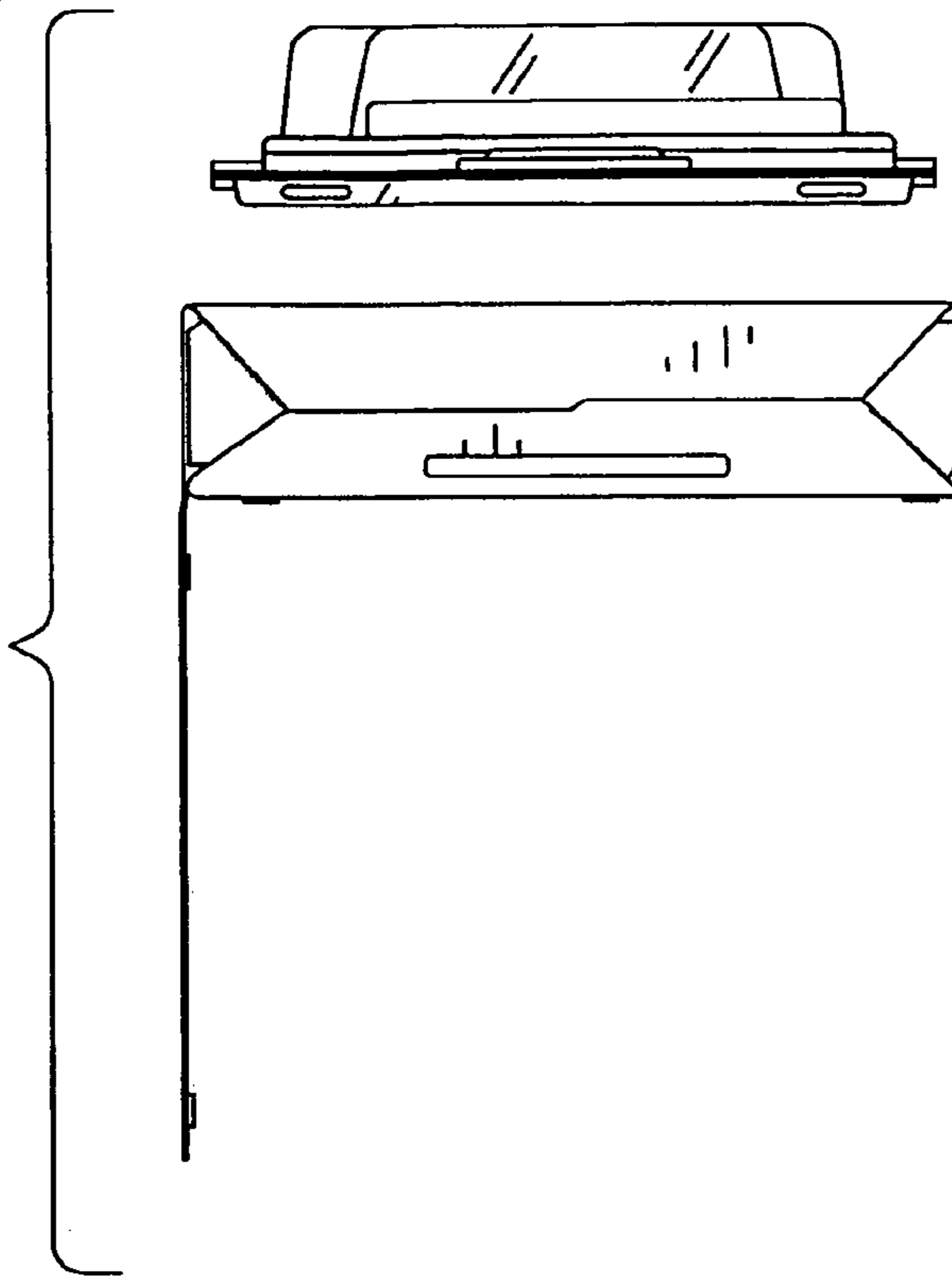
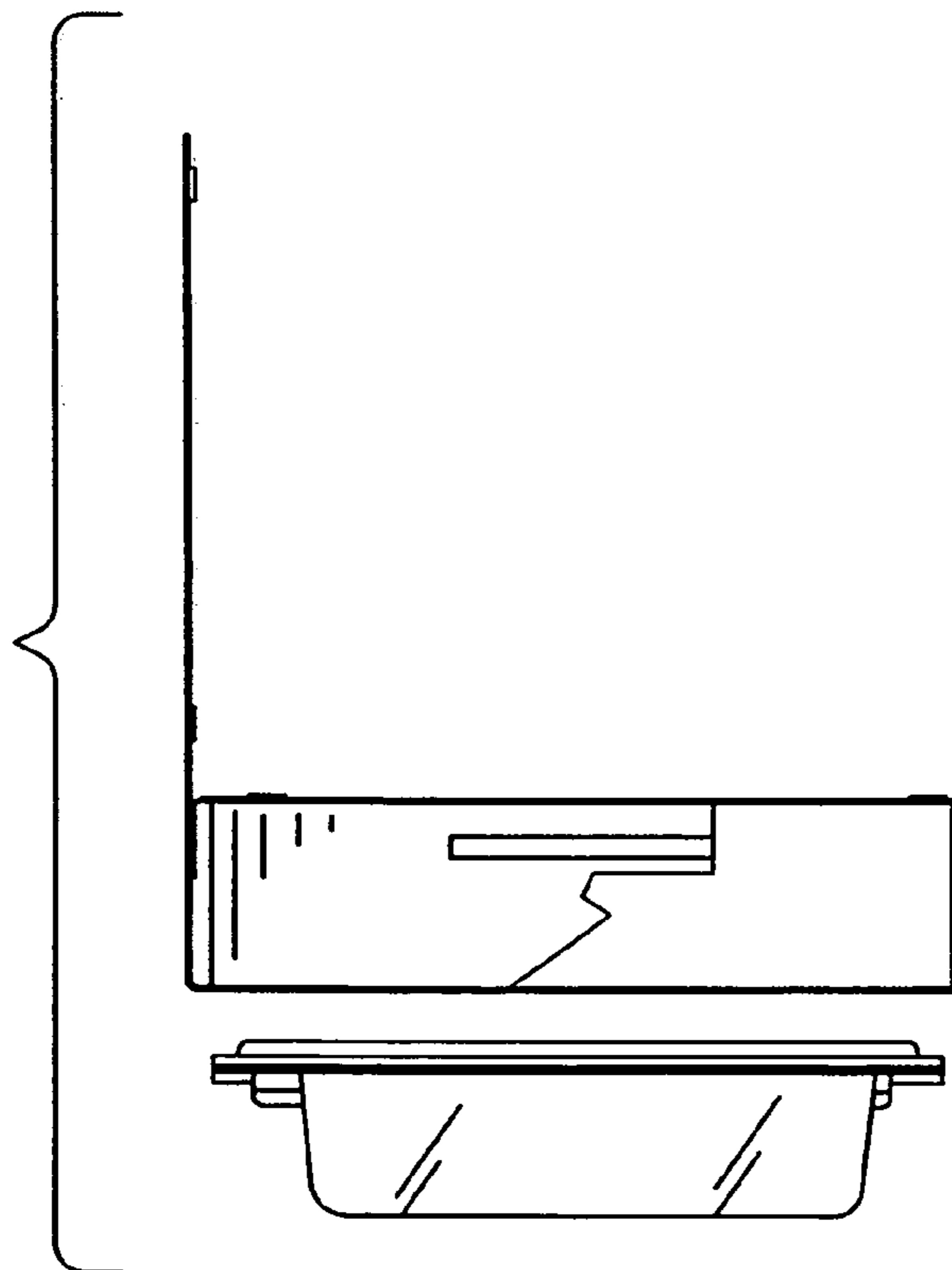


Fig. 7



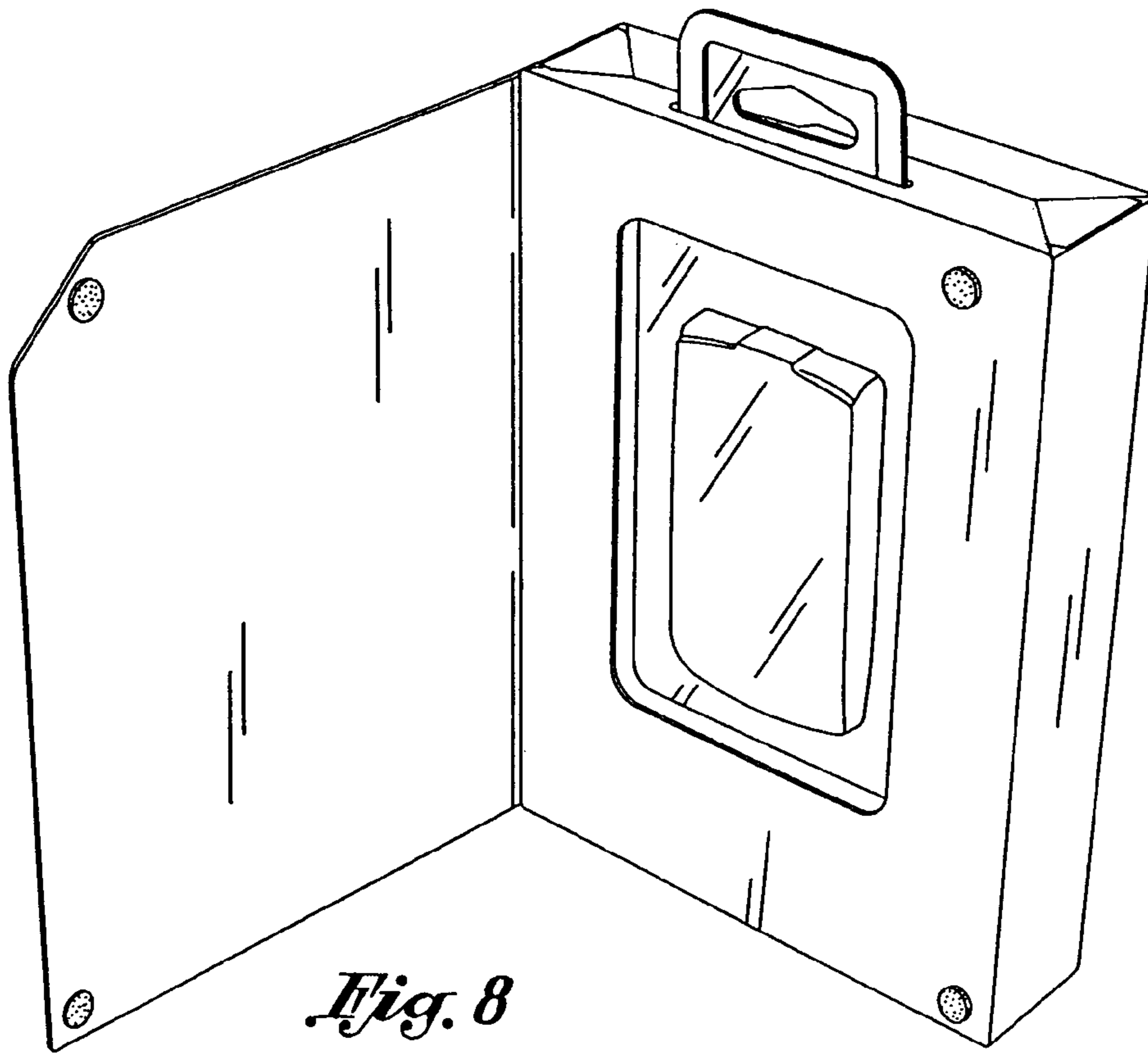


Fig. 8

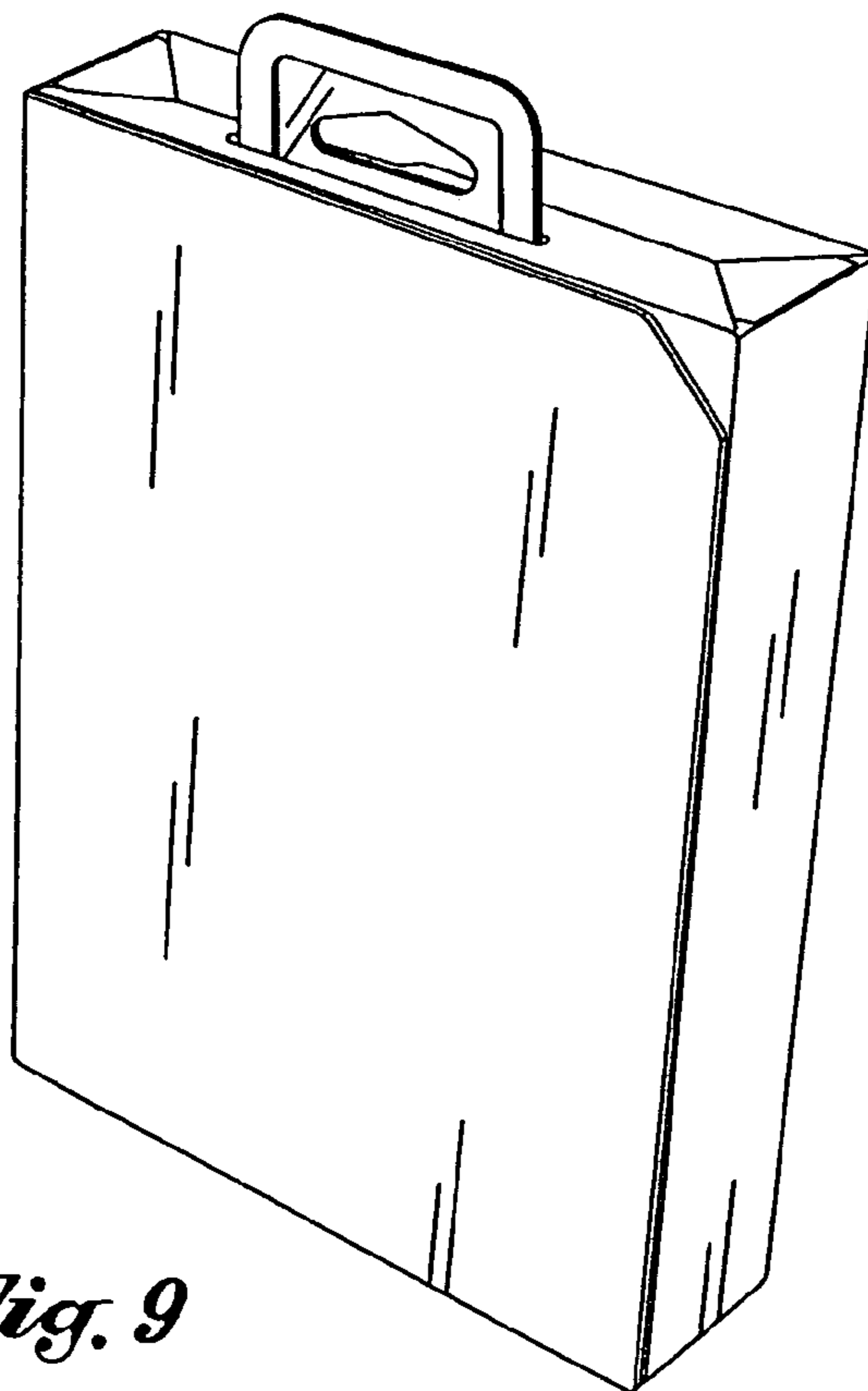


Fig. 9

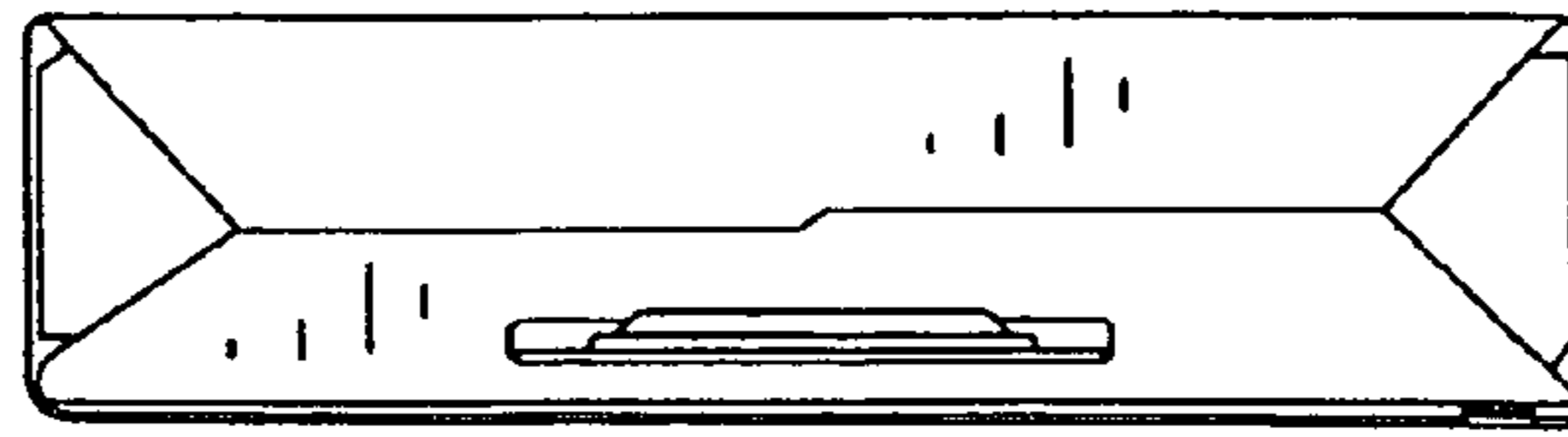


Fig. 10

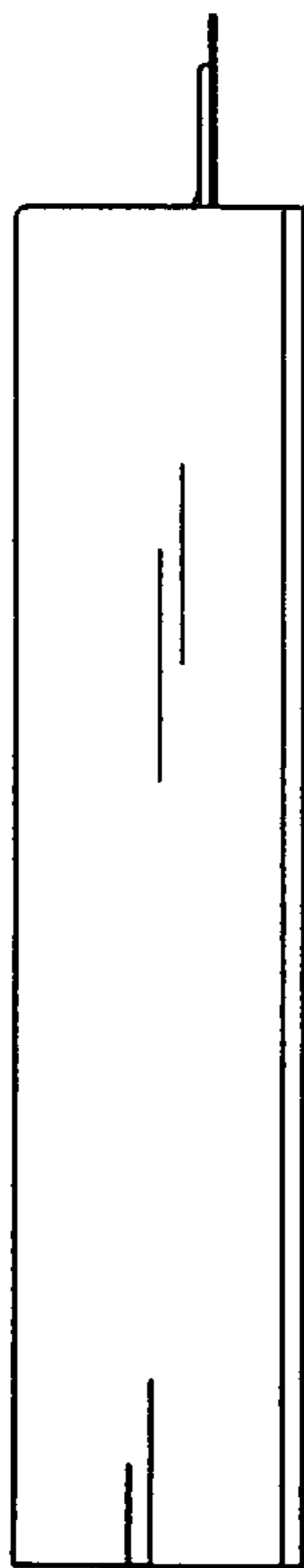


Fig. 11

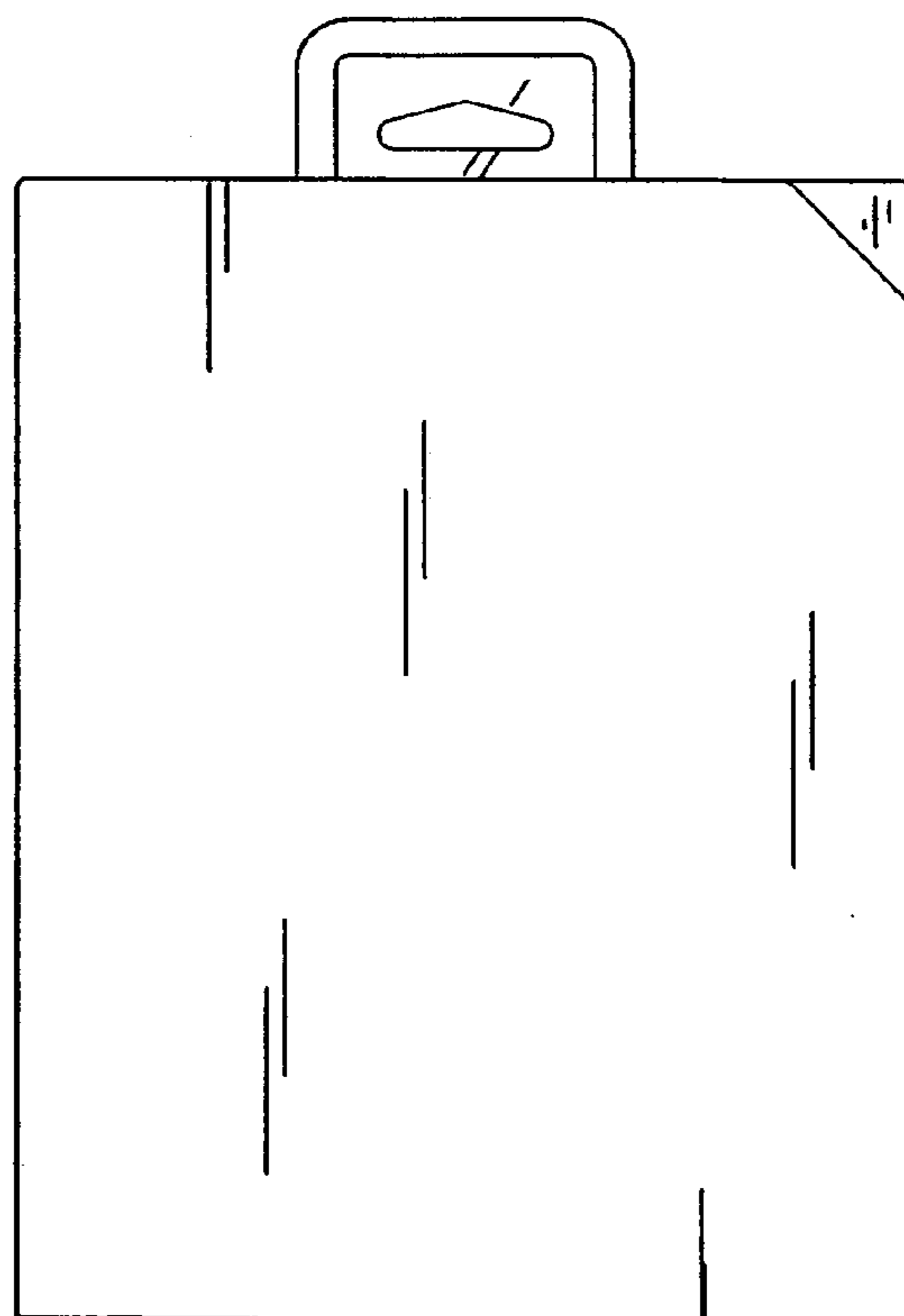


Fig. 12

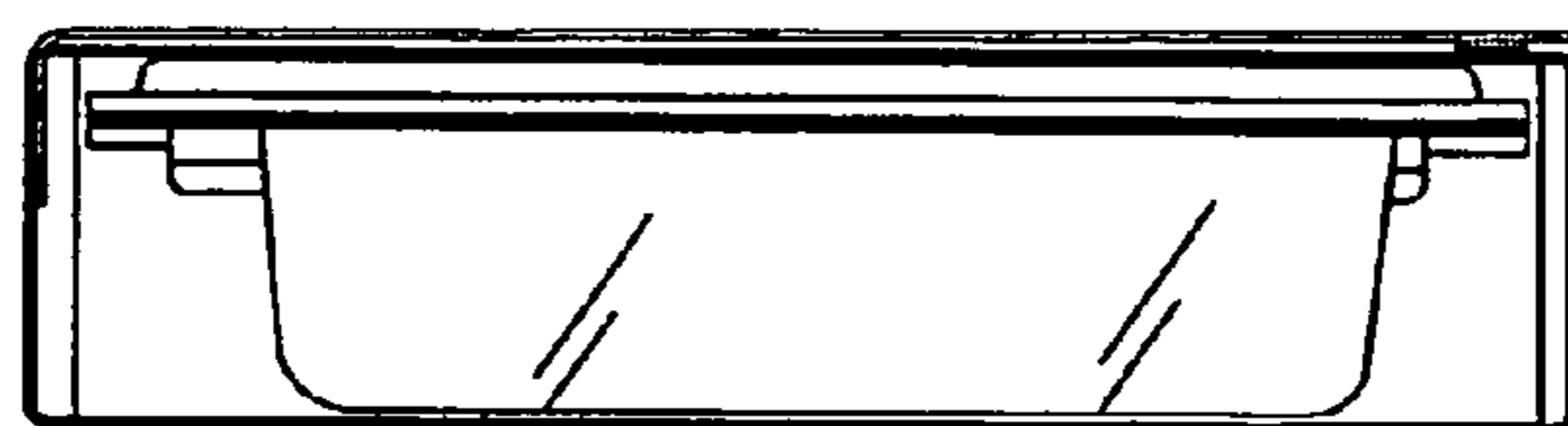


Fig. 13

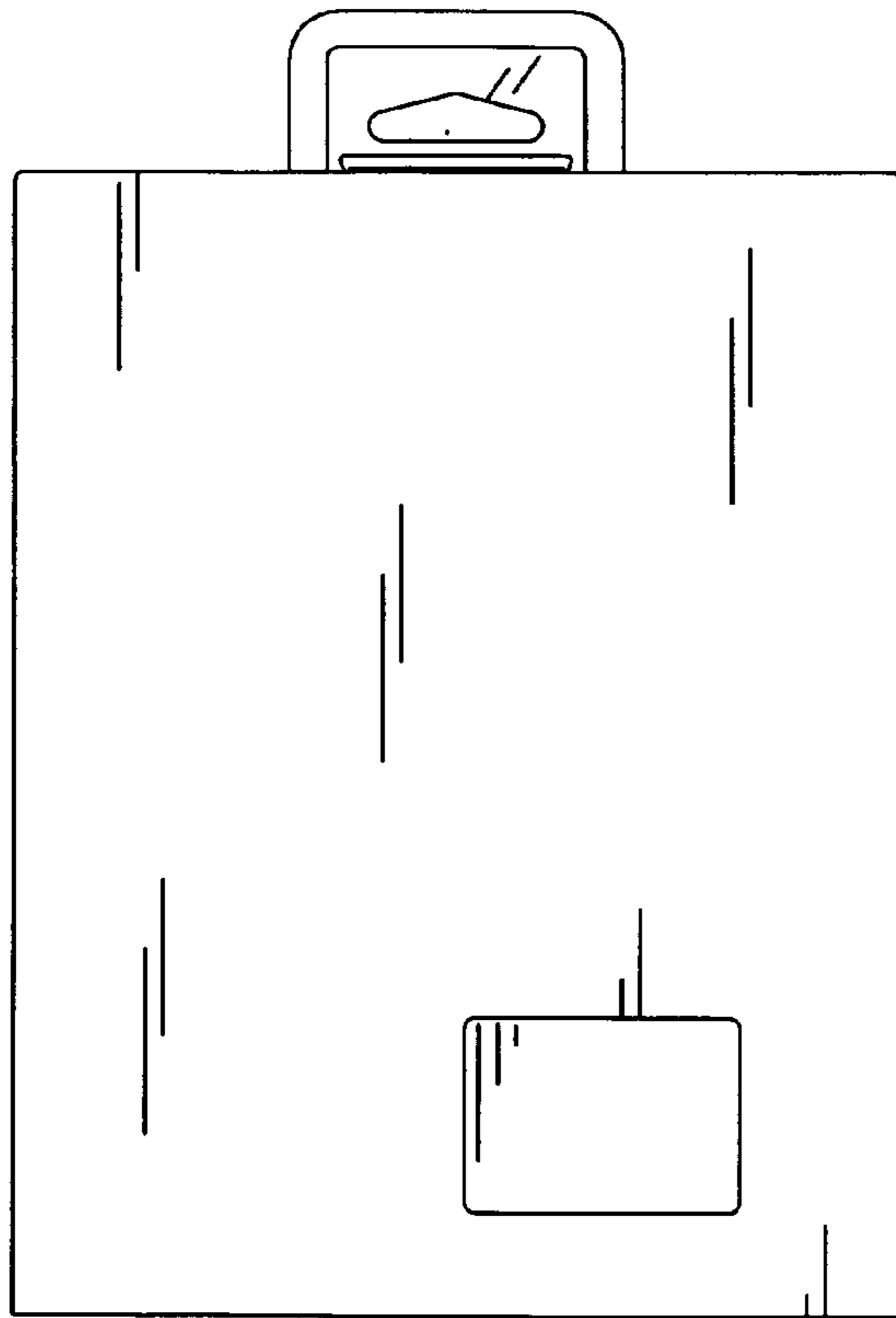


Fig. 14

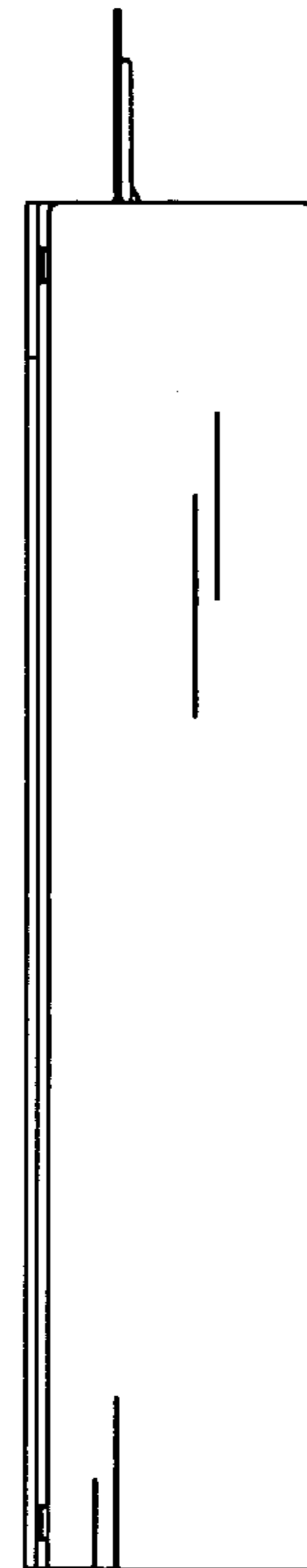


Fig. 15

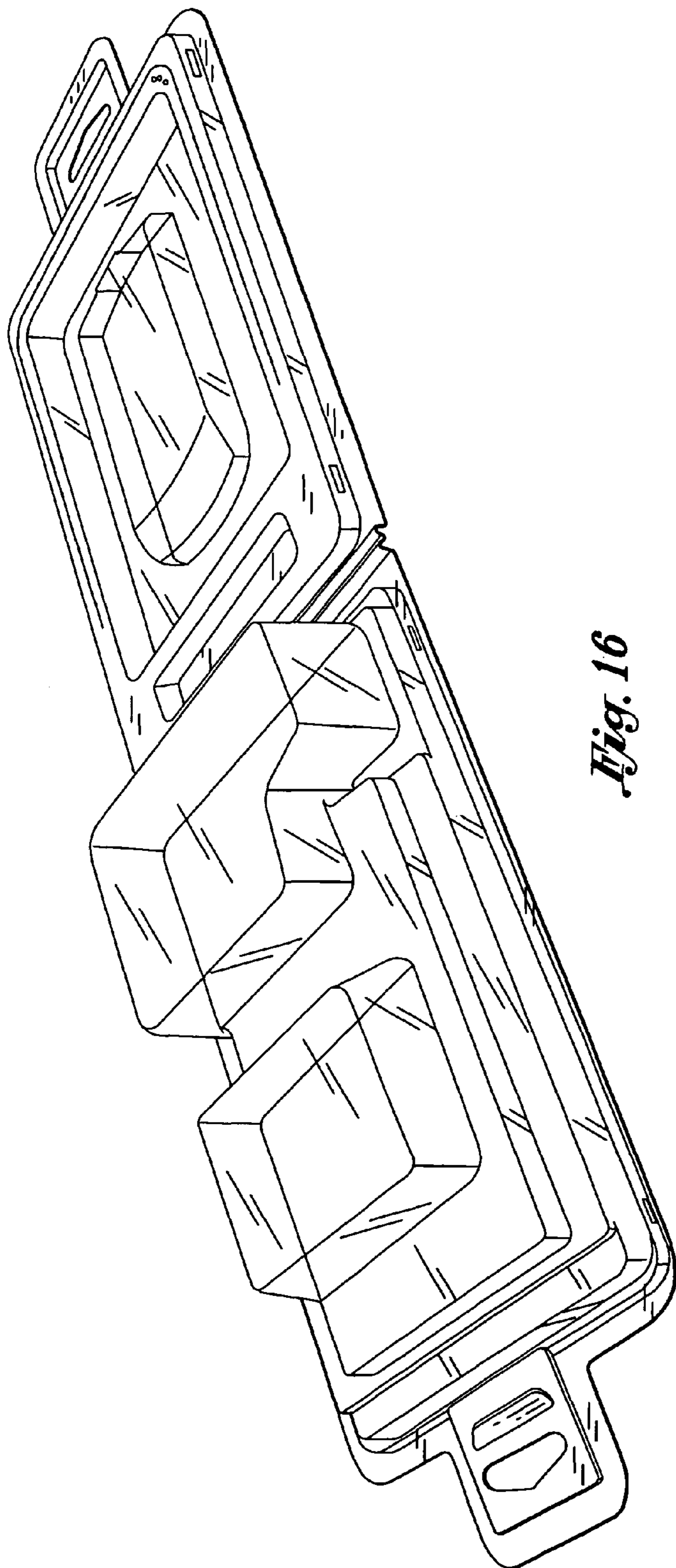


Fig. 16

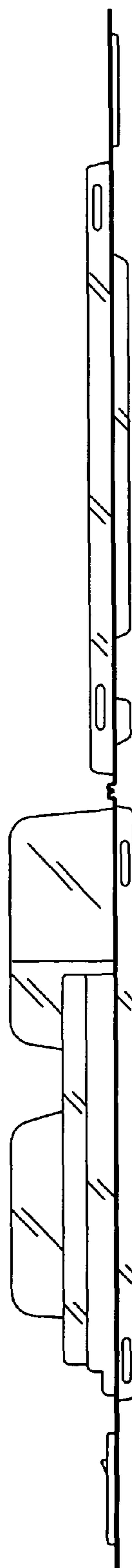


Fig. 17

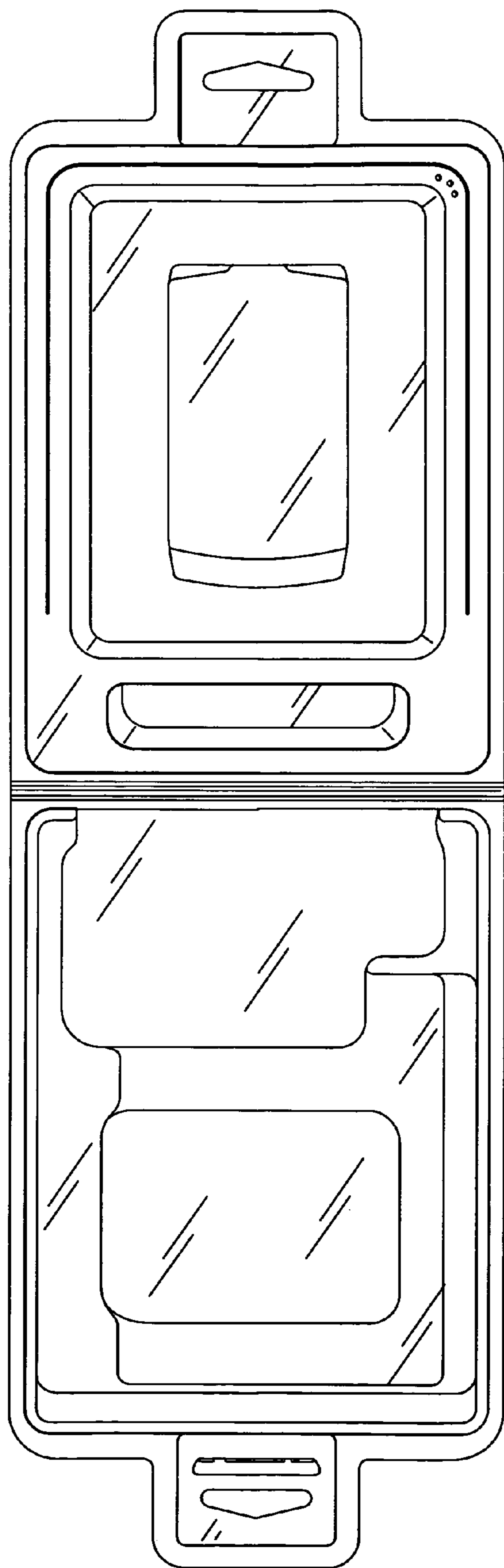


Fig. 18

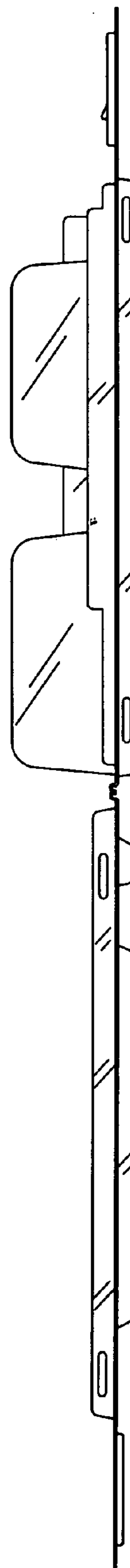


Fig. 19

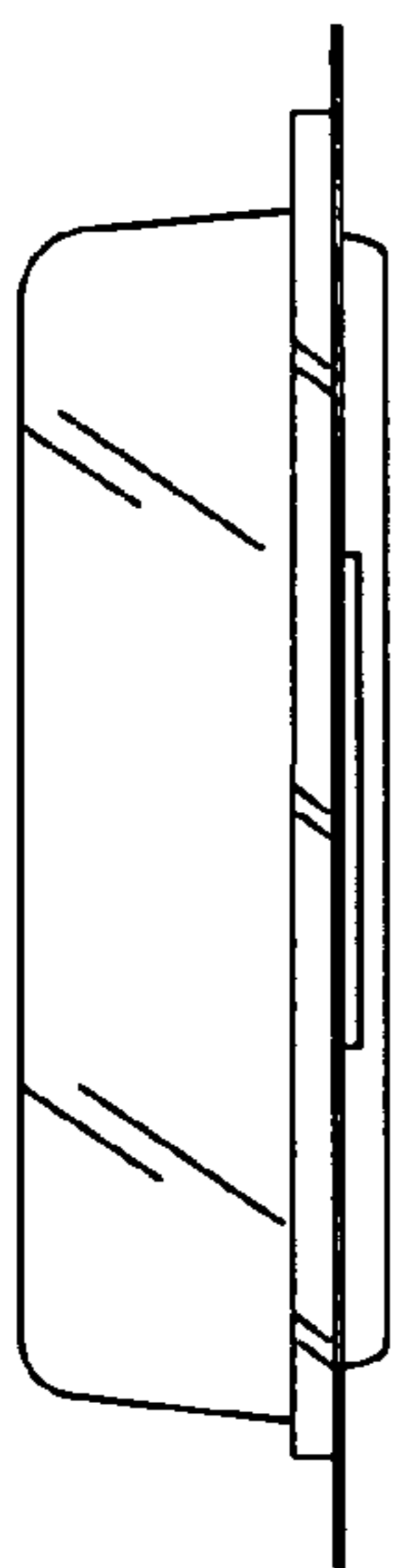


Fig. 20

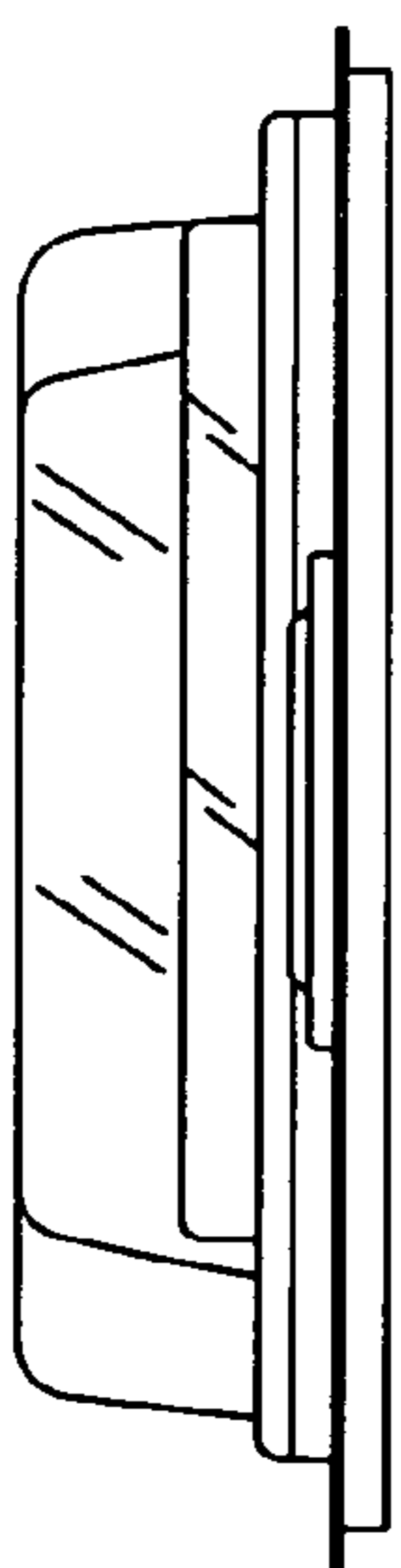


Fig. 21

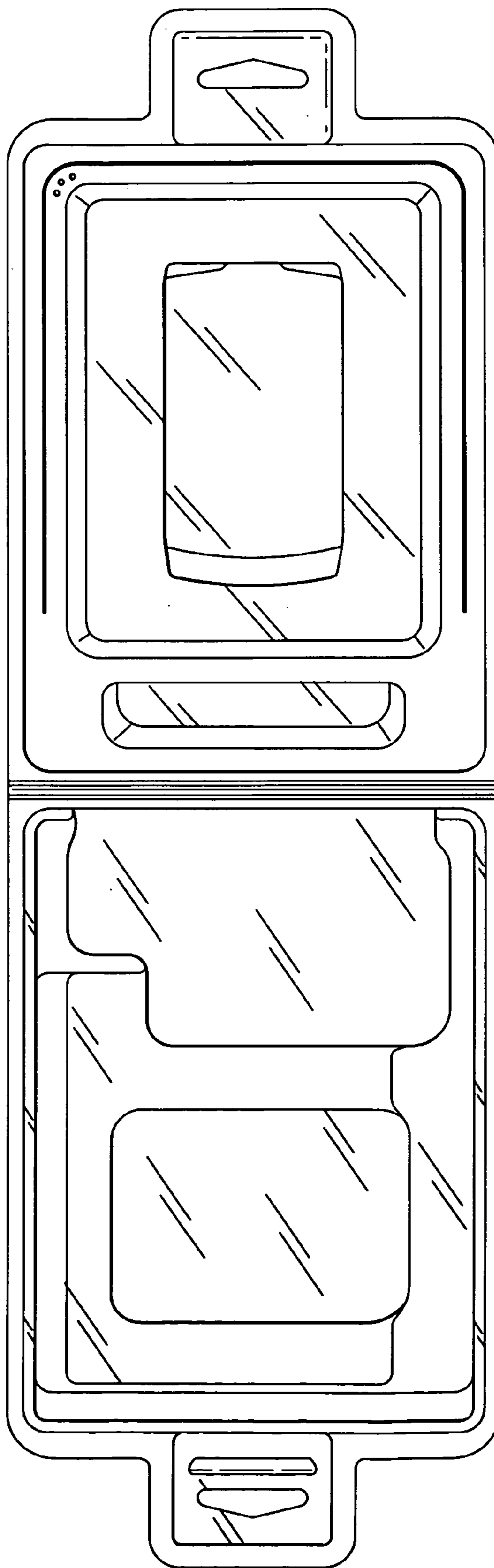


Fig. 22