



US00D625597S

(12) **United States Design Patent**
Wichowski

(10) **Patent No.:** **US D625,597 S**

(45) **Date of Patent:** **** Oct. 19, 2010**

(54) **LIDDED CONTAINER**

(75) Inventor: **Artur Wichowski**, Gerlafinger/So (CH)

(73) Assignee: **Hoffman Neopac AG**, Bern (CH)

(**) Term: **14 Years**

(21) Appl. No.: **29/356,323**

(22) Filed: **Feb. 24, 2010**

(51) **LOC (9) Cl.** **09-03**

(52) **U.S. Cl.** **D9/420**

(58) **Field of Classification Search** 222/173,
222/180; 221/26, 33, 45, 63, 282-284; 206/225,
206/233, 389, 391, 409, 494, 812, 824; 211/13.1,
211/45; 224/925; 242/570, 590; 248/309.1,
248/309.2, 905; D12/17, 19; D3/273, 294,
D3/318; D9/420-423, 549, 734; D6/512,
D6/515-523

See application file for complete search history.

(56) **References Cited**

U.S. PATENT DOCUMENTS

- D448,295 S * 9/2001 Mozes D9/440
- D448,668 S * 10/2001 Baerenwald et al. D9/449
- D456,713 S * 5/2002 Bried et al. D9/449
- D462,613 S * 9/2002 Bried et al. D9/428
- D464,886 S * 10/2002 Bried et al. D9/504

- D467,801 S * 12/2002 Baerenwald et al. D9/432
- D474,402 S * 5/2003 Baerenwald D9/420
- D609,855 S * 2/2010 Patel et al. D27/189

* cited by examiner

Primary Examiner—Daniel D Bui

Assistant Examiner—Thomas J Johannes

(74) *Attorney, Agent, or Firm*—Gifford, Krass, Sprinkle,
Anderson & Citkowski, P.C.

(57) **CLAIM**

I claim the ornamental design for a lidded container, as shown and described.

DESCRIPTION

FIG. 1 is a perspective view of a lidded container, showing my new design, in a closed position;

FIG. 2 is a perspective view thereof, in an opened position;

FIG. 3 is a top view thereof, in a closed position;

FIG. 4 is a top view thereof, in an open position;

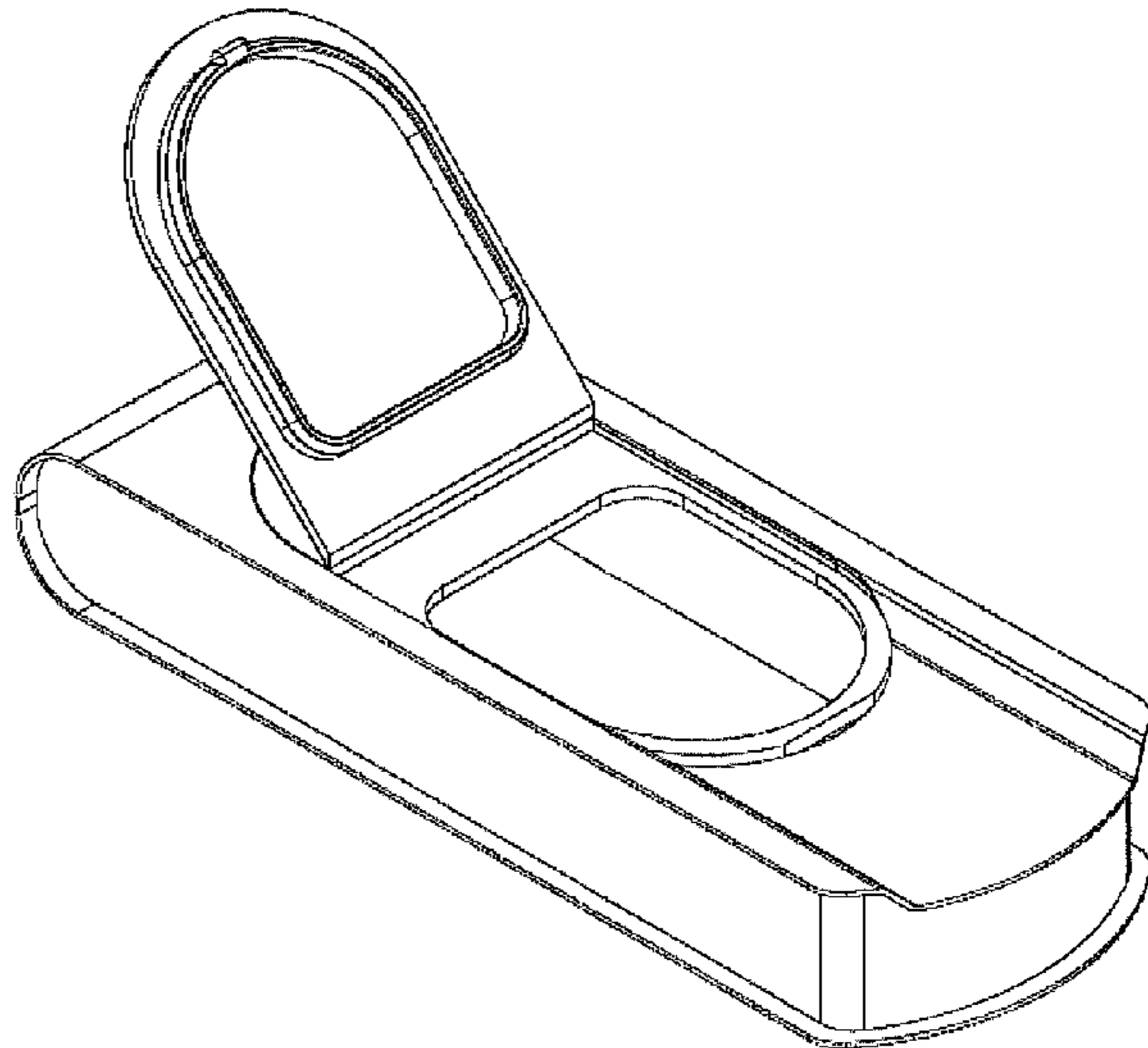
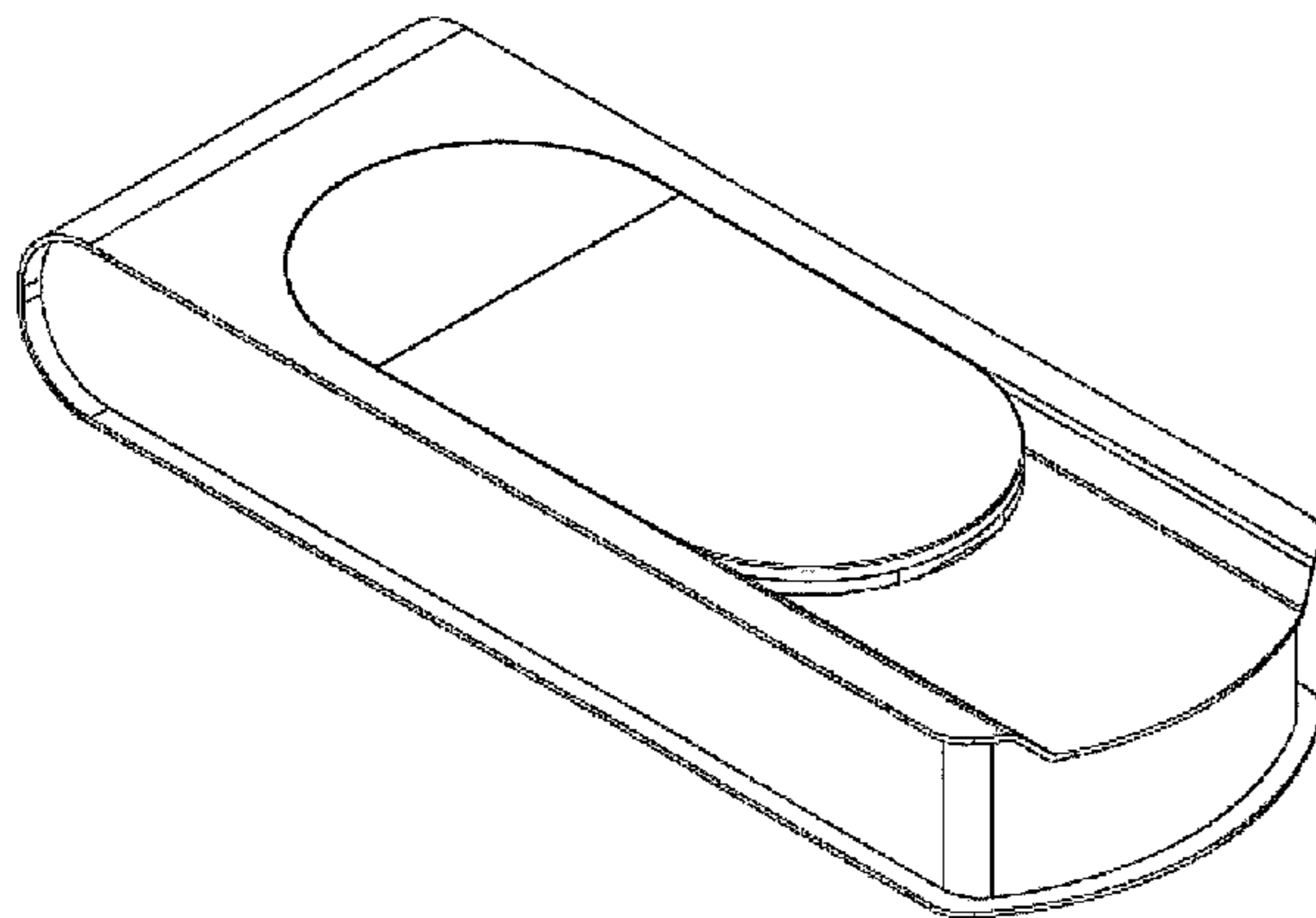
FIG. 5 is a front view thereof;

FIG. 6 is a back view thereof;

FIG. 7 is a left side view thereof; the right side view being a mirror image thereto; and,

FIG. 8 is a bottom view thereof.

1 Claim, 5 Drawing Sheets



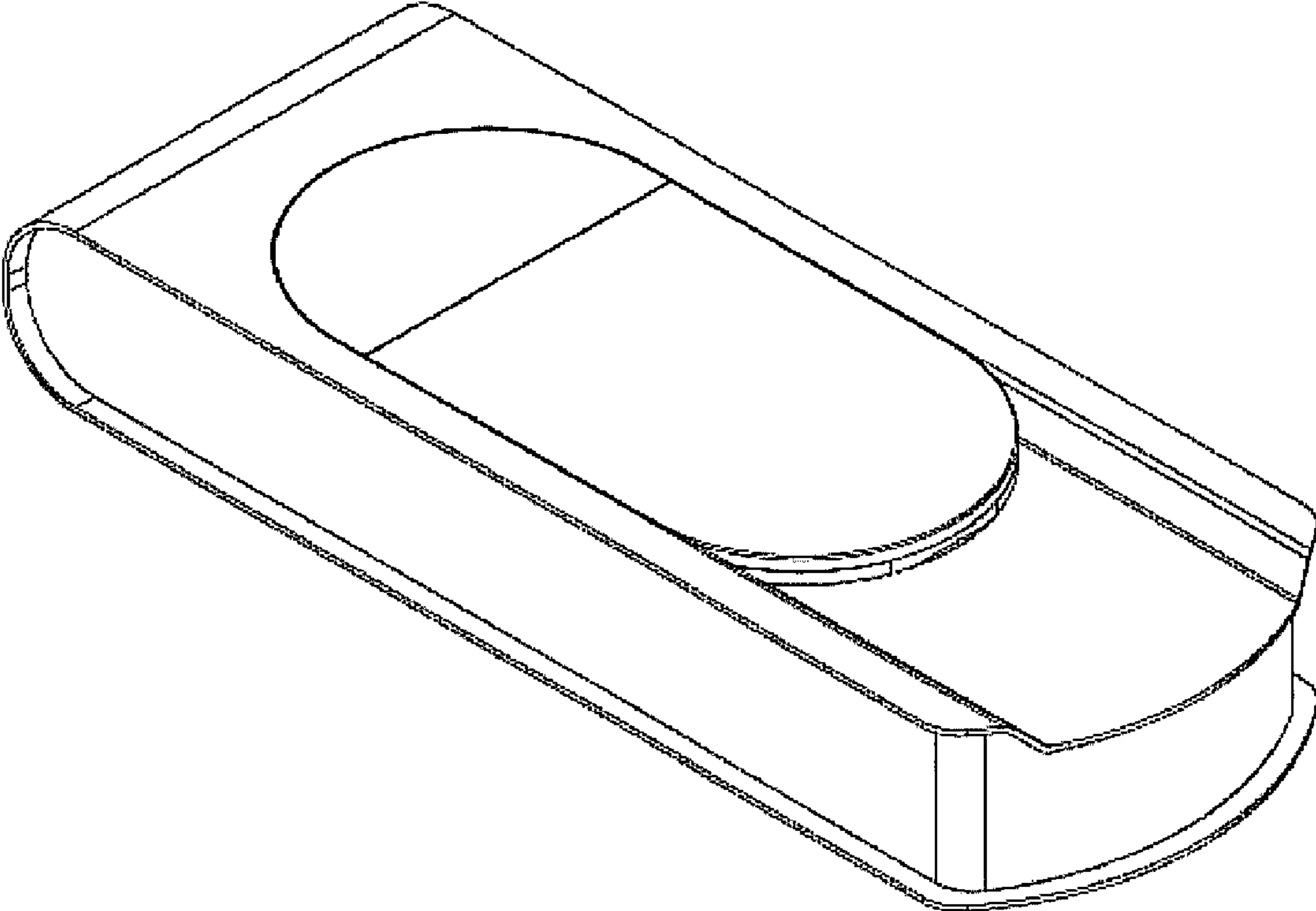


FIG. 1

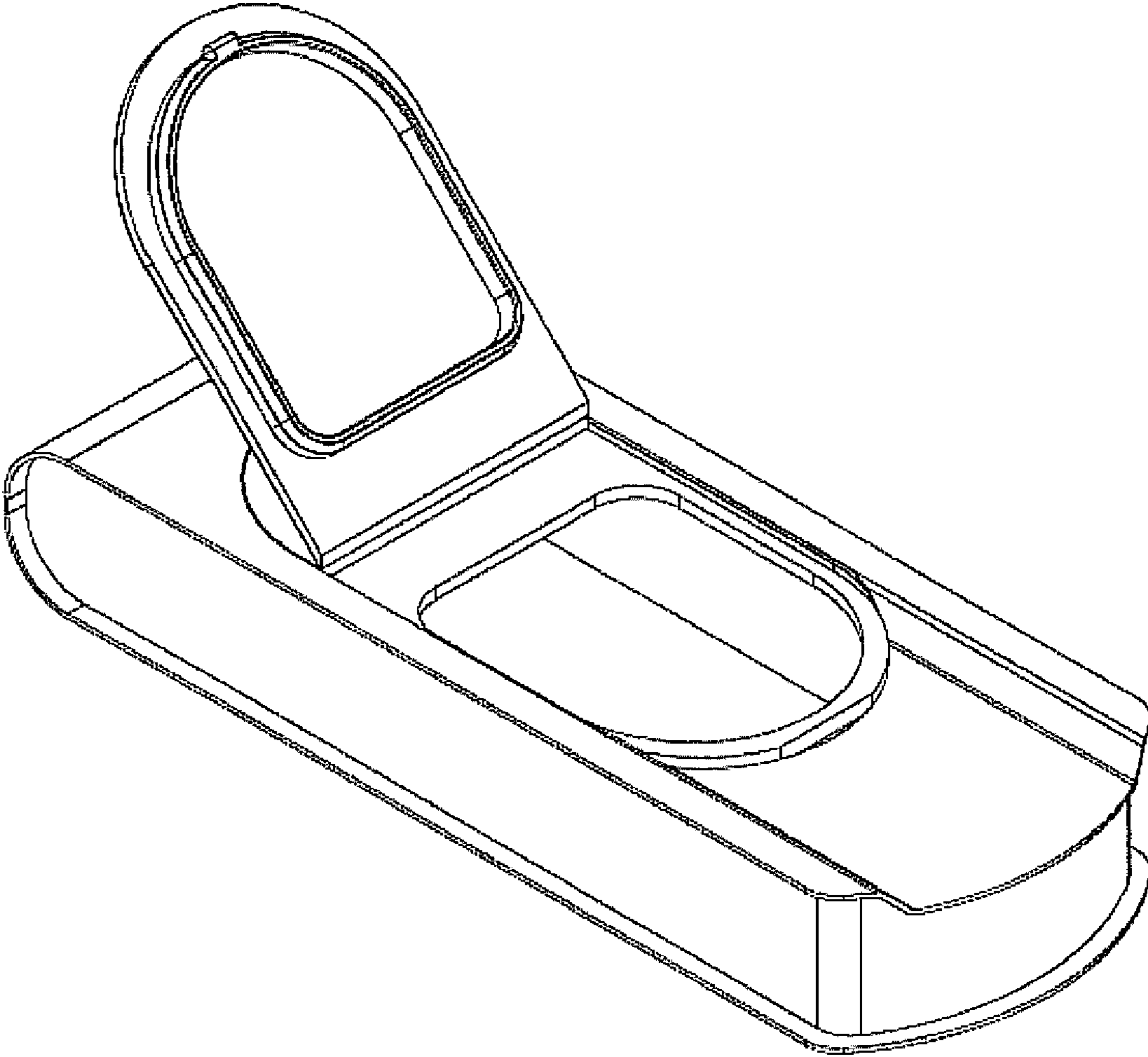


FIG. 2

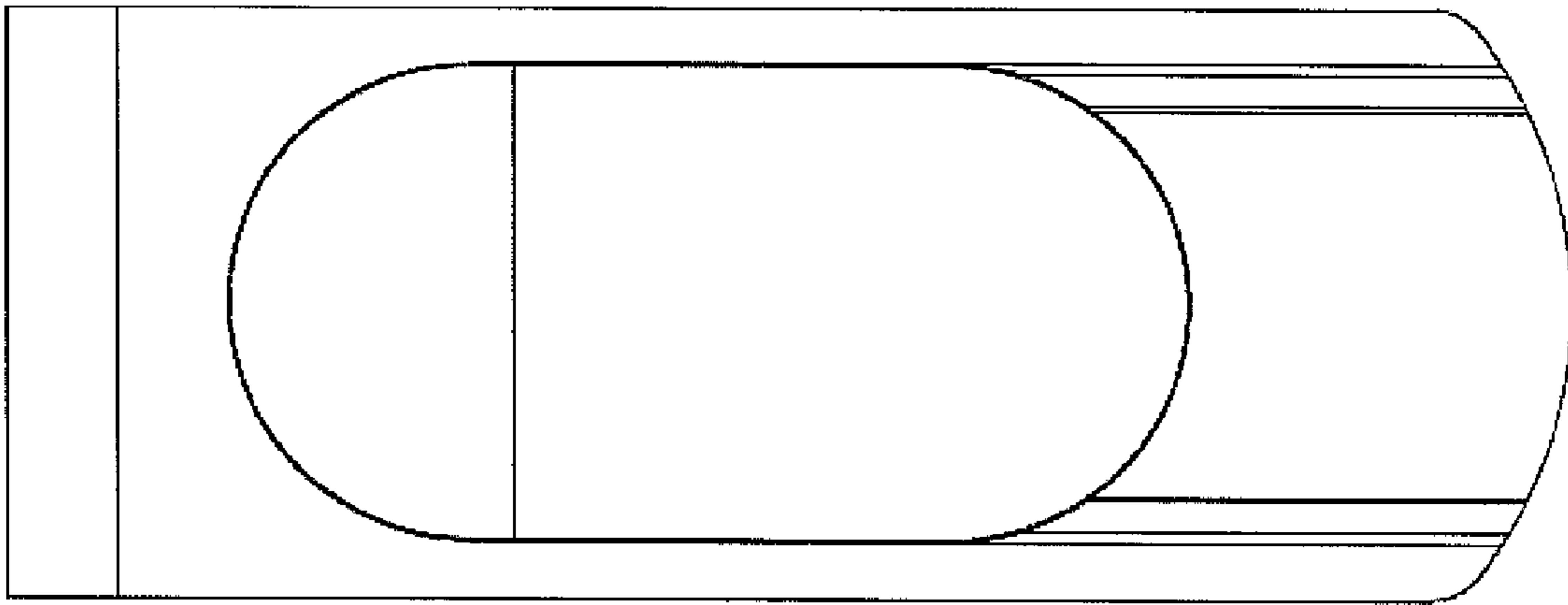


FIG. 3

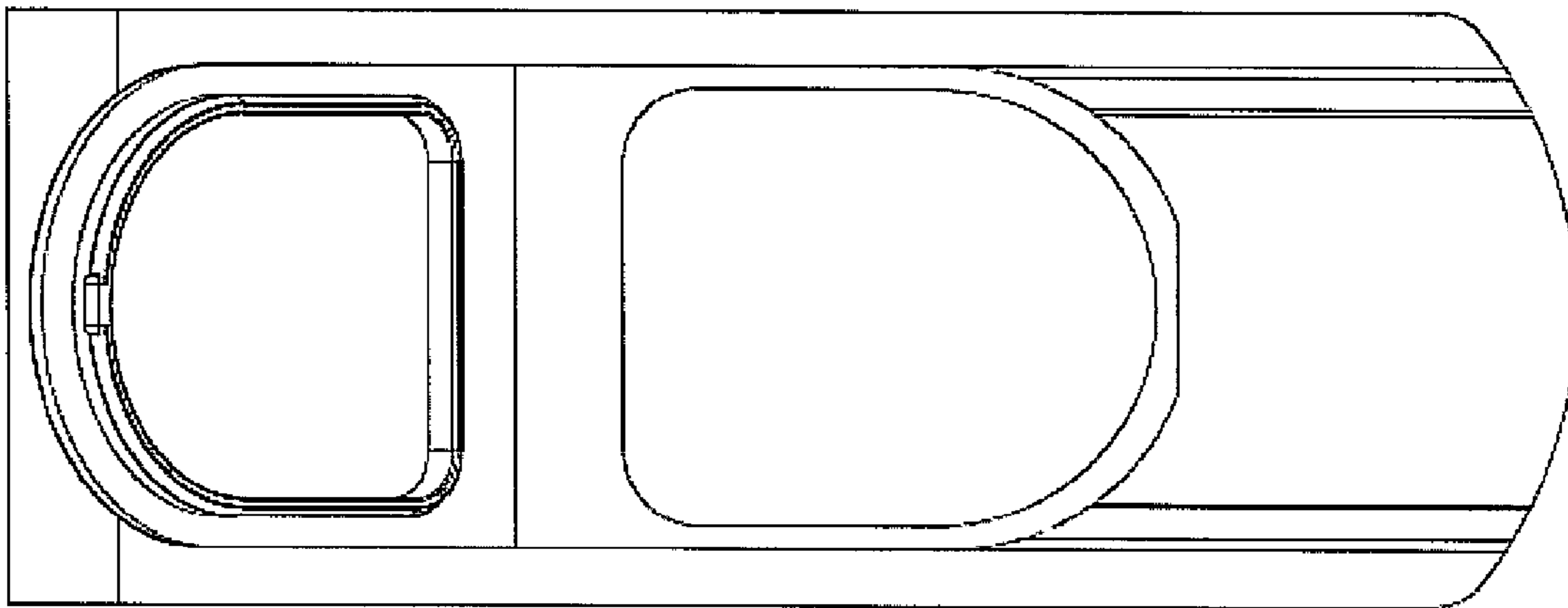


FIG. 4

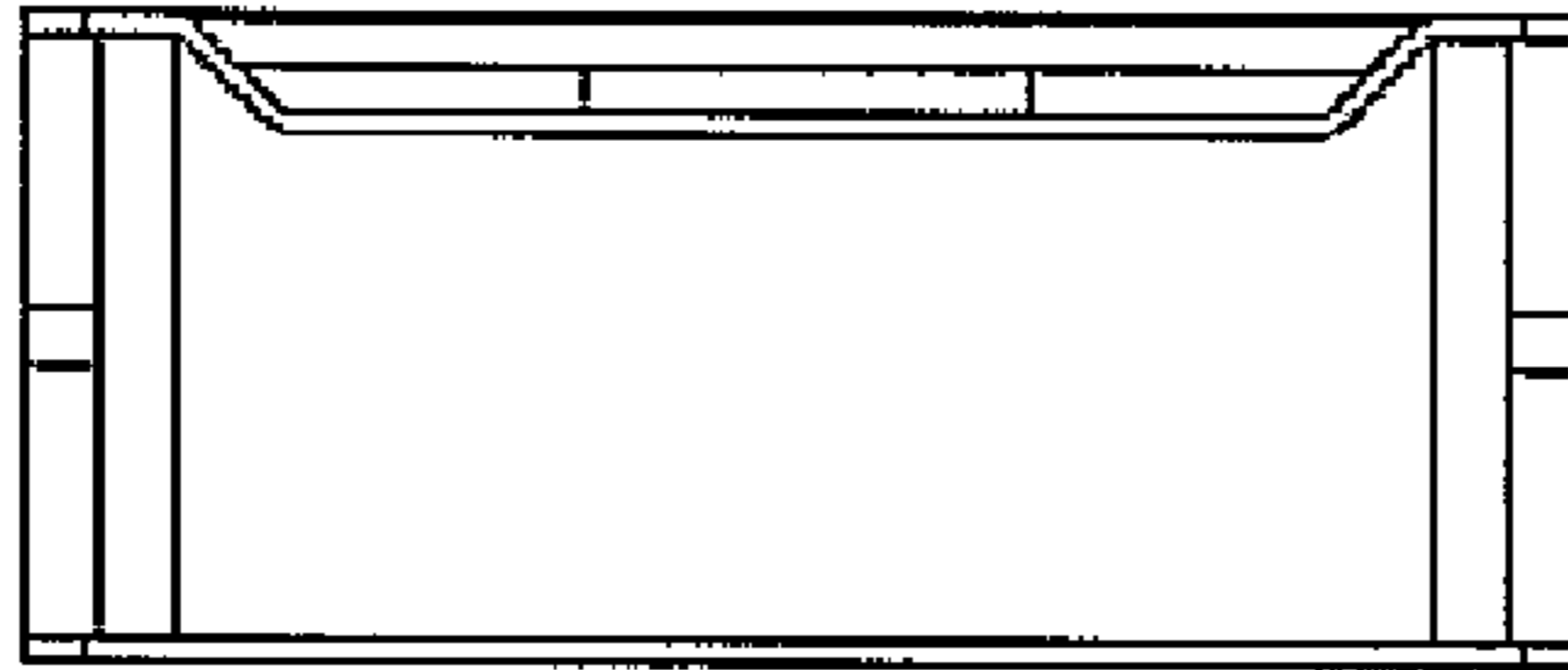


FIG. 5

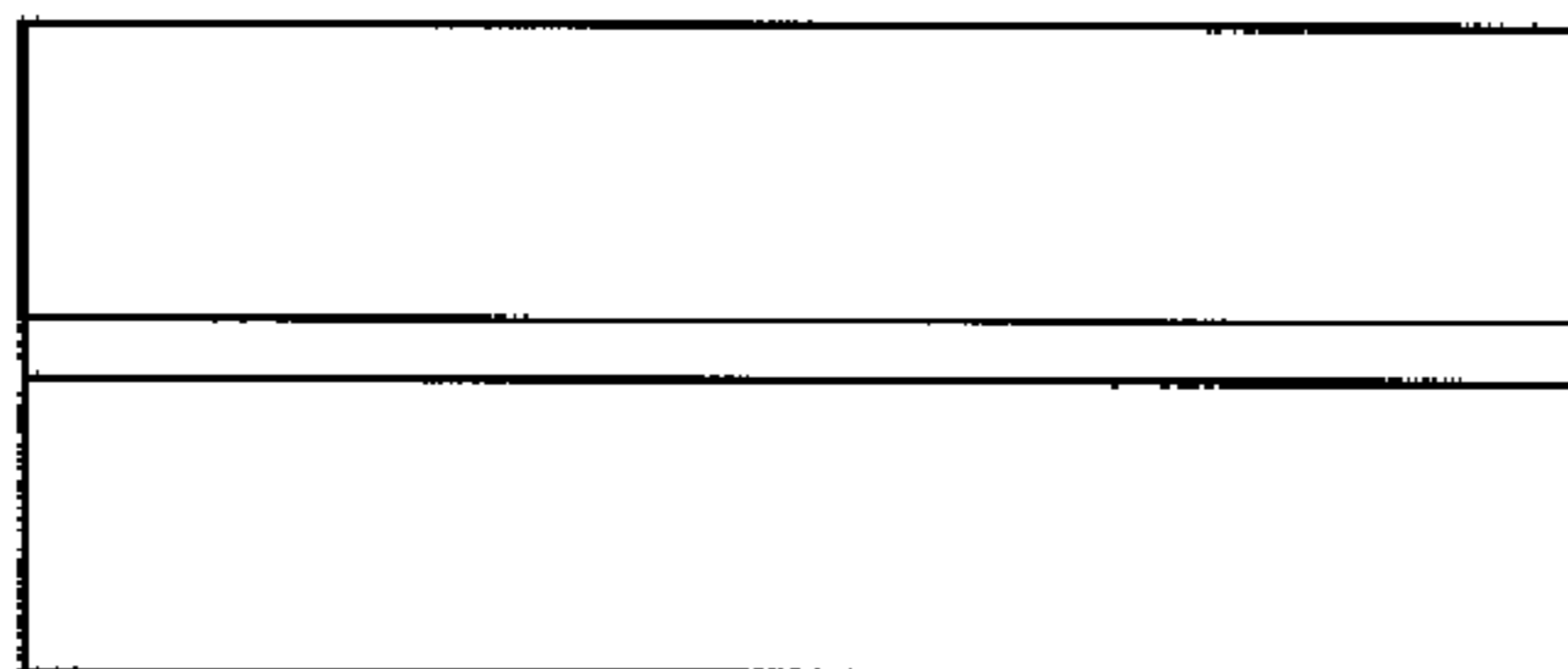


FIG. 6

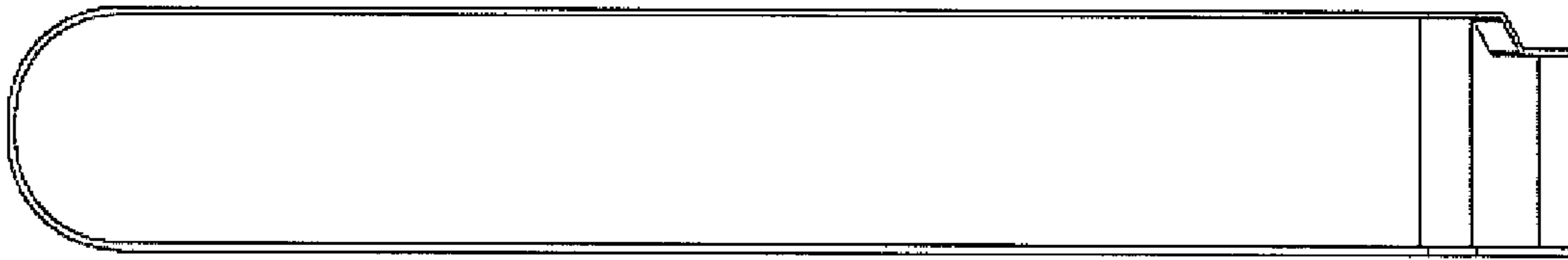


FIG. 7

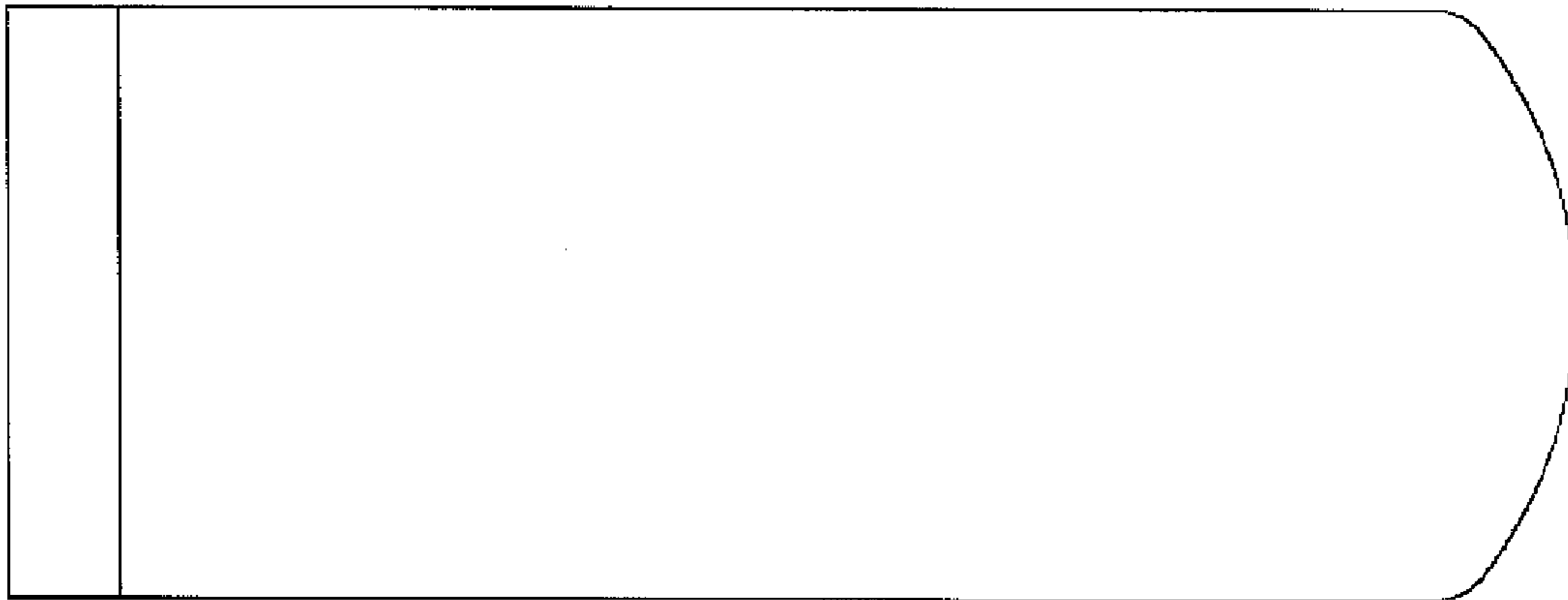


FIG. 8