



US00D625596S

(12) **United States Design Patent**
Park et al.

(10) **Patent No.:** **US D625,596 S**

(45) **Date of Patent:** **** Oct. 19, 2010**

(54) **FURNITURE BUMPER**

(75) Inventors: **Hae-Dong Park**, Gyeonggi-do (KR);
In-Hwan Lee, Gyeonggi-do (KR)

(73) Assignee: **3M Innovative Properties Company**,
St. Paul, MN (US)

(**) Term: **14 Years**

(21) Appl. No.: **29/354,095**

(22) Filed: **Jan. 19, 2010**

(51) **LOC (9) Cl.** **08-09**

(52) **U.S. Cl.** **D8/402**

(58) **Field of Classification Search** D8/400-499,
D8/374; 16/45, 47, 18 CG, 18 R, 34; 428/68;
D6/610, 495; D25/119, 121

See application file for complete search history.

(56) **References Cited**

U.S. PATENT DOCUMENTS

1,722,660	A *	7/1929	Connelly	52/288.1
2,805,453	A *	9/1957	Petronello et al.	49/490.1
3,271,787	A *	9/1966	Clary	52/716.2
3,725,188	A *	4/1973	Kalt	428/172
D244,166	S *	5/1977	Wittenberg	D25/119
4,153,230	A *	5/1979	Giacin	248/345.1
5,149,575	A *	9/1992	Soifer	428/188
D411,739	S *	6/1999	Havens	D8/403

D431,772	S *	10/2000	Tsui	D8/403
6,135,581	A *	10/2000	Kopp et al.	312/140.3
6,360,503	B1 *	3/2002	Koenig, Jr.	52/287.1
D571,932	S *	6/2008	Van Camp et al.	D25/119

* cited by examiner

Primary Examiner—Cathron C Brooks

Assistant Examiner—Barbara Fox

(74) *Attorney, Agent, or Firm*—David B. Patchett

(57) **CLAIM**

The ornamental design for a furniture bumper, as shown and described.

DESCRIPTION

FIG. 1 is a perspective view showing the new design for a furniture bumper;

FIG. 2 is a front view thereof;

FIG. 3 is a back view thereof;

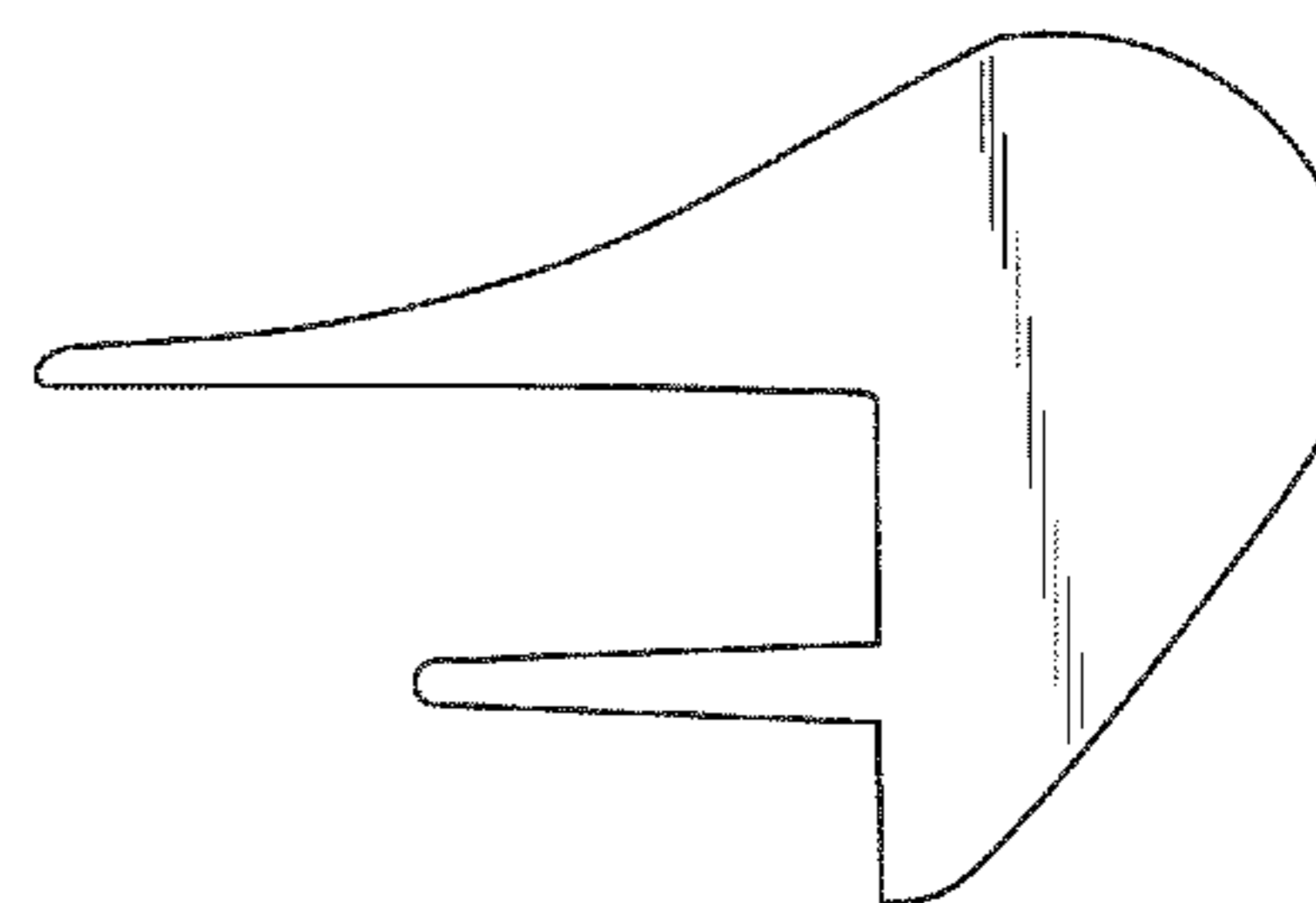
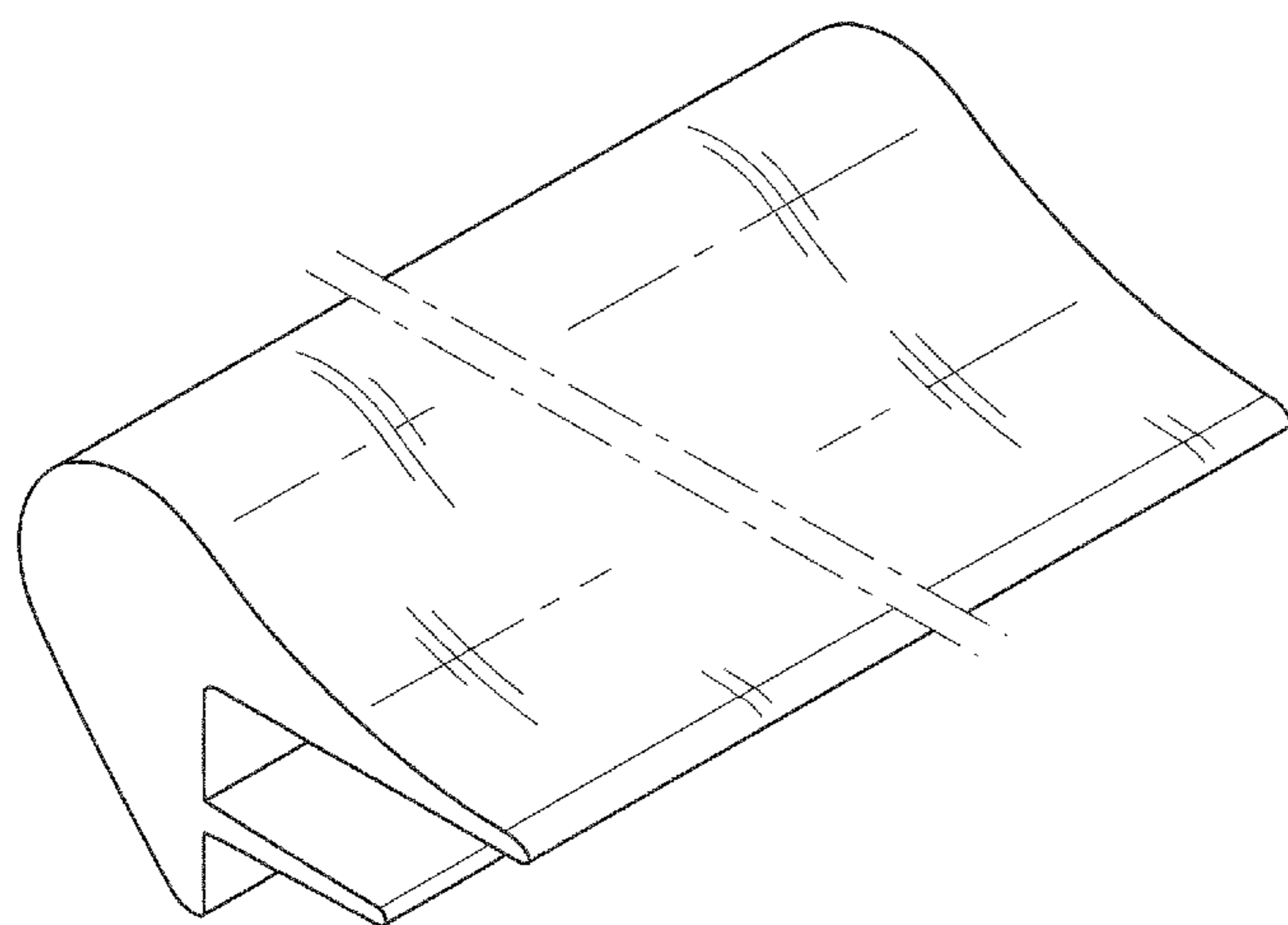
FIG. 4 is a right side view, the left side view being a mirror image of the right side view shown;

FIG. 5 is a top side view thereof; and,

FIG. 6 is a bottom view thereof.

The furniture bumper is shown broken apart to indicate that no specific length is claimed.

1 Claim, 2 Drawing Sheets



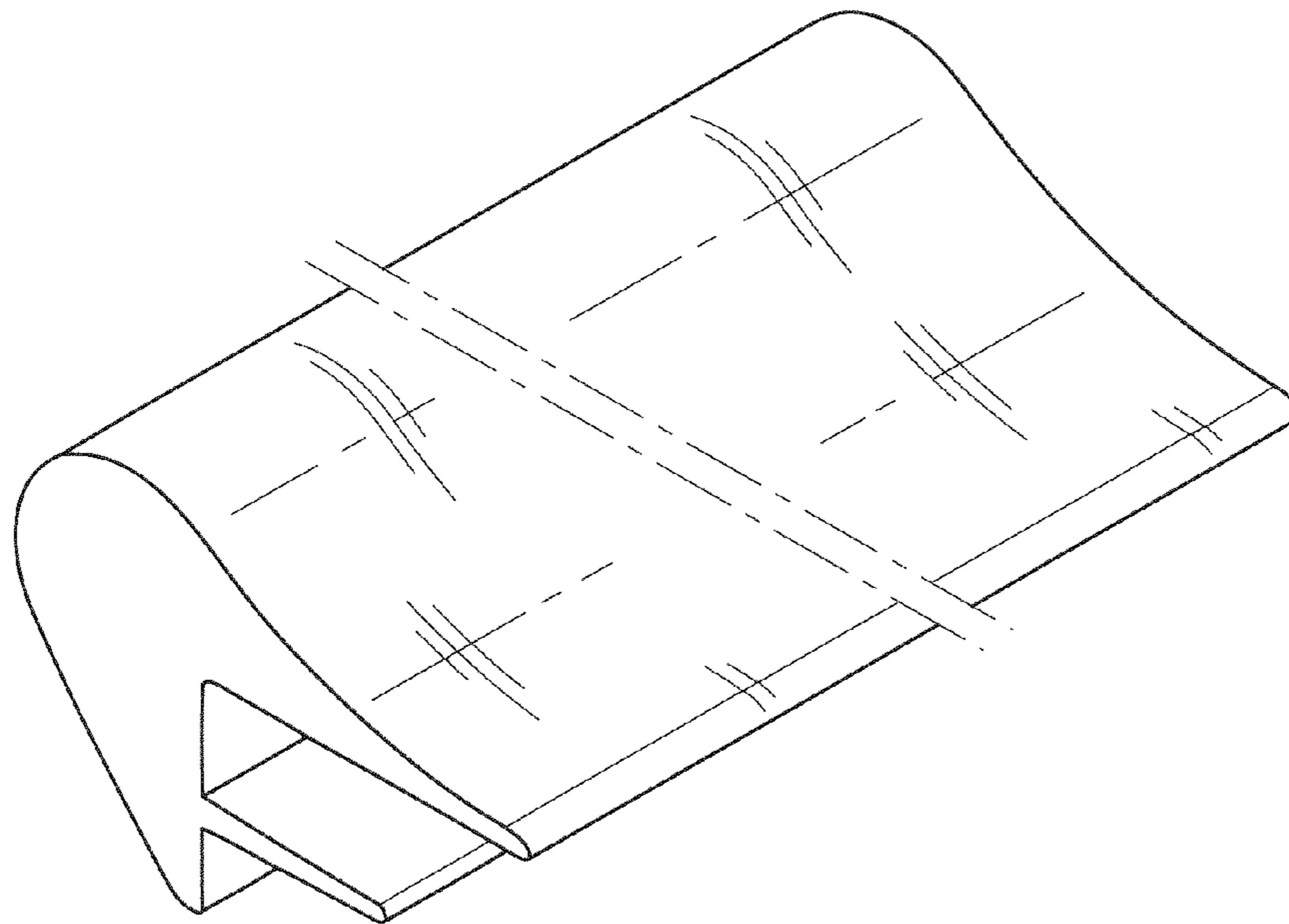


Fig. 1

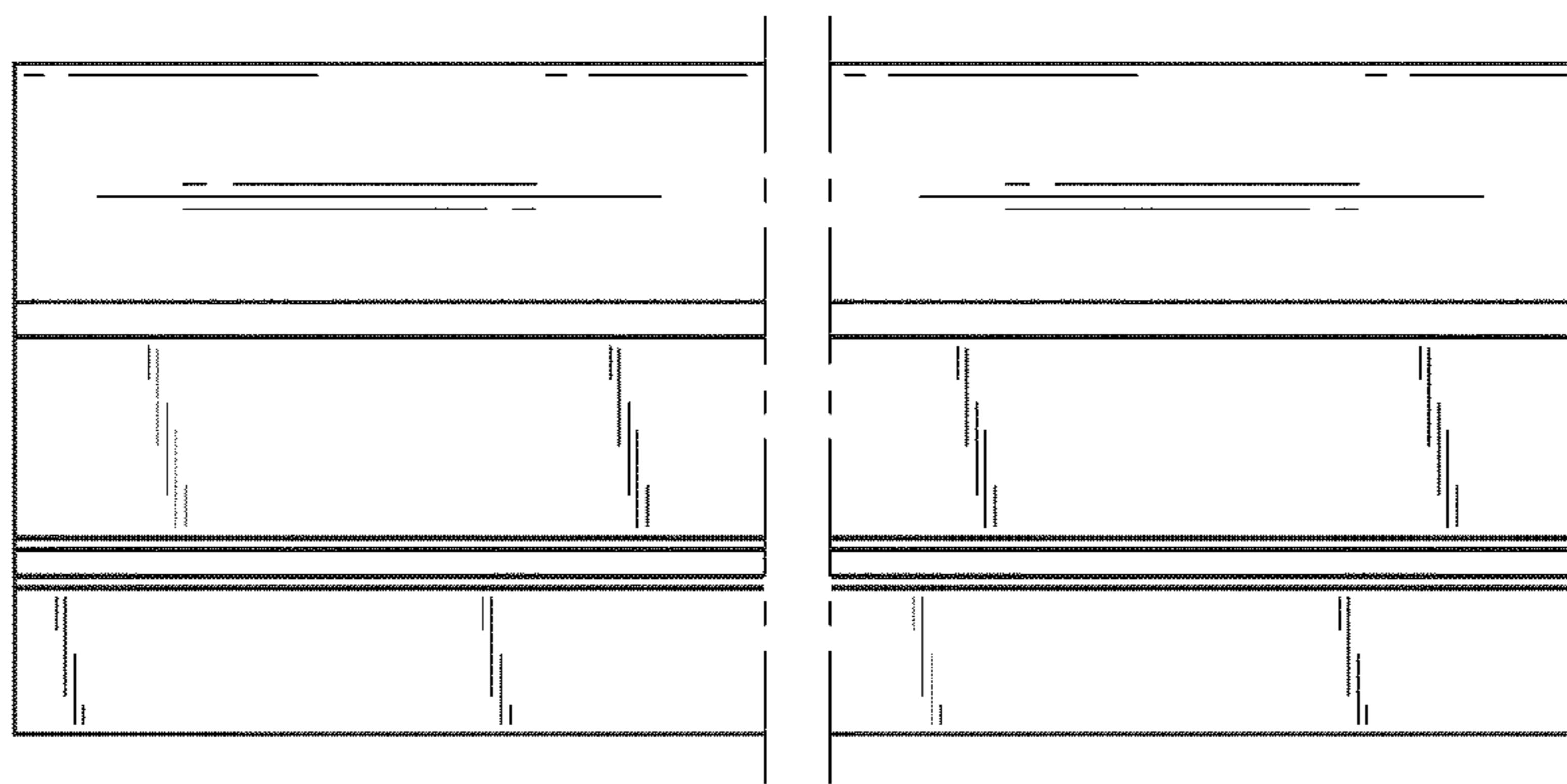


Fig. 2



Fig. 3

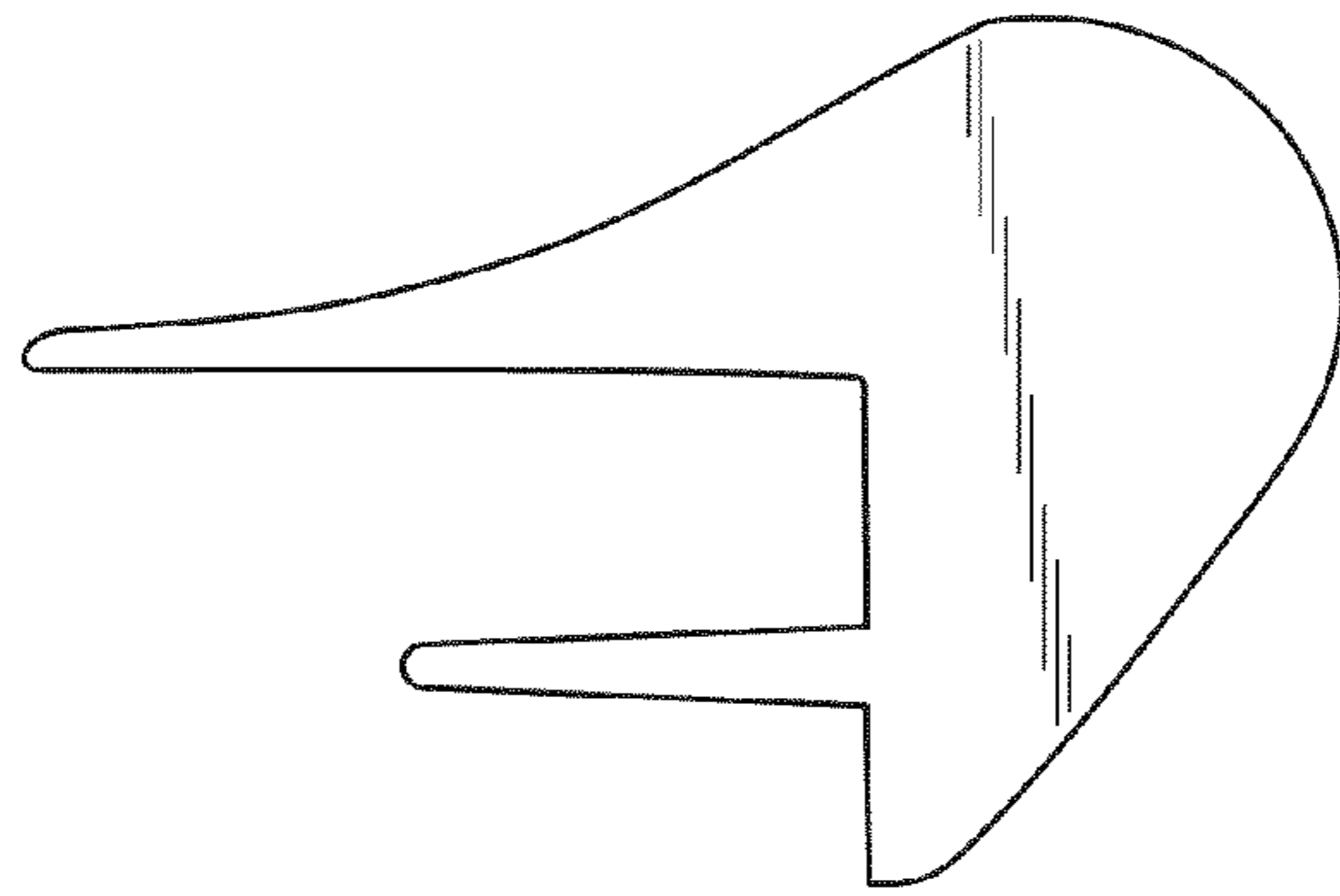


Fig. 4

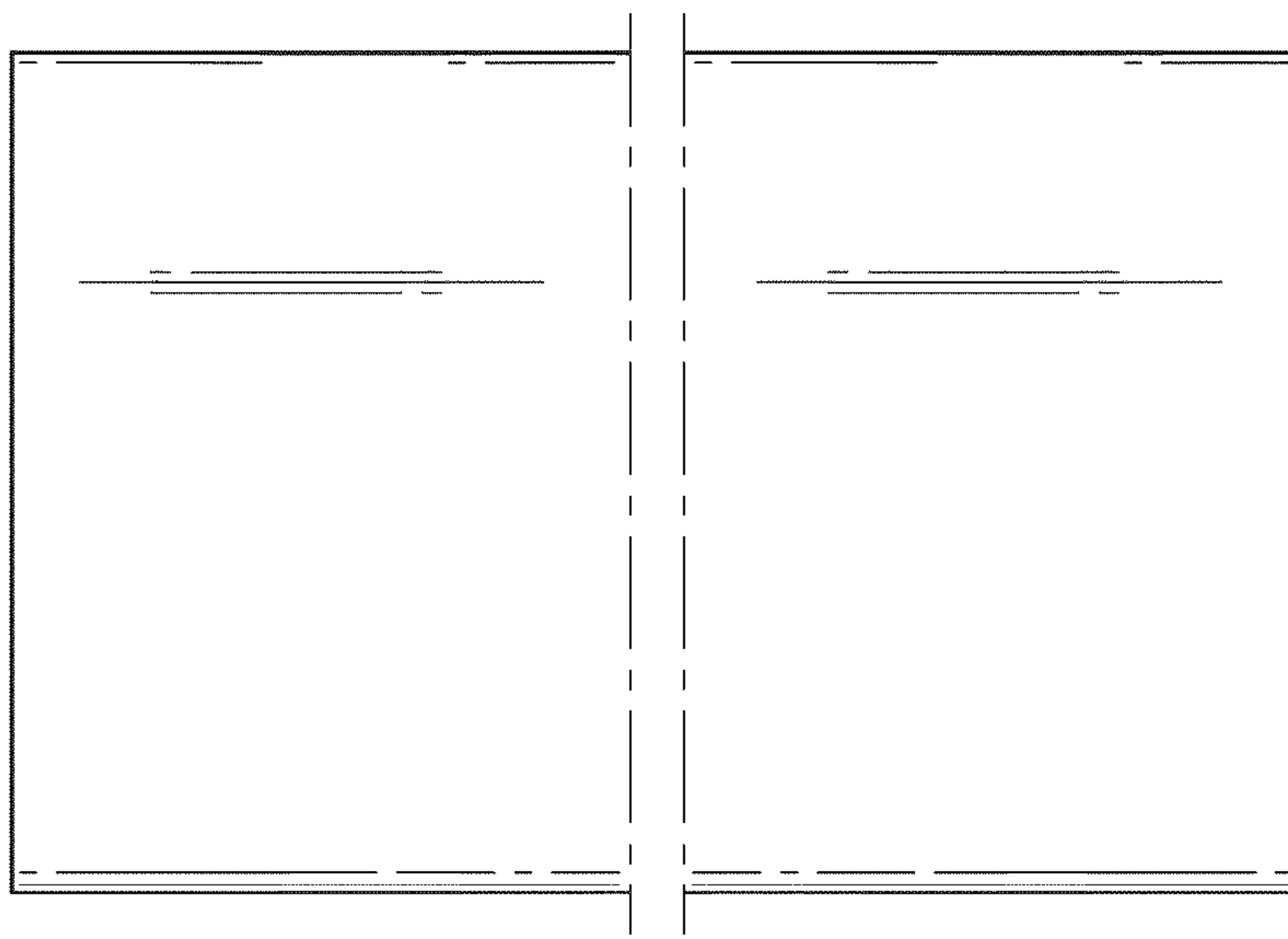


Fig. 5

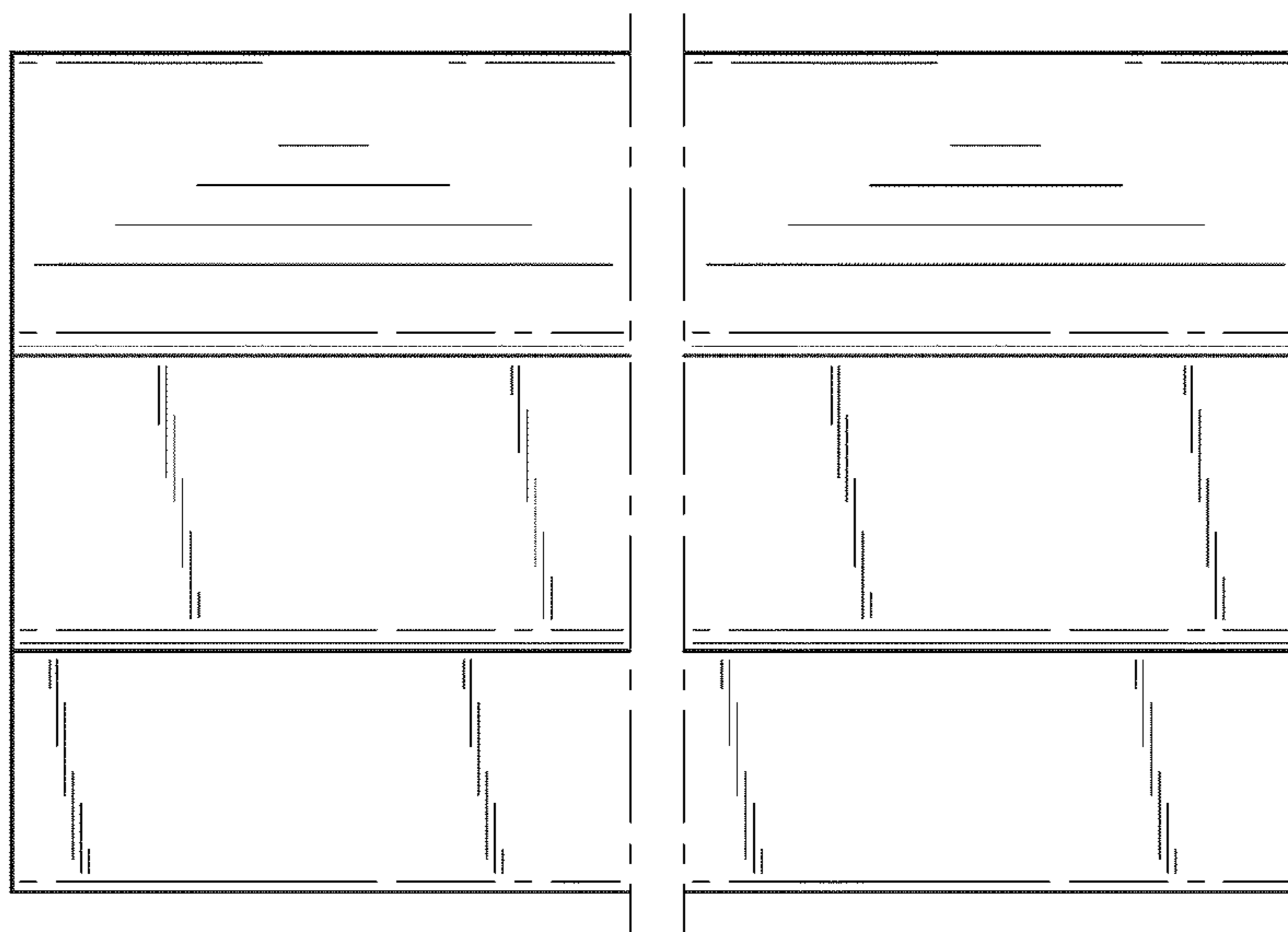


Fig. 6

UNITED STATES PATENT AND TRADEMARK OFFICE
CERTIFICATE OF CORRECTION

PATENT NO. : D625,596 S
APPLICATION NO. : 29/354095
DATED : October 19, 2010
INVENTOR(S) : Hae-Dong Park

Page 1 of 1

It is certified that error appears in the above-identified patent and that said Letters Patent is hereby corrected as shown below:

Title page

Column 1; Line 1, below "Filed: Jan. 19, 2010" insert -- Foreign Application Priority Data
Jul. 20, 2009 (KR) 30-2009-0031904 --.

Signed and Sealed this
Fifth Day of April, 2011

A handwritten signature in black ink that reads "David J. Kappos". The signature is written in a cursive style with a large initial "D" and "K".

David J. Kappos
Director of the United States Patent and Trademark Office