



US00D625595S

(12) **United States Design Patent**
Park et al.

(10) **Patent No.:** **US D625,595 S**

(45) **Date of Patent:** **** Oct. 19, 2010**

(54) **FURNITURE CORNER BUMPER**

(75) Inventors: **Hae-Dong Park**, Gyeonggi-do (KR);
In-Hwan Lee, Gyeonggi-do (KR)

(73) Assignee: **3M Innovative Properties Company**,
St. Paul, MN (US)

(**) Term: **14 Years**

(21) Appl. No.: **29/354,093**

(22) Filed: **Jan. 19, 2010**

(51) **LOC (9) Cl.** **08-09**

(52) **U.S. Cl.** **D8/402**

(58) **Field of Classification Search** D8/400-499,
D8/374; 16/45, 47, 18 CG, 18 R, 34; 428/68;
D6/610, 495

See application file for complete search history.

(56) **References Cited**

U.S. PATENT DOCUMENTS

| | | | | | |
|-----------|-----|--------|-------------------|-------|-----------|
| 1,722,660 | A * | 7/1929 | Connelly | | 52/288.1 |
| 2,805,453 | A * | 9/1957 | Petronello et al. | | 49/490.1 |
| 3,271,787 | A * | 9/1966 | Clary | | 52/716.2 |
| 3,725,188 | A * | 4/1973 | Kalt | | 428/172 |
| D244,166 | S * | 5/1977 | Wittenberg | | D25/119 |
| 4,153,230 | A * | 5/1979 | Giacin | | 248/345.1 |

| | | | | | |
|-----------|------|---------|-----------------|-------|-----------|
| 5,149,575 | A * | 9/1992 | Soifer | | 428/188 |
| D411,739 | S * | 6/1999 | Havens | | D8/403 |
| D431,772 | S * | 10/2000 | Tsui | | D8/403 |
| 6,135,581 | A * | 10/2000 | Kopp et al. | | 312/140.3 |
| 6,360,503 | B1 * | 3/2002 | Koenig, Jr. | | 52/287.1 |
| D571,932 | S * | 6/2008 | Van Camp et al. | | D25/119 |

* cited by examiner

Primary Examiner—Cathron C Brooks

Assistant Examiner—Barbara Fox

(74) *Attorney, Agent, or Firm*—David B. Patchett

(57) **CLAIM**

The ornamental design for a furniture corner bumper, as shown and described.

DESCRIPTION

FIG. 1 is a perspective view showing the new design for a furniture corner bumper;

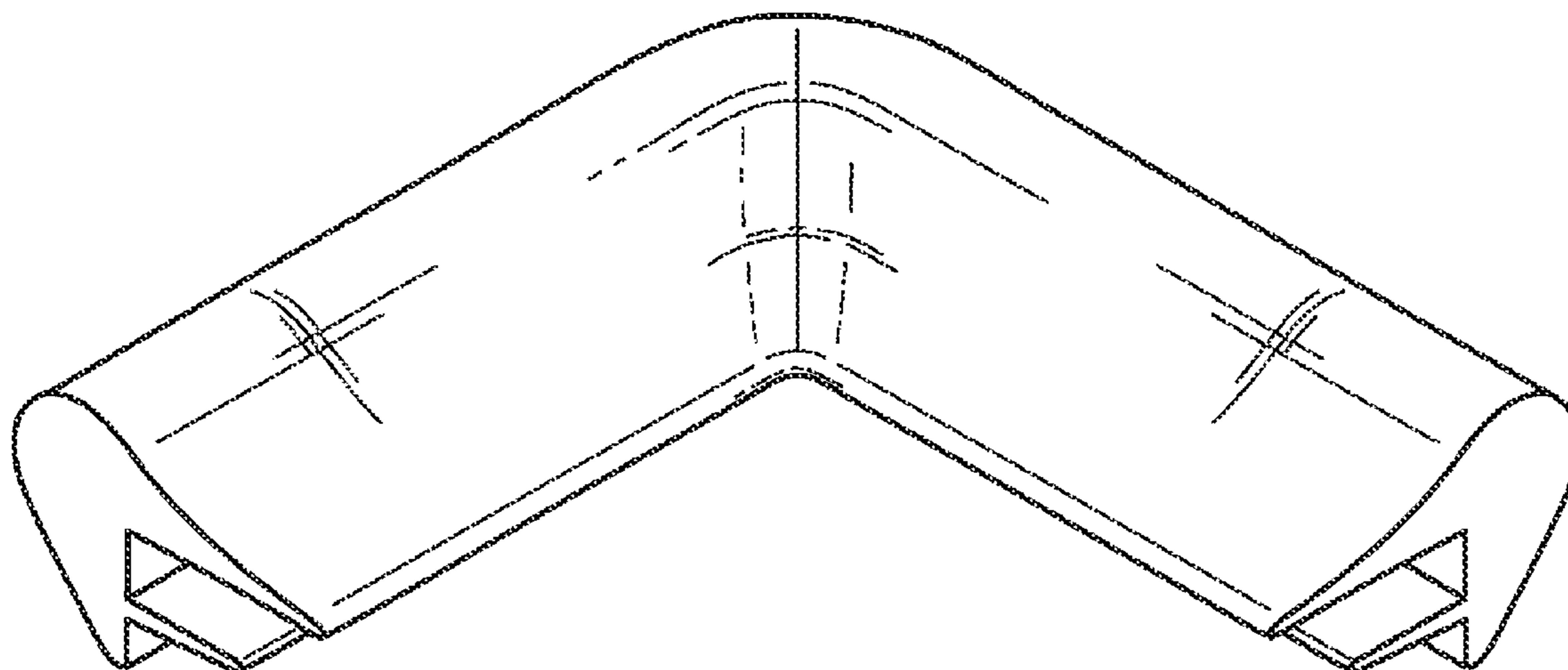
FIG. 2 is a front view thereof, the left side view being a mirror image of the front view shown;

FIG. 3 is a back view thereof, the right side view being a mirror image of the back view shown;

FIG. 4 is a top side view thereof; and,

FIG. 5 is a bottom view thereof.

1 Claim, 2 Drawing Sheets



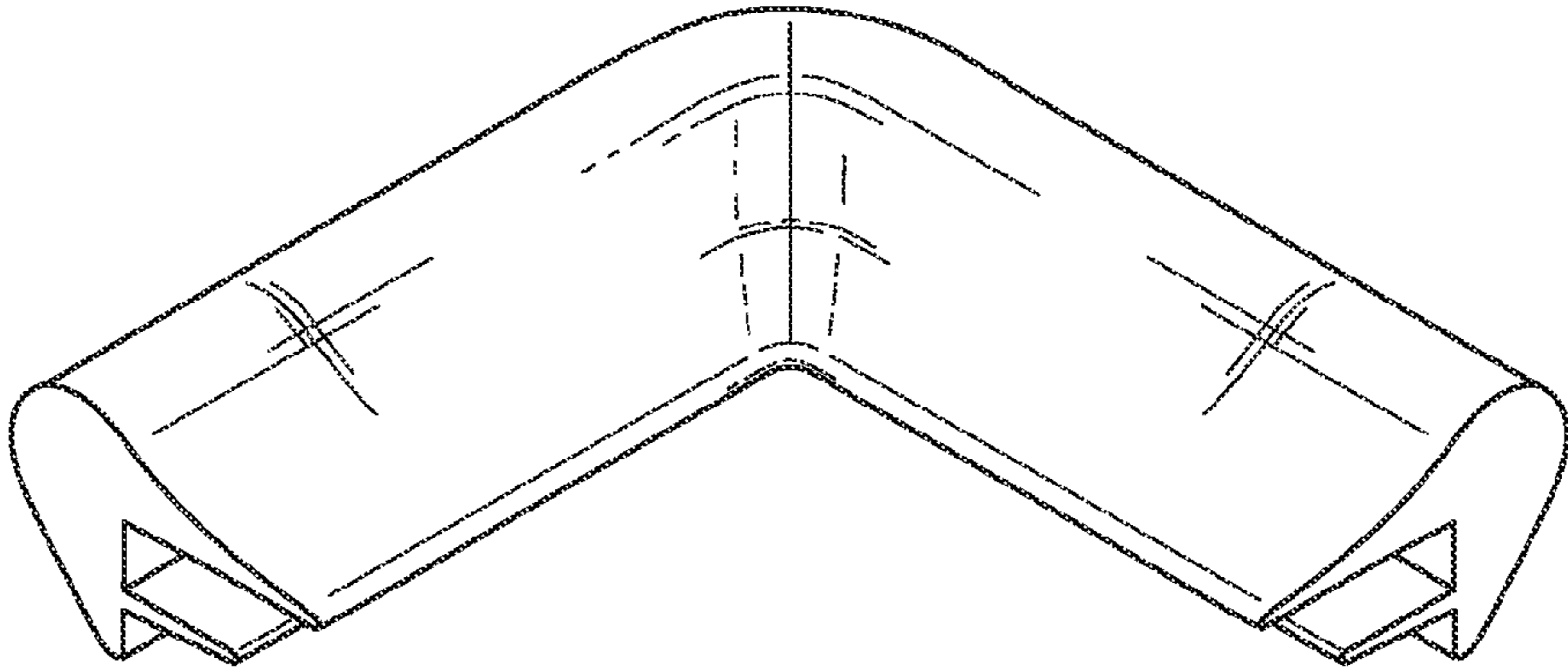


Fig. 1

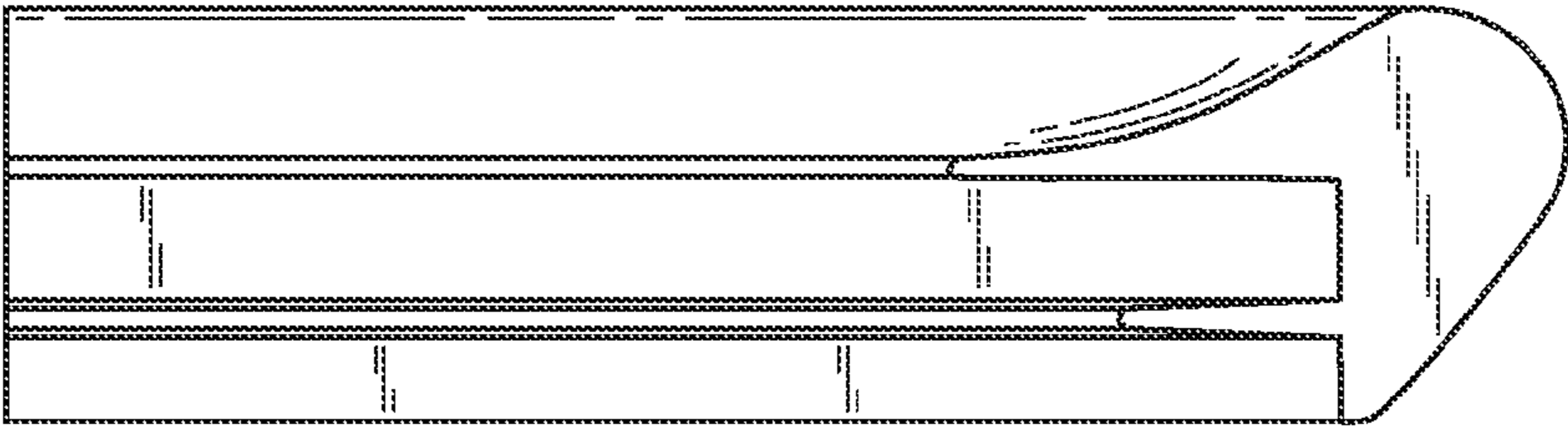


Fig. 2

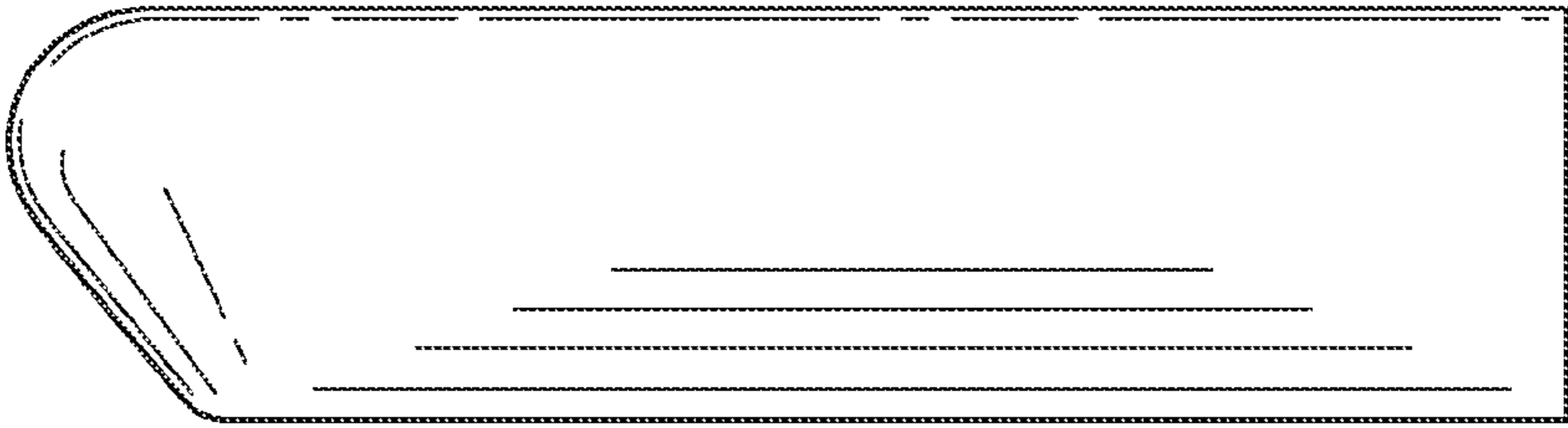
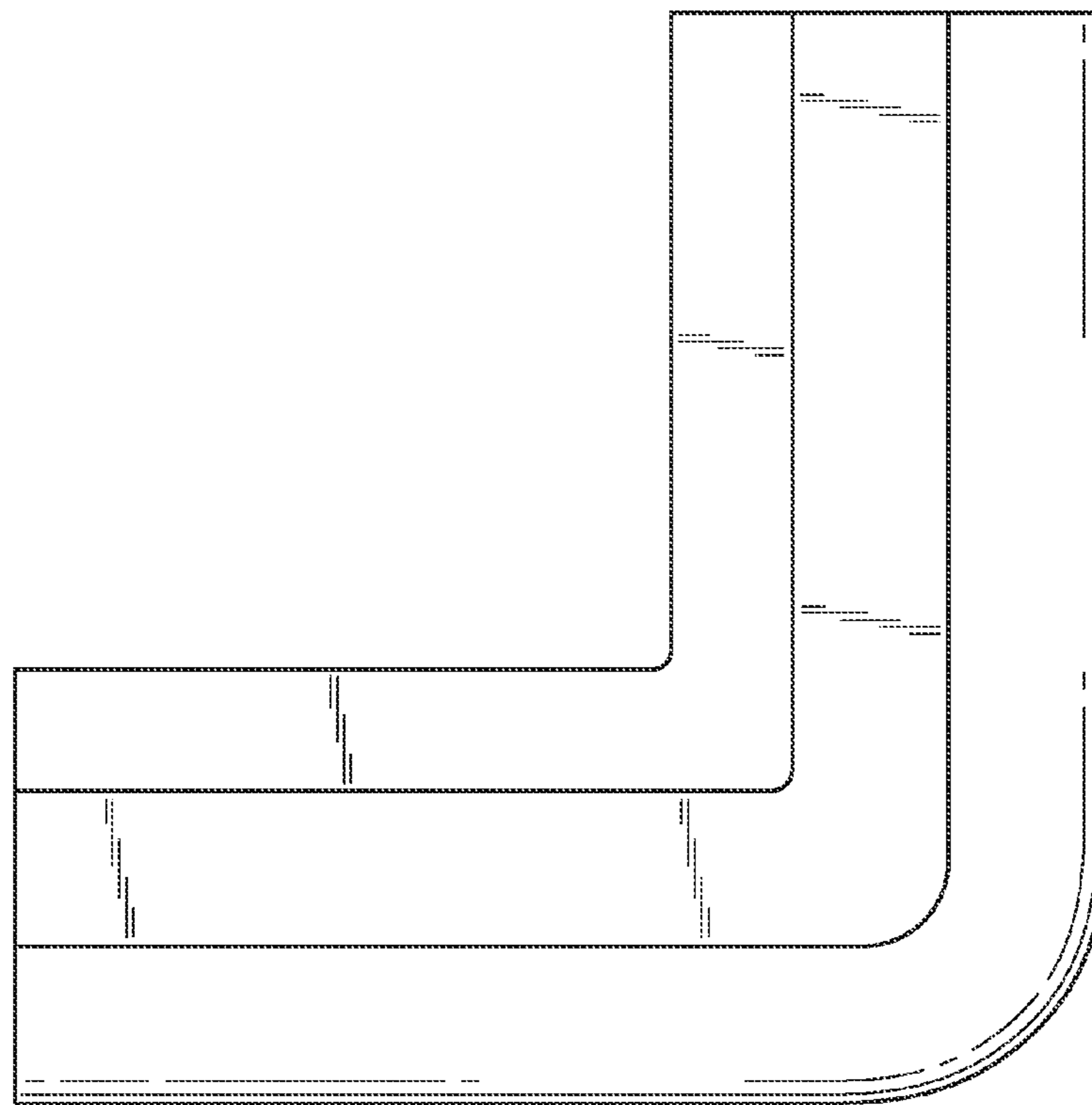
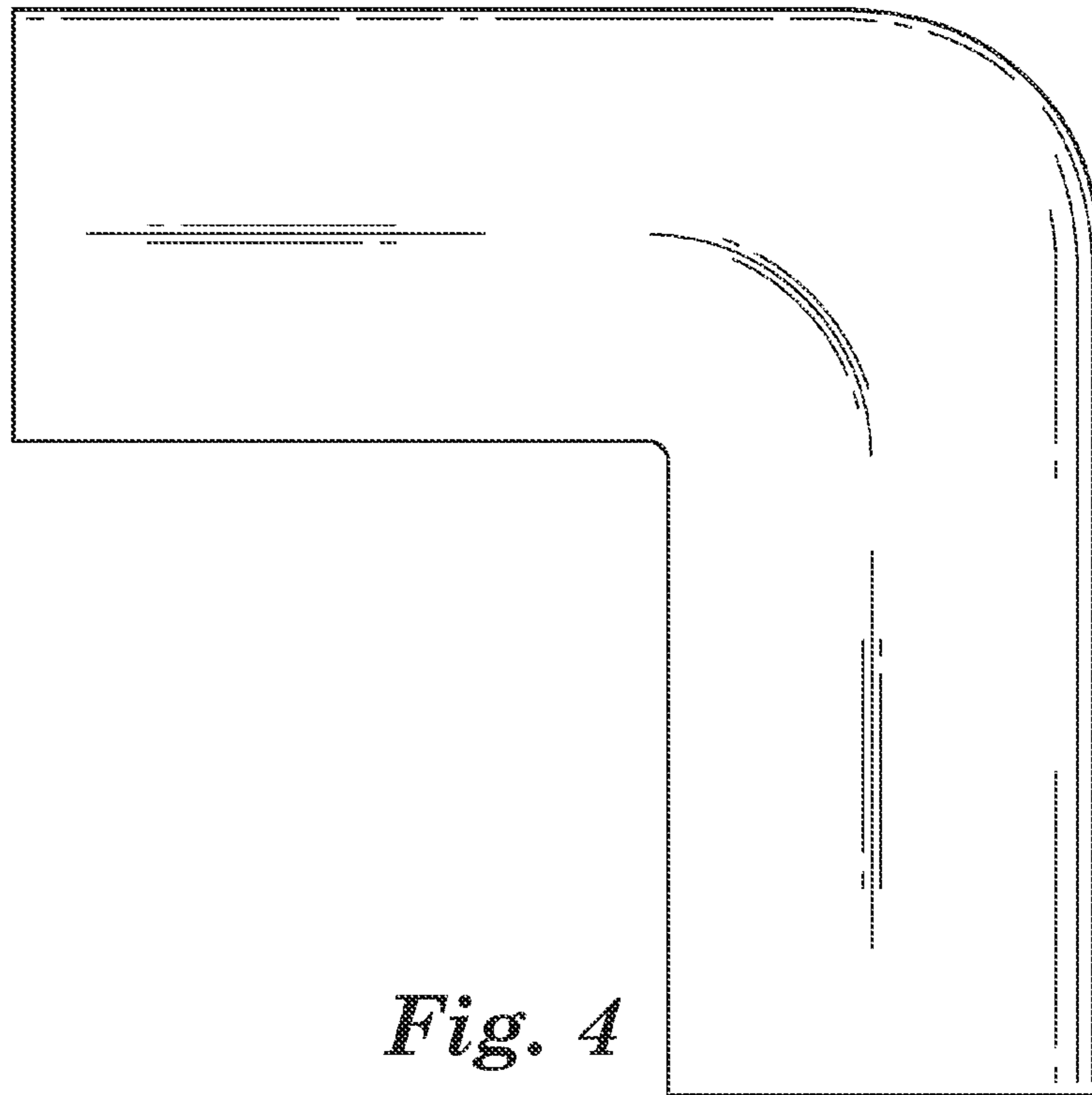


Fig. 3



UNITED STATES PATENT AND TRADEMARK OFFICE
CERTIFICATE OF CORRECTION

PATENT NO. : D625,595 S
APPLICATION NO. : 29/354093
DATED : October 19, 2010
INVENTOR(S) : Hae-Dong Park

Page 1 of 1

It is certified that error appears in the above-identified patent and that said Letters Patent is hereby corrected as shown below:

First Page

Column 1; Line 1, below "(22) Filed: Jan. 19, 2010" insert Item

-- (30) Foreign Application Priority Data Jul. 20, 2009 (KR) 30-2009-0031810 --.

Signed and Sealed this
Fifth Day of April, 2011

A handwritten signature in black ink that reads "David J. Kappos". The signature is written in a cursive, slightly slanted style.

David J. Kappos
Director of the United States Patent and Trademark Office