



US00D625593S

(12) **United States Design Patent**  
**Healy**

(10) **Patent No.:** **US D625,593 S**

(45) **Date of Patent:** **\*\* Oct. 19, 2010**

(54) **SET OF DOOR KNOCKERS**

(76) **Inventor:** **Michael Healy**, 280 Chocolog Rd.,  
Uxbridge, MA (US) 01569

(\*\*) **Term:** **14 Years**

(21) **Appl. No.:** **29/353,144**

(22) **Filed:** **Jan. 4, 2010**

(51) **LOC (9) Cl.** ..... **10-06**

(52) **U.S. Cl.** ..... **D8/401**

(58) **Field of Classification Search** ..... D8/306,  
D8/400-499; D11/132, 133, 136; 16/126,  
16/11 R; 116/155, 148, 16, 167; 446/422;  
84/402, 410; 984/DIG. 1

See application file for complete search history.

(56) **References Cited**

**U.S. PATENT DOCUMENTS**

602,573	A *	4/1898	Coggeshall	.....	116/172
D131,203	S *	1/1942	Beach	.....	D8/401
D187,580	S *	4/1960	Holden	.....	D8/401
4,004,547	A *	1/1977	Todd	.....	116/148
D245,310	S *	8/1977	Fenice	.....	D8/401
2009/0038533	A1 *	2/2009	Wichard et al.	.....	116/148

\* cited by examiner

*Primary Examiner*—Robert M Spear

*Assistant Examiner*—Barbara Fox

(74) *Attorney, Agent, or Firm*—Salter & Michaelson

(57) **CLAIM**

The ornamental design for a set of door knockers, as shown and described.

**DESCRIPTION**

FIG. 1 is a front perspective view of a set of door knockers showing the new design, the letter “T” shown separately for ease of illustration;

FIG. 2 is a rear perspective view thereof;

FIG. 3 is a front elevational view thereof;

FIG. 4 is a rear elevational view thereof;

FIG. 5 is a top plan view thereof;

FIG. 6 is a bottom plan view thereof;

FIG. 7 is a left side elevational view thereof;

FIG. 8 is a right side elevational view thereof;

FIG. 9 is a front perspective view of a set of door knockers, the letter “J” shown separately for ease of illustration;

FIG. 10 is a rear perspective view for the letter “J” thereof;

FIG. 11 is a front perspective view of a set of door knockers, the letter “L” shown separately for ease of illustration;

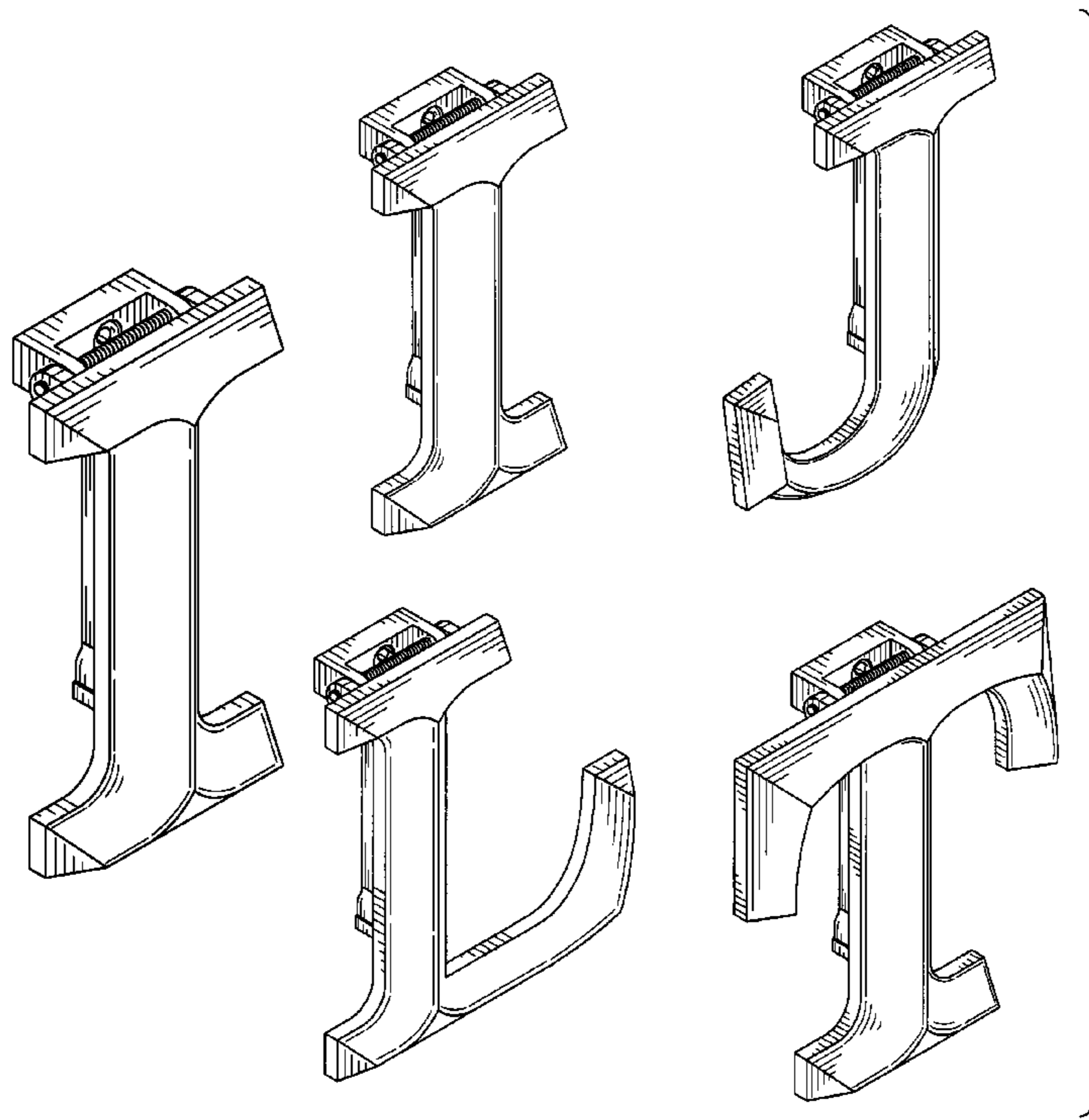
FIG. 12 is a rear perspective view for the letter “L” thereof;

FIG. 13 is a front perspective view of a set of door knockers, the letter “T” shown separately for ease of illustration; and

FIG. 14 is a rear perspective view for the letter “T” thereof; and,

FIG. 15 is a front perspective view of a set of door knockers thereof.

**1 Claim, 12 Drawing Sheets**



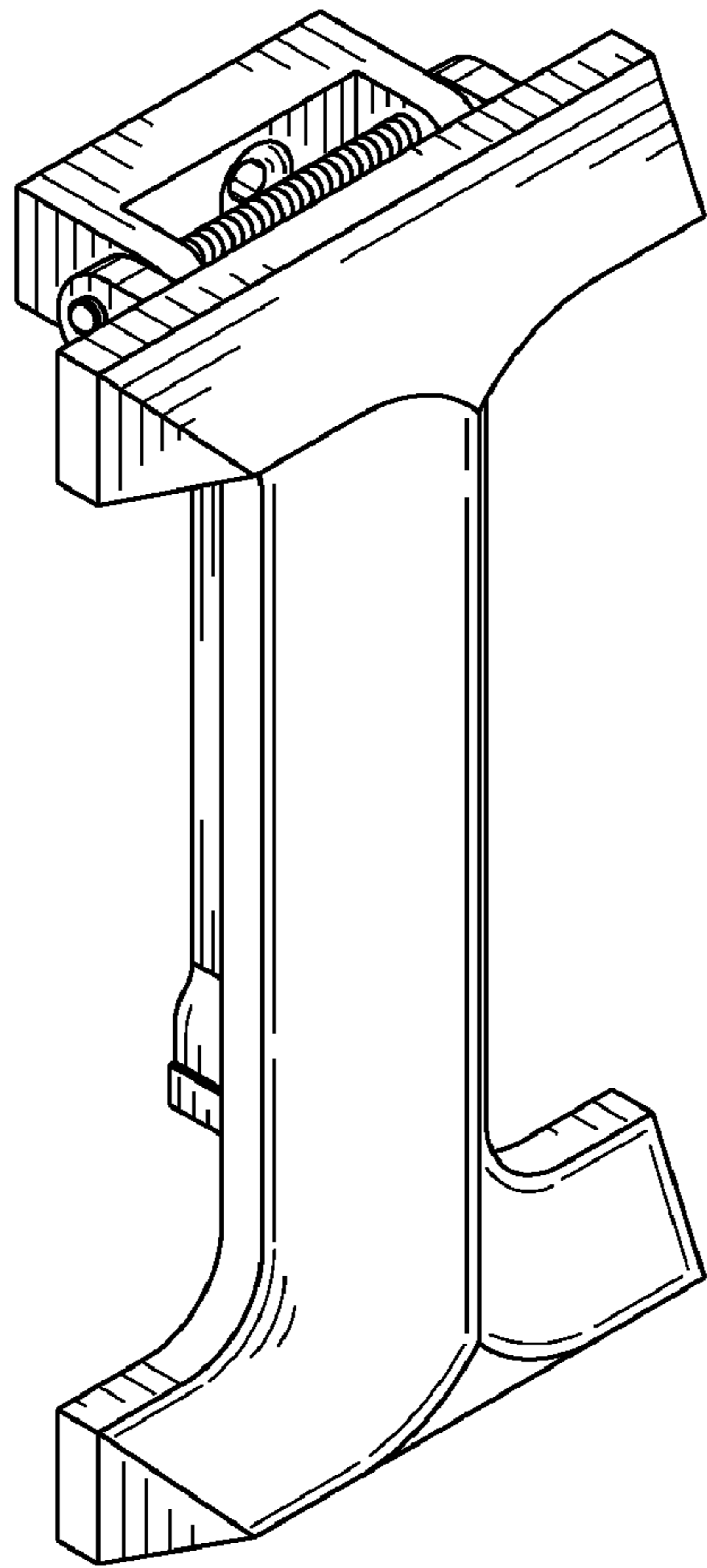


FIG. 1

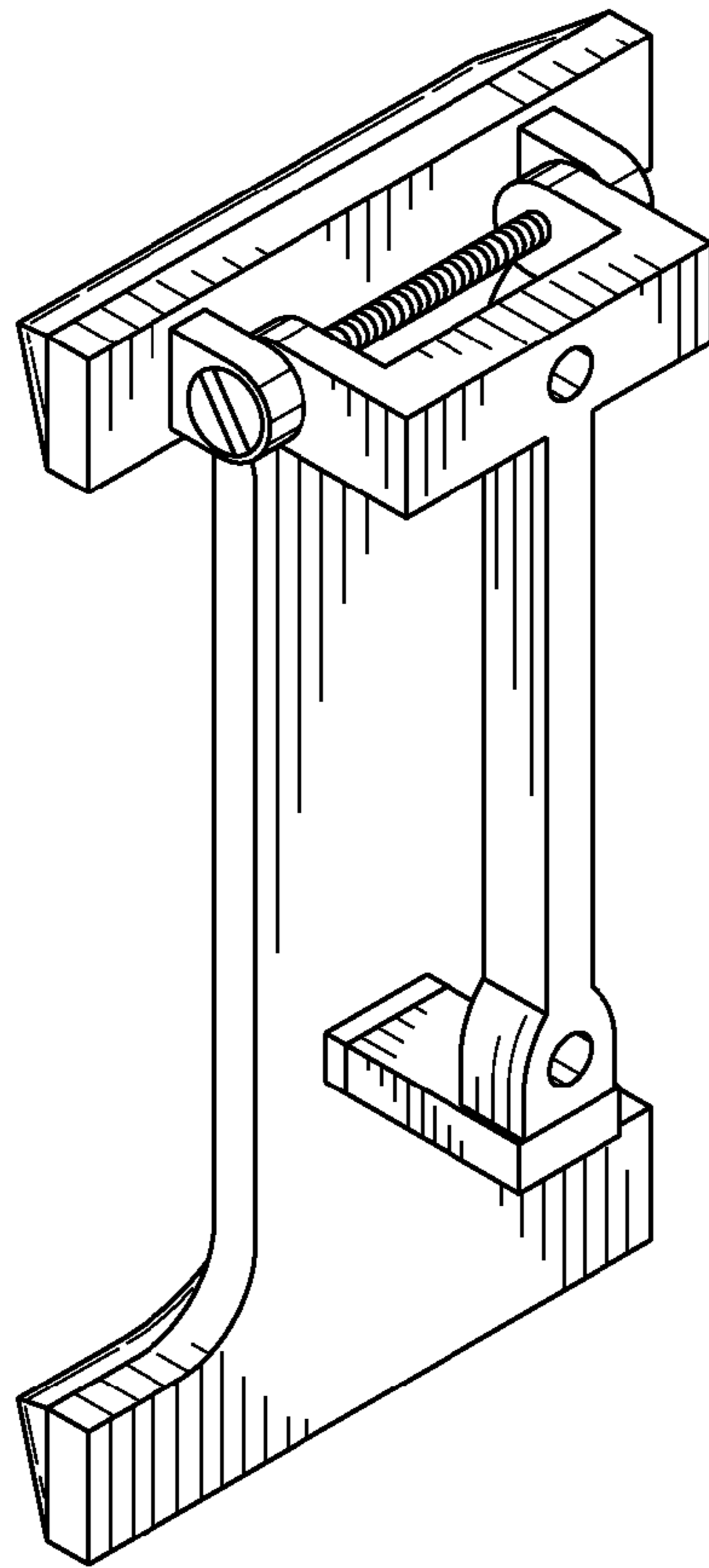


FIG. 2

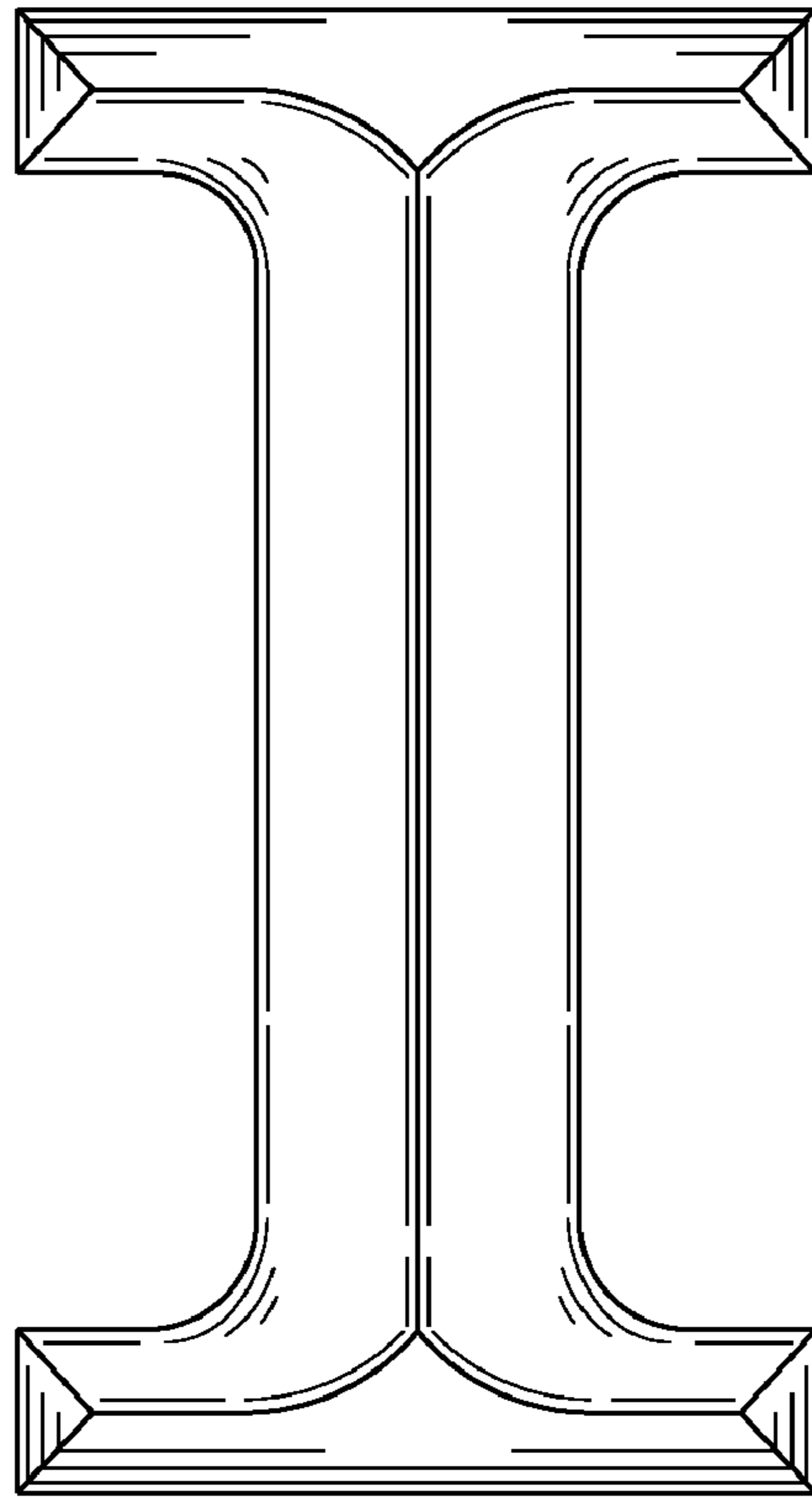


FIG. 3

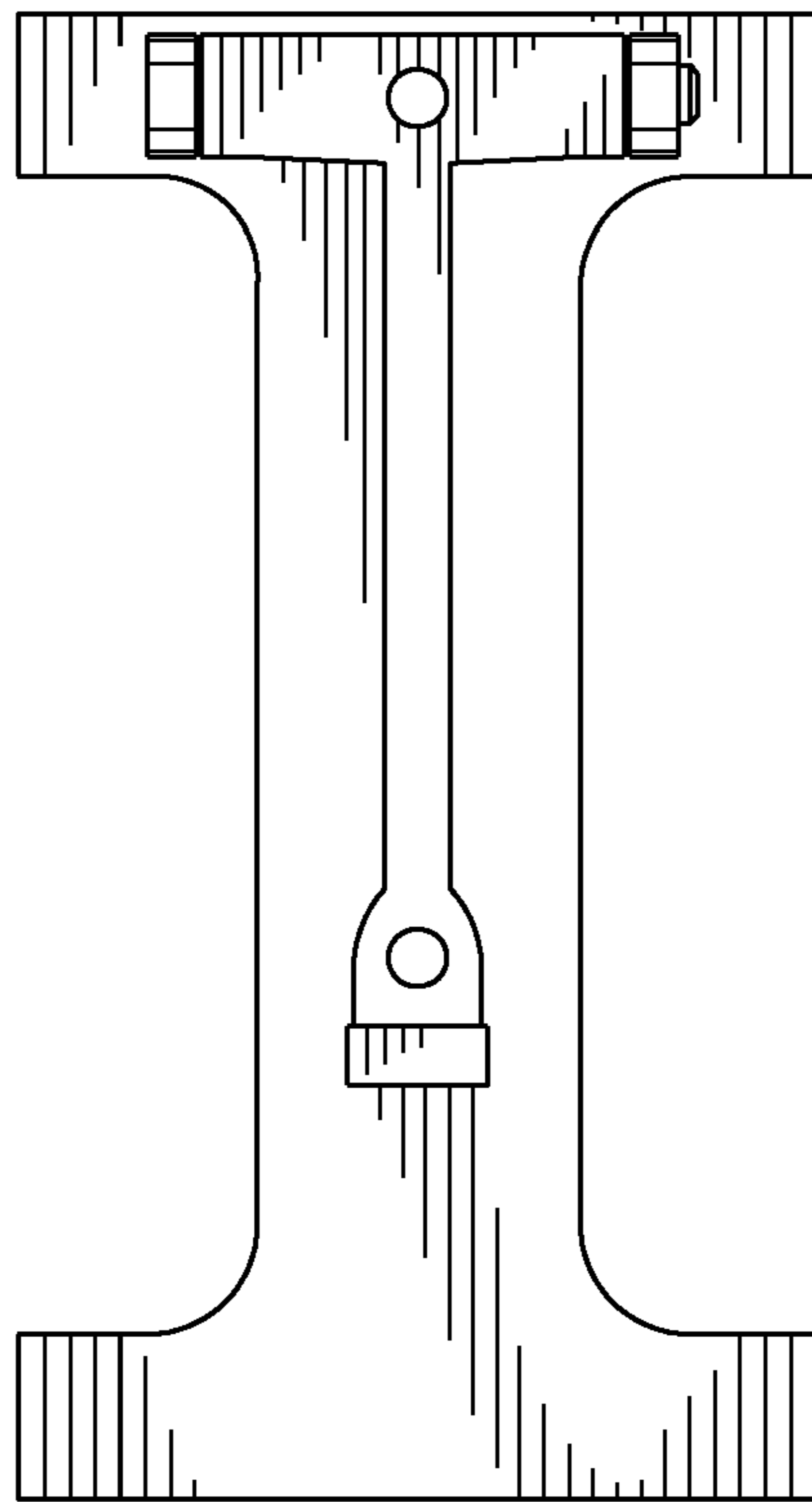


FIG. 4

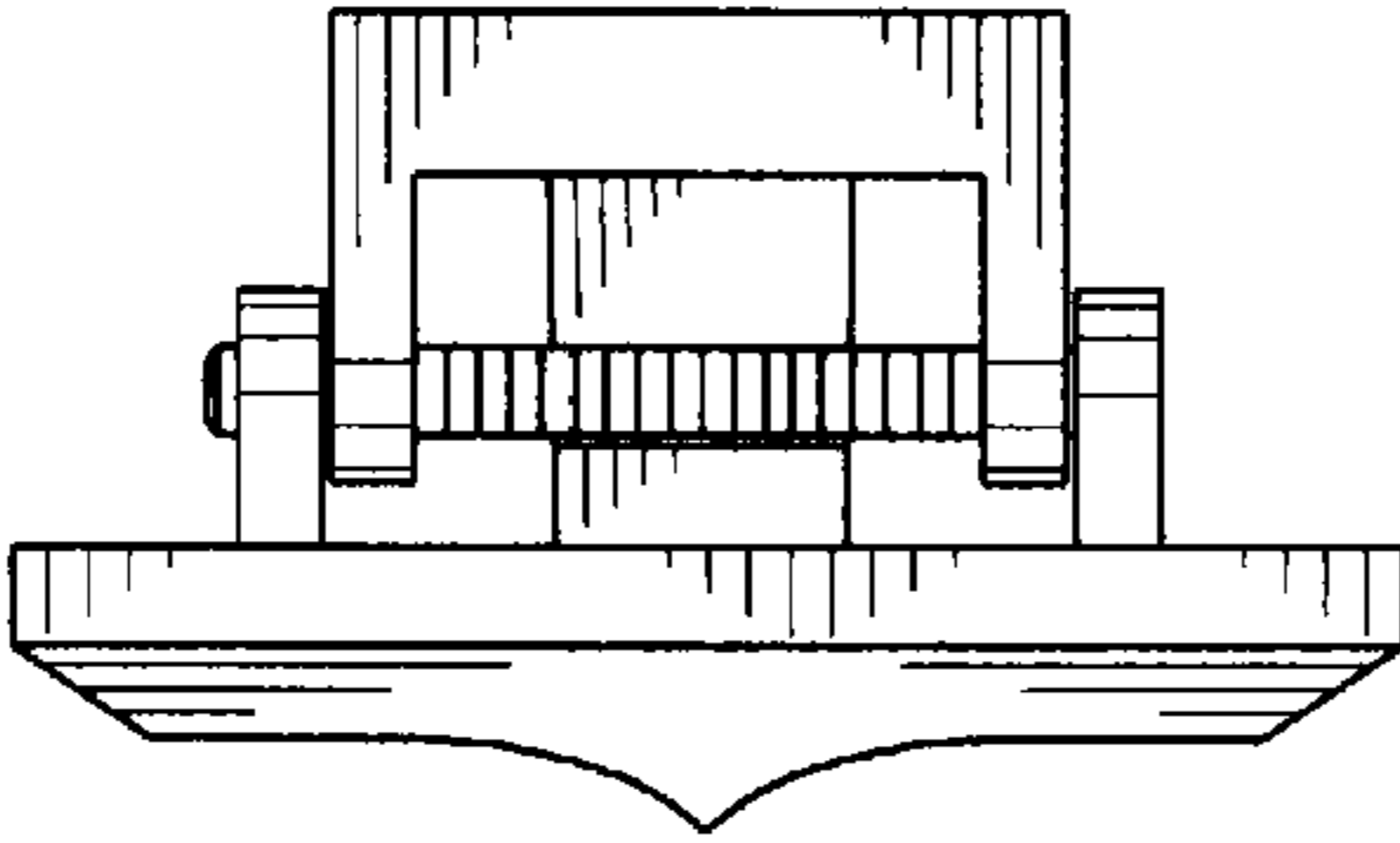


FIG. 5

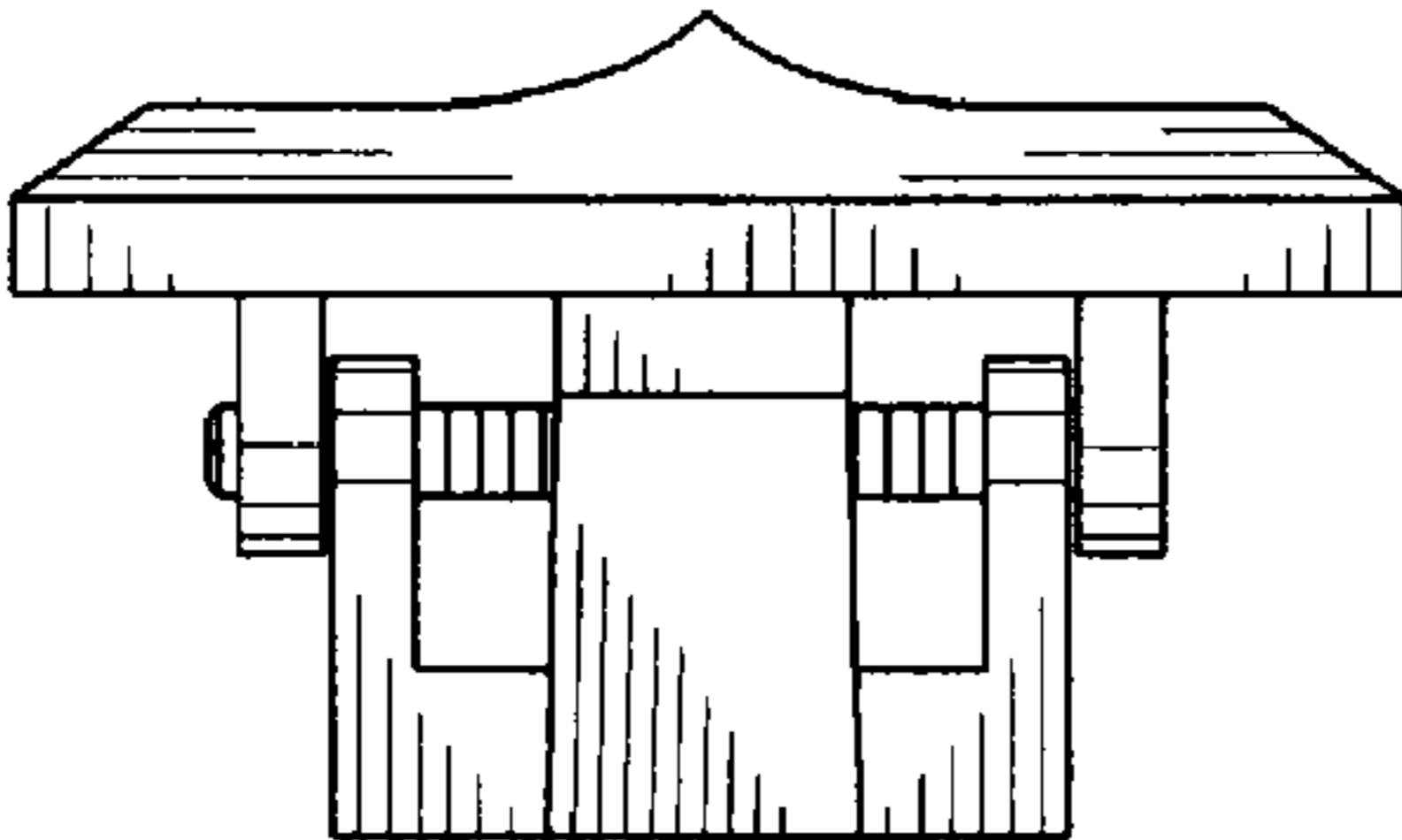


FIG. 6

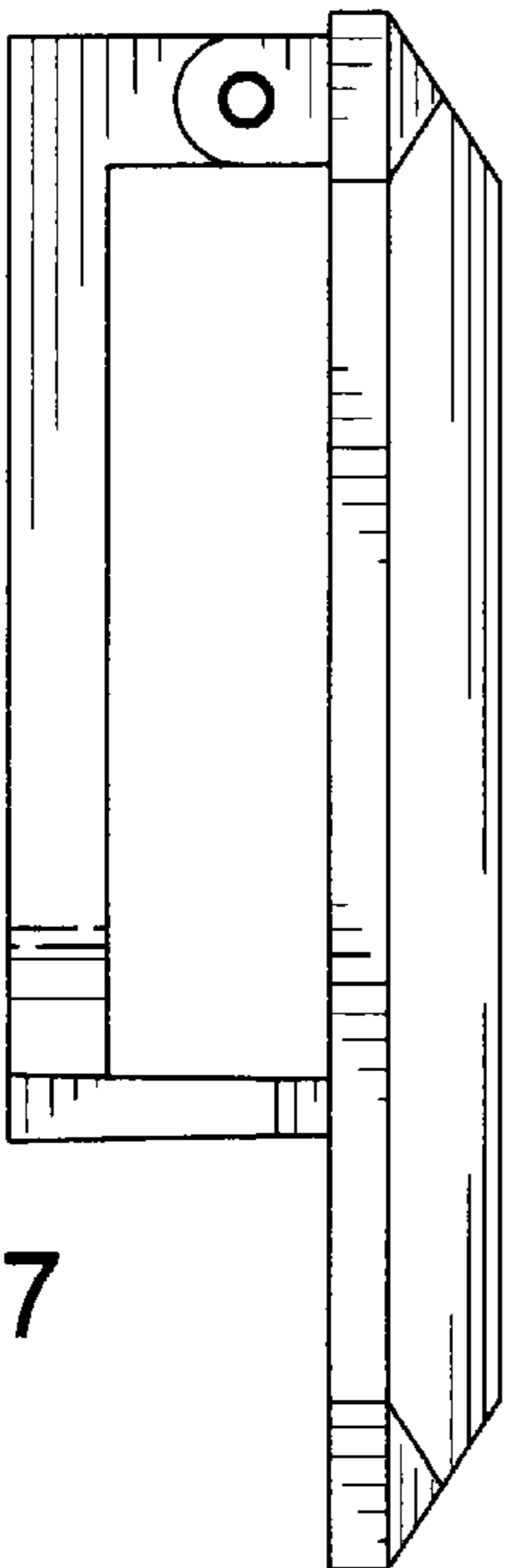


FIG. 7

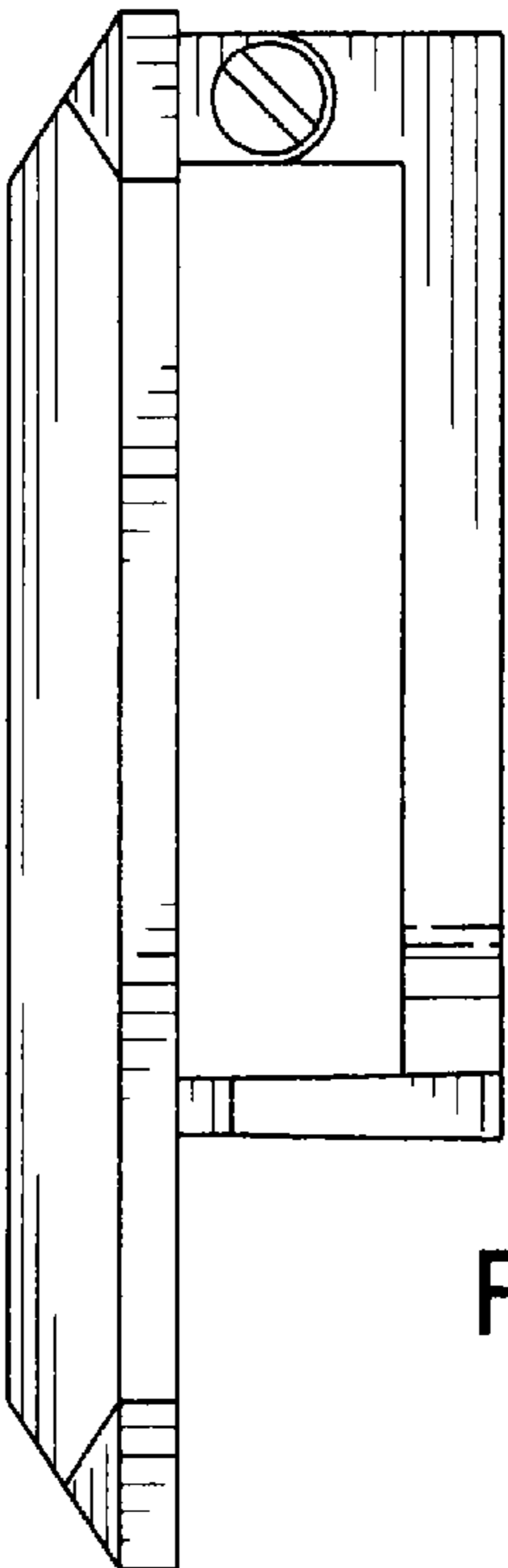


FIG. 8

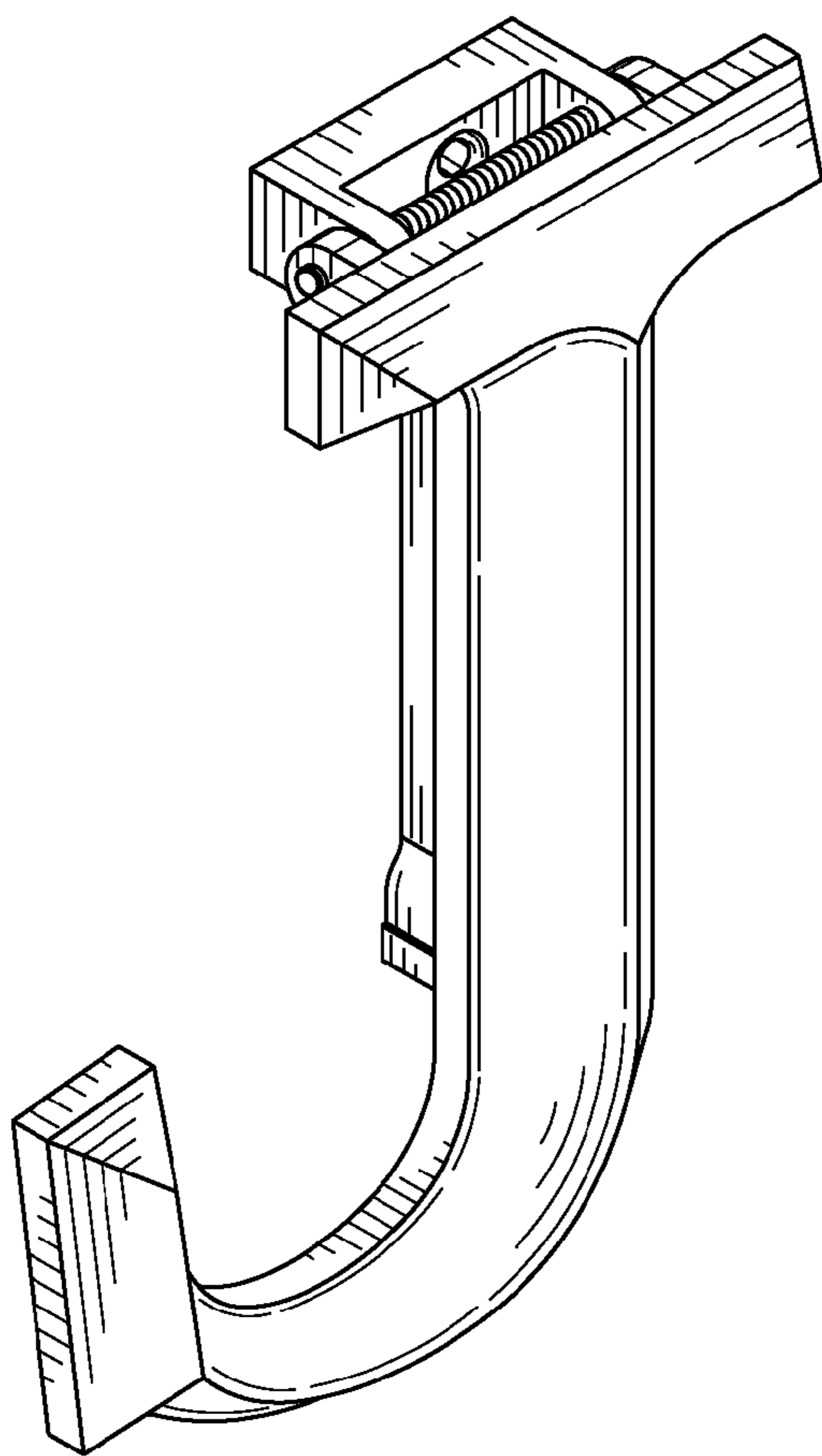


FIG. 9

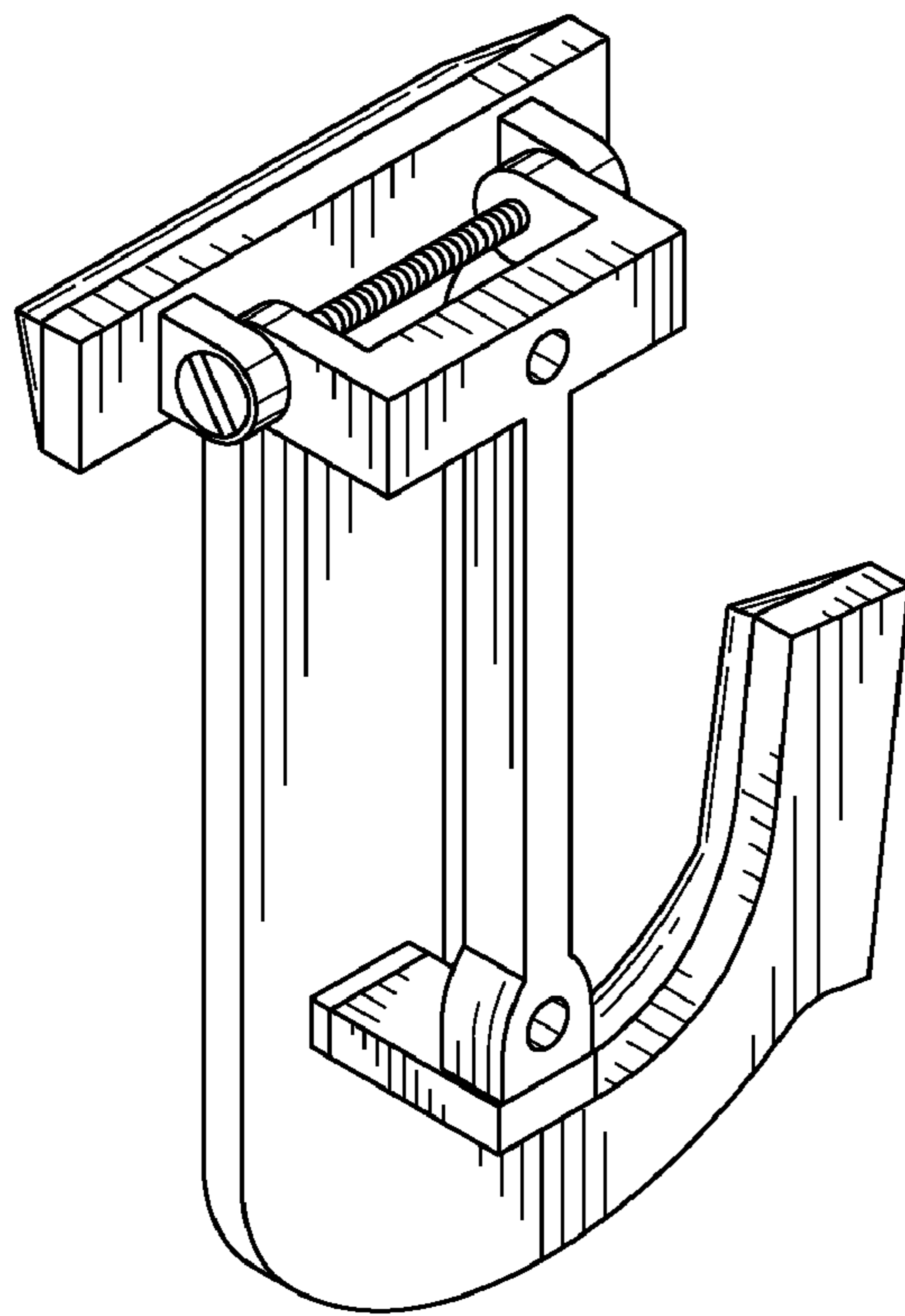


FIG. 10



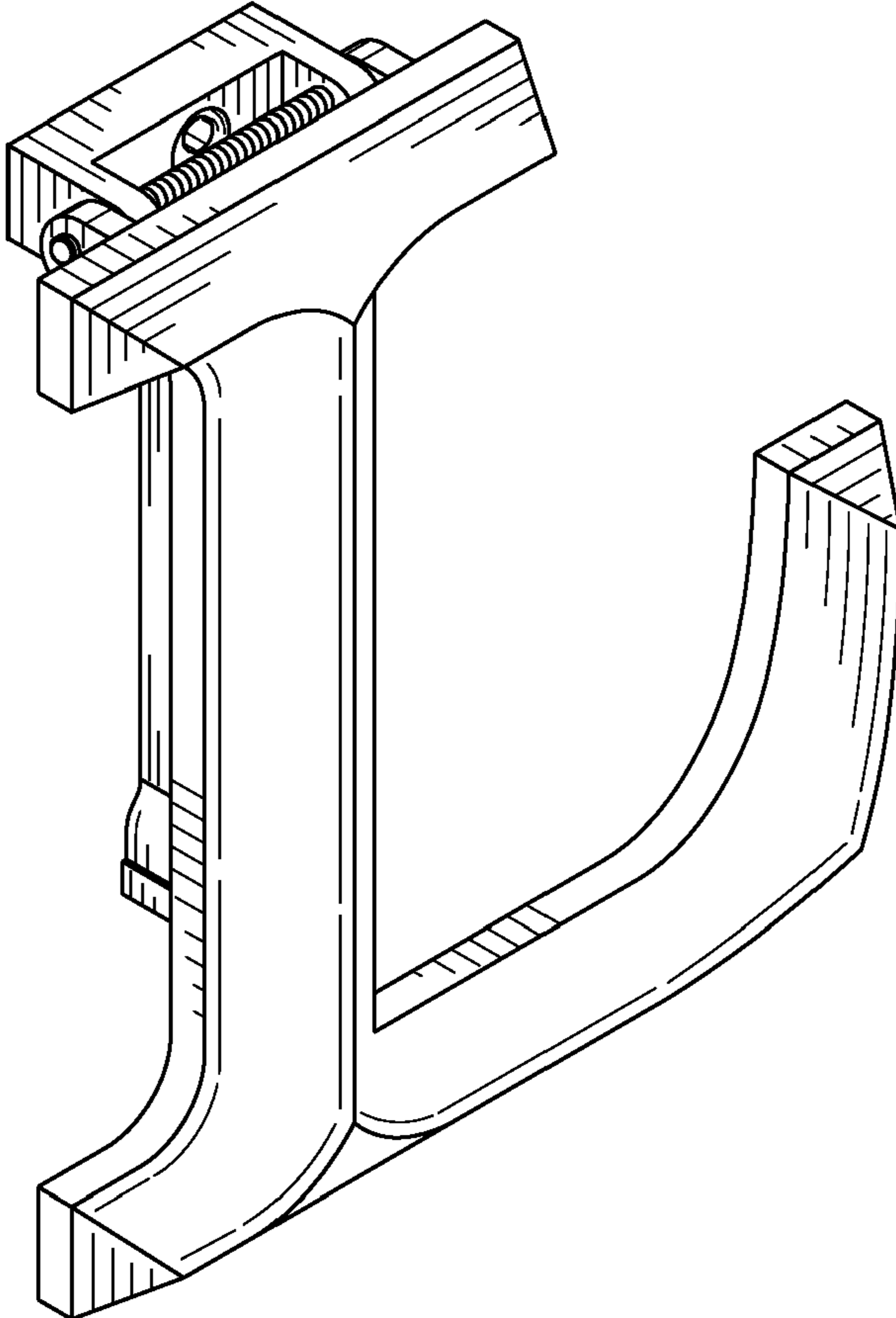


FIG. 11

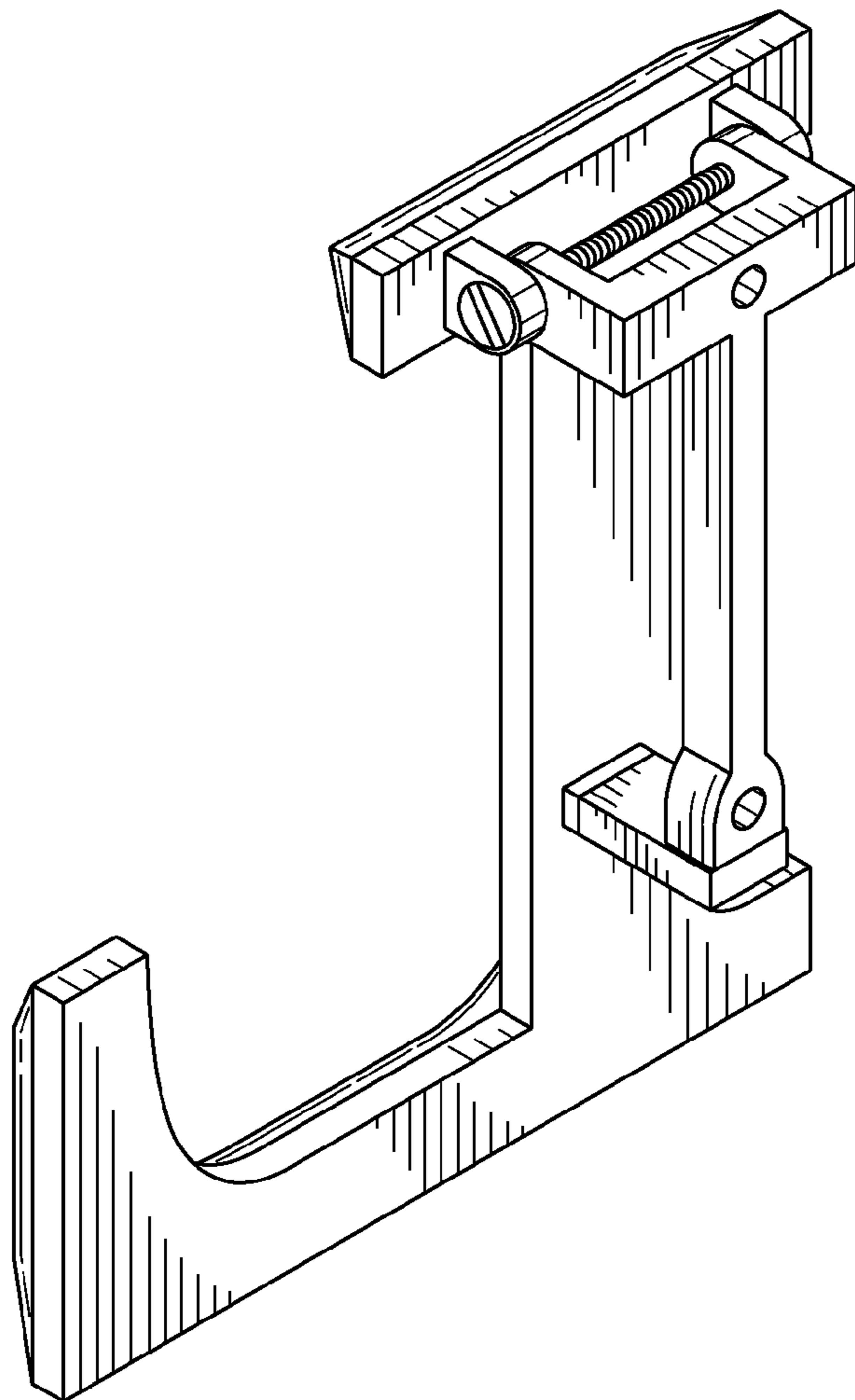


FIG. 12

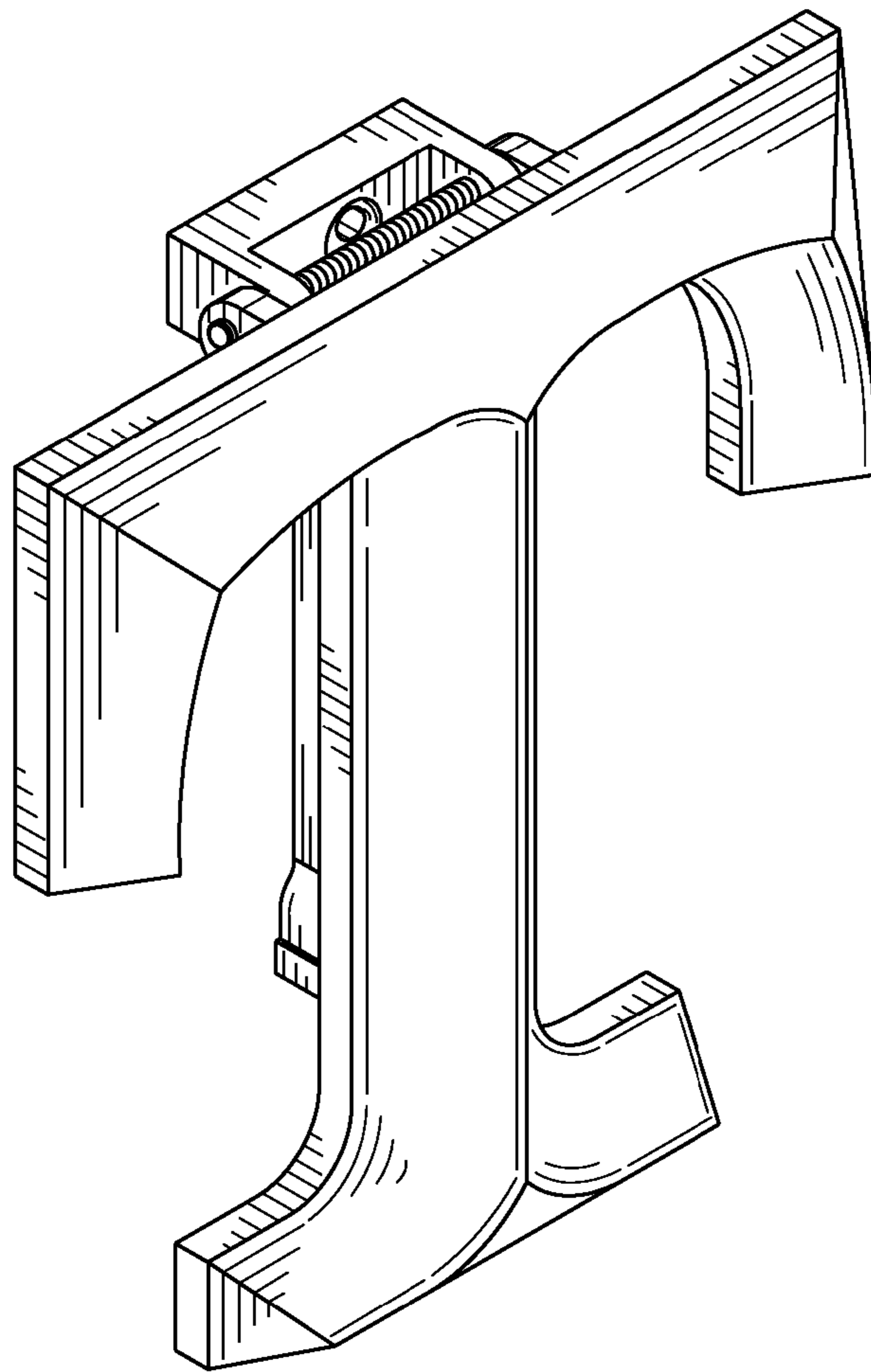


FIG. 13

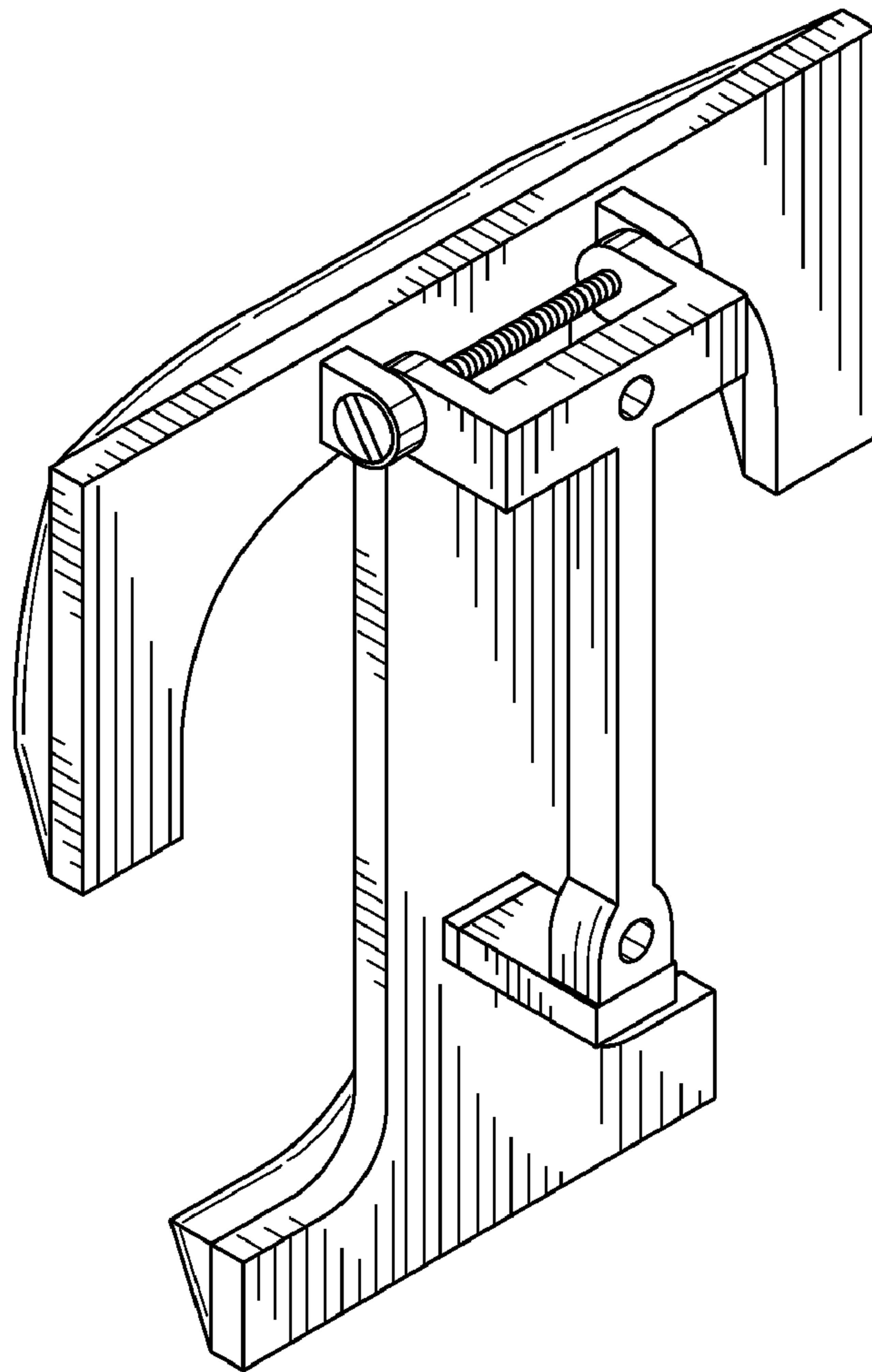


FIG. 14

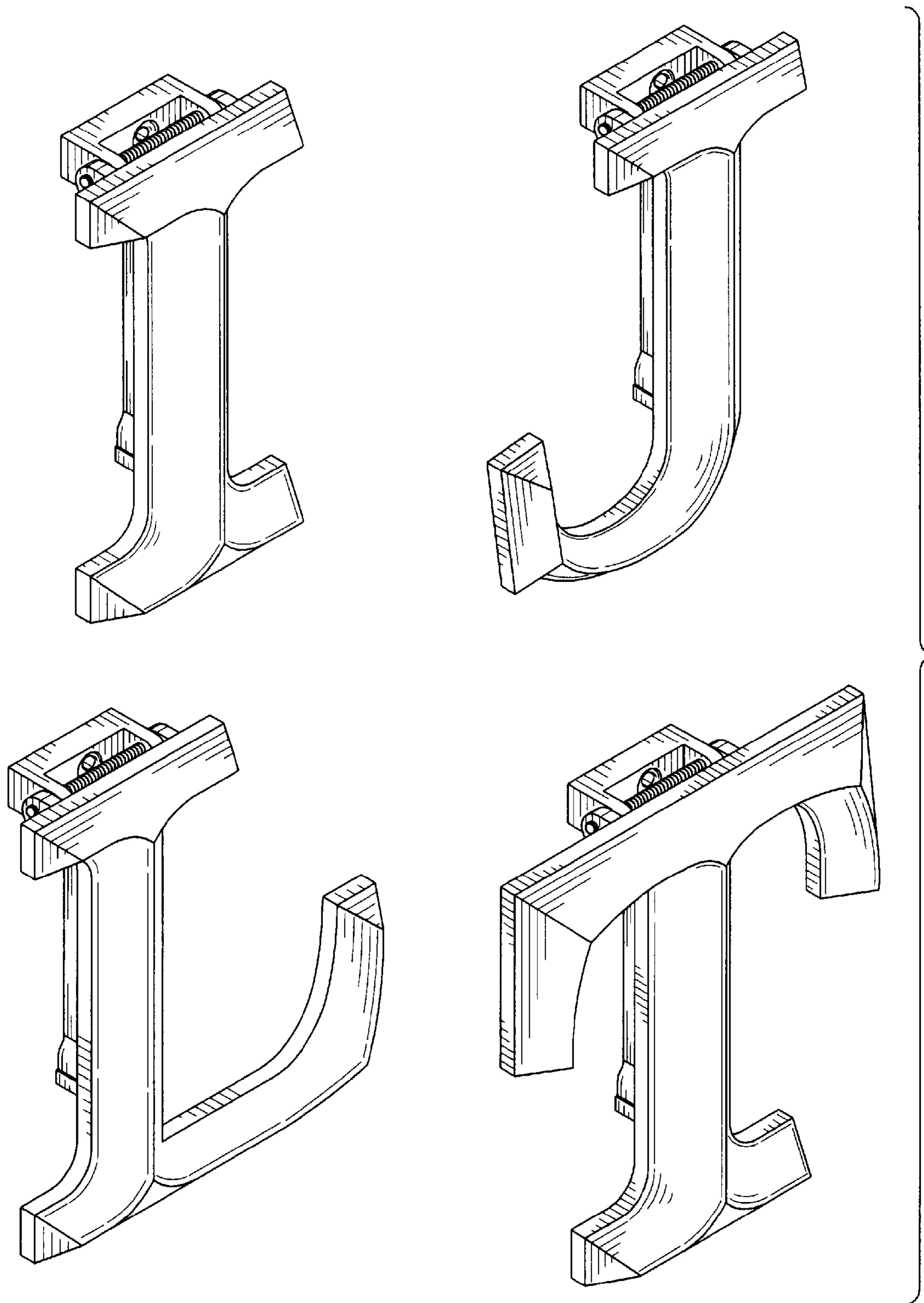


FIG. 15