



US00D625592S

(12) **United States Design Patent**  
**Healy**

(10) **Patent No.:** **US D625,592 S**  
(45) **Date of Patent:** **\*\* Oct. 19, 2010**

(54) **SET OF DOOR KNOCKERS**

(57) **CLAIM**

(76) Inventor: **Michael Healy**, 280 Chocolog Rd.,  
Uxbridge, MA (US) 01569

The ornamental design for a set of door knockers, as shown  
and described.

(\*\*) Term: **14 Years**

**DESCRIPTION**

(21) Appl. No.: **29/353,143**

FIG. 1 is a front perspective view of a set of door knockers  
showing the new design, the letter "E" shown separately for  
ease of illustration;

(22) Filed: **Jan. 4, 2010**

FIG. 2 is a rear perspective view thereof;

(51) **LOC (9) Cl.** ..... **10-06**

FIG. 3 is a front elevational view thereof;

(52) **U.S. Cl.** ..... **D8/401**

FIG. 4 is a rear elevational view thereof;

(58) **Field of Classification Search** ..... D8/306,  
D8/400-499; D11/132, 133, 136; 16/126,  
16/11 R; 116/155, 148, 16, 167; 446/422;  
84/402, 410; 984/DIG. 1

FIG. 5 is a top plan view thereof;

FIG. 6 is a bottom plan view thereof;

FIG. 7 is a left side elevational view thereof;

FIG. 8 is a right side elevational view thereof;

See application file for complete search history.

FIG. 9 is a front perspective view of a set of door knockers, the  
letter "F" shown separately for ease of illustration;

(56) **References Cited**

**U.S. PATENT DOCUMENTS**

|              |      |        |                  |         |
|--------------|------|--------|------------------|---------|
| 602,573      | A *  | 4/1898 | Coggeshall       | 116/172 |
| D131,203     | S *  | 1/1942 | Beach            | D8/401  |
| 4,004,547    | A *  | 1/1977 | Todd             | 116/148 |
| D245,310     | S *  | 8/1977 | Fenice           | D8/401  |
| 4,108,104    | A *  | 8/1978 | Kupperman et al. | 116/148 |
| D256,093     | S *  | 7/1980 | Kupperman et al. | D8/401  |
| 2009/0038533 | A1 * | 2/2009 | Wichard et al.   | 116/148 |

FIG. 10 is a rear perspective view for the letter "F" thereof;

FIG. 11 is a front perspective view of a set of door knockers,  
the letter "B" shown separately for ease of illustration;

FIG. 12 is a rear perspective view for the letter "B" thereof;

FIG. 13 is a front perspective view of a set of door knockers,  
the letter "P" shown separately for ease of illustration;

FIG. 14 is a rear perspective view for the letter "P" thereof;

FIG. 15 is a front perspective view of a set of door knockers,  
the letter "R" shown separately for ease of illustration; and

FIG. 16 is a rear perspective view for the letter "R" thereof;  
and,

FIG. 17 is a front perspective view of a set of door knockers  
thereof.

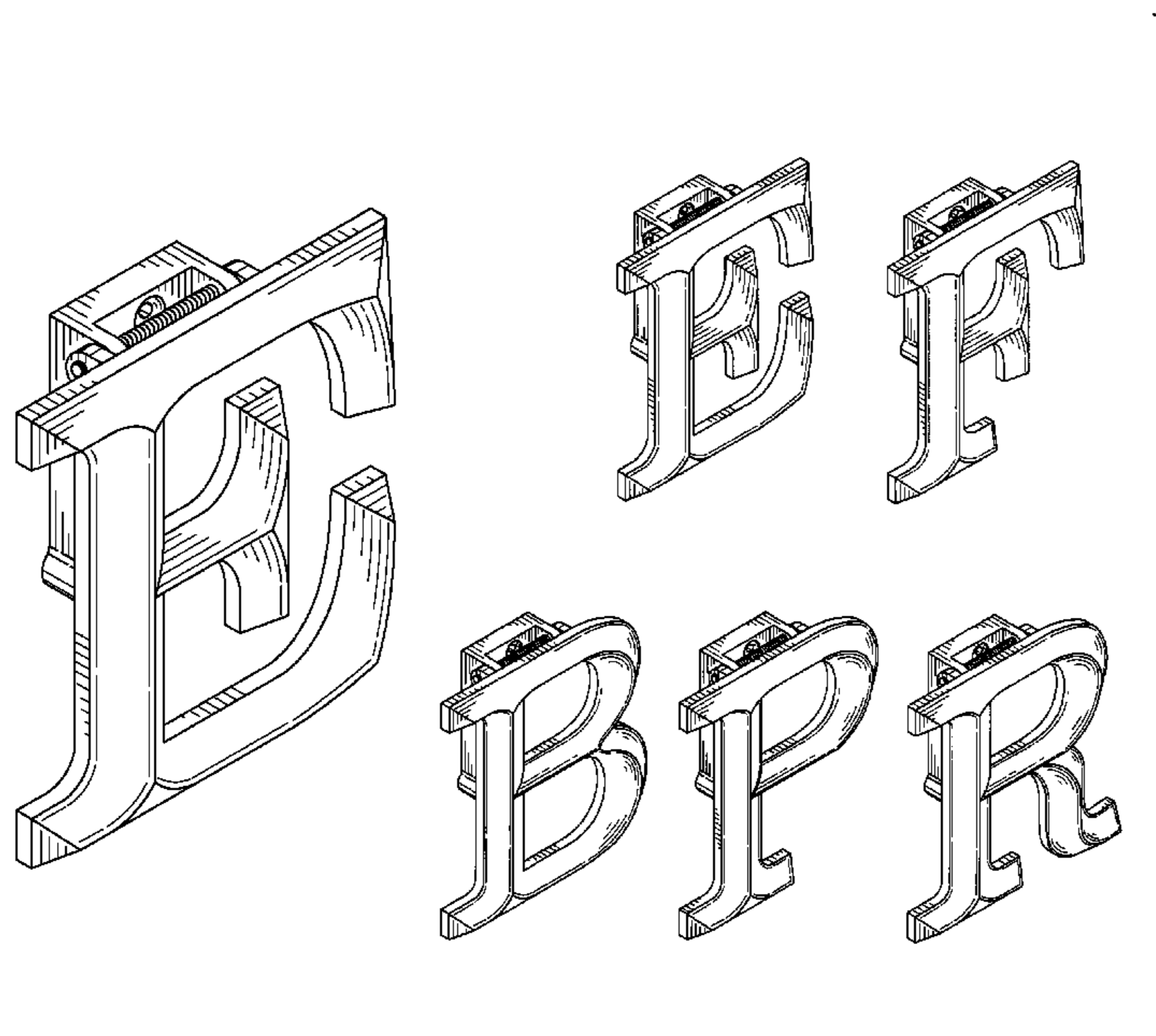
\* cited by examiner

*Primary Examiner*—Robert M Spear

*Assistant Examiner*—Barbara Fox

(74) *Attorney, Agent, or Firm*—Salter & Michaelson

**1 Claim, 14 Drawing Sheets**



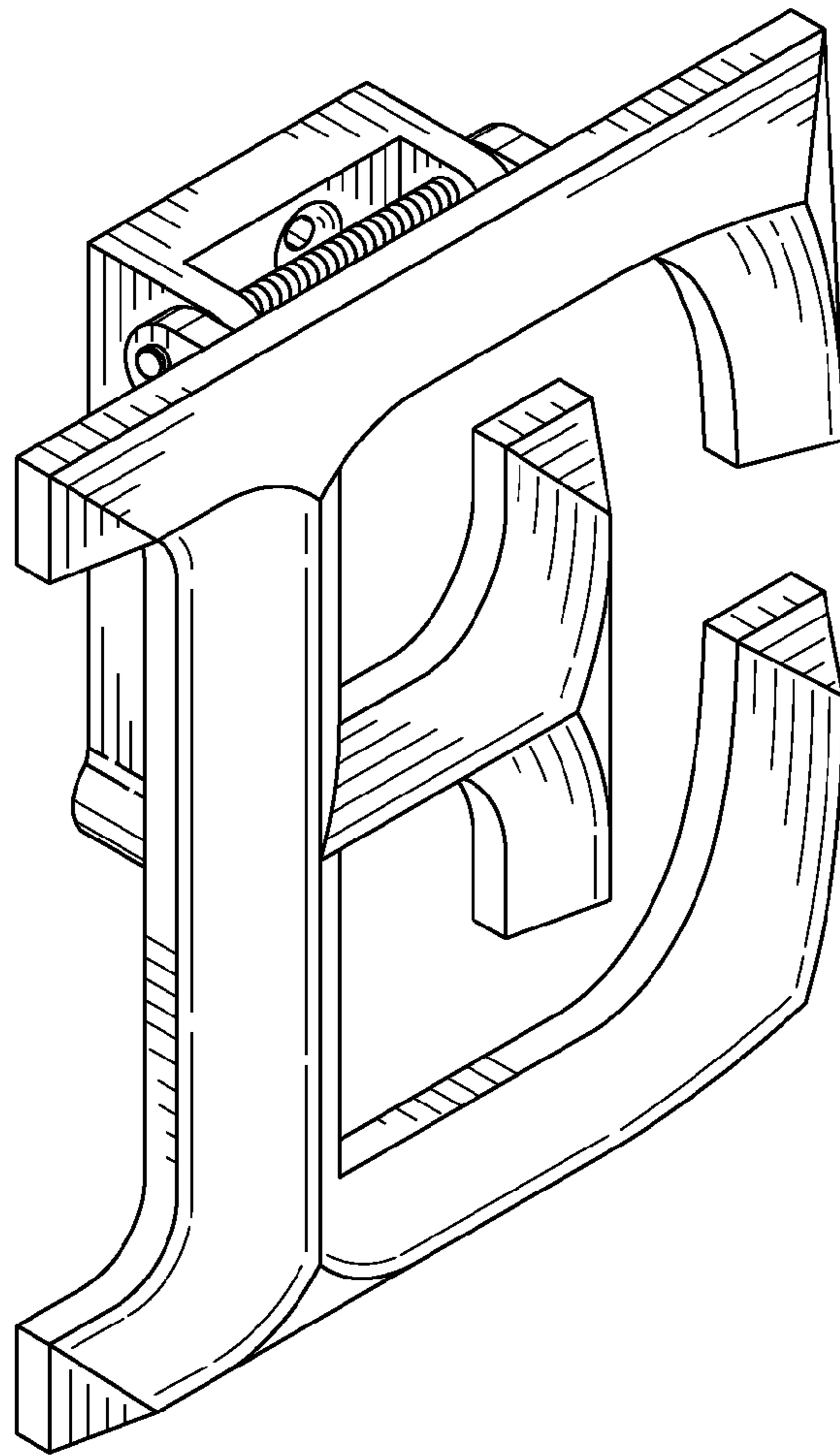


FIG. 1

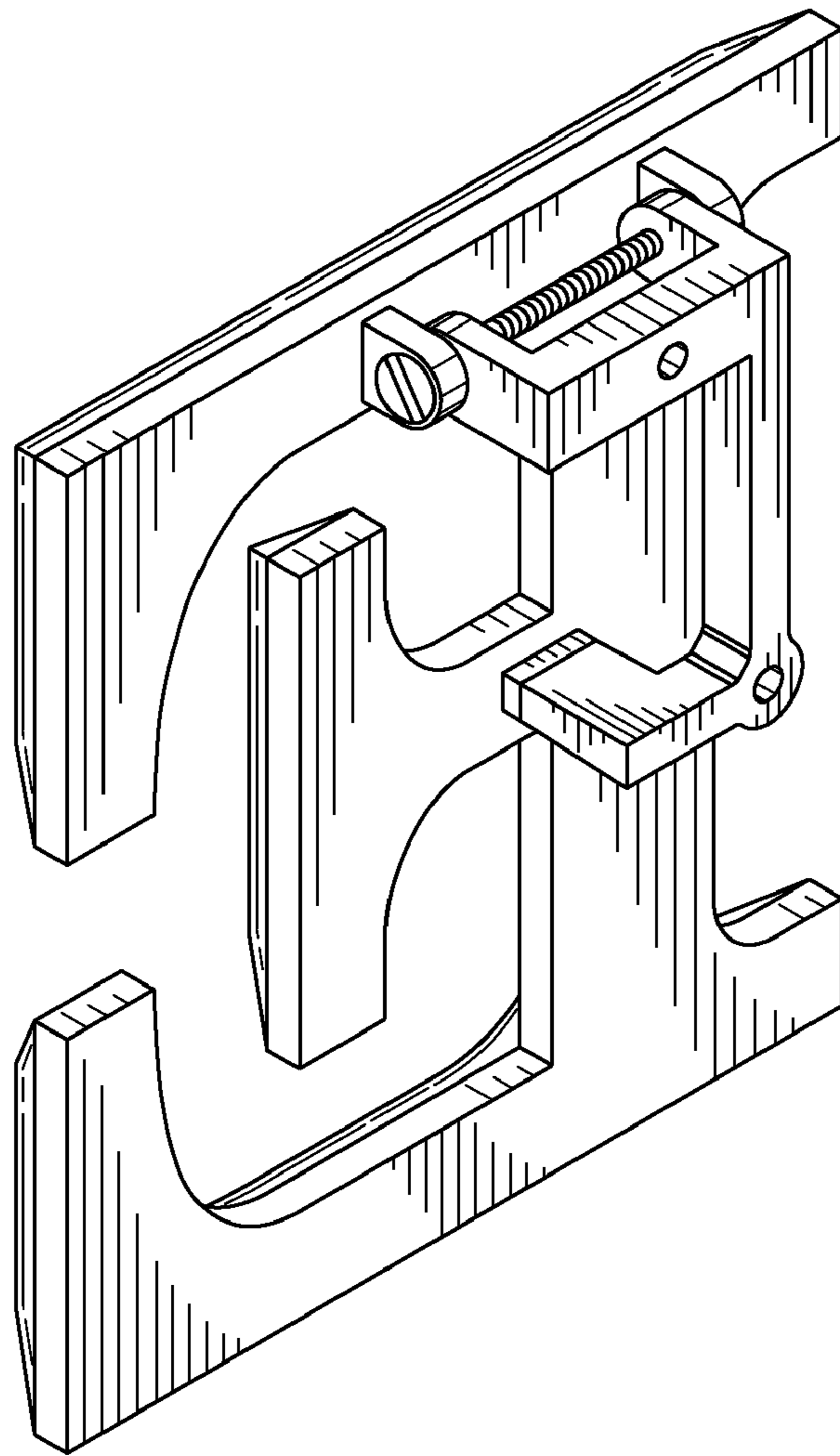


FIG. 2

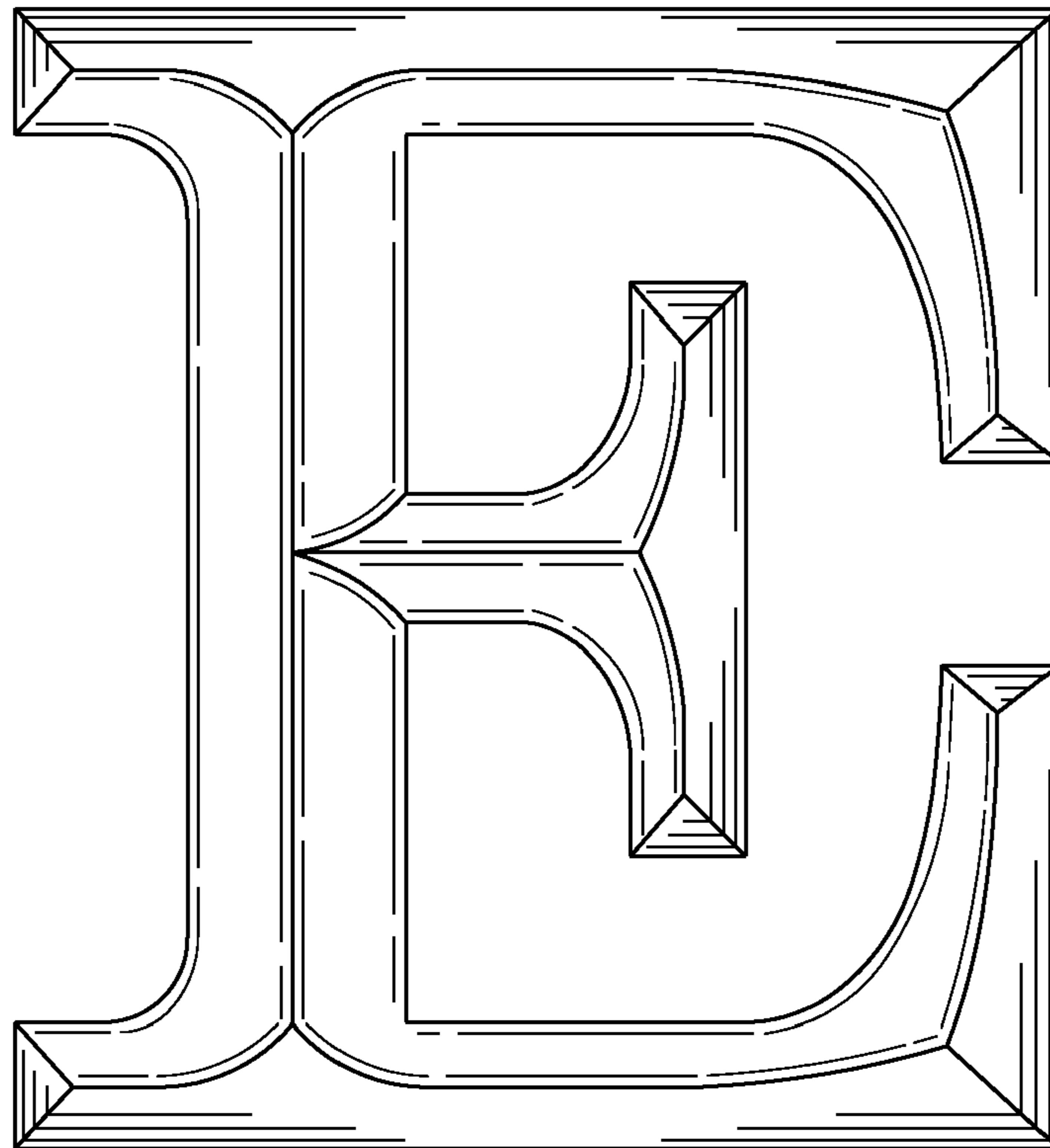


FIG. 3

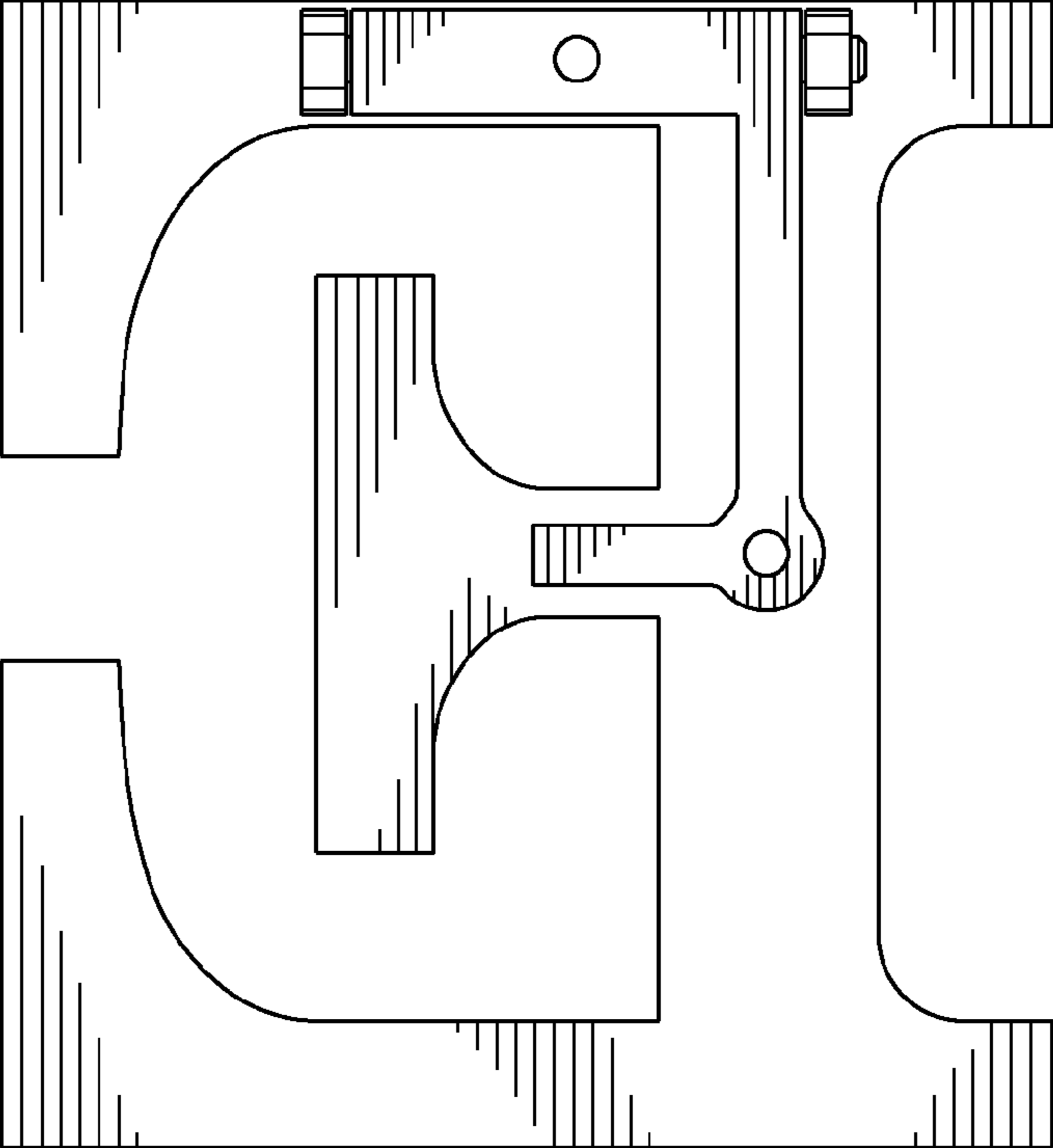


FIG. 4

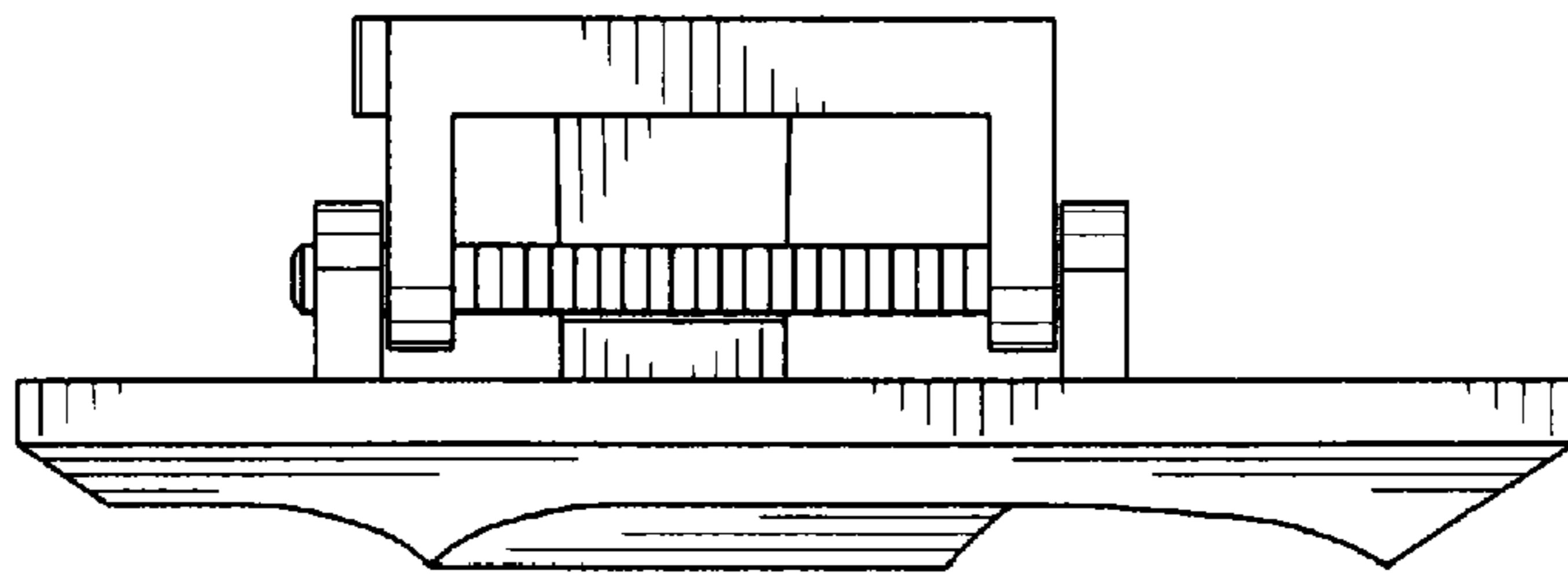


FIG. 5

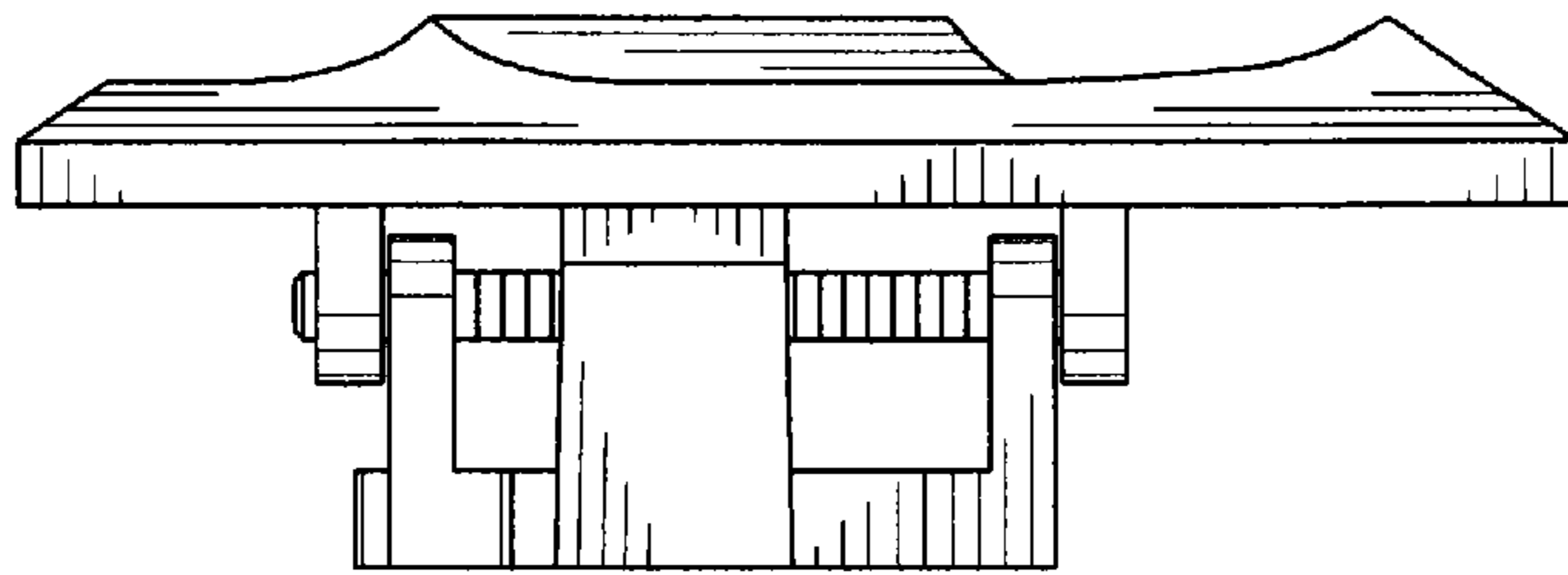


FIG. 6

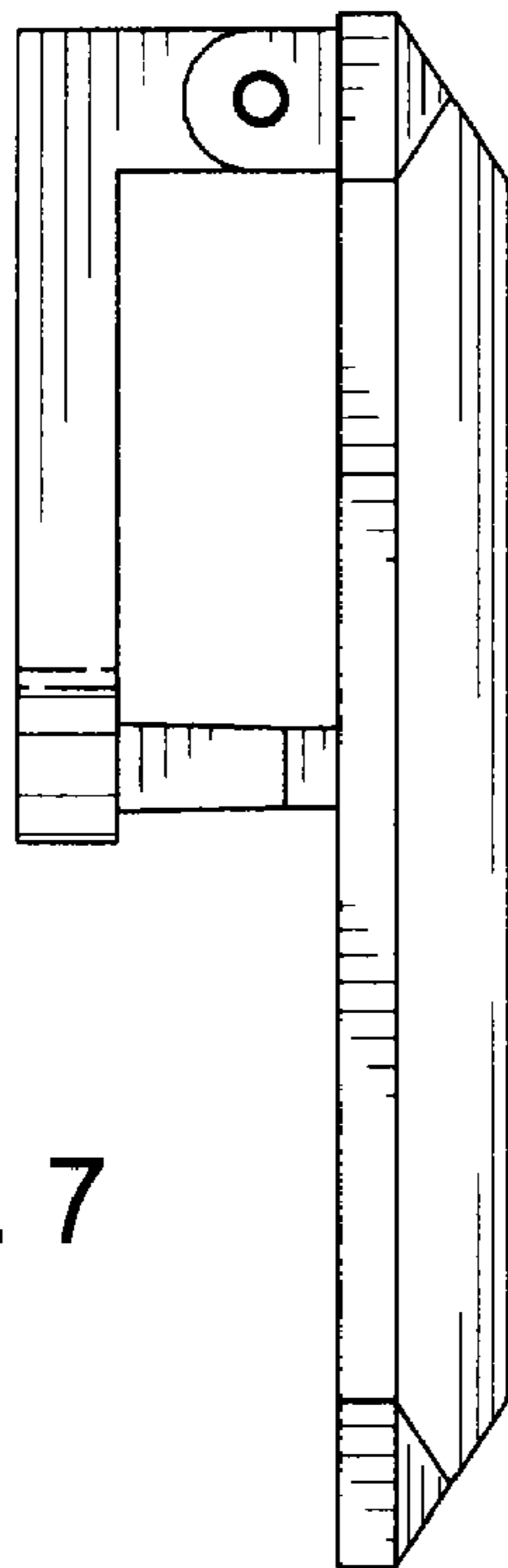


FIG. 7

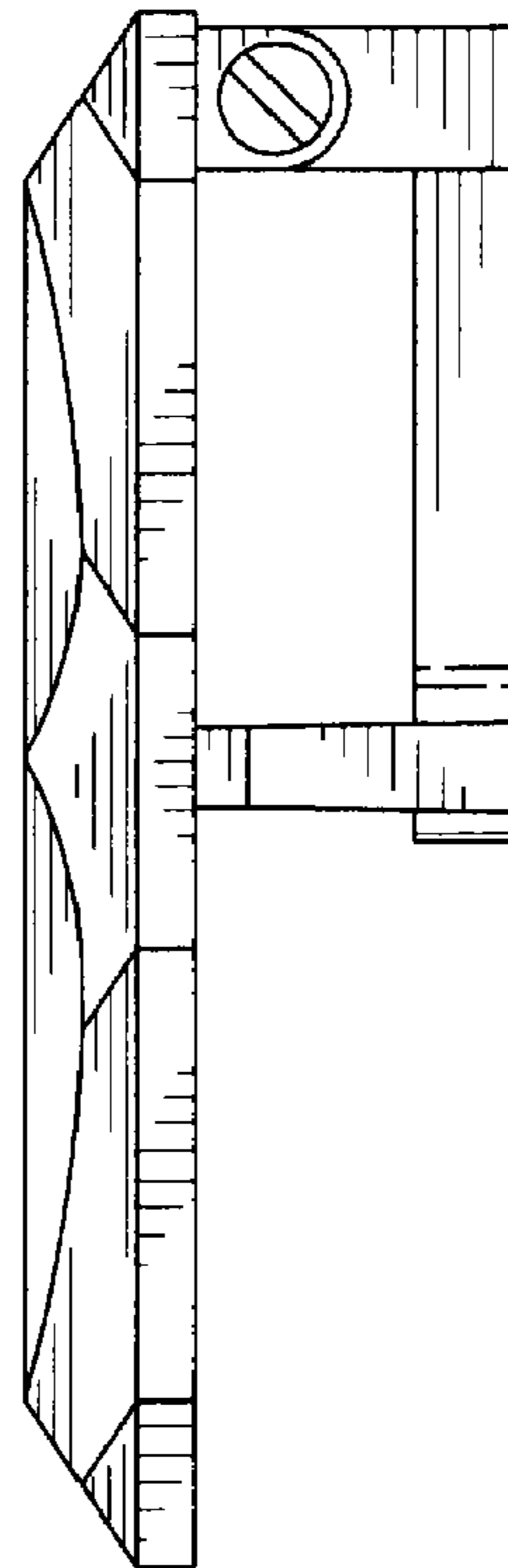


FIG. 8

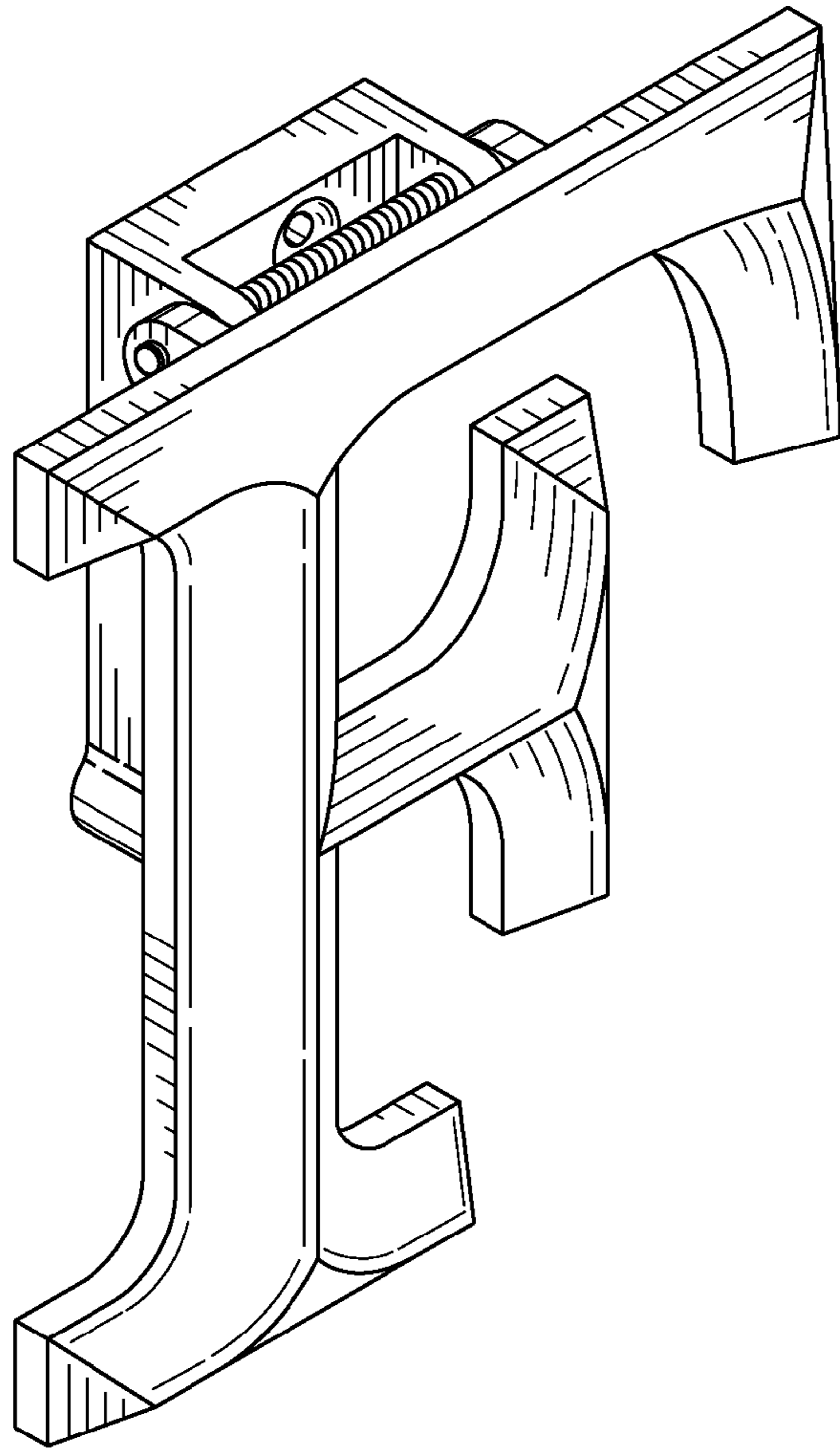


FIG. 9

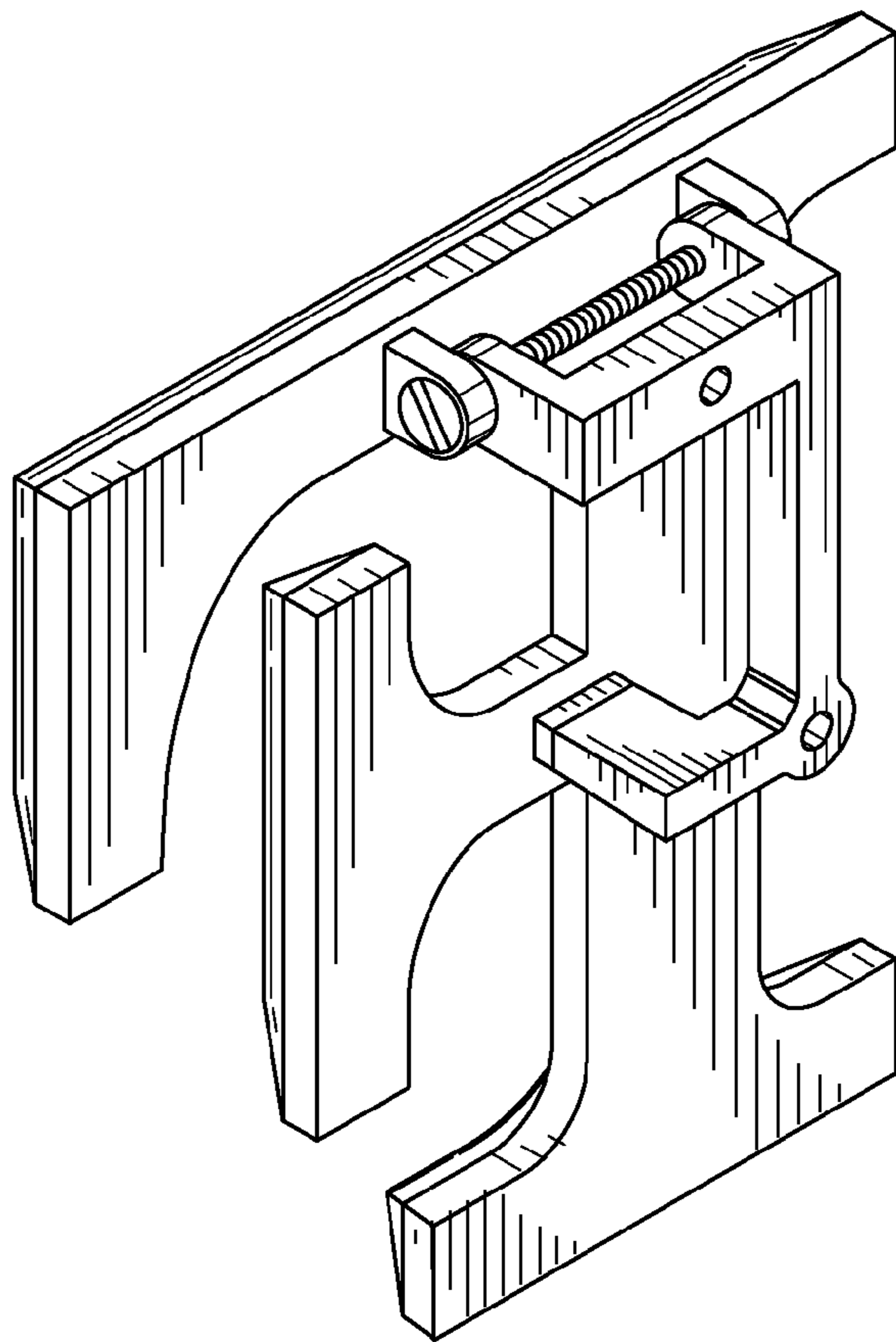


FIG. 10



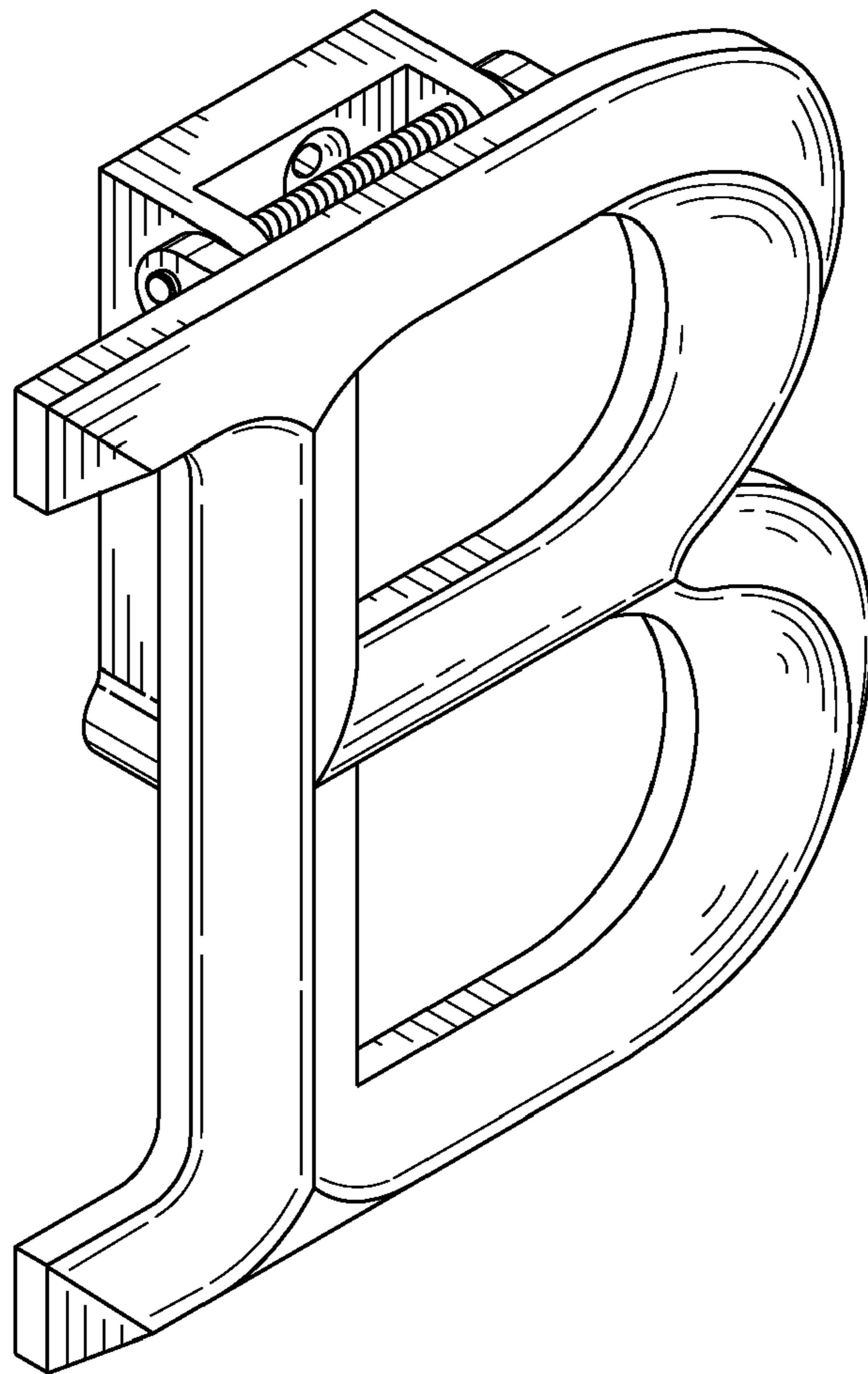


FIG. 11

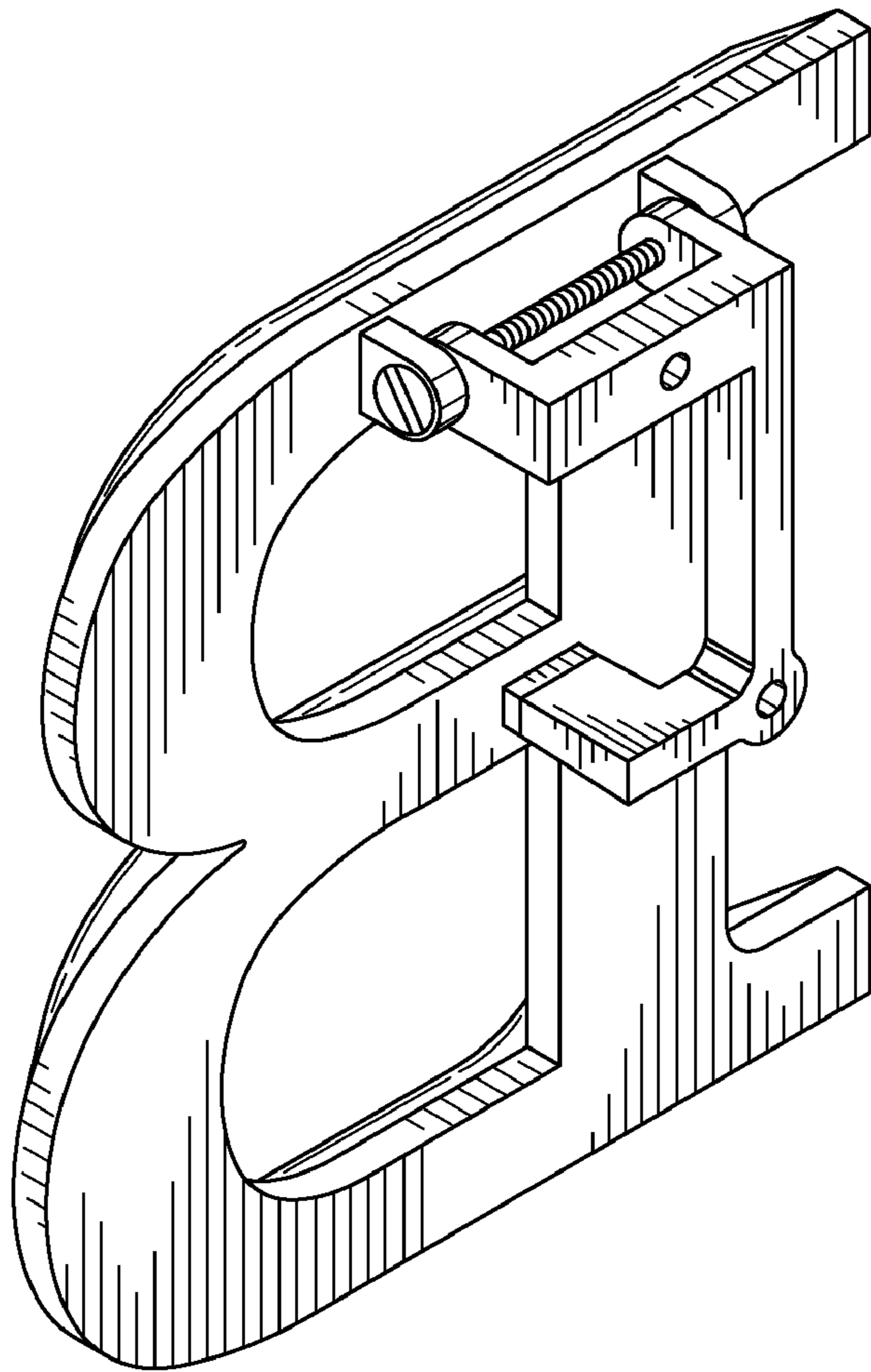


FIG. 12

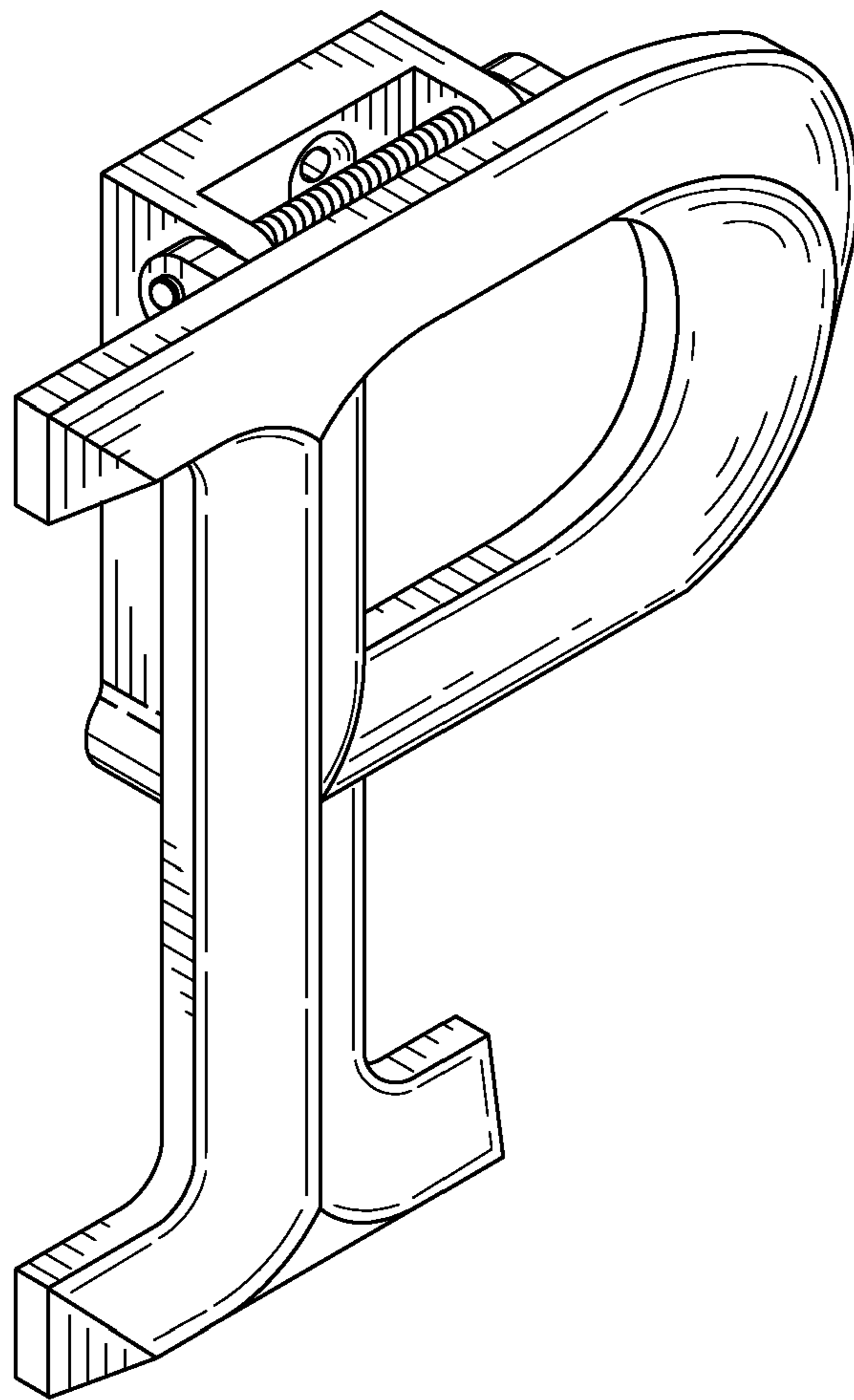


FIG. 13

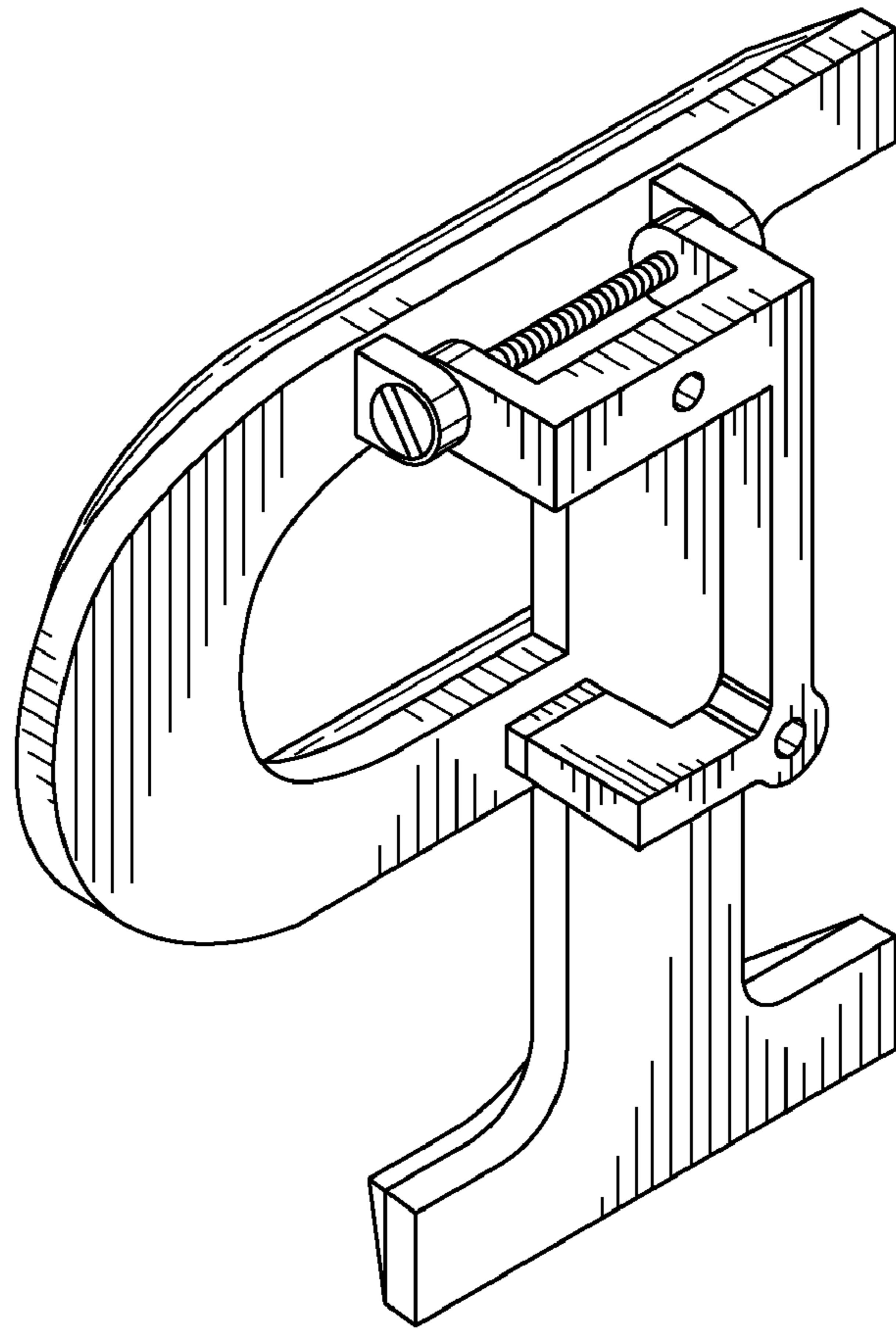


FIG. 14

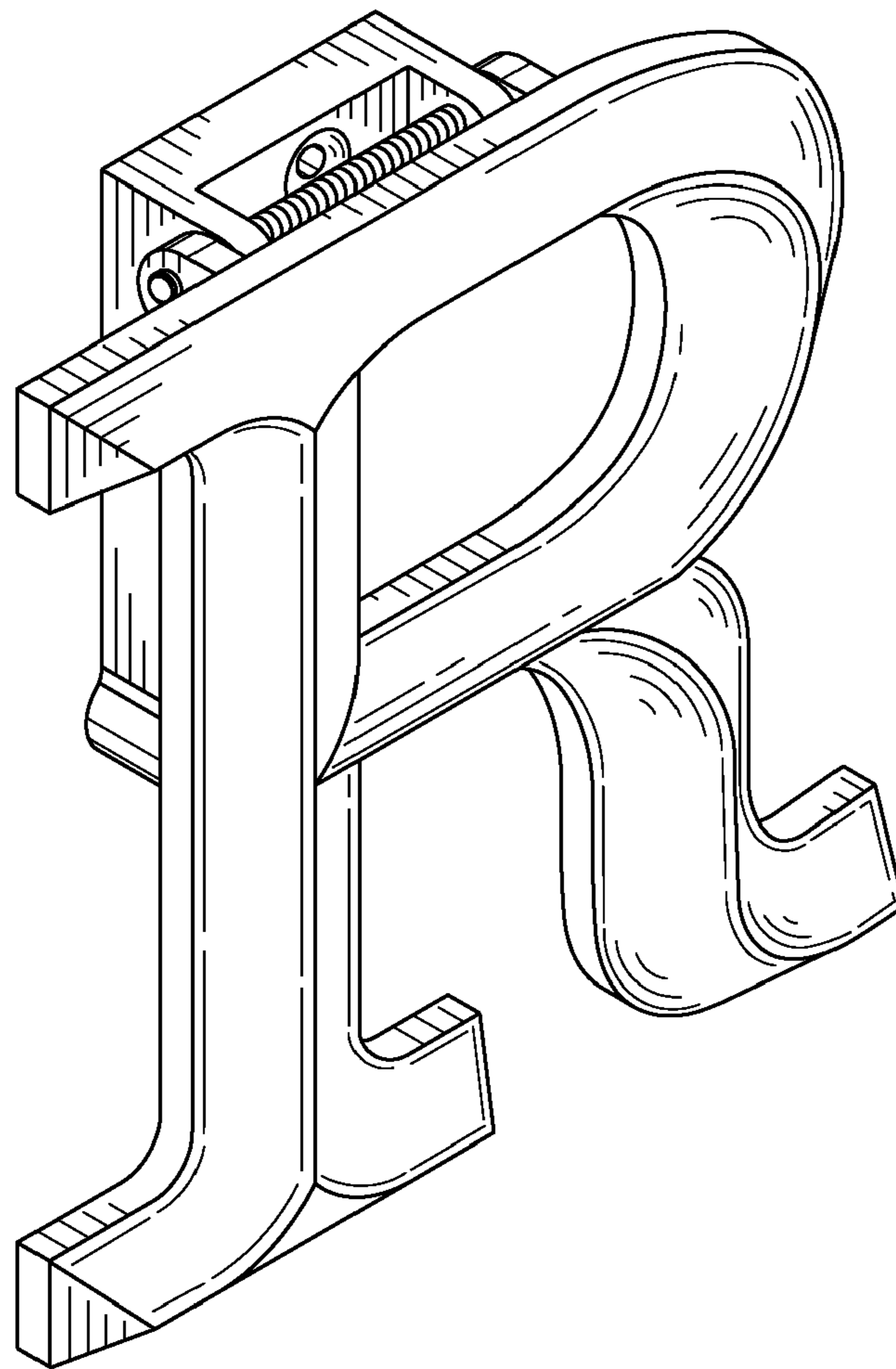


FIG. 15

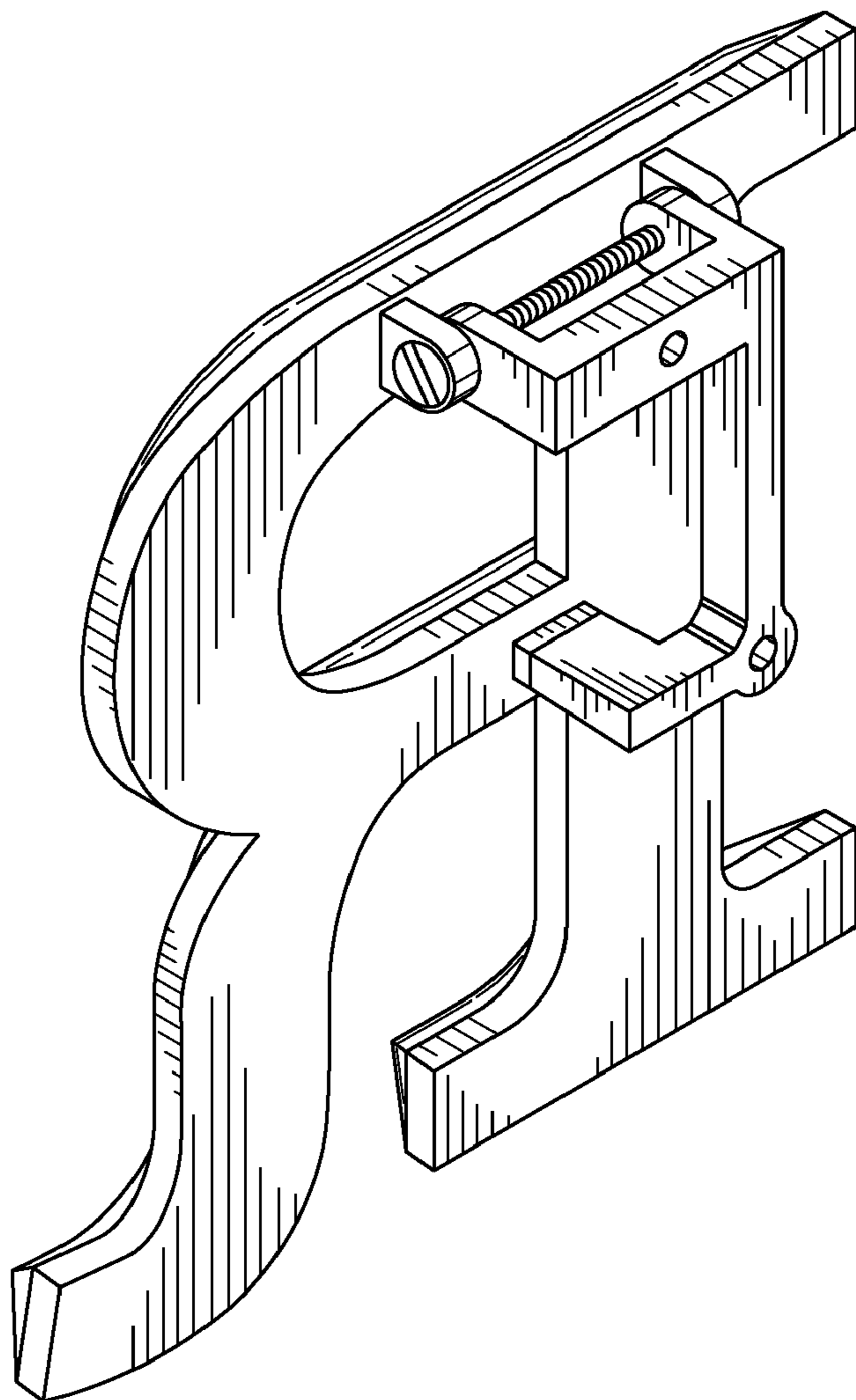


FIG. 16

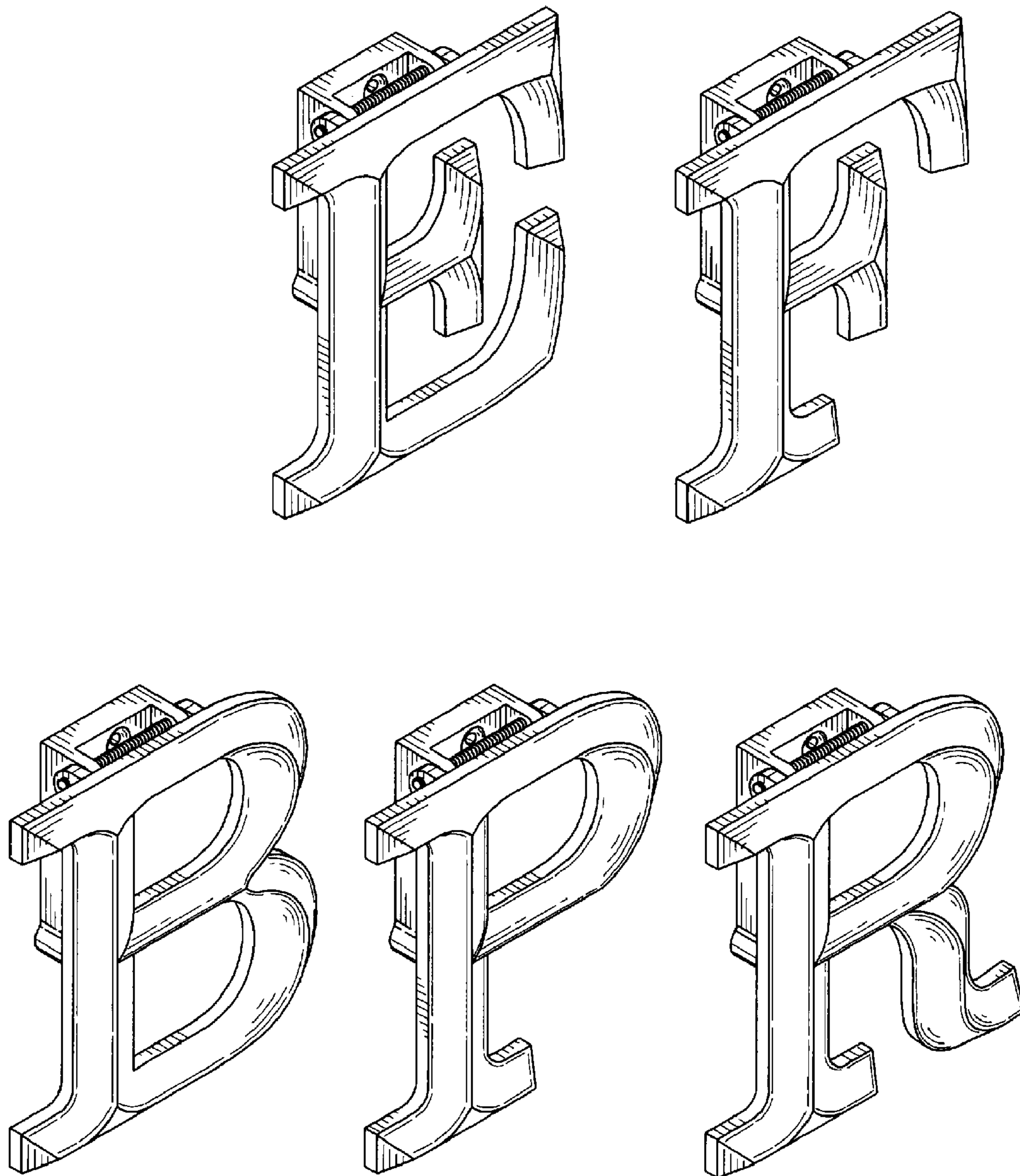


FIG. 17