



US00D625591S

(12) **United States Design Patent**  
**MacDonald et al.**

(10) **Patent No.:** **US D625,591 S**

(45) **Date of Patent:** **\*\* Oct. 19, 2010**

(54) **CABLE STAPLE**

(75) Inventors: **Brian MacDonald**, St-Jean-sur-richelieu (CA); **Daniel Lalancette**, St-Jean-sur-richelieu (CA); **Mike Di Lillo**, Chambly (CA)

(73) Assignee: **Thomas & Betts International, Inc.**, Wilmington, DE (US)

(\*\*) Term: **14 Years**

(21) Appl. No.: **29/345,090**

(22) Filed: **Oct. 9, 2009**

(51) **LOC (9) Cl.** ..... **08-08**

(52) **U.S. Cl.** ..... **D8/390**

(58) **Field of Classification Search** ..... D8/390;  
174/159, 164, 165; 411/450, 456, 920; 248/71  
See application file for complete search history.

(56) **References Cited**

**U.S. PATENT DOCUMENTS**

1,841,353	A *	1/1932	Bogges	.....	411/475
1,855,471	A *	4/1932	Buchanan	.....	248/71
2,270,284	A *	1/1942	Faggard	.....	411/473
2,317,825	A	4/1943	Teas, Sr.		
2,433,914	A *	1/1948	Lang	.....	411/444
2,885,168	A	5/1959	Silverman		
2,901,200	A *	8/1959	Voeks	.....	248/74.5
3,231,076	A	1/1966	Freiman		
3,363,864	A	1/1968	Olgreen		
4,219,174	A	8/1980	Whitehouse		

D282,525	S *	2/1986	Samson et al.	.....	D8/373
5,090,645	A	2/1992	Zuercher		
5,141,185	A	8/1992	Rumbold et al.		
5,188,318	A	2/1993	Newcomer et al.		
5,189,766	A	3/1993	Weber		
5,223,675	A	6/1993	Taft		
D427,896	S *	7/2000	Pezzella	.....	D8/390
D429,628	S *	8/2000	Peters	.....	D8/390
6,113,332	A	9/2000	Hill		
7,071,418	B2	7/2006	Brockman et al.		

\* cited by examiner

*Primary Examiner*—Holly H Baynham

*Assistant Examiner*—Sheryl Lane

(74) *Attorney, Agent, or Firm*—Snyder, Clark, Lesch & Chung, LLP

(57) **CLAIM**

The ornamental design of a cable staple, as shown and described.

**DESCRIPTION**

FIG. 1 is a top perspective view of the cable staple of the present invention;

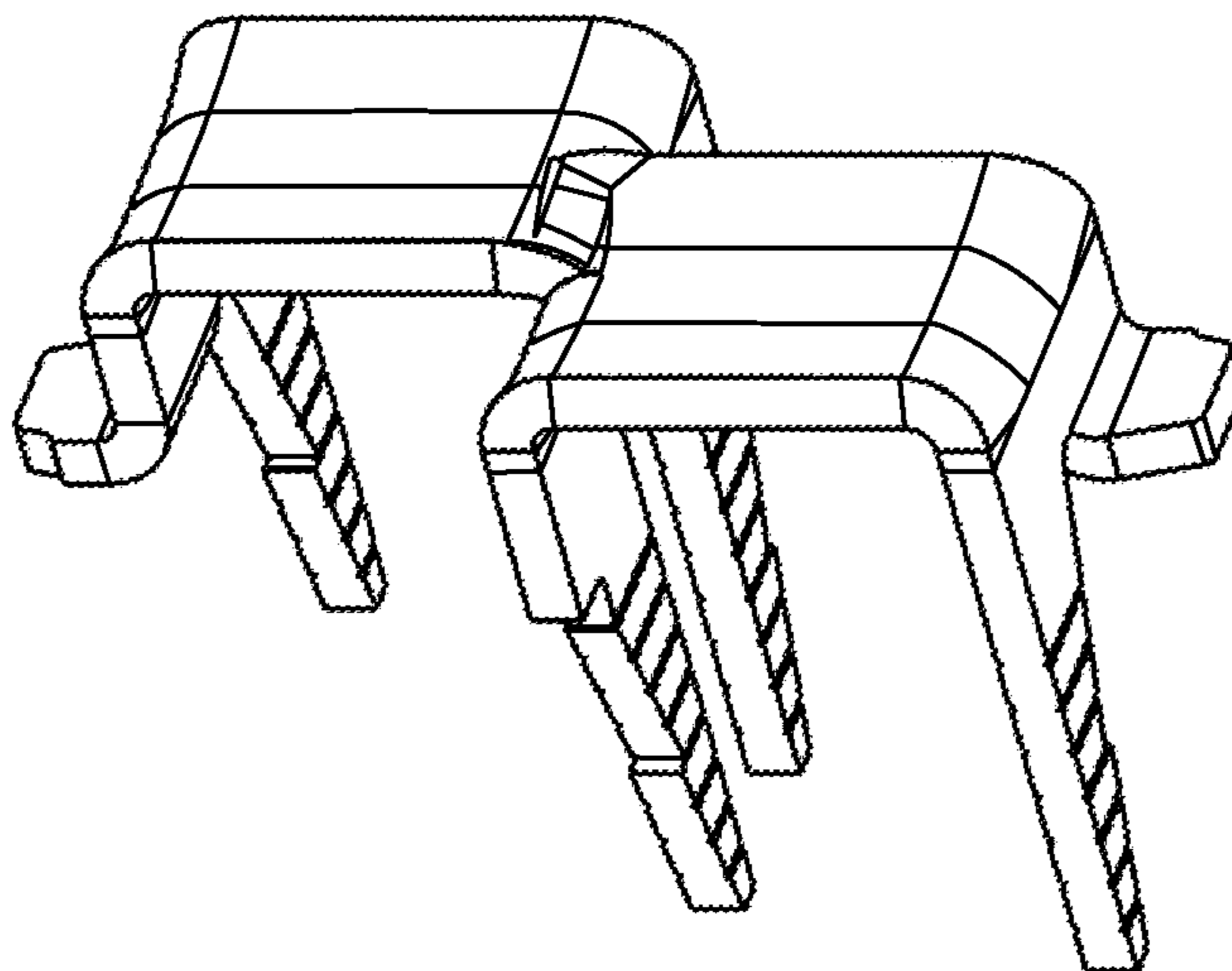
FIG. 2 is a bottom perspective view of the cable staple of FIG. 1;

FIG. 3 is a top plan view of the cable staple of FIG. 1;

FIG. 4 is a front plan view of the cable staple of FIG. 1; and,

FIG. 5 is a side elevational view of the cable staple of FIG. 1.

**1 Claim, 2 Drawing Sheets**



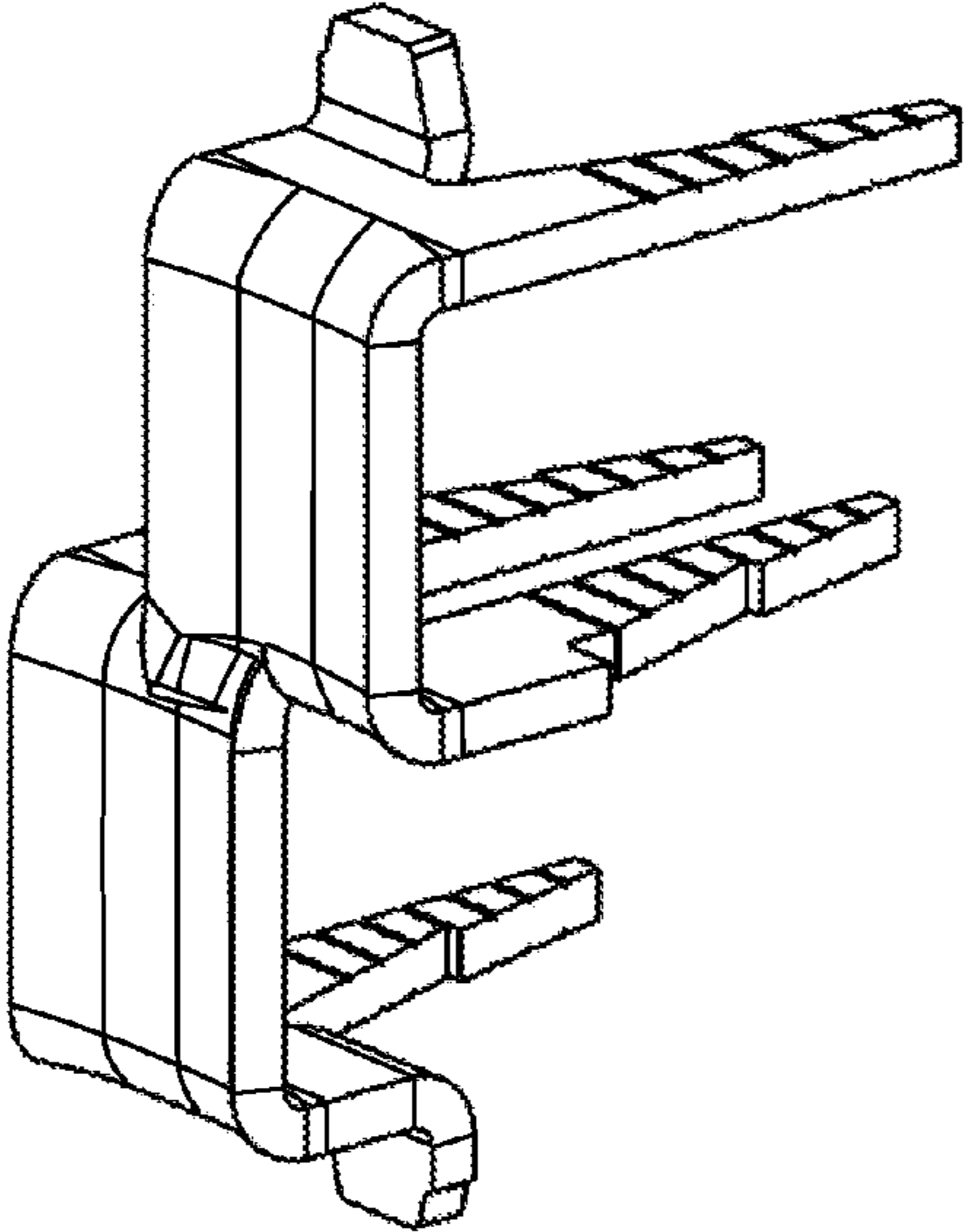


FIG. 1

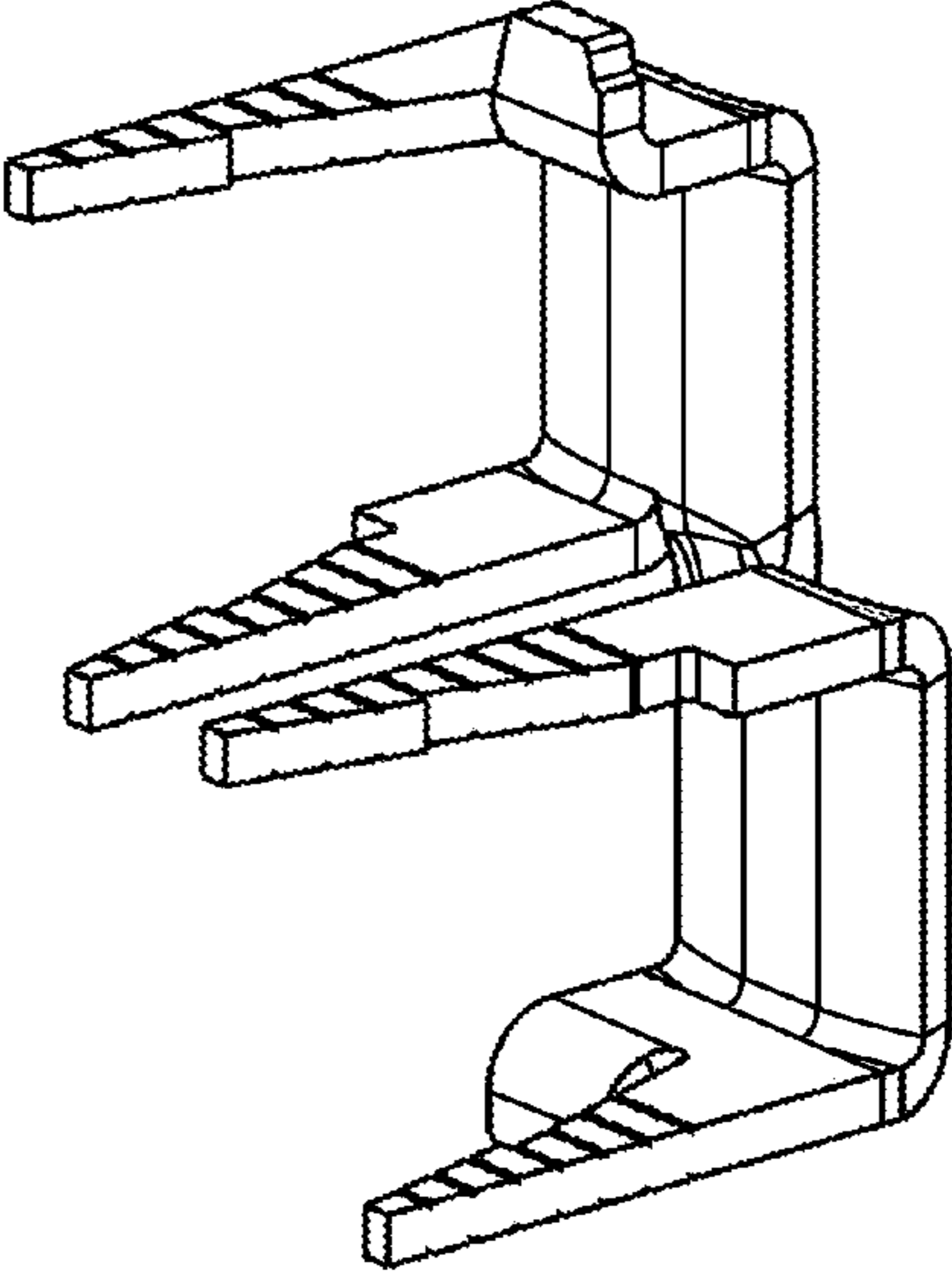


FIG. 2

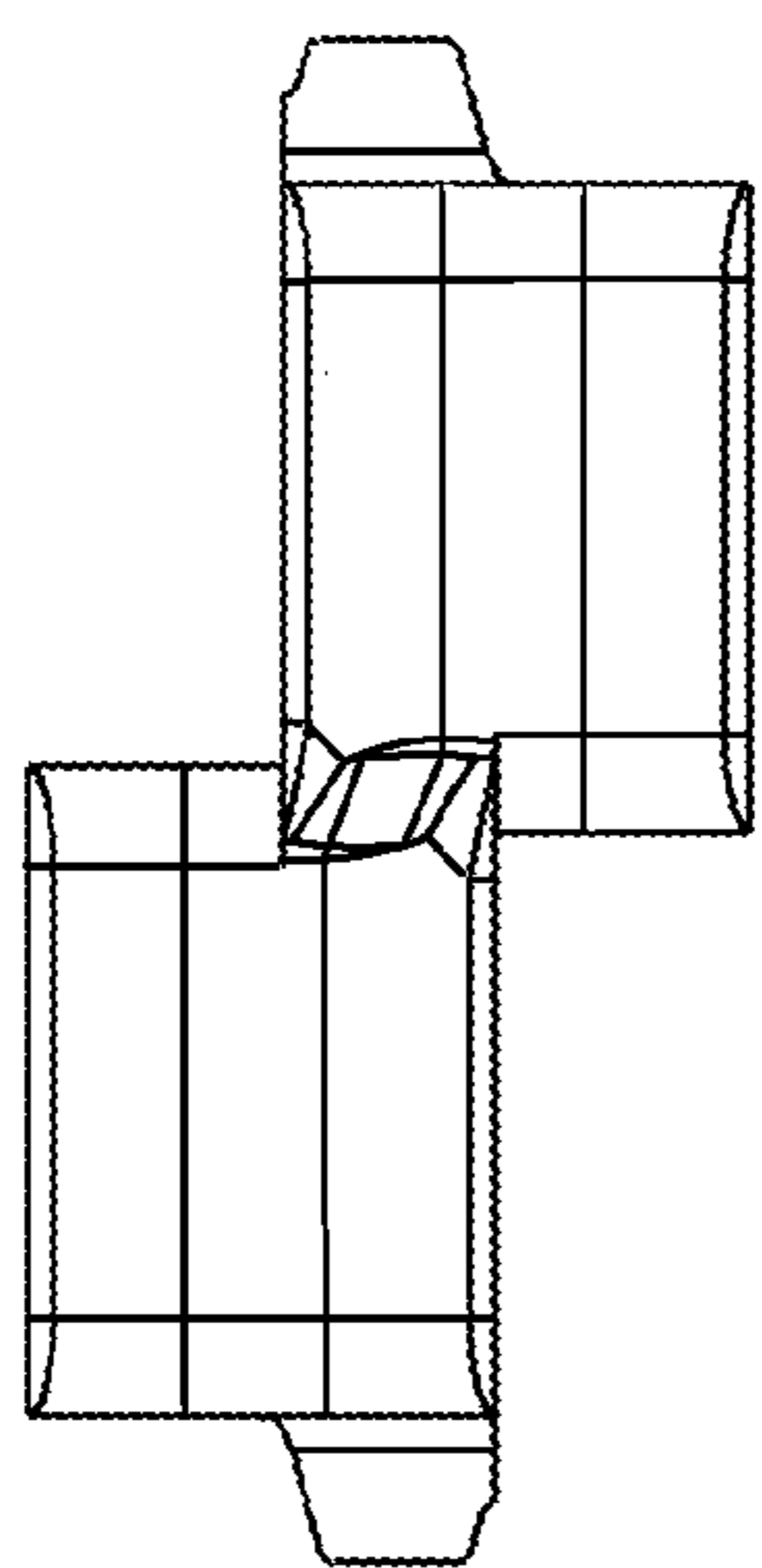


FIG. 3

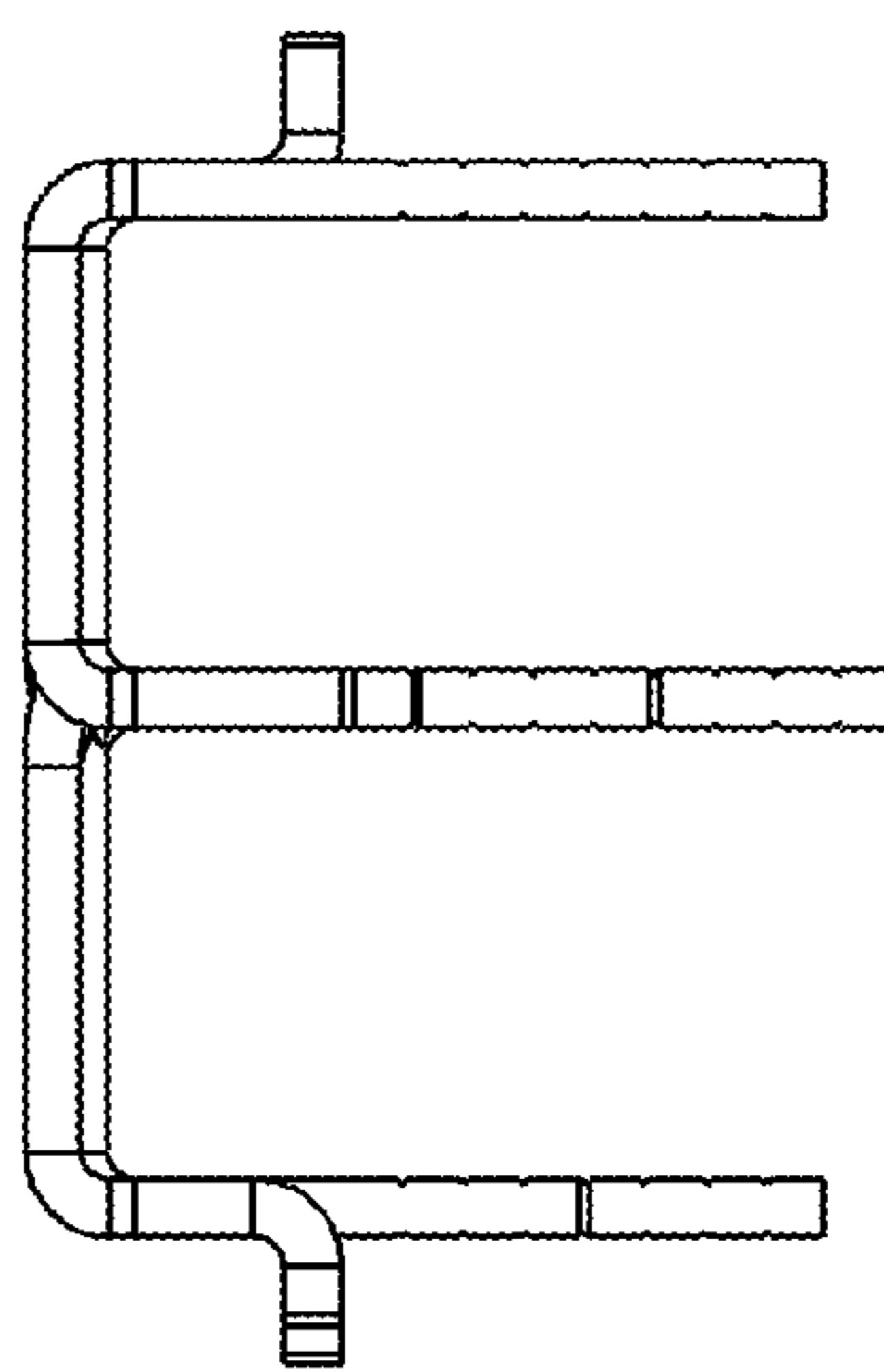


FIG. 4

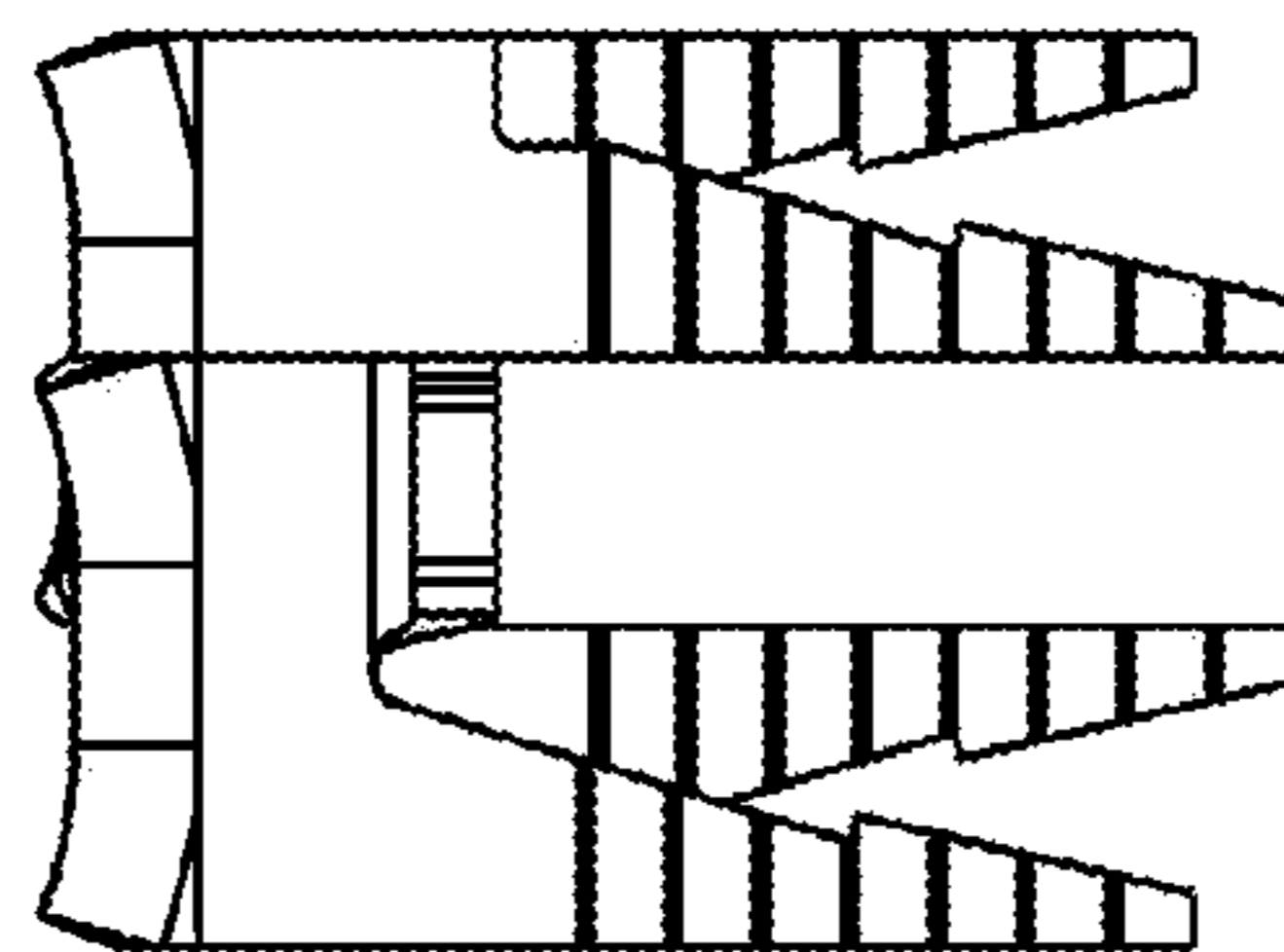


FIG. 5