



US00D625589S

(12) **United States Design Patent**
Norris et al.

(10) **Patent No.:** **US D625,589 S**
(45) **Date of Patent:** **** Oct. 19, 2010**

(54) **STRUCTURAL COMPONENT OF CLIP FOR HOLDING THIN FILM SOLAR PANELS**

(74) *Attorney, Agent, or Firm*—Tarolli, Sundheim, Covell & Tummino LLP

(75) Inventors: **Roger Norris**, Mentor-on-the-Lake, OH (US); **Richard Baranowski**, Scottsdale, AZ (US)

(57) **CLAIM**

We claim the ornamental design for a structural component of clip for holding thin film solar panels, as shown and described.

(73) Assignee: **OMCO Holdings, Inc.**, Wickliffe, OH (US)

(**) Term: **14 Years**

DESCRIPTION

(21) Appl. No.: **29/351,327**

(22) Filed: **Dec. 3, 2009**

(51) **LOC (9) Cl.** **08-08**

(52) **U.S. Cl.** **D8/382**

(58) **Field of Classification Search** D8/382,
D8/349, 395; D25/119; 403/363, 357, 381,
403/278, 279, 403; 405/70; 24/346, 573.09;
D23/262

See application file for complete search history.

FIG. 1 is an upper perspective view of a structural component of clip of the present disclosure with broken lines showing portions of the clip and a thin film solar panel that form no part of the claimed design;

FIG. 2 is an upper perspective view of the structural component of clip shown in FIG. 1;

FIG. 3 is a lower perspective view of the structural component of clip shown in FIG. 1;

FIG. 4 is a back elevation view of the structural component of clip shown in FIG. 1;

FIG. 5 is a front elevation view of the structural component of clip shown in FIG. 1;

FIG. 6 is a right side elevation view of the structural component of clip shown in FIG. 1, the left side elevation view being a mirror image of the right side elevation view;

FIG. 7 is a top plan view of the structural component of clip shown in FIG. 1; and,

FIG. 8 is a bottom plan view of the structural component of clip shown in FIG. 1.

The broken lines in FIGS. 1 and 6 are included for the purpose of illustrating portions of the clip and a thin film solar panel that form no part of the claimed design.

The claim has been shown broken away to indicate an indefinite length.

(56) **References Cited**

U.S. PATENT DOCUMENTS

D349,231 S *	8/1994	Cislo	D8/349
D374,811 S *	10/1996	Miyashita	D8/382
D375,040 S *	10/1996	Miyashita	D8/382
D432,671 S *	10/2000	Grosfillex	D25/119

(Continued)

OTHER PUBLICATIONS

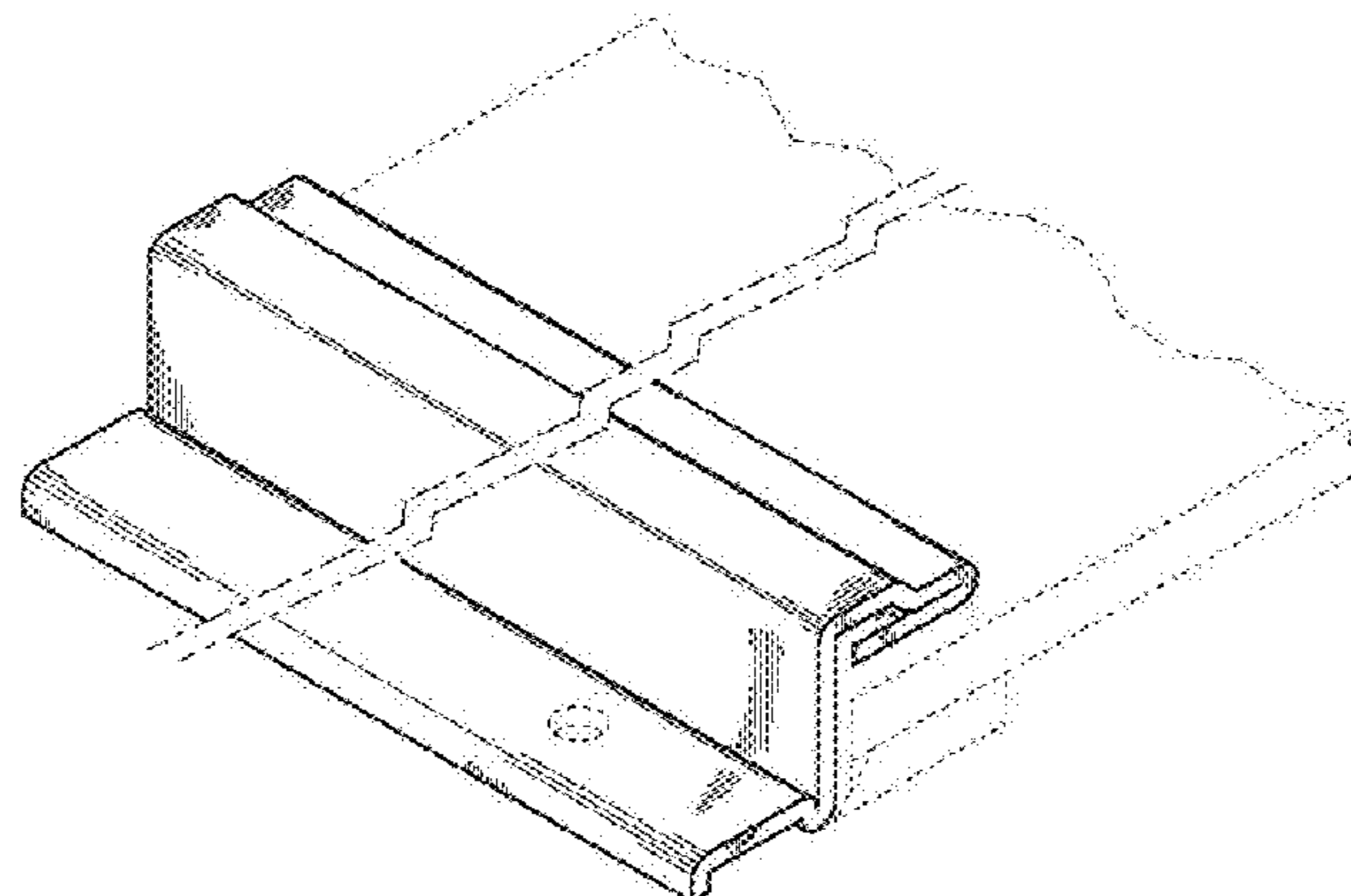
Six (6) pages of twelve (12) photographs of a half (single) clip manufactured by Northern States Metals, P.O. Box 270666, West Hartford, CT 06127. Some of the foregoing photographs include an insert mounted in the clip. Upon information and belief, the Northern States' half (single) clip shown in the photographs is prior art to Applicants' invention.

(Continued)

Primary Examiner—Holly H Baynham

Assistant Examiner—Sheryl Lane

1 Claim, 2 Drawing Sheets



US D625,589 S

Page 2

U.S. PATENT DOCUMENTS

D547,642 S * 7/2007 Urmson et al. D8/382
D556,560 S * 12/2007 Tsuda D8/382
D573,268 S * 7/2008 Lundsgaard et al. D25/119
D575,139 S * 8/2008 LePoire et al. D8/349
D580,260 S * 11/2008 Collins et al. D8/382
D582,569 S * 12/2008 Moreau D25/119
D592,487 S * 5/2009 Tedesco et al. D8/349
D600,105 S * 9/2009 Harris D8/382
D600,533 S * 9/2009 Cole et al. D8/349

D601,000 S * 9/2009 Cole et al. D8/349

OTHER PUBLICATIONS

Seven (7) pages of printouts of fourteen (14) photographs of a full (double) clip and a half (single) clip, manufactured by Northern States Metals, P.O. Box 270666, West Hartford, CT 06127. Some of the foregoing photographs include inserts mounted in respective clips. Upon information and belief, the Northern States' full (double) and half (single) clips shown in the photographs are prior art to Applicants' invention.

* cited by examiner

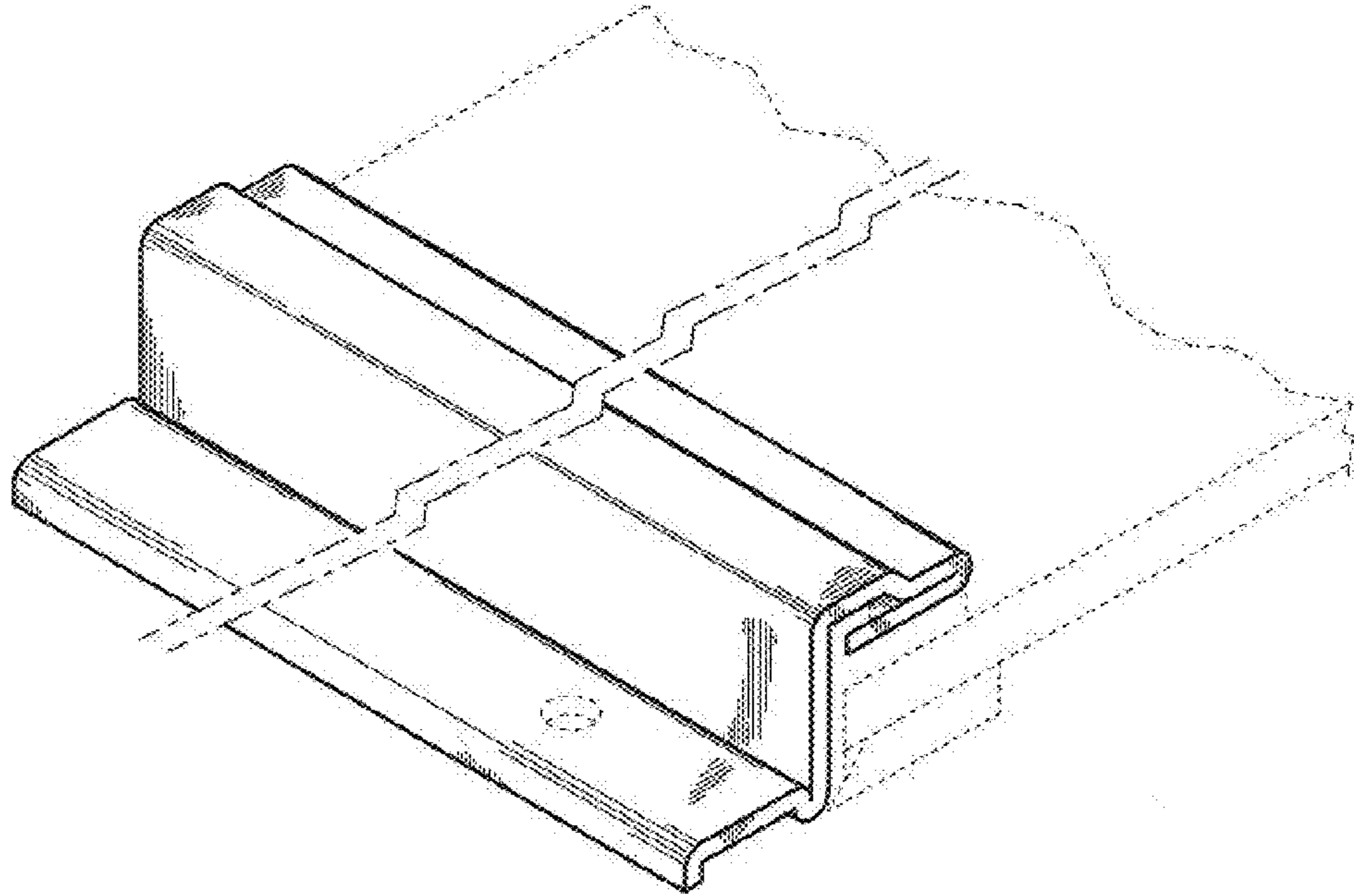


Fig. 1

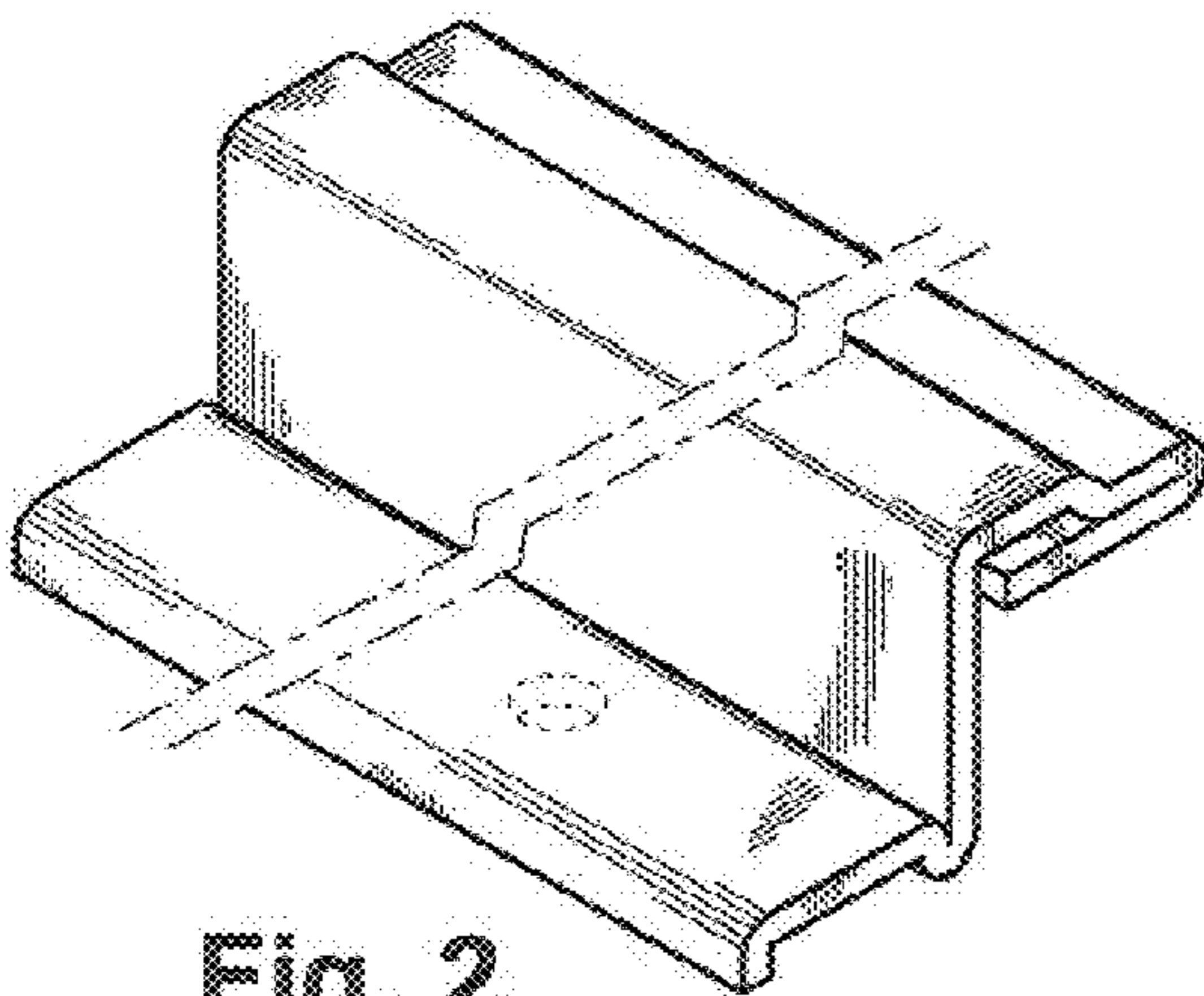


Fig. 2

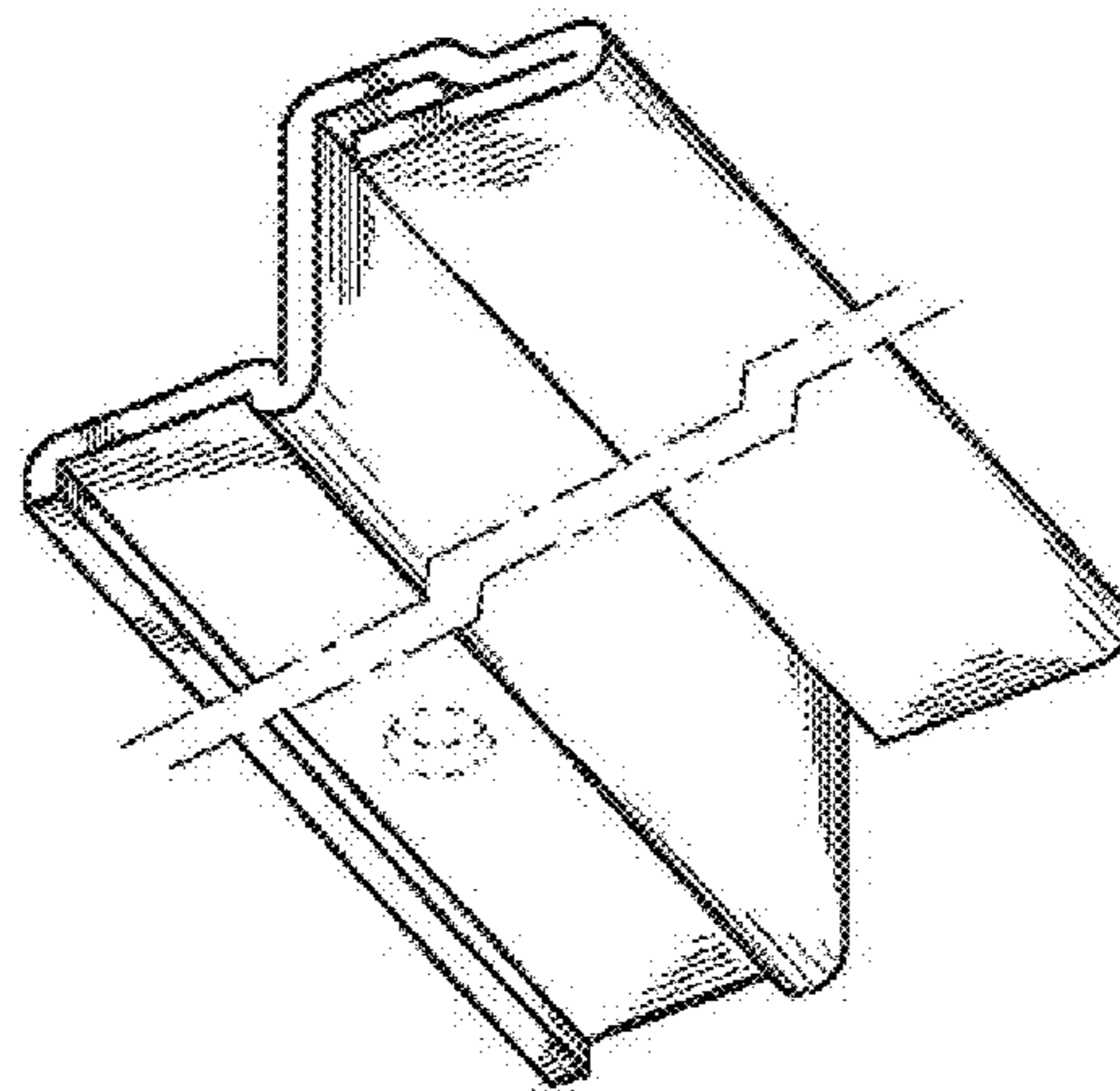


Fig. 3

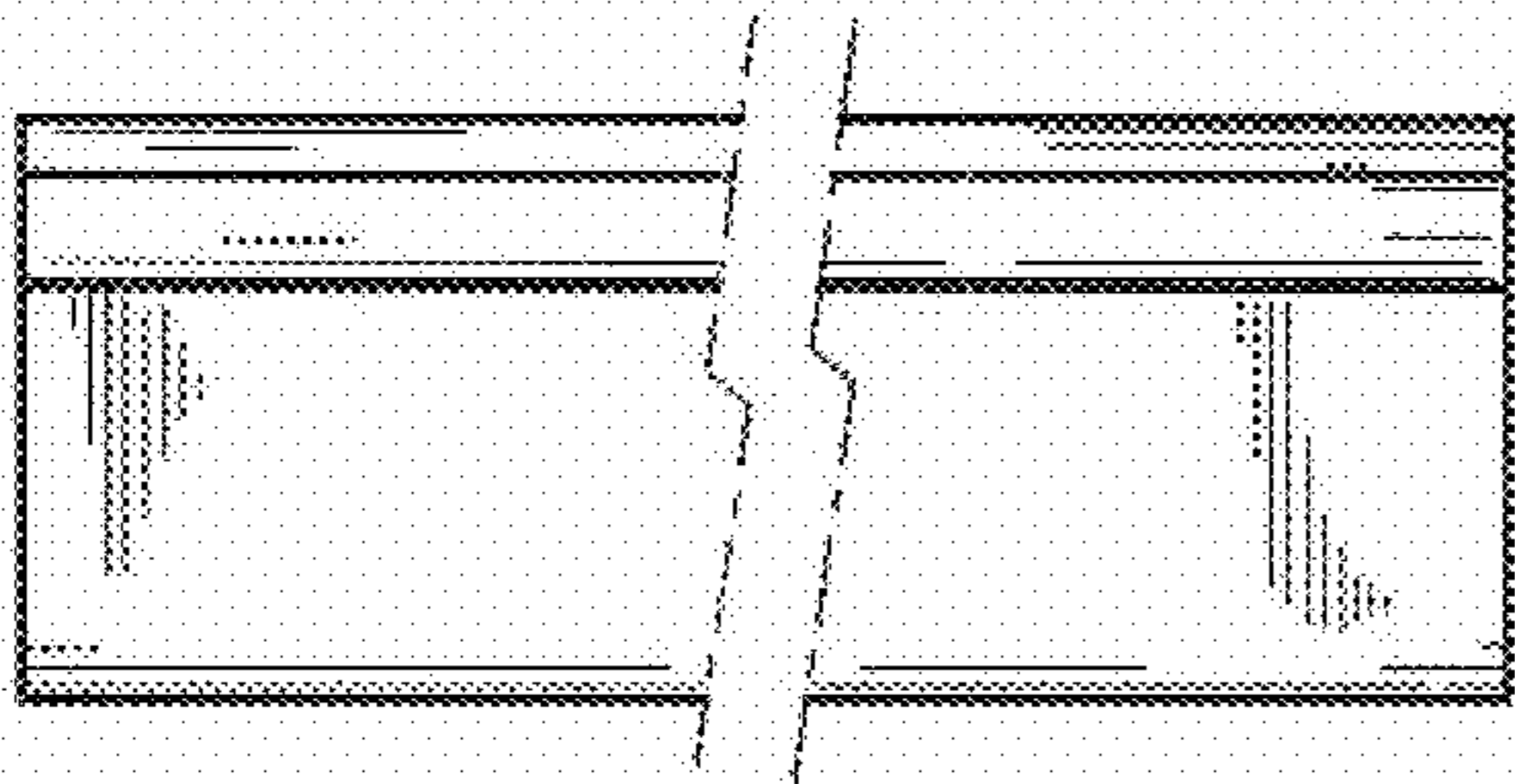


Fig. 4

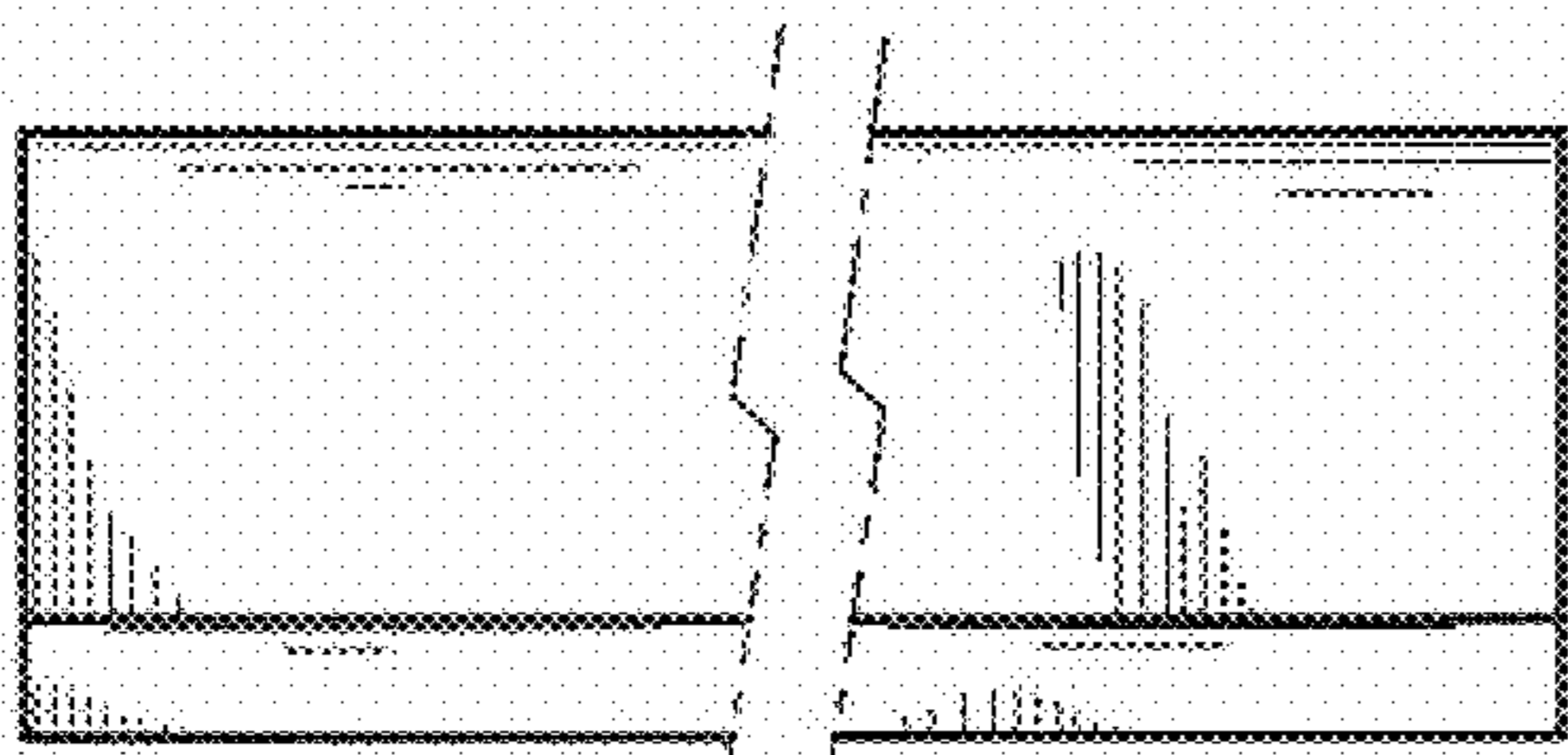


Fig. 5

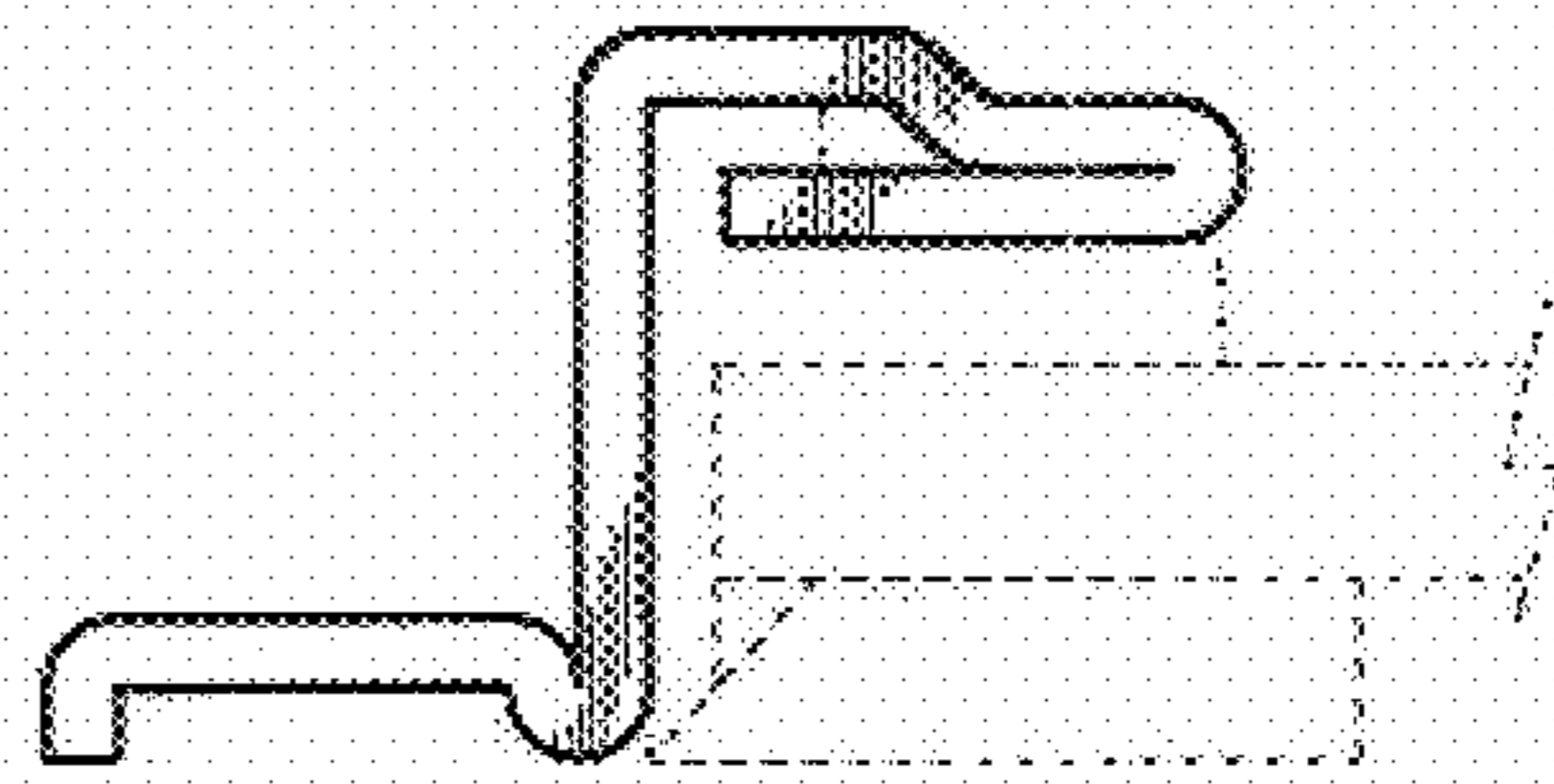


Fig. 6

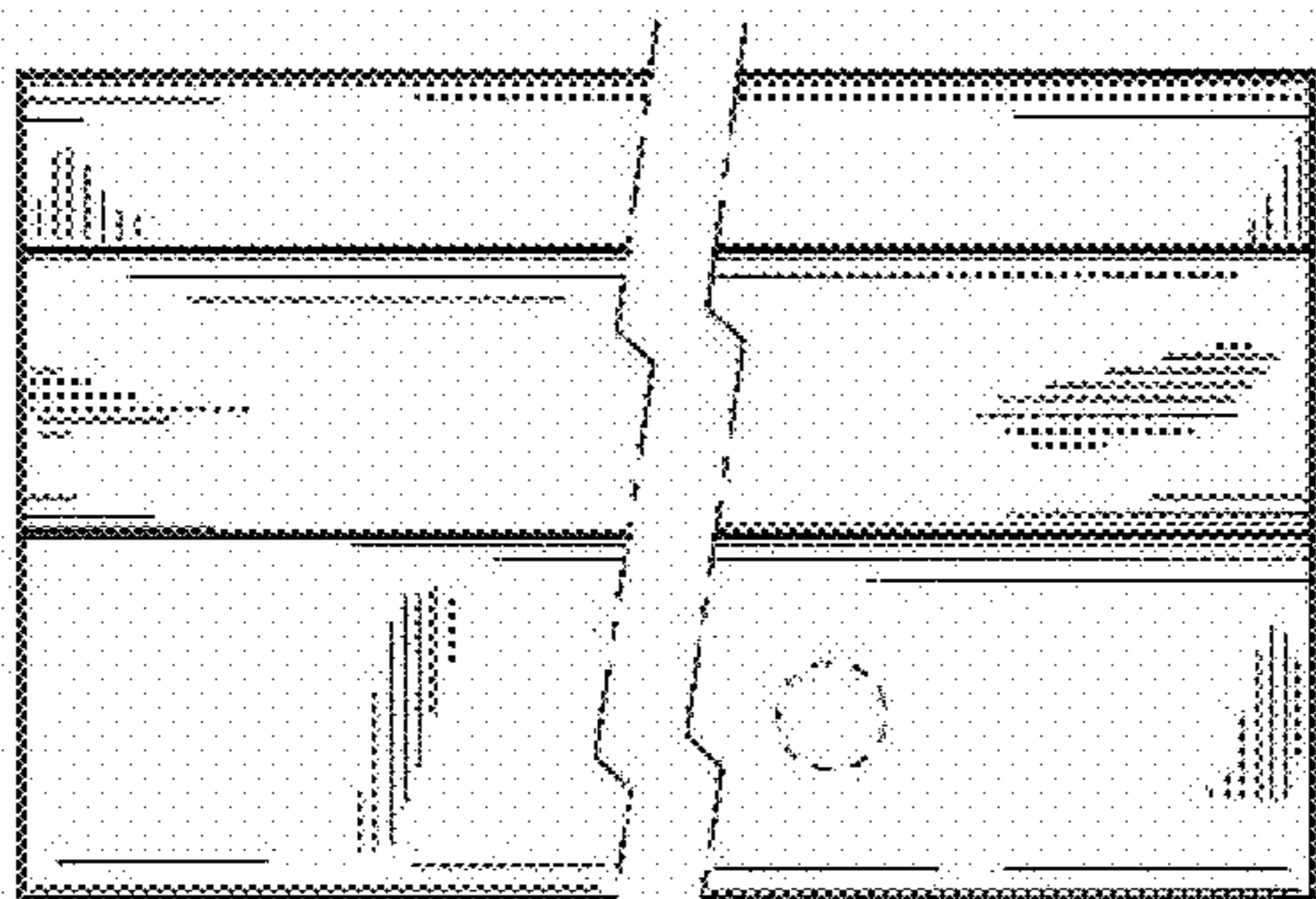


Fig. 7

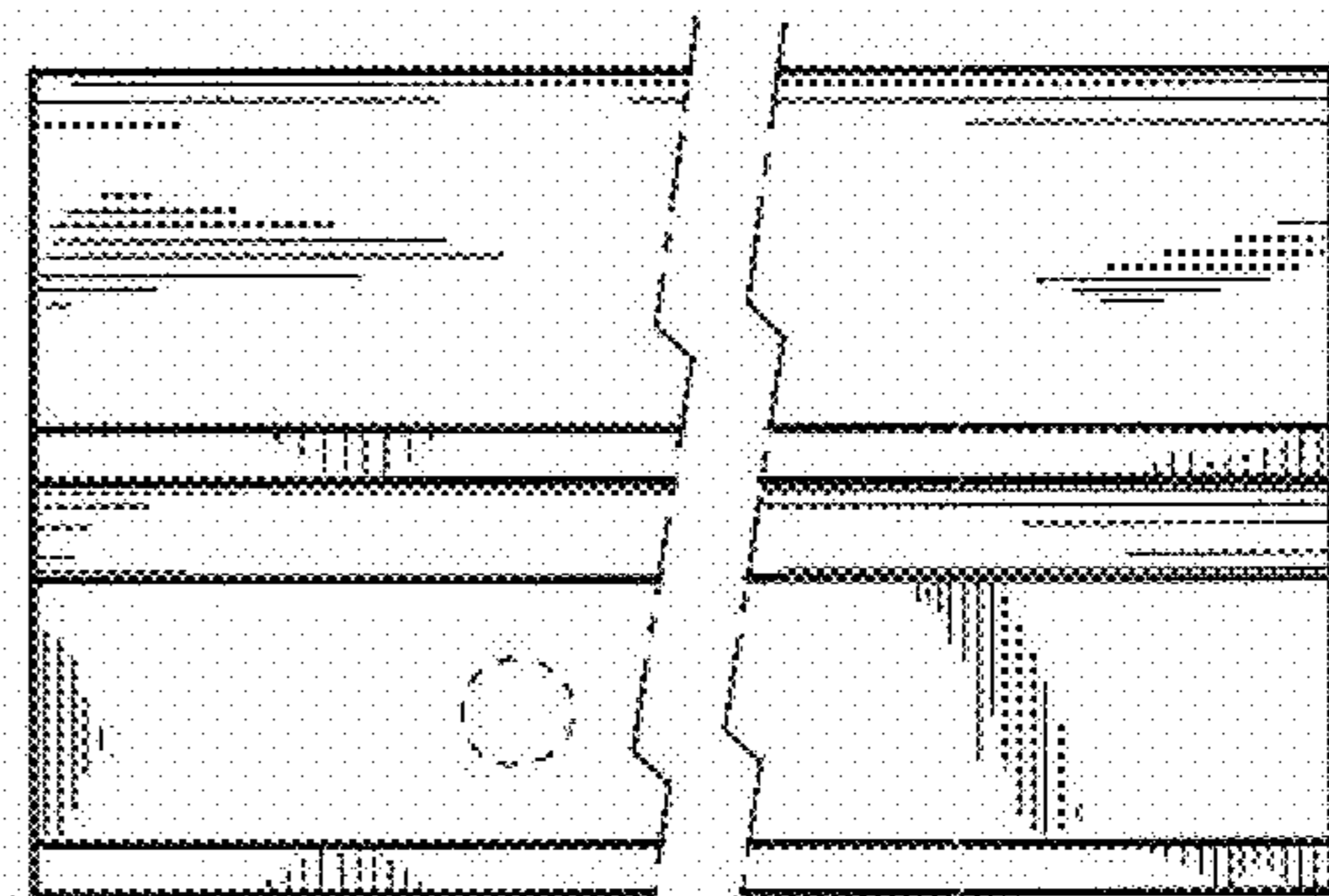


Fig. 8