



US00D625586S

(12) **United States Design Patent**
Kramer

(10) **Patent No.:** **US D625,586 S**

(45) **Date of Patent:** **** Oct. 19, 2010**

(54) **SEISMIC PIPE HANGER**

(76) **Inventor:** **Michael J. Kramer**, 5225 Caribee Dr.,
St. Louis, MO (US) 63128

(**) **Term:** **14 Years**

(21) **Appl. No.:** **29/313,640**

(22) **Filed:** **Jan. 28, 2009**

(51) **LOC (9) Cl.** **08-05**

(52) **U.S. Cl.** **D8/380**

(58) **Field of Classification Search** D8/373,
D8/380, 396; 248/62-63, 65

See application file for complete search history.

(56) **References Cited**

U.S. PATENT DOCUMENTS

2,714,497	A *	8/1955	Denis	248/62
3,051,424	A *	8/1962	Duhamel	248/62
3,652,045	A *	3/1972	Hirt	248/62
4,146,203	A *	3/1979	Williams	248/62
D330,672	S *	11/1992	Wilkinson, III	D8/373
D380,144	S *	6/1997	Lew	D8/380
6,138,960	A *	10/2000	Carbonare et al.	248/62
7,284,728	B2 *	10/2007	Connolly	248/62

OTHER PUBLICATIONS

Cooper B-Line, Inc. Year 2010 Pipe Hangers & Supports product catalog, pp. 40-46, available at <http://www.b-line.com/product/PDFLibrary/hangers.asp/Hangers.pdf>, Place of publication, Cooper B-Line, Inc., Highland, IL, USA, Published Year 2009 ✓.

* cited by examiner

Primary Examiner—Holly H Baynham

(74) *Attorney, Agent, or Firm*—Kevin L. Klug

(57) **CLAIM**

The ornamental design for a seismic pipe hanger, as shown and described.

DESCRIPTION

FIG. 1 is a front right perspective view of a seismic pipe hanger;

FIG. 2 is a front side plan view thereof;

FIG. 3 is a rear side plan view thereof;

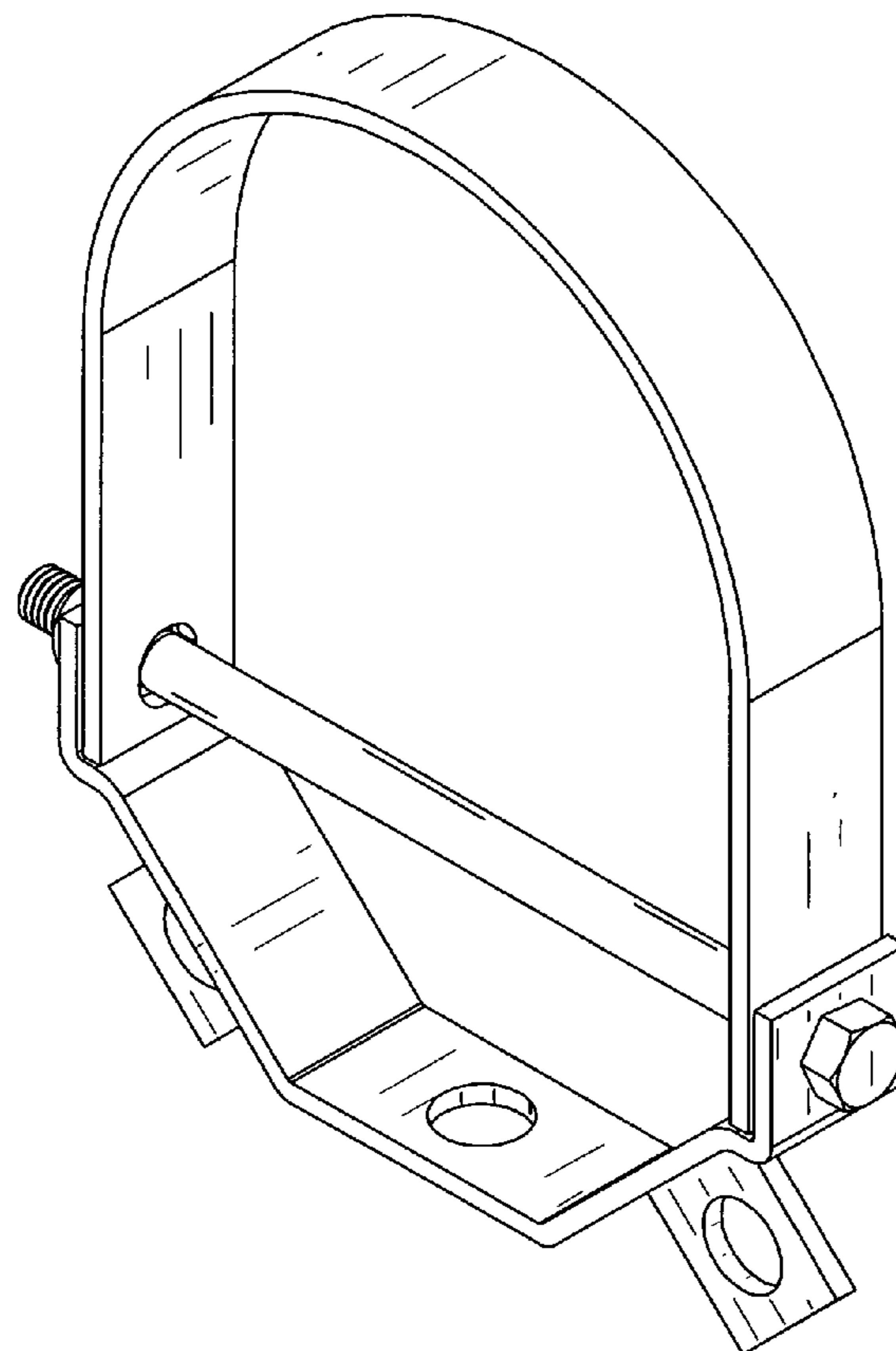
FIG. 4 is a right side plan view thereof;

FIG. 5 is a left side plan view thereof;

FIG. 6 is a top side plan view thereof; and,

FIG. 7 is a bottom side plan view thereof.

1 Claim, 5 Drawing Sheets



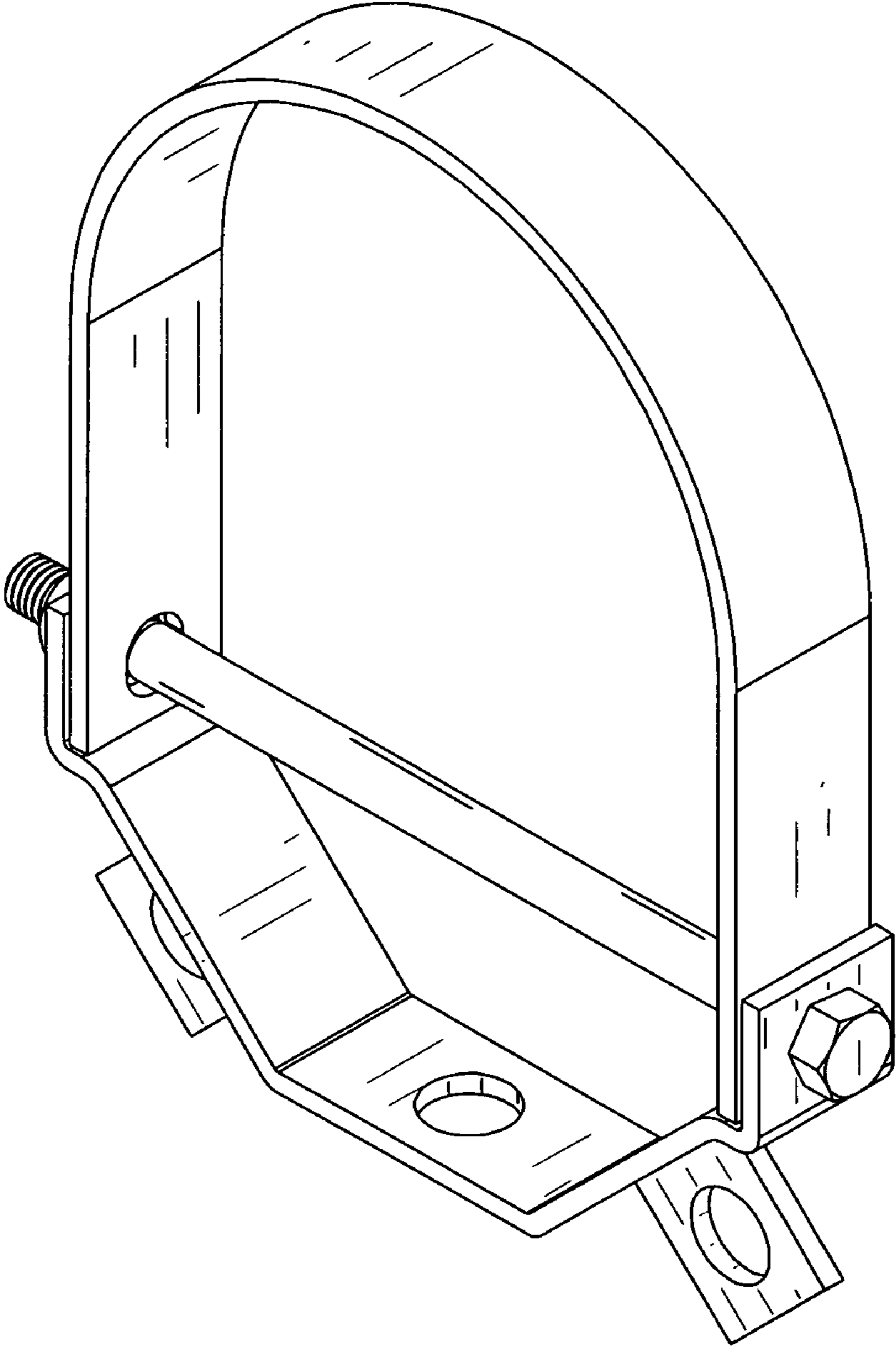


Fig. 1

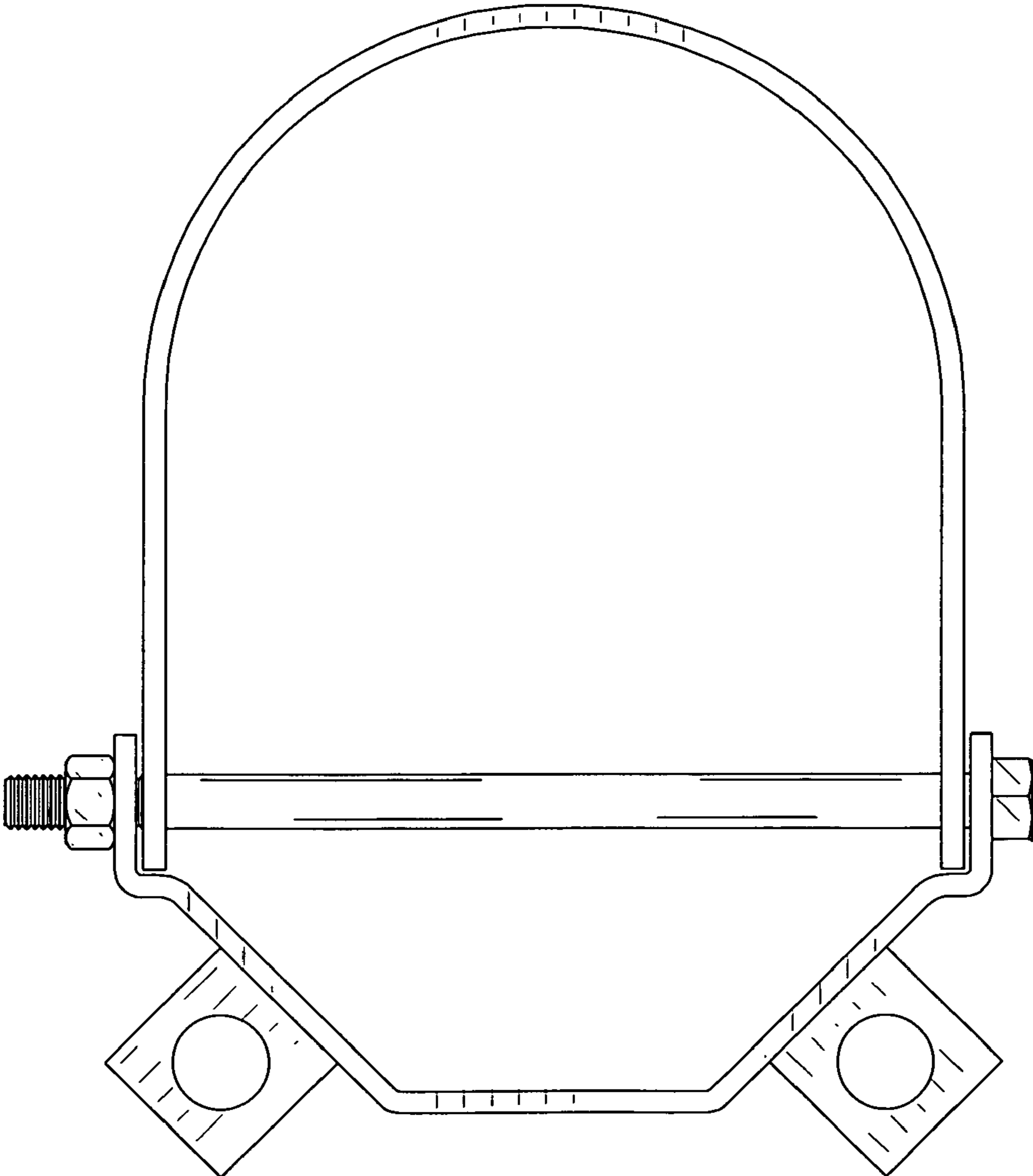


Fig. 2

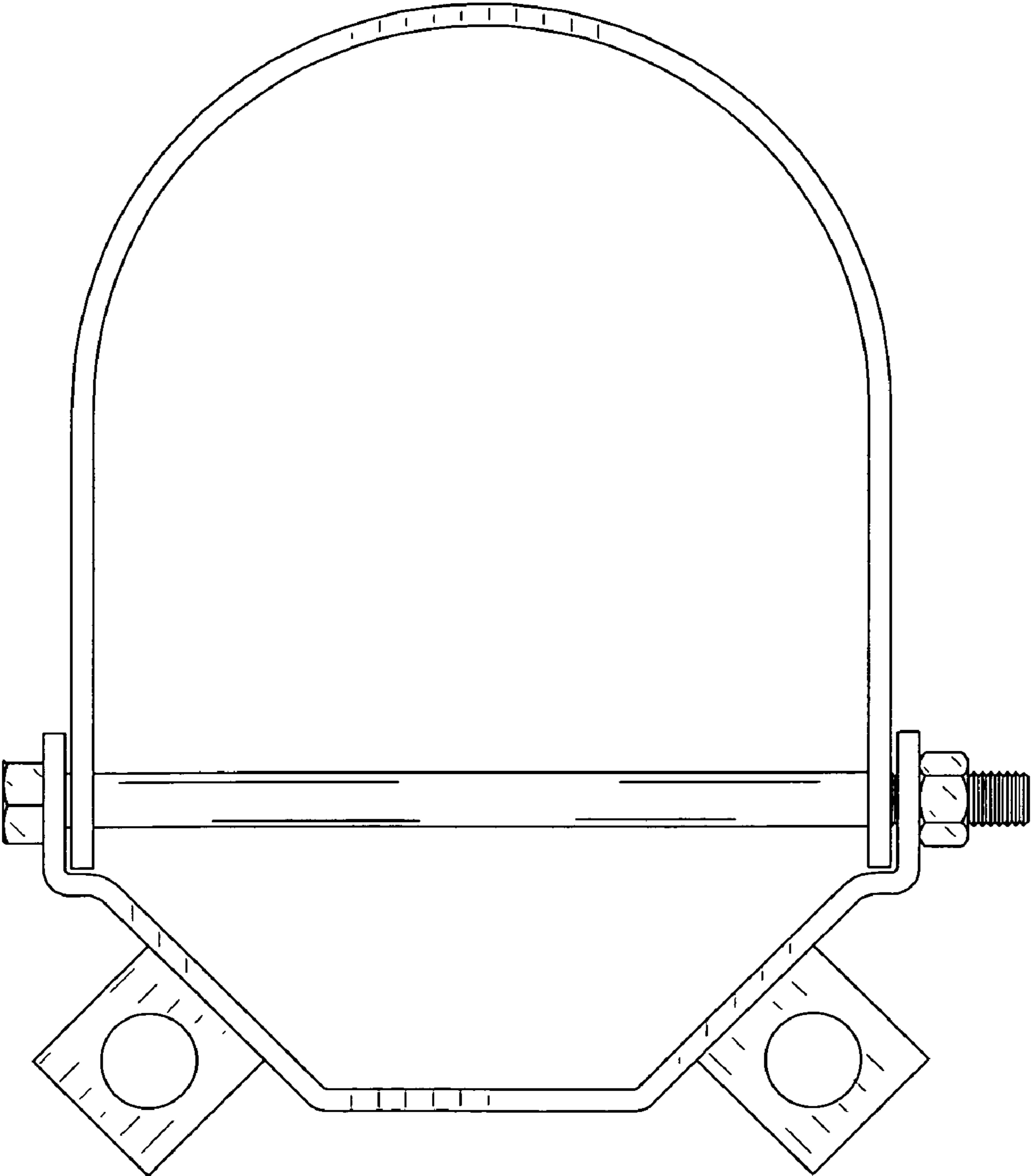


Fig. 3

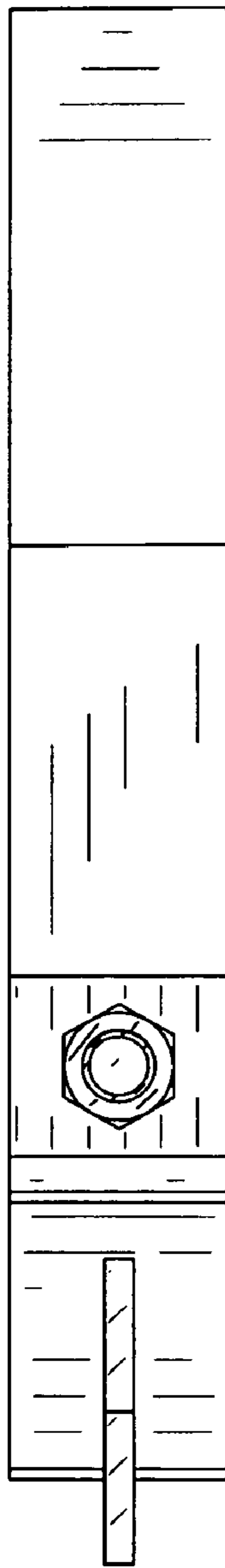


Fig. 4

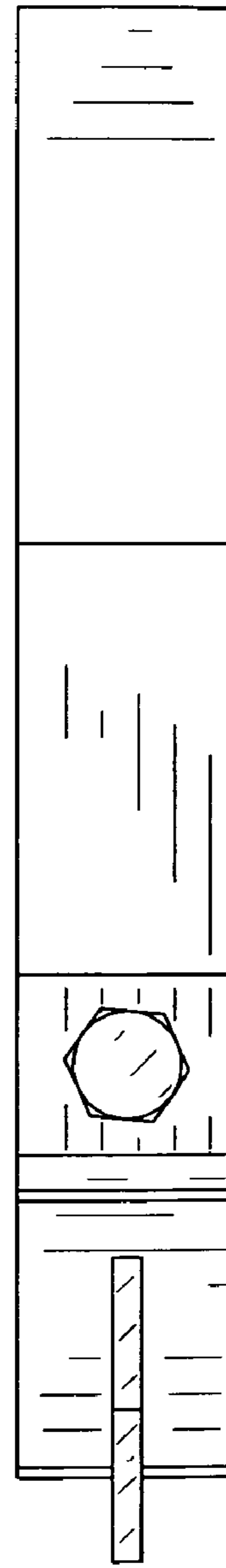


Fig. 5

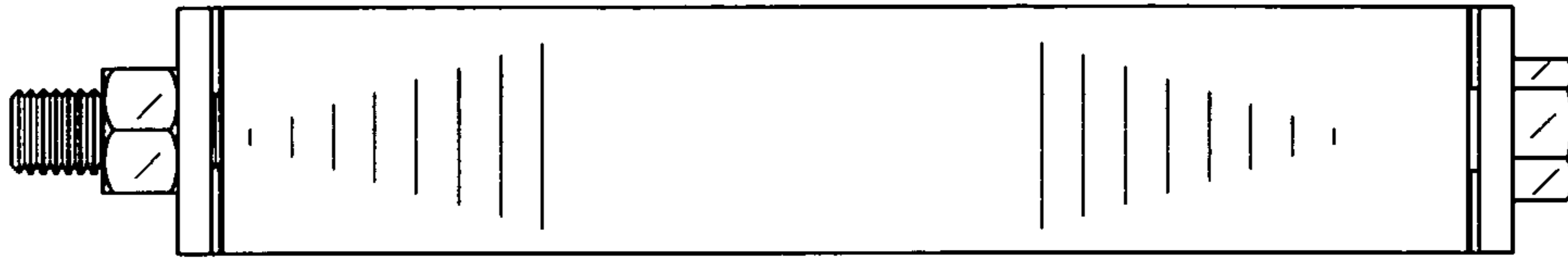


Fig. 6

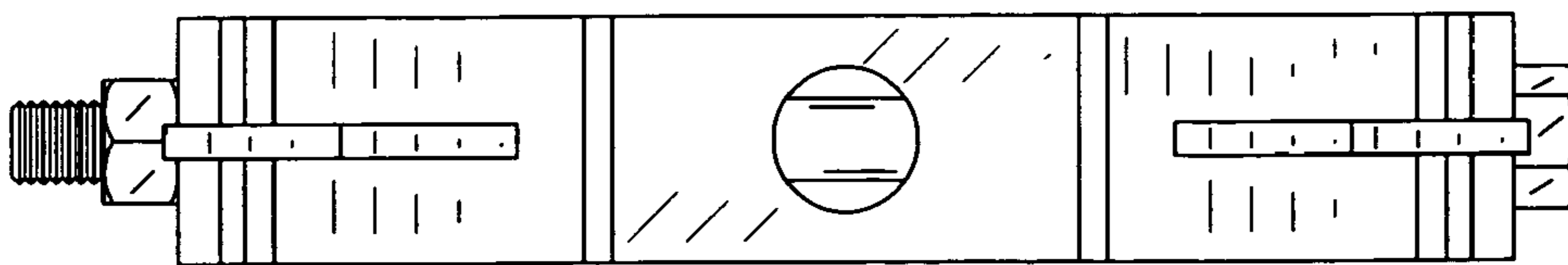


Fig. 7