



US00D625584S

(12) **United States Design Patent**  
**Goodman et al.**

(10) **Patent No.:** **US D625,584 S**  
(45) **Date of Patent:** **\*\* Oct. 19, 2010**

(54) **HOOK FOR SURFACE AND OVER-THE-DOOR MOUNTING**

(75) Inventors: **Sheldon H. Goodman**, Solon, OH (US);  
**Omer I. Sazir**, Cleveland, OH (US);  
**Patrick Triato**, Tremont, OH (US)

(73) Assignee: **Spectrum Diversified Designs, Inc.**,  
Streetsboro, OH (US)

(\*\*) Term: **14 Years**

(21) Appl. No.: **29/341,409**

(22) Filed: **Aug. 5, 2009**

(51) **LOC (9) Cl.** ..... **08-05**

(52) **U.S. Cl.** ..... **D8/372**

(58) **Field of Classification Search** ..... D8/372,  
D8/373, 367; 248/262, 547, 214, 216.1,  
248/302; D6/323

See application file for complete search history.

(56) **References Cited**

**U.S. PATENT DOCUMENTS**

D463,730 S	*	10/2002	Snell	.....	D8/367
D465,724 S	*	11/2002	Goodman et al.	.....	D8/367
D479,794 S	*	9/2003	Snell	.....	D8/367
D494,844 S	*	8/2004	Klein et al.	.....	D8/372
D576,021 S	*	9/2008	Goodman et al.	.....	D8/372

\* cited by examiner

*Primary Examiner*—Holly H Baynham

*Assistant Examiner*—Sheryl Lane

(74) *Attorney, Agent, or Firm*—Pearne & Gordon LLP

(57) **CLAIM**

The ornamental design for a hook for surface and over-the-door mounting, as shown and described.

**DESCRIPTION**

FIG. 1 is a perspective view of a hook showing our new design;

FIG. 2 is a bottom plan view thereof;

FIG. 3 is a top plan view thereof;

FIG. 4 is a rear elevational view thereof;

FIG. 5 is a front elevational view thereof;

FIG. 6 is a right side elevational view thereof, the left side elevational view being a mirror image;

FIG. 7 is perspective view of the hook in accordance with FIG. 1, shown in an over-the-door mounting environment.

FIG. 8 is a bottom plan view thereof;

FIG. 9 is a top plan view thereof;

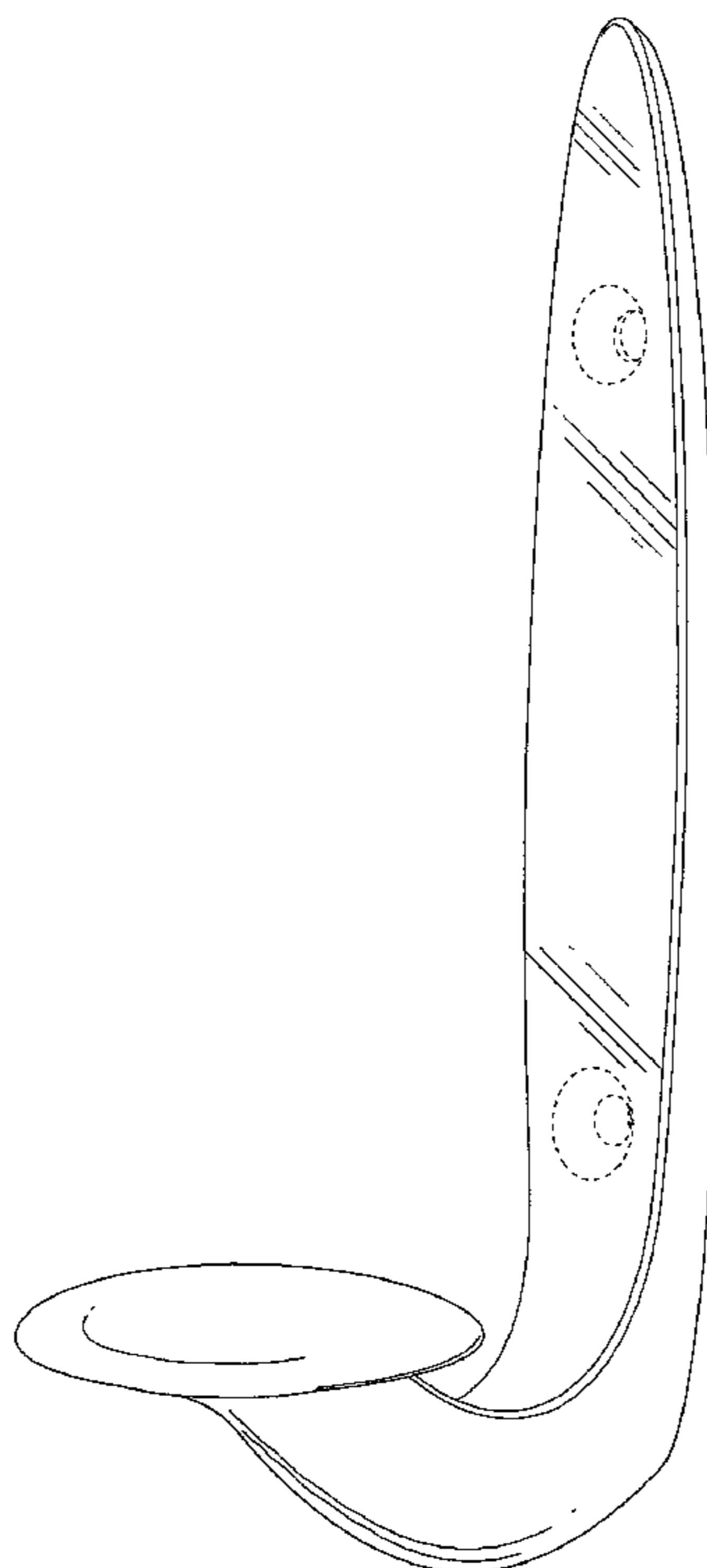
FIG. 10 is a rear elevational view thereof;

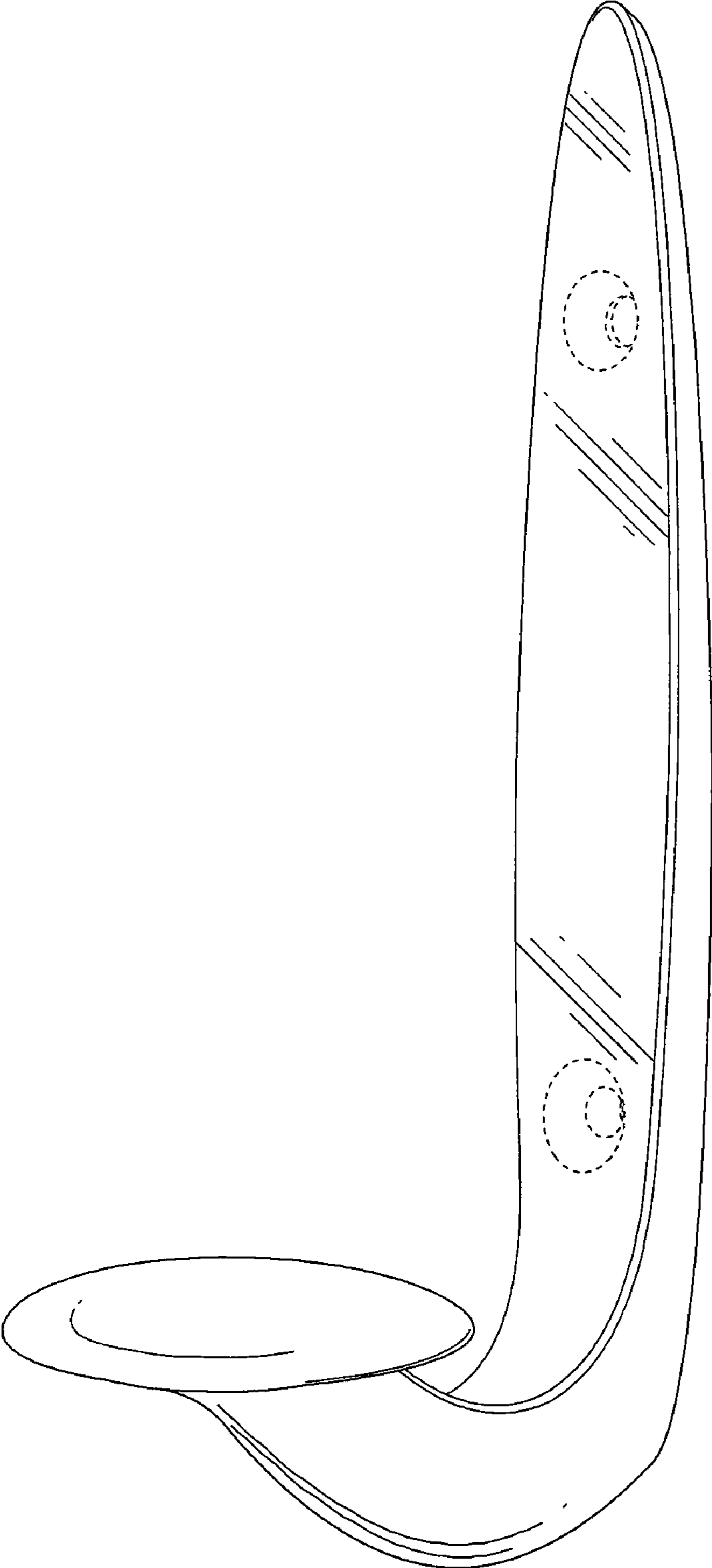
FIG. 11 is a front elevational view thereof; and,

FIG. 12 is a right side elevational view thereof, the left side elevational view being a mirror image.

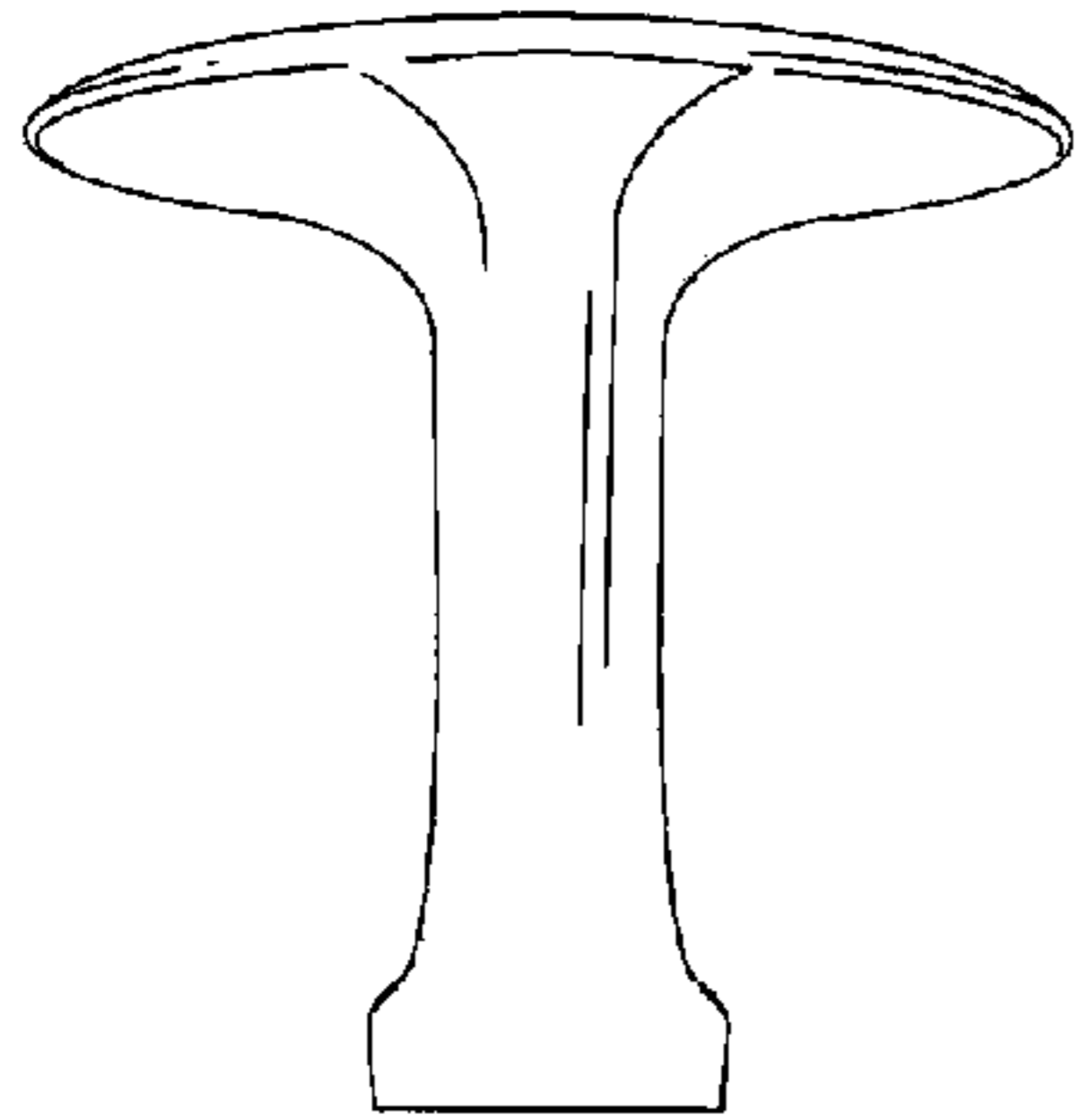
The dotted line showing in the drawings, illustrates environmental matter and forms no part of the claimed design.

**1 Claim, 4 Drawing Sheets**

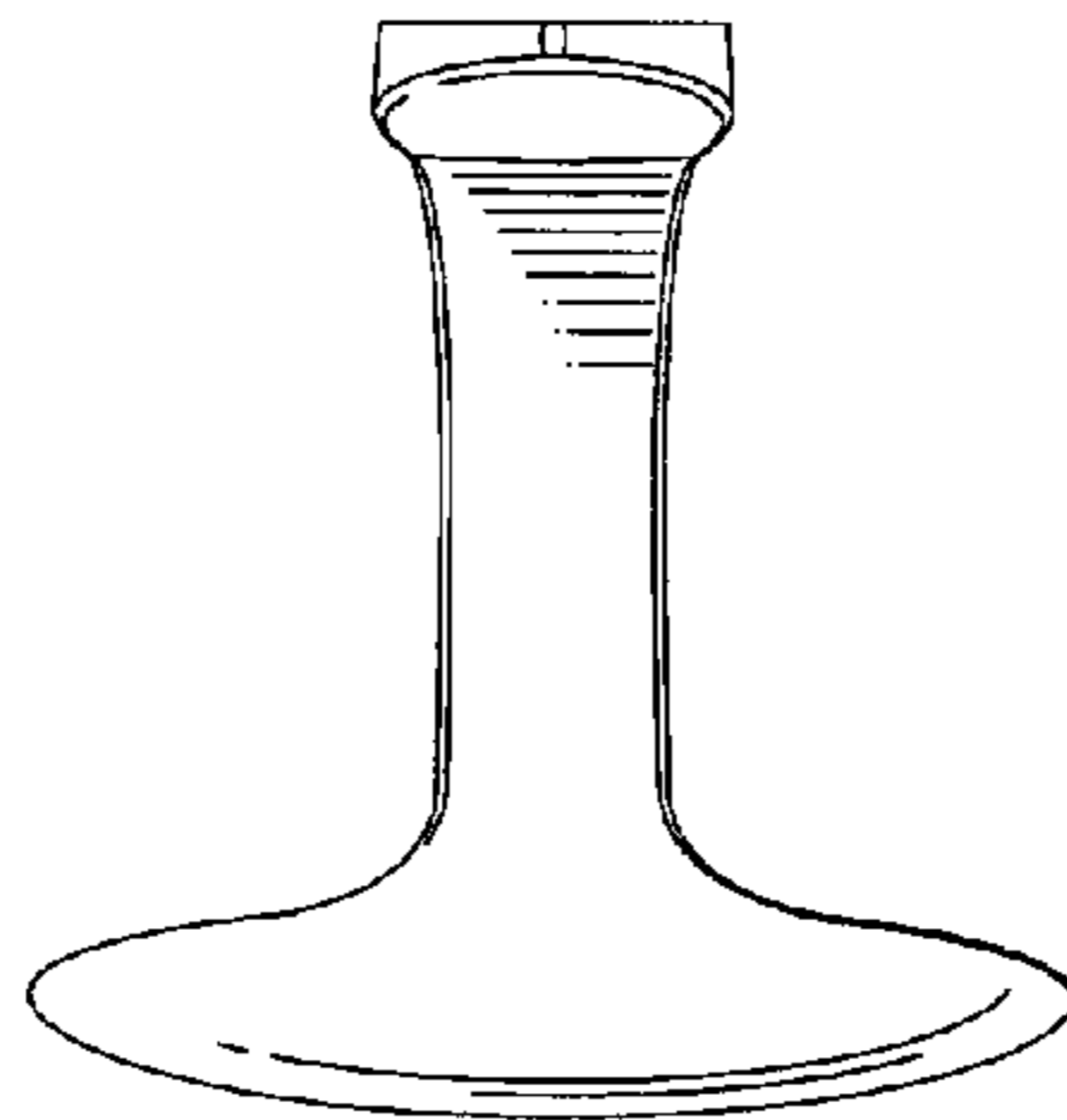




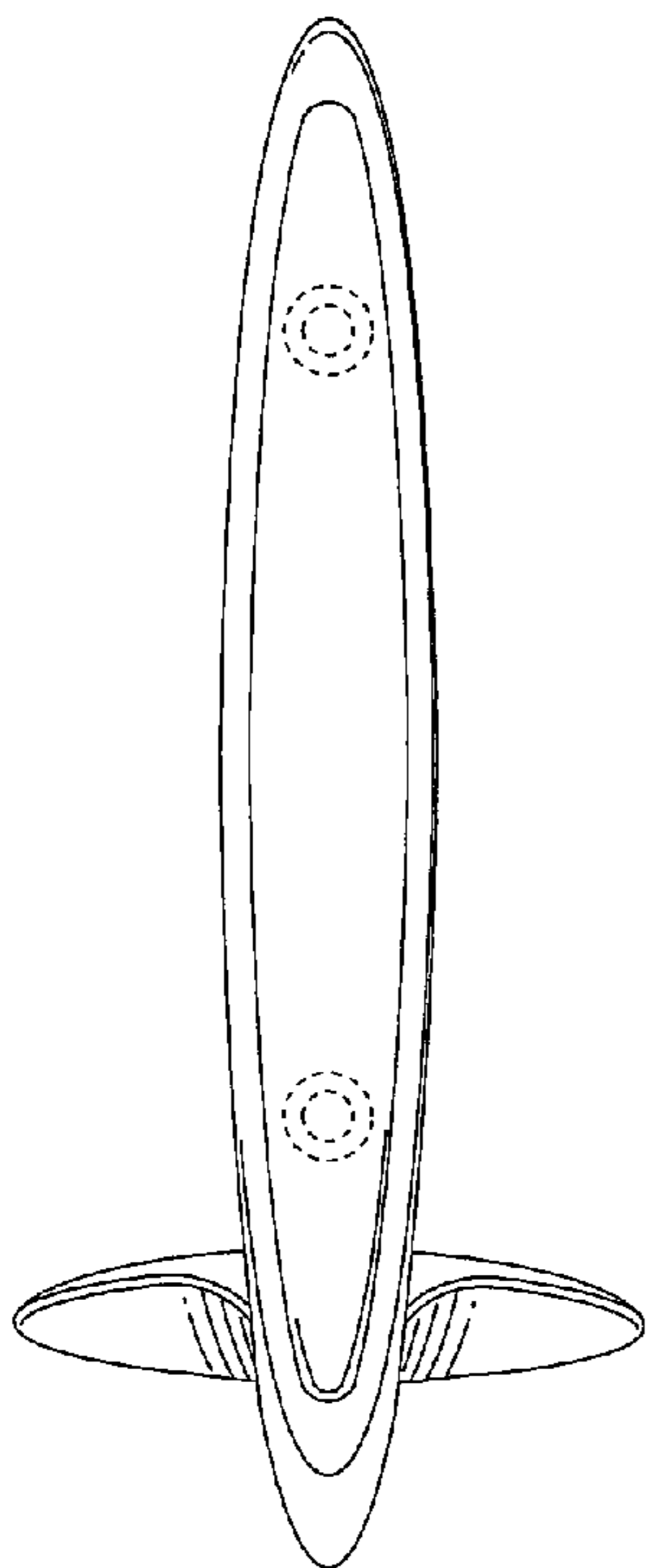
**FIG. 1**



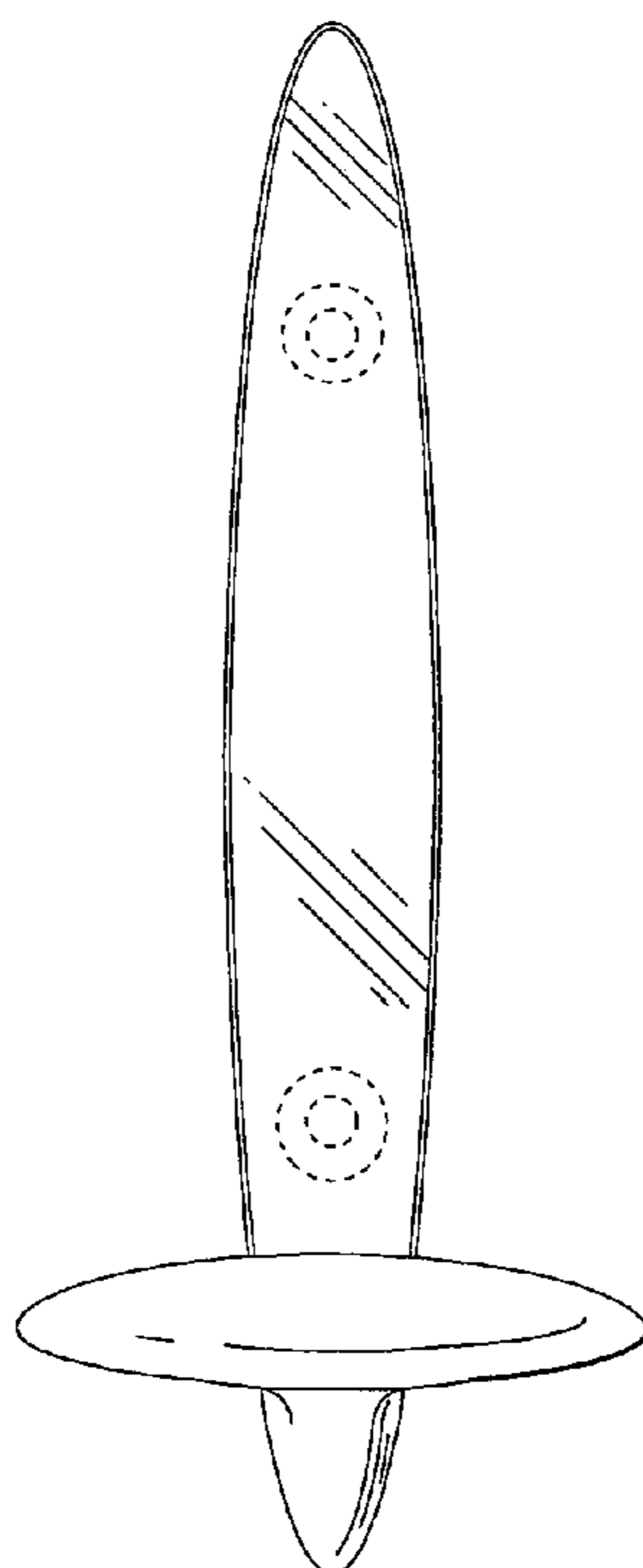
**FIG. 2**



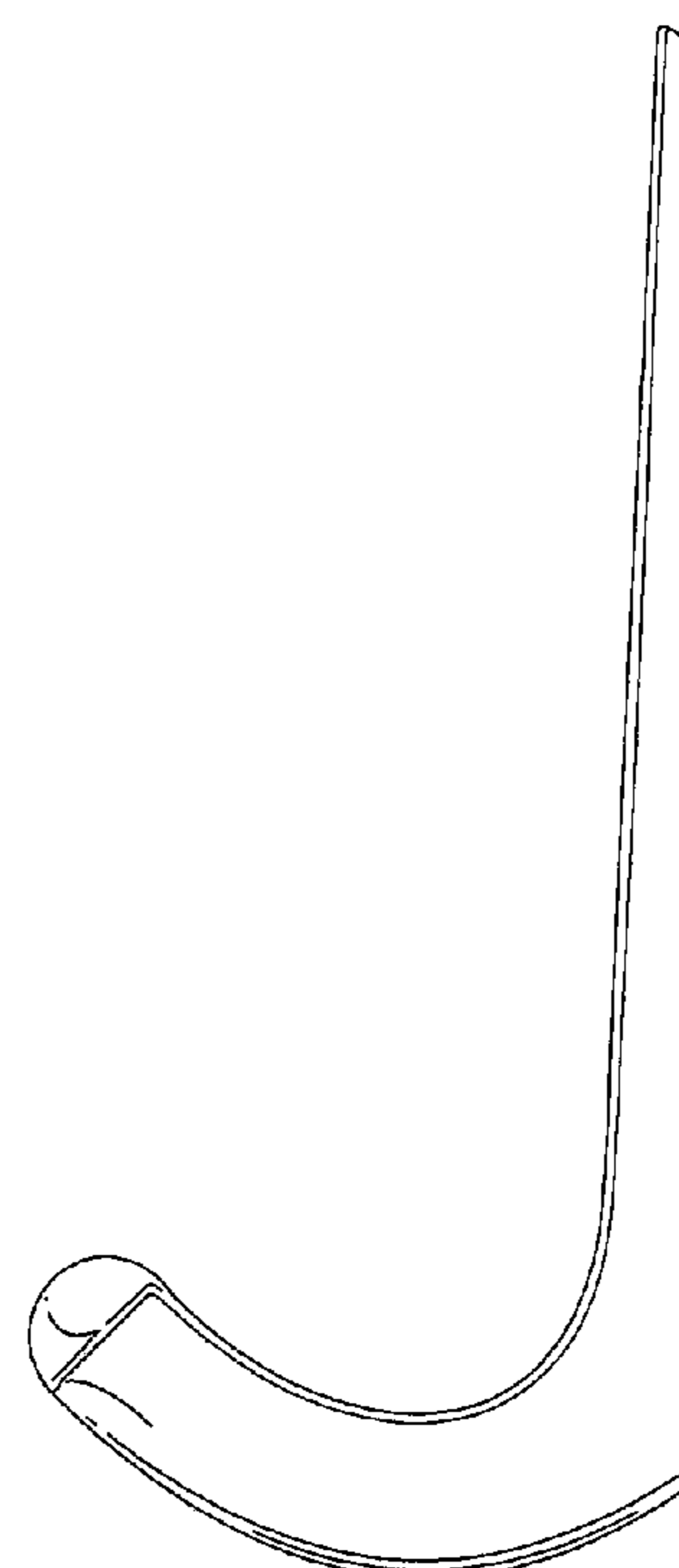
**FIG. 3**



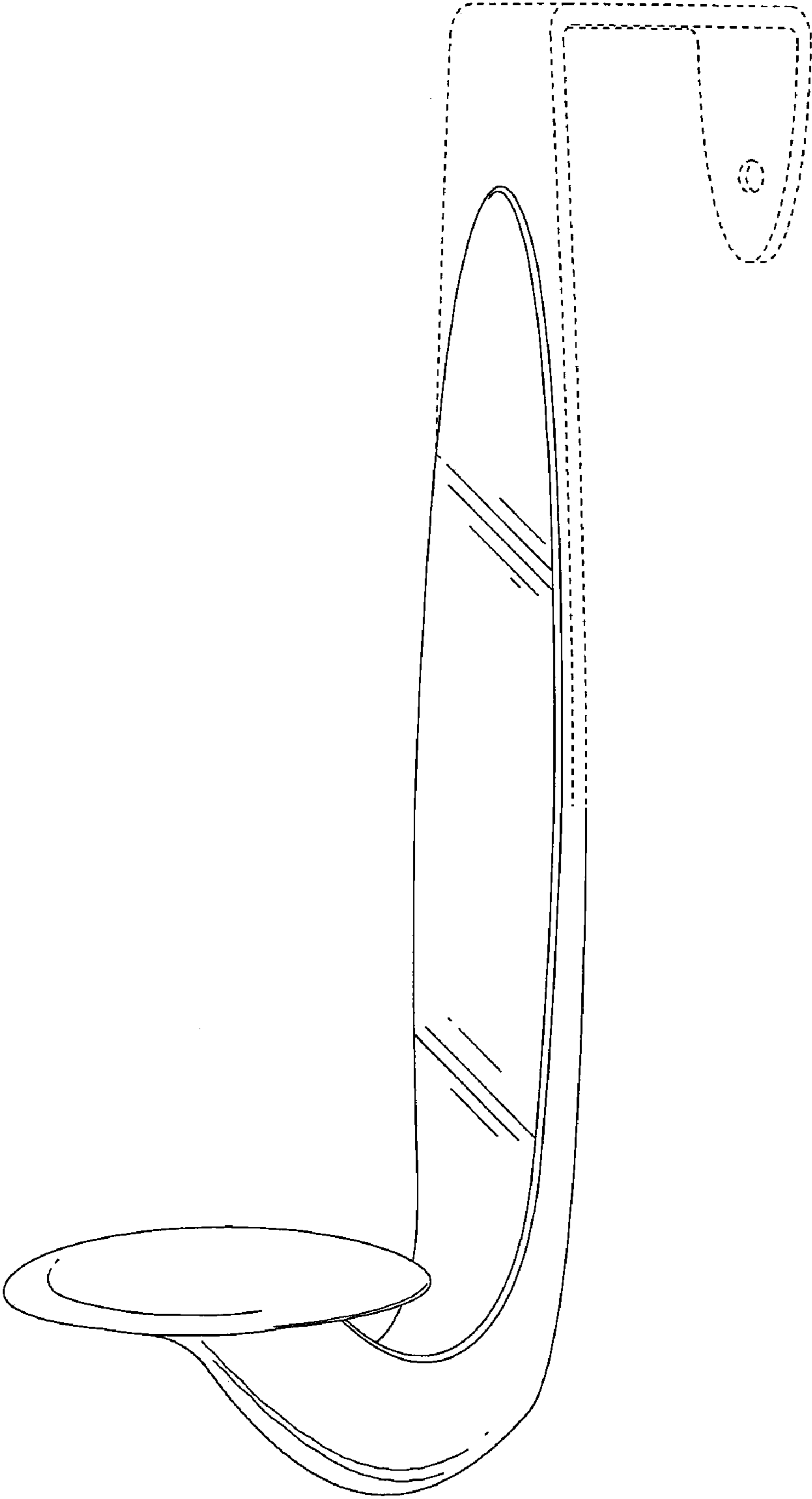
**FIG. 4**



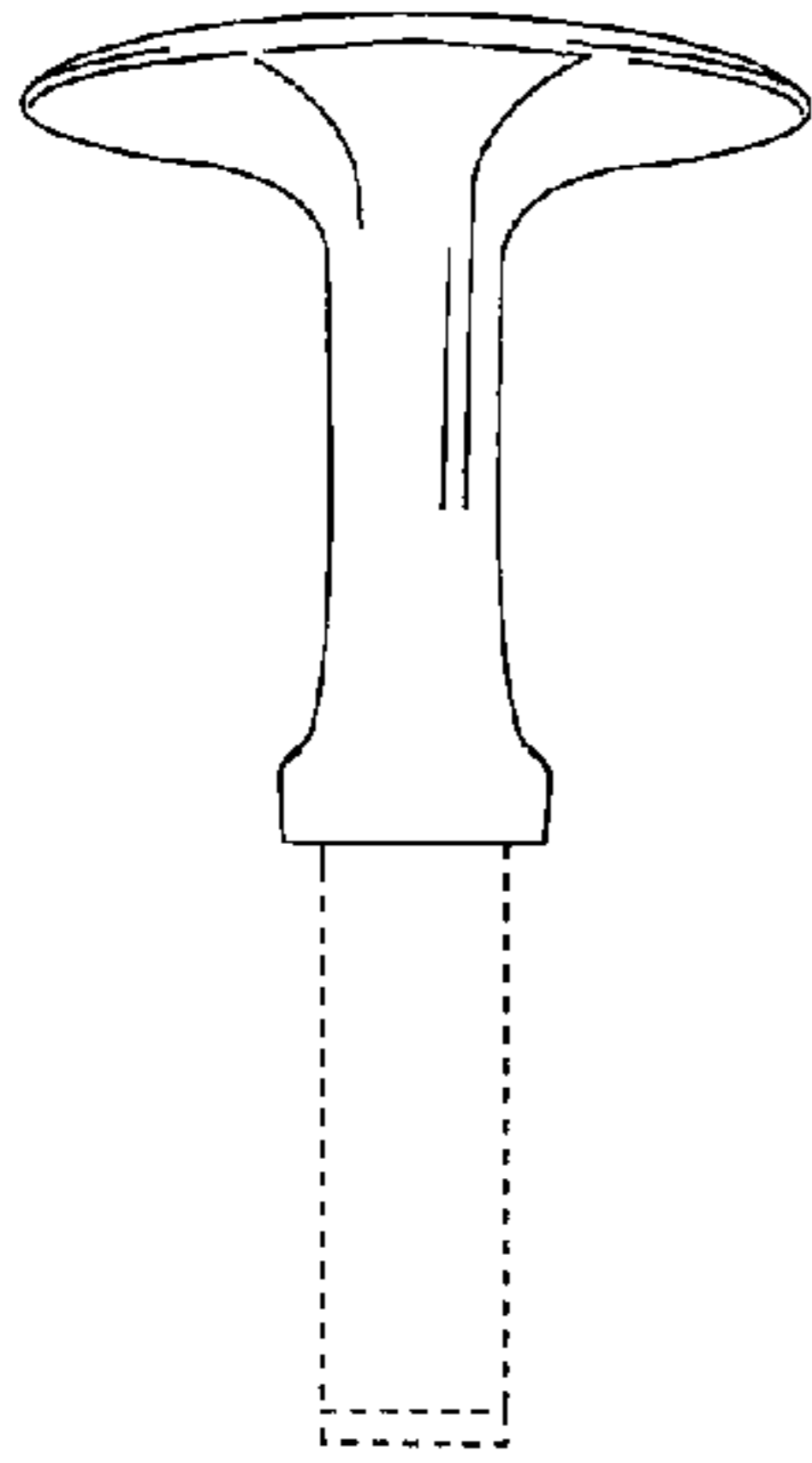
**FIG. 5**



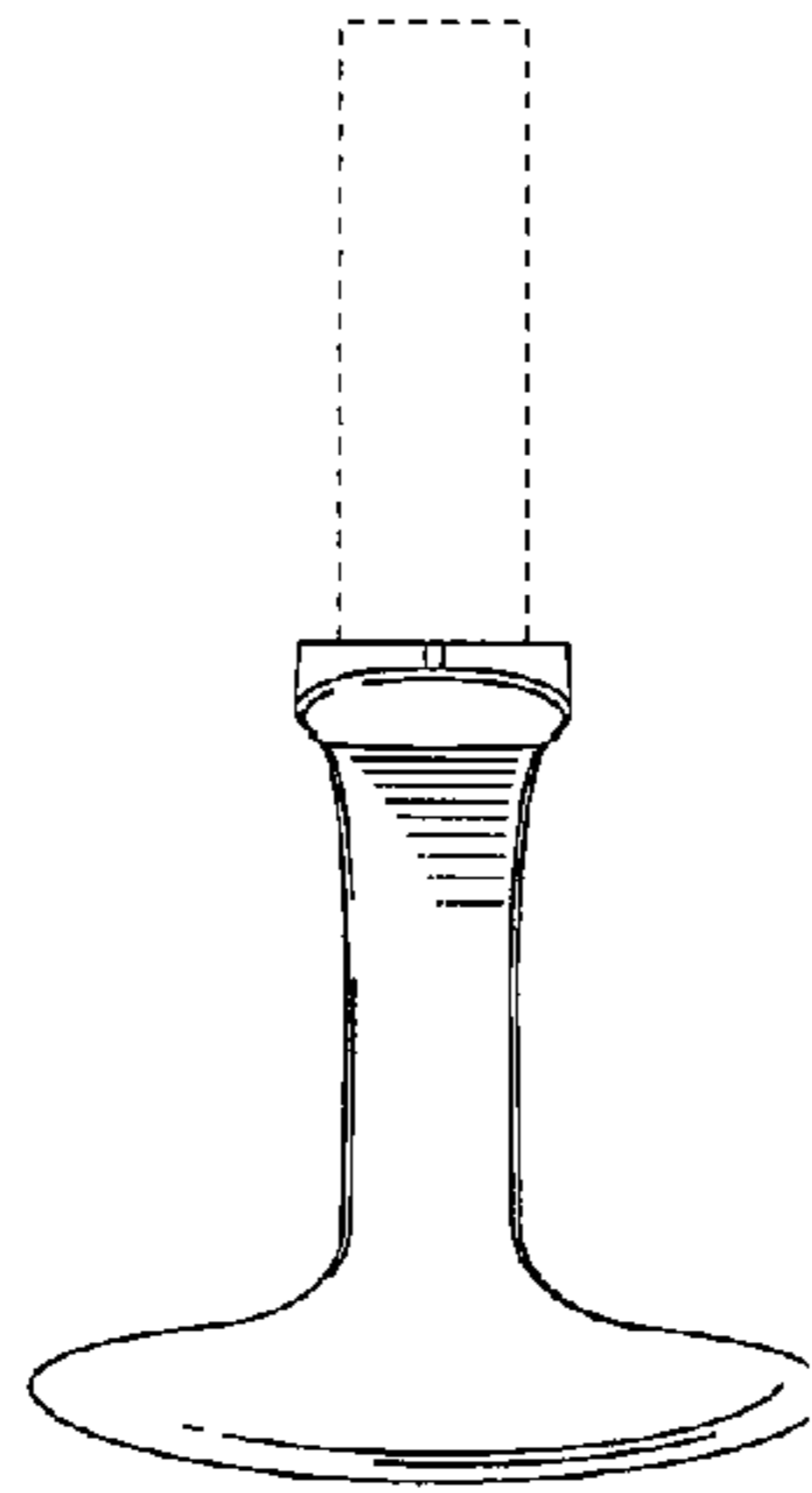
**FIG. 6**



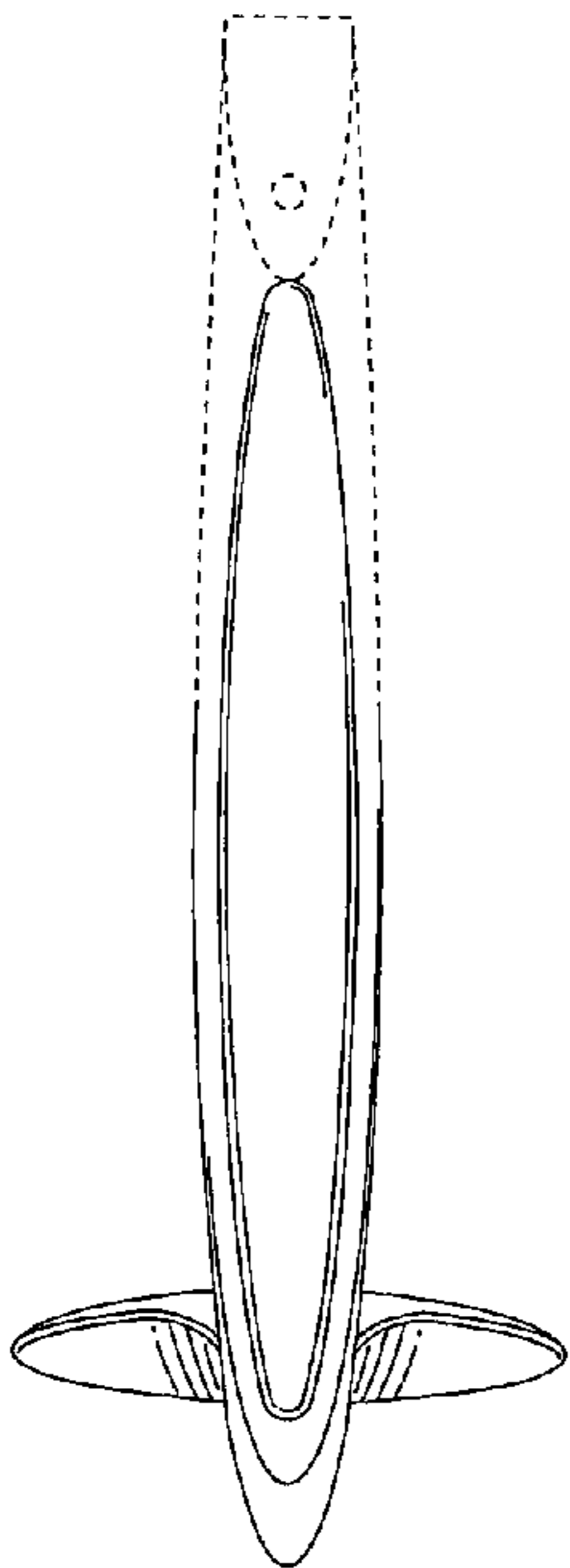
**FIG. 7**



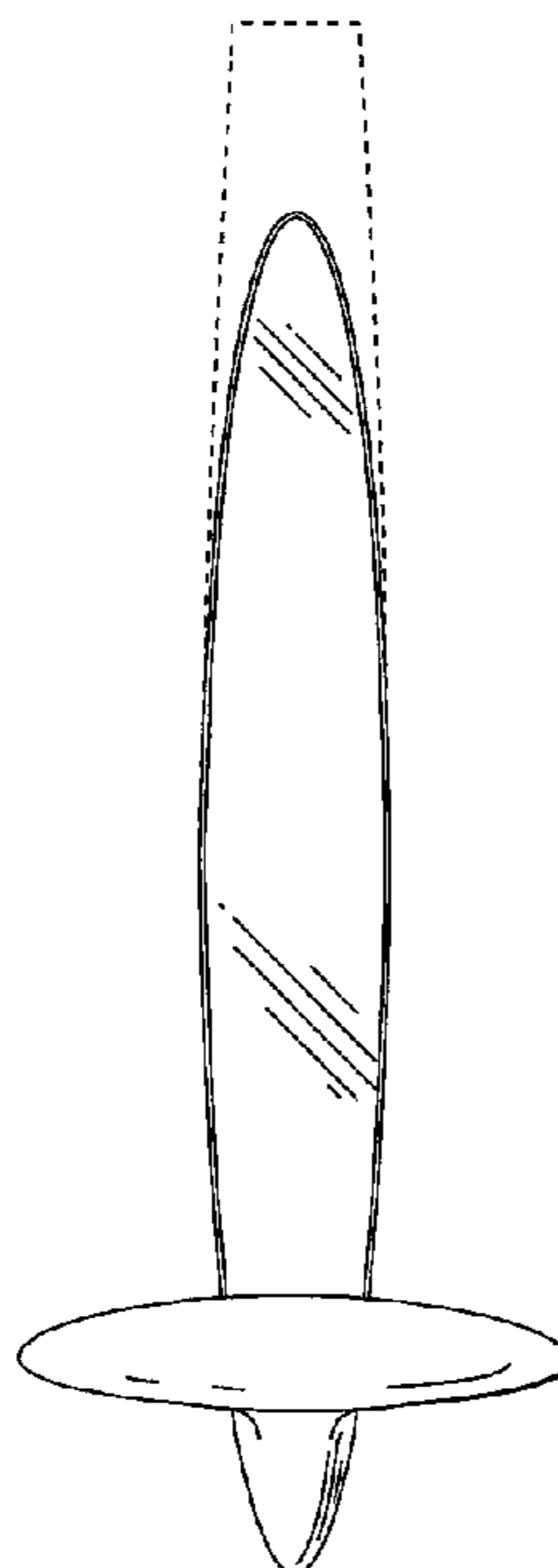
**FIG. 8**



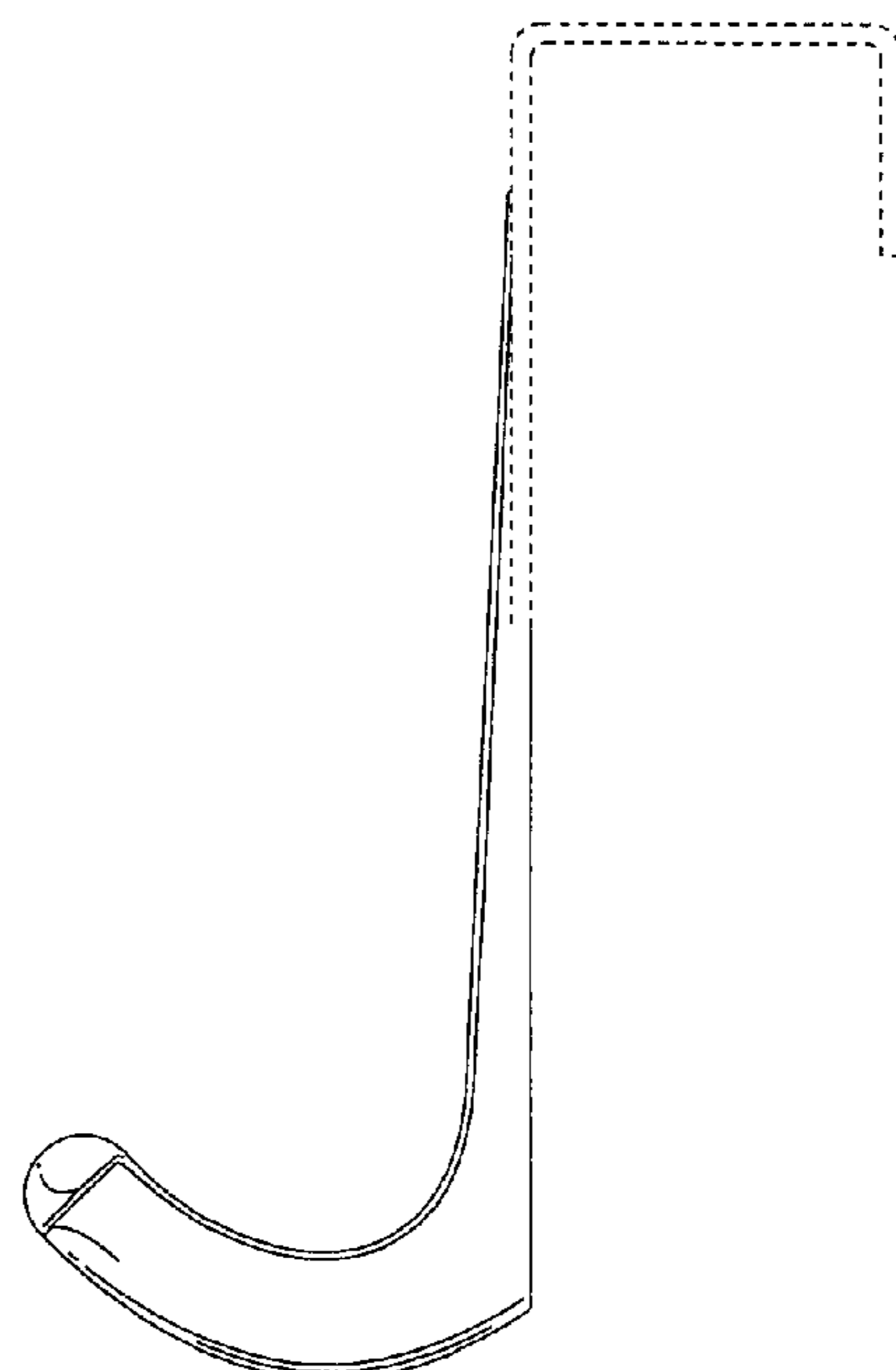
**FIG. 9**



**FIG. 10**



**FIG. 11**



**FIG. 12**