



US00D625581S

(12) **United States Design Patent**
Croctic, Jr. et al.

(10) **Patent No.:** **US D625,581 S**
(45) **Date of Patent:** **** Oct. 19, 2010**

(54) **HOLDING DEVICE FOR METAL BANDING**

(75) Inventors: **William H. Croctic, Jr.**, Simpsonville, SC (US); **Lawrence Zupon**, Bentleyville, OH (US)

(73) Assignee: **Guardian Building Products, Inc.**, Greer, SC (US)

(**) Term: **14 Years**

(21) Appl. No.: **29/344,075**

(22) Filed: **Sep. 23, 2009**

(51) **LOC (9) Cl.** **08-08**

(52) **U.S. Cl.** **D8/356**

(58) **Field of Classification Search** D8/105, D8/107, 333, 349, 354, 356, 358, 360, 360.1, D8/367, 372, 373, 382, 383, 394-396, 400; D13/133, 139.4, 153, 155; 24/18, 20 W, 24/23 W, 115 R, 129 C, 130, 131 R, 197, 24/561; 52/220.7, 698; 174/72 A, 100, 135, 174/153 G, 650, 656; 211/86.01, 87.01, 211/94.01; 242/400.1, 405.1, 405.2, 600, 242/603; 248/65, 74.1-74.4, 201, 214, 215, 248/229.26

See application file for complete search history.

(56) **References Cited**

U.S. PATENT DOCUMENTS

- 896,646 A * 8/1908 Litsch 24/18
- 2,177,187 A * 10/1939 Olsen 40/658
- 2,339,841 A * 1/1944 Deuchler et al. 52/489.2
- 3,969,863 A 7/1976 Alderman
- 4,011,639 A * 3/1977 Koleske 24/561
- 4,047,346 A 9/1977 Alderman
- 4,069,636 A 1/1978 Kessler
- 4,075,806 A 2/1978 Alderman
- 4,075,807 A 2/1978 Alderman
- 4,150,465 A 4/1979 Gavin, Jr.
- 4,172,345 A 10/1979 Alderman
- 4,318,260 A 3/1982 Siegel et al.
- 4,446,664 A 5/1984 Harkins

- 4,449,343 A 5/1984 Henningsen
- 4,573,298 A 3/1986 Harkins
- 4,649,689 A 3/1987 Everman et al.
- 4,688,739 A * 8/1987 Moore 242/405.2
- 4,724,651 A 2/1988 Fligg
- 4,800,698 A 1/1989 Murphy
- 4,875,320 A 10/1989 Sparkes
- 4,884,932 A 12/1989 Meyer
- 5,004,100 A * 4/1991 Smith 206/315.2

(Continued)

OTHER PUBLICATIONS

Purlin Glide FP Product Brochure, Guardian Building Products, 2003.

(Continued)

Primary Examiner—Robert M Spear
Assistant Examiner—Karen Acker
(74) *Attorney, Agent, or Firm*—Dority & Manning, P.A.

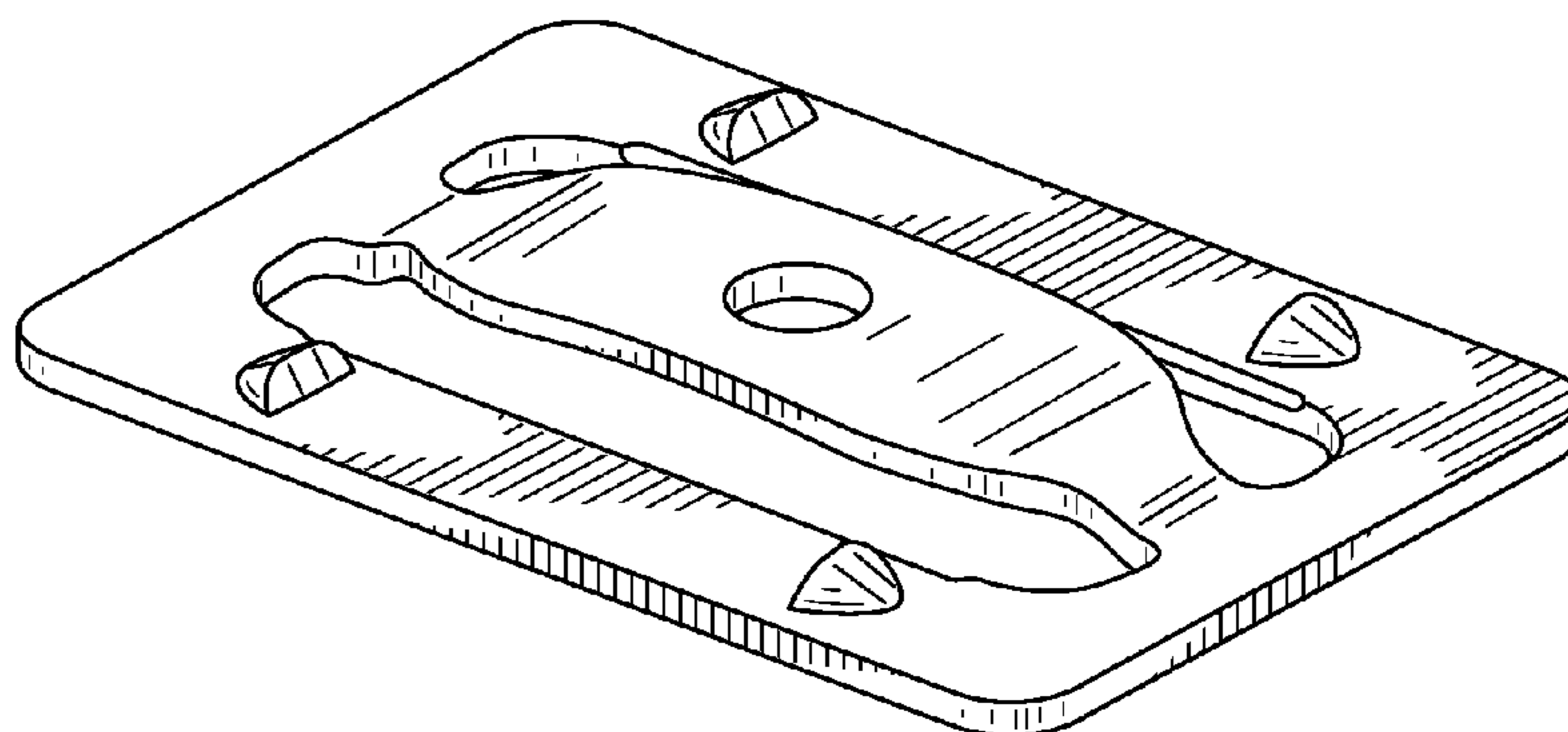
(57) **CLAIM**

The ornamental design for a holding device for metal banding, as shown and described.

DESCRIPTION

FIG. 1 is a perspective view of a holding device for metal banding according to the present design;
FIG. 2 is a top view of the holding device of FIG. 1;
FIG. 3 is a bottom view of the holding device of FIG. 1;
FIG. 4 is a side view of the holding device of FIG. 1; and,
FIG. 5 is an end view of the holding device of FIG. 1.

1 Claim, 3 Drawing Sheets



US D625,581 S

Page 2

U.S. PATENT DOCUMENTS

5,085,023 A 2/1992 Duffy
5,119,612 A 6/1992 Taylor et al.
5,307,603 A * 5/1994 Chiodo 52/698
D347,857 S * 6/1994 Coe D19/65
5,361,610 A * 11/1994 Sanders 70/14
5,442,890 A 8/1995 Fligg
5,546,723 A * 8/1996 Jones 52/698
5,561,959 A 10/1996 Alderman et al.
5,581,966 A 12/1996 Fligg
D409,079 S * 5/1999 Sobczynski D8/354
5,901,518 A 5/1999 Harkins
5,953,875 A 9/1999 Harkins
6,247,288 B1 6/2001 Harkins
6,282,857 B1 9/2001 Rubenacker
6,308,489 B1 10/2001 Romes
6,382,569 B1 * 5/2002 Schattner et al. 248/74.1
6,393,797 B1 5/2002 Romes

6,715,256 B1 4/2004 Fischer
D497,102 S 10/2004 Kuhn
6,966,103 B2 * 11/2005 Gould 24/351
7,124,482 B2 * 10/2006 Kim 24/712.1
D556,015 S * 11/2007 Muchnik D8/354
D557,117 S * 12/2007 Cannaverde D8/354
D576,473 S * 9/2008 Cresswell D8/354
D586,259 S * 2/2009 Kelleghan D11/218
2003/0063890 A1 * 4/2003 Wu et al. 385/137
2009/0250175 A1 * 10/2009 Crostic, Jr. 160/183
2010/0101176 A1 * 4/2010 Metham 52/698

OTHER PUBLICATIONS

GBP Silvercote Product Brochure, Guardian Building Products, Mar. 2007.

Energy Saver System Product Brochure, Guardian Building Products, 2006.

* cited by examiner

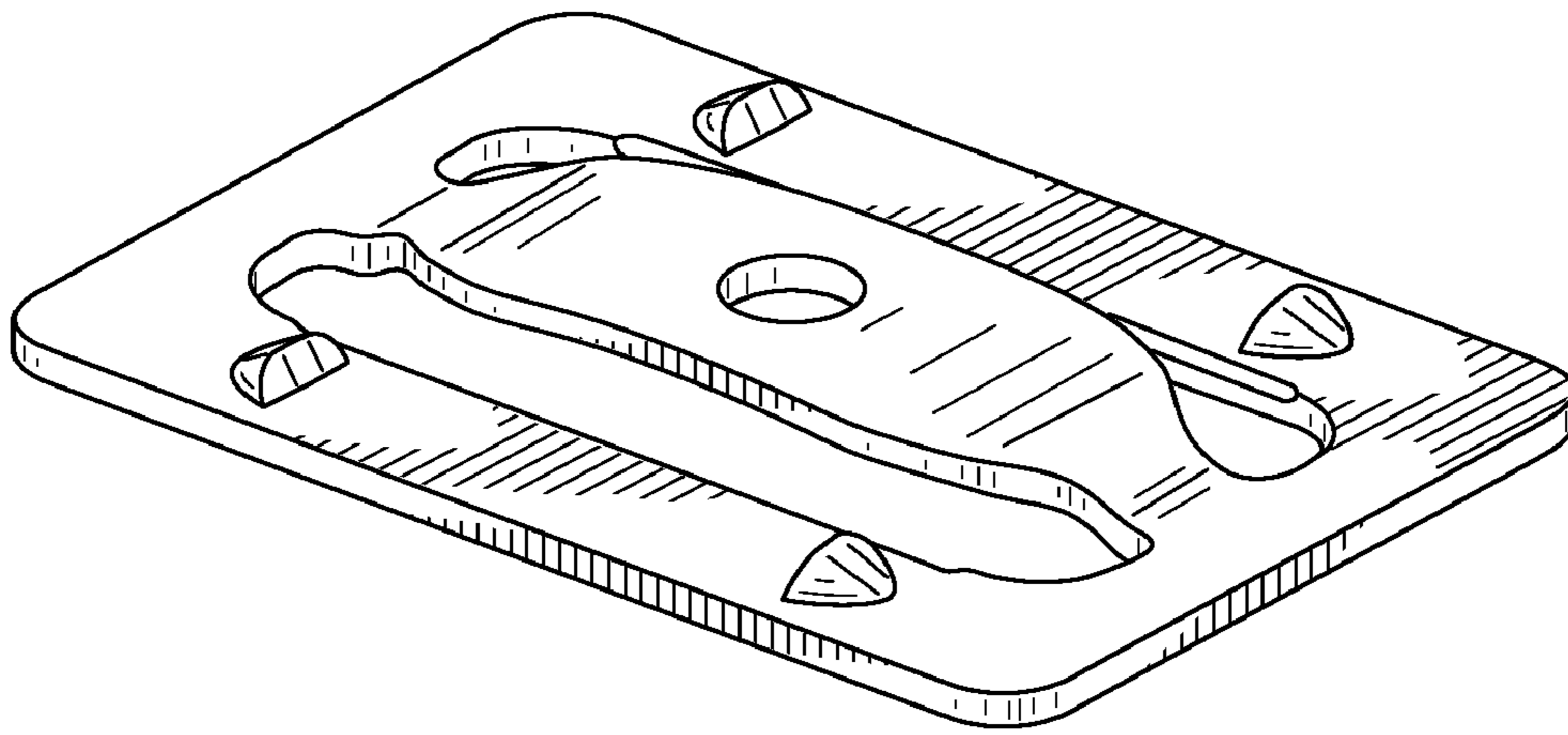


FIG. 1

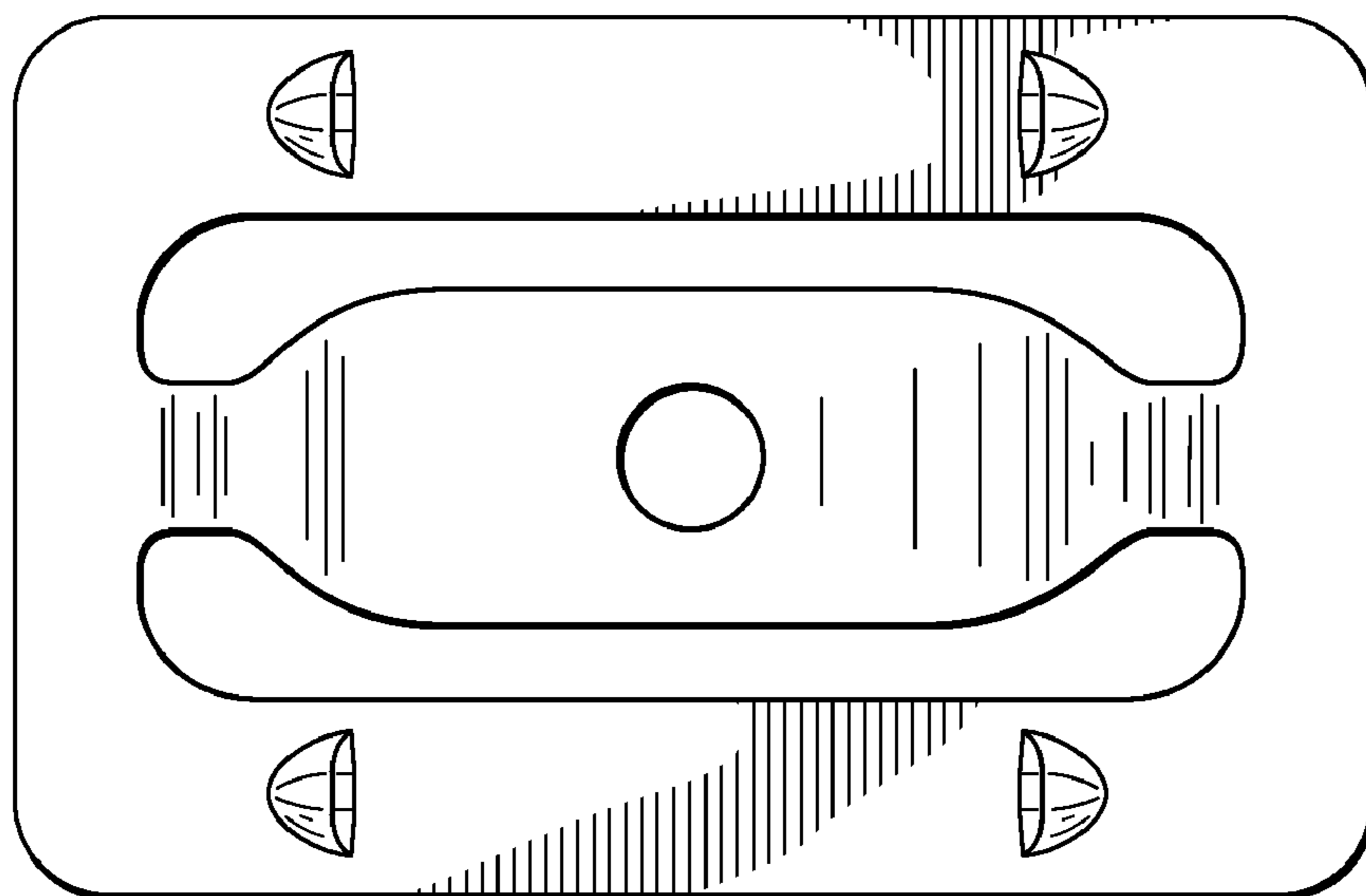


FIG. 2

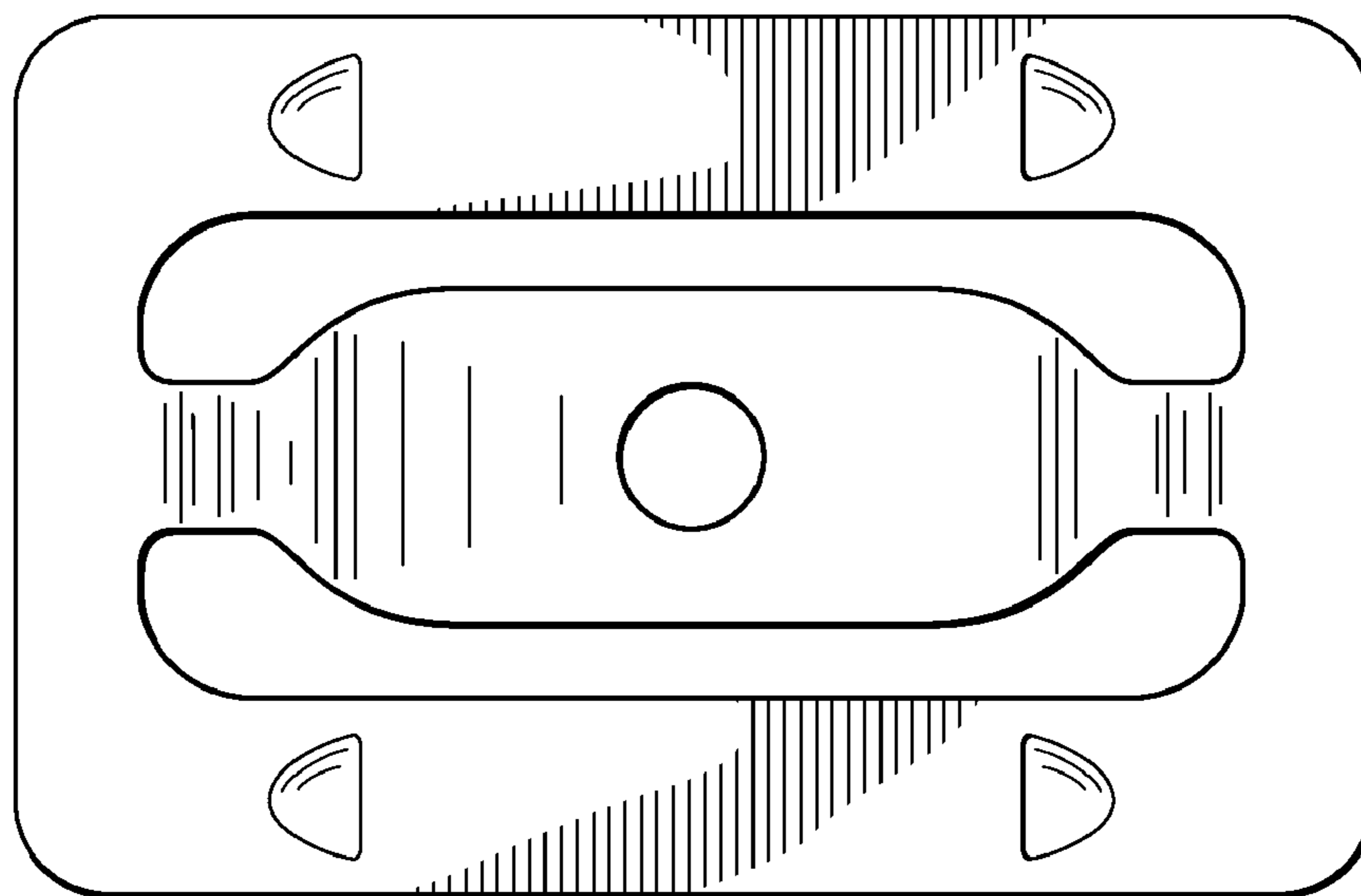


FIG. 3

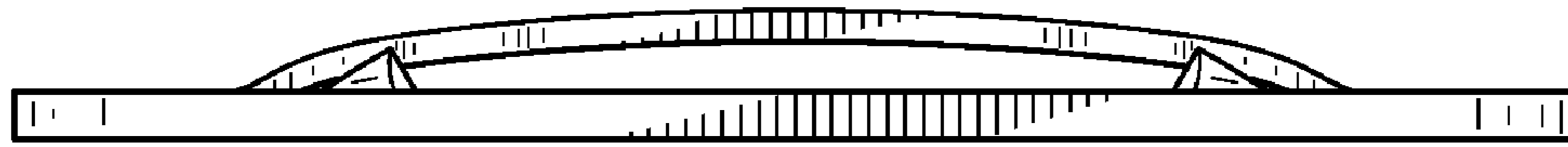


FIG. 4

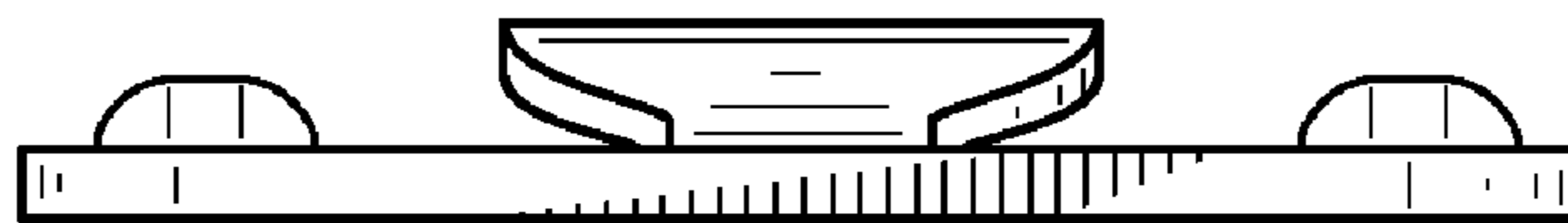


FIG. 5