



US00D625578S

(12) **United States Design Patent**
Gao

(10) **Patent No.:** **US D625,578 S**
(45) **Date of Patent:** **** Oct. 19, 2010**

(54) **KEY BLANK**

D517,397 S * 3/2006 Kim D8/347
D553,395 S * 10/2007 Everson et al. D6/480
D592,935 S * 5/2009 Mesh et al. D8/347

(75) Inventor: **Sissi Gao**, Fujian (CN)

* cited by examiner

(73) Assignee: **Newfrey LLC**, Newark, DE (US)

Primary Examiner—Prabhakar Deshmukh
(74) *Attorney, Agent, or Firm*—Richard J. Veltman; John D. DelPonti

(**) Term: **14 Years**

(21) Appl. No.: **29/359,122**

(22) Filed: **Apr. 6, 2010**

(57) **CLAIM**

(51) **LOC (9) Cl.** **08-07**

The ornamental design for a key blank, as shown and described.

(52) **U.S. Cl.** **D8/347**

(58) **Field of Classification Search** D8/330,
D8/347, 331, 348; 70/336, 344, 346, 398,
70/402–408, 429, 430, 285

DESCRIPTION

See application file for complete search history.

FIG. 1 is a perspective view of a key blank showing a new design;

(56) **References Cited**

FIG. 2 is a front view thereof;

U.S. PATENT DOCUMENTS

FIG. 3 is a back view thereof;

4,189,495 A * 2/1980 Kaplan et al. 514/428
D278,880 S * 5/1985 Widen D8/347
D361,708 S * 8/1995 Kahonen D8/347
5,878,611 A * 3/1999 Lerchner et al. 70/276
D424,911 S * 5/2000 Geringer et al. D8/347
D514,921 S * 2/2006 Kosasih D8/347

FIG. 4 is a right side view thereof;

FIG. 5 is a left side view thereof;

FIG. 6 is a top view thereof; and,

FIG. 7 is a bottom view thereof.

1 Claim, 3 Drawing Sheets



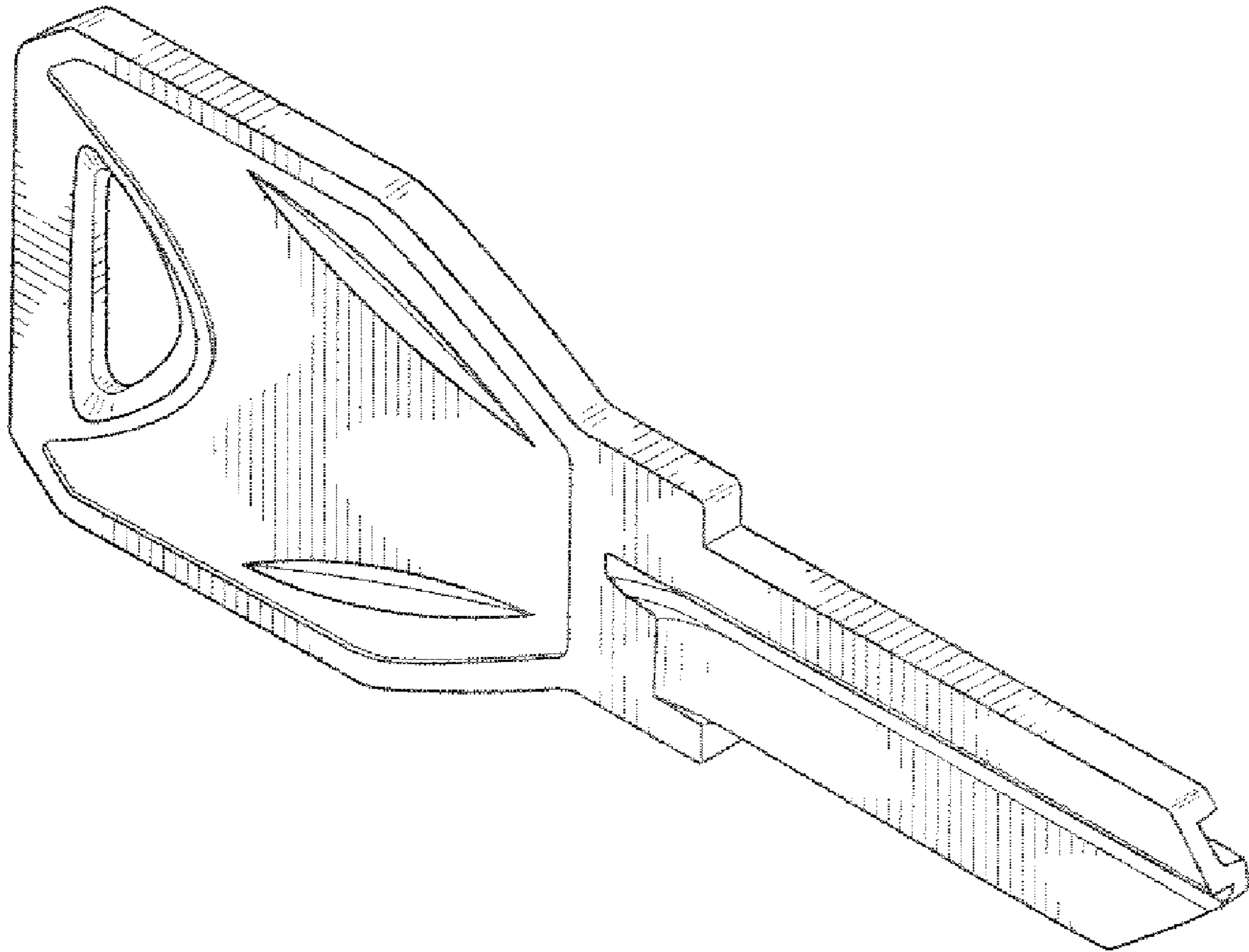


FIG. 1

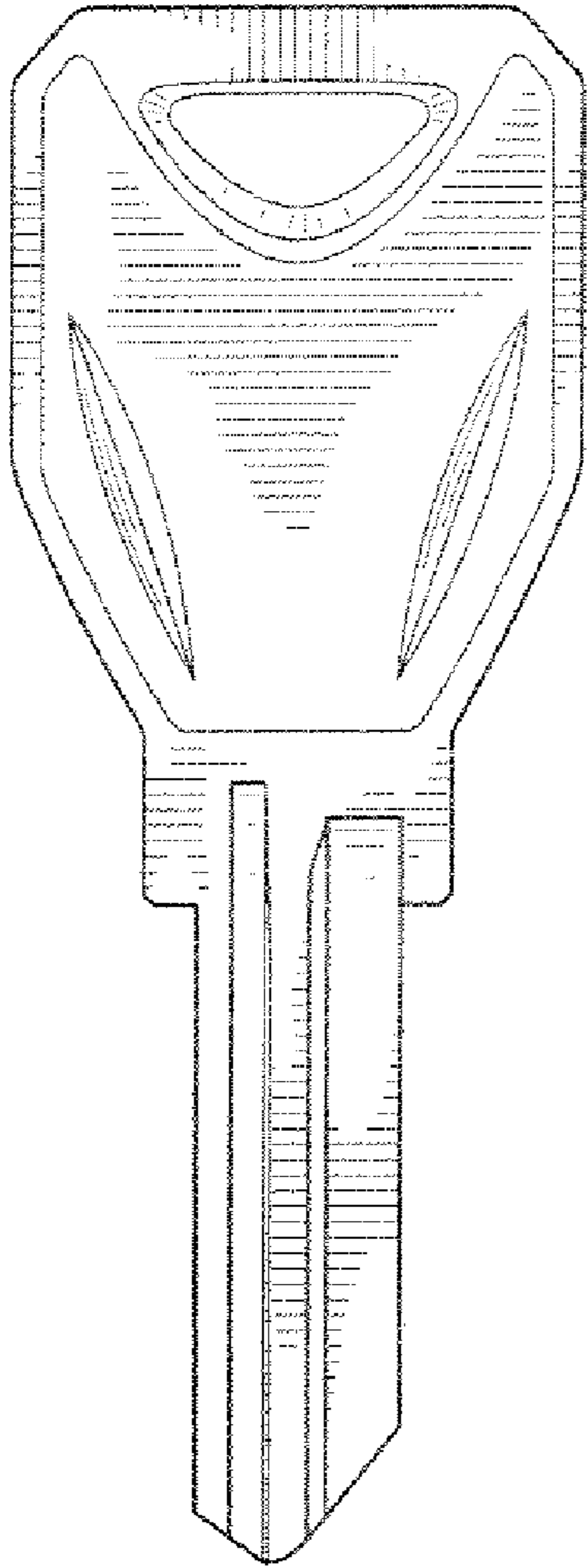


FIG. 2

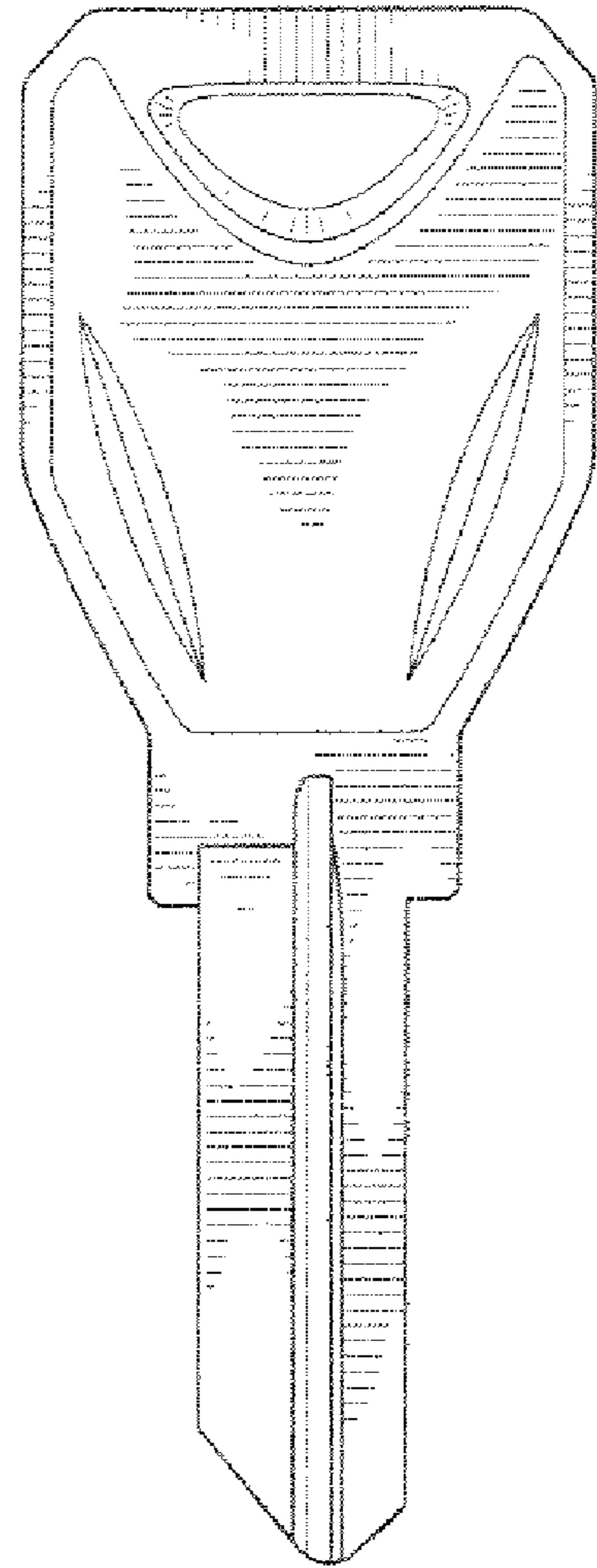


FIG. 3



FIG. 4



FIG. 5



FIG. 6



FIG. 7