



US00D625574S

(12) **United States Design Patent**
Burns

(10) **Patent No.:** **US D625,574 S**

(45) **Date of Patent:** **** *Oct. 19, 2010**

(54) **D-HANDLE SUB-ASSEMBLY**

(75) Inventor: **Sean T. Burns**, Lexington, SC (US)

(73) Assignee: **Hansen International, Inc.**, Lexington, SC (US)

(**) Term: **14 Years**

(21) Appl. No.: **29/332,521**

(22) Filed: **Feb. 18, 2009**

(51) **LOC (9) Cl.** **08-06**

(52) **U.S. Cl.** **D8/306**

(58) **Field of Classification Search** D8/300,
D8/301, 306, 352, 353, 350, 302, 341, 310,
D8/336, 331; 16/445, 419, 420, 110.1; 70/208,
70/210; 190/39, 115; 292/336.3, 167, DIG. 11
See application file for complete search history.

(56) **References Cited**

U.S. PATENT DOCUMENTS

337,889	A	3/1886	Taylor	
1,705,071	A *	3/1929	Sheehan	16/445
2,402,348	A *	6/1946	Schroeder	292/167
2,715,243	A	8/1955	Koll	
2,991,904	A *	7/1961	Carideo	220/231
3,562,849	A *	2/1971	Brayshaw	16/445
3,871,198	A	3/1975	Miller	
D281,665	S *	12/1985	Weinerman et al.	D8/302
4,838,054	A *	6/1989	Weinerman et al.	70/208
D316,365	S *	4/1991	Hansen et al.	D8/331
5,012,553	A	5/1991	Hardigg et al.	
D317,398	S *	6/1991	Hansen et al.	D8/336
5,052,869	A *	10/1991	Hansen, II	410/111
D323,970	S *	2/1992	Schlack	D8/341
D389,393	S *	1/1998	Hansen	D8/310
5,887,927	A	3/1999	Kurek, III et al.	
RE37,518	E	1/2002	Hardigg et al.	
6,397,436	B1 *	6/2002	Wang	16/445
D464,906	S	10/2002	Dudenhoeffer	
D466,789	S	12/2002	Jeffries	
D469,678	S *	2/2003	Teskey	D8/301
6,643,897	B2	11/2003	Chang	
D484,024	S	12/2003	Teskey et al.	

6,666,053	B2	12/2003	Sadler	
D488,052	S	4/2004	Hansen	
D488,702	S	4/2004	Hansen	
D488,994	S *	4/2004	Hansen	D8/350
D490,292	S *	5/2004	Hansen	D8/352
D501,129	S	1/2005	Hansen	
D501,393	S	2/2005	Hansen	
6,854,774	B2	2/2005	Magnusson	
D511,289	S	11/2005	Hansen	
7,021,679	B2	4/2006	Magnusson	
D520,328	S *	5/2006	Hansen	D8/301
7,062,818	B2 *	6/2006	Jeffries	16/445
7,124,475	B2 *	10/2006	Jeffries	16/445
D532,673	S	11/2006	Weinerman et al.	
D532,675	S	11/2006	Weinerman et al.	
D543,434	S *	5/2007	Weinerman et al.	D8/301
D548,560	S *	8/2007	Weinerman et al.	D8/301
D585,468	S *	1/2009	Burns	D15/142

* cited by examiner

Primary Examiner—Paula Greene

(74) *Attorney, Agent, or Firm*—Dority & Manning, P.A.

(57) **CLAIM**

The ornamental design for a D-handle sub-assembly, as shown and described.

DESCRIPTION

FIG. 1 is a front perspective view of a D-handle sub-assembly showing my new design;

FIG. 2 is a rear perspective view thereof;

FIG. 3 is a front elevational view thereof;

FIG. 4 is a rear elevational view thereof;

FIG. 5 is a right side elevational view thereof;

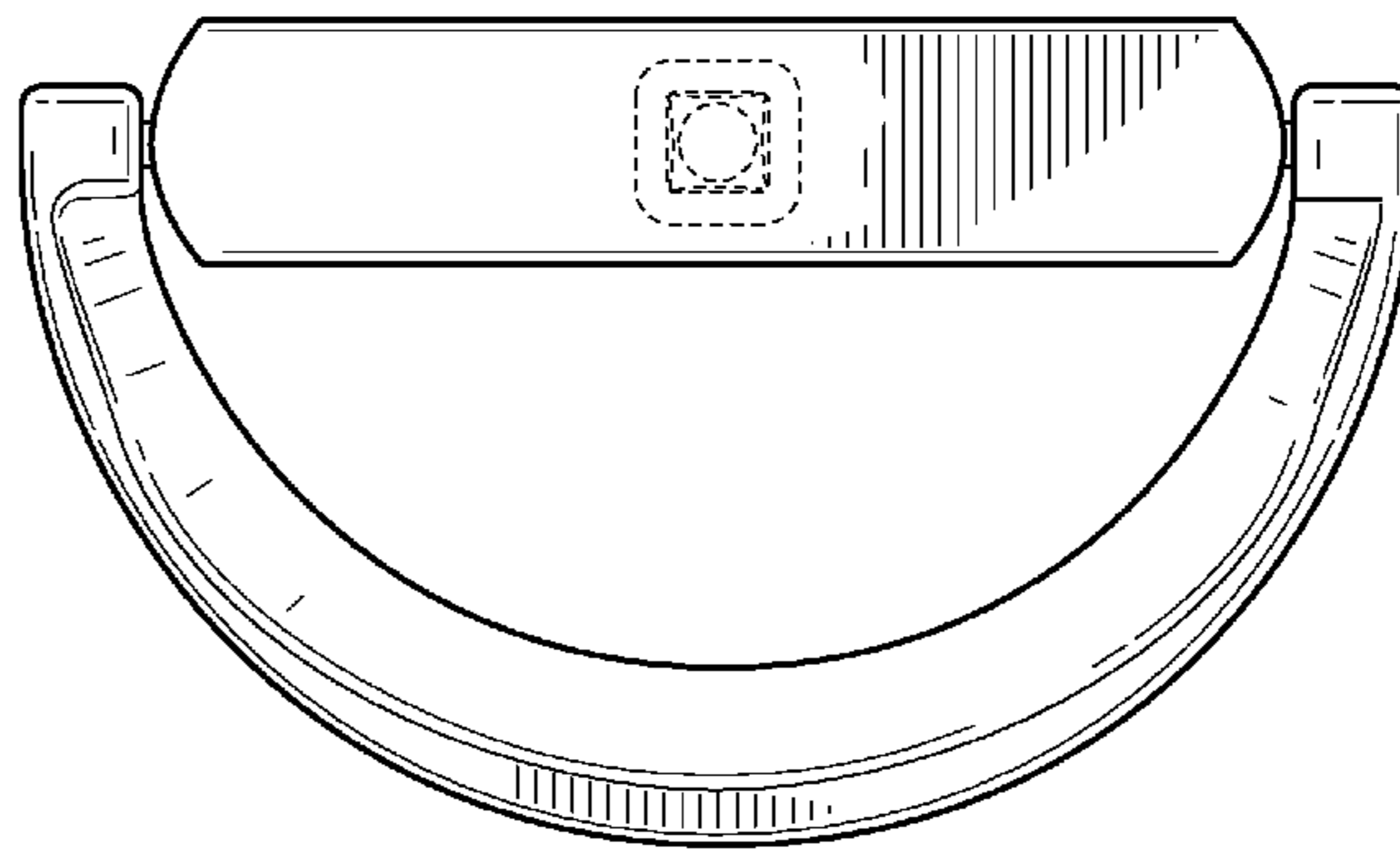
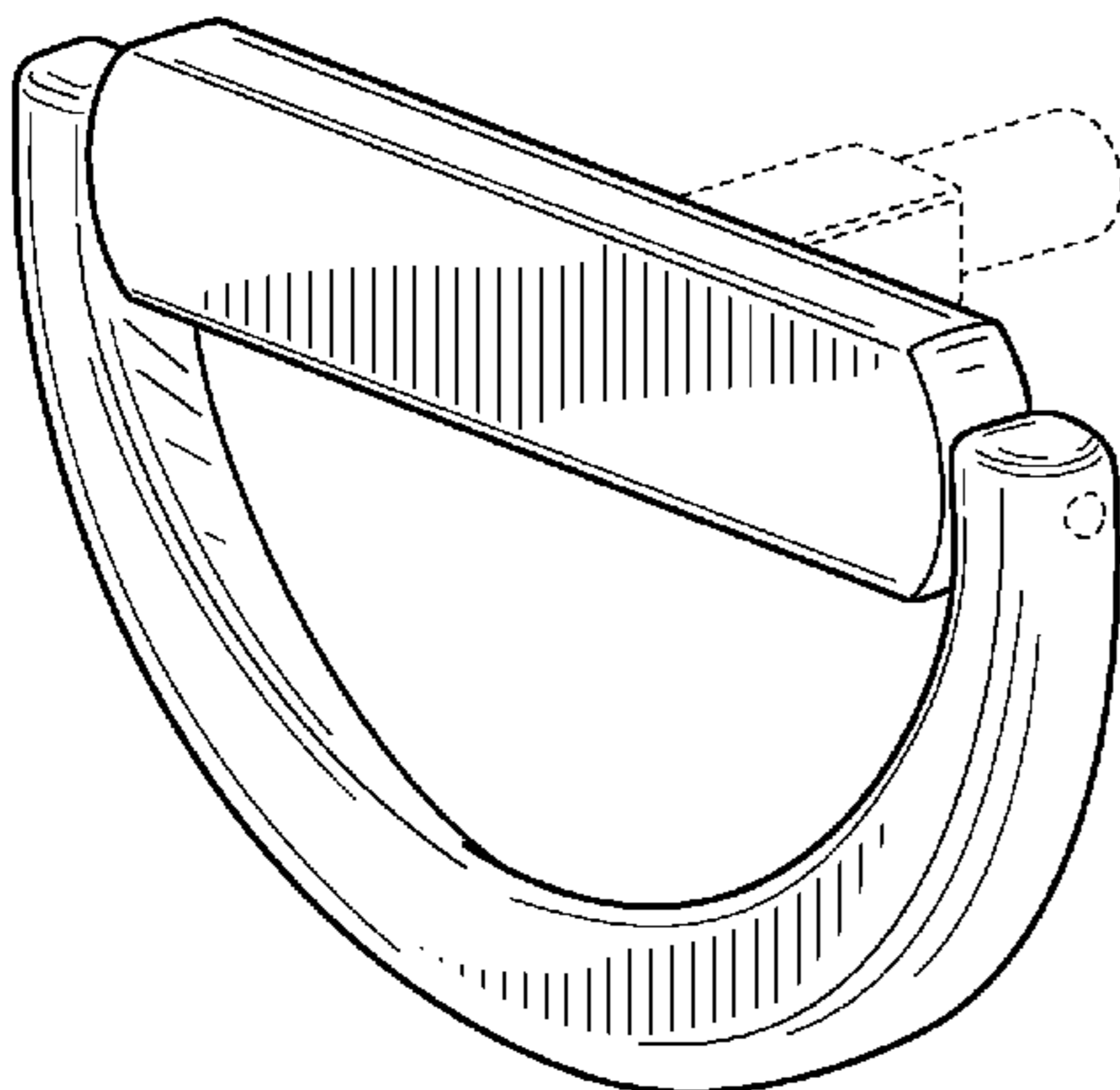
FIG. 6 is a left side elevational view thereof;

FIG. 7 is a top plan view thereof; and,

FIG. 8 is a bottom plan view thereof.

The claimed design comprises the elements shown in solid lines, the elements shown in dotted lines forming no part of the claimed design.

1 Claim, 6 Drawing Sheets



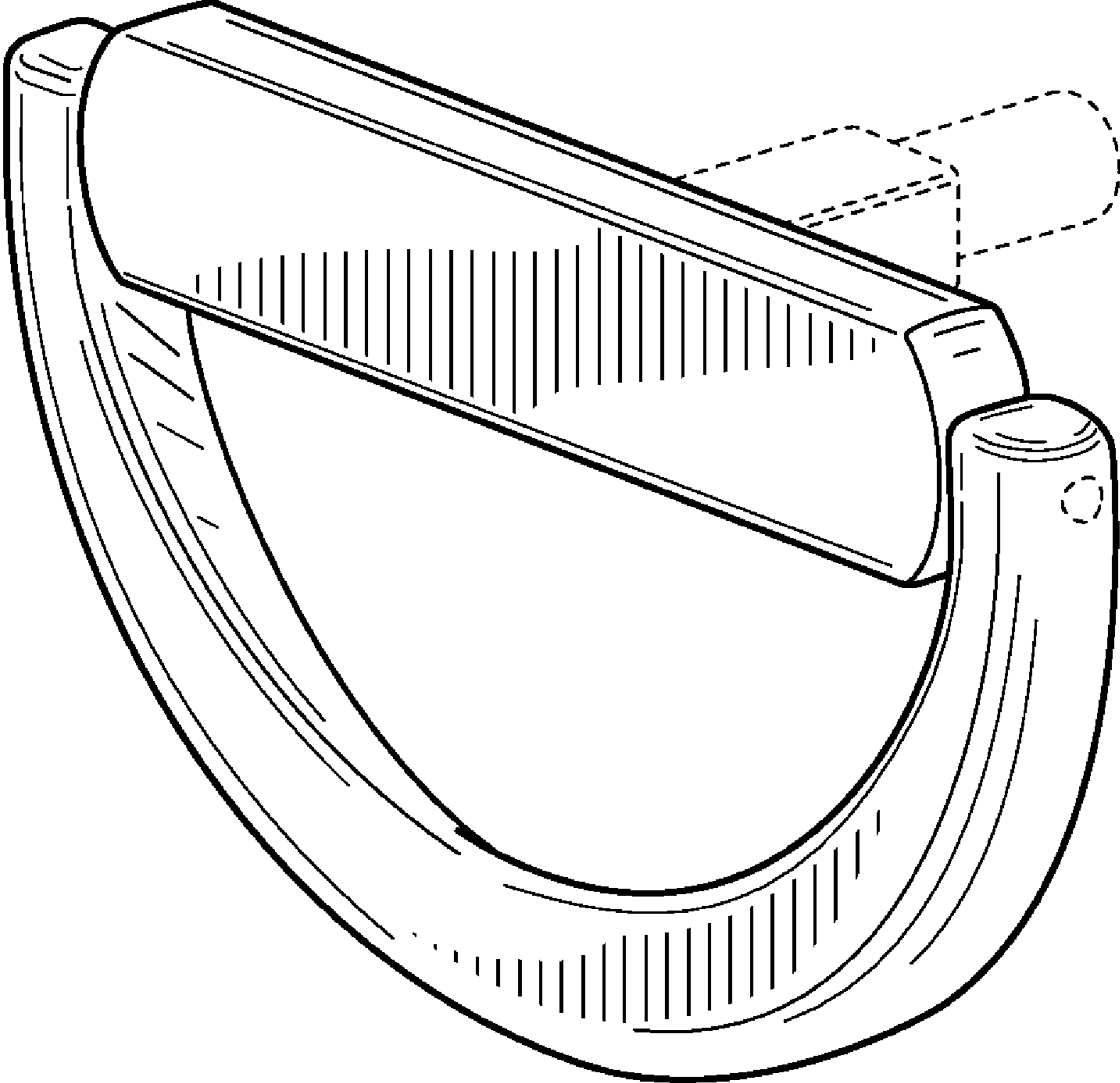


FIG. 1

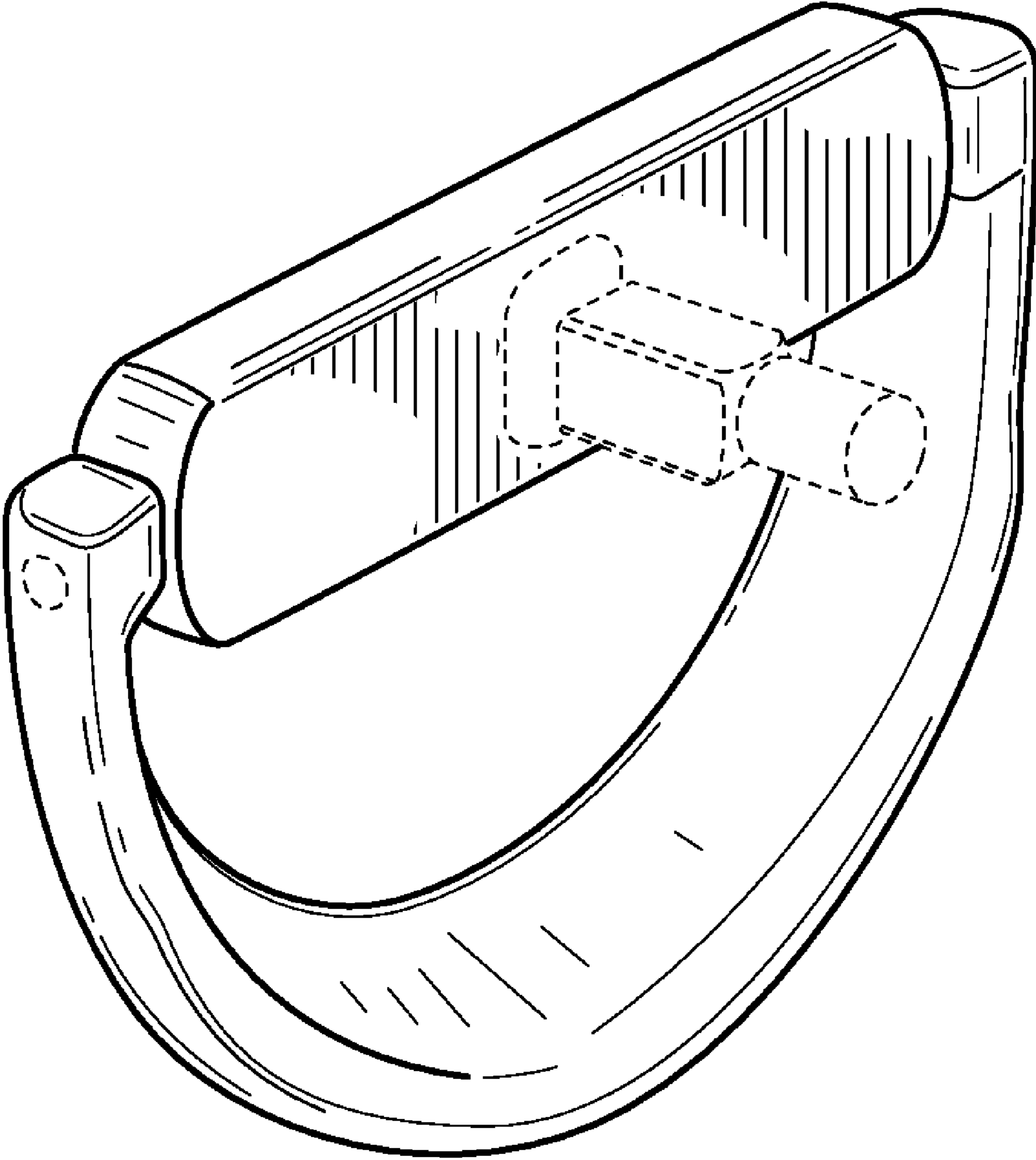


FIG. 2

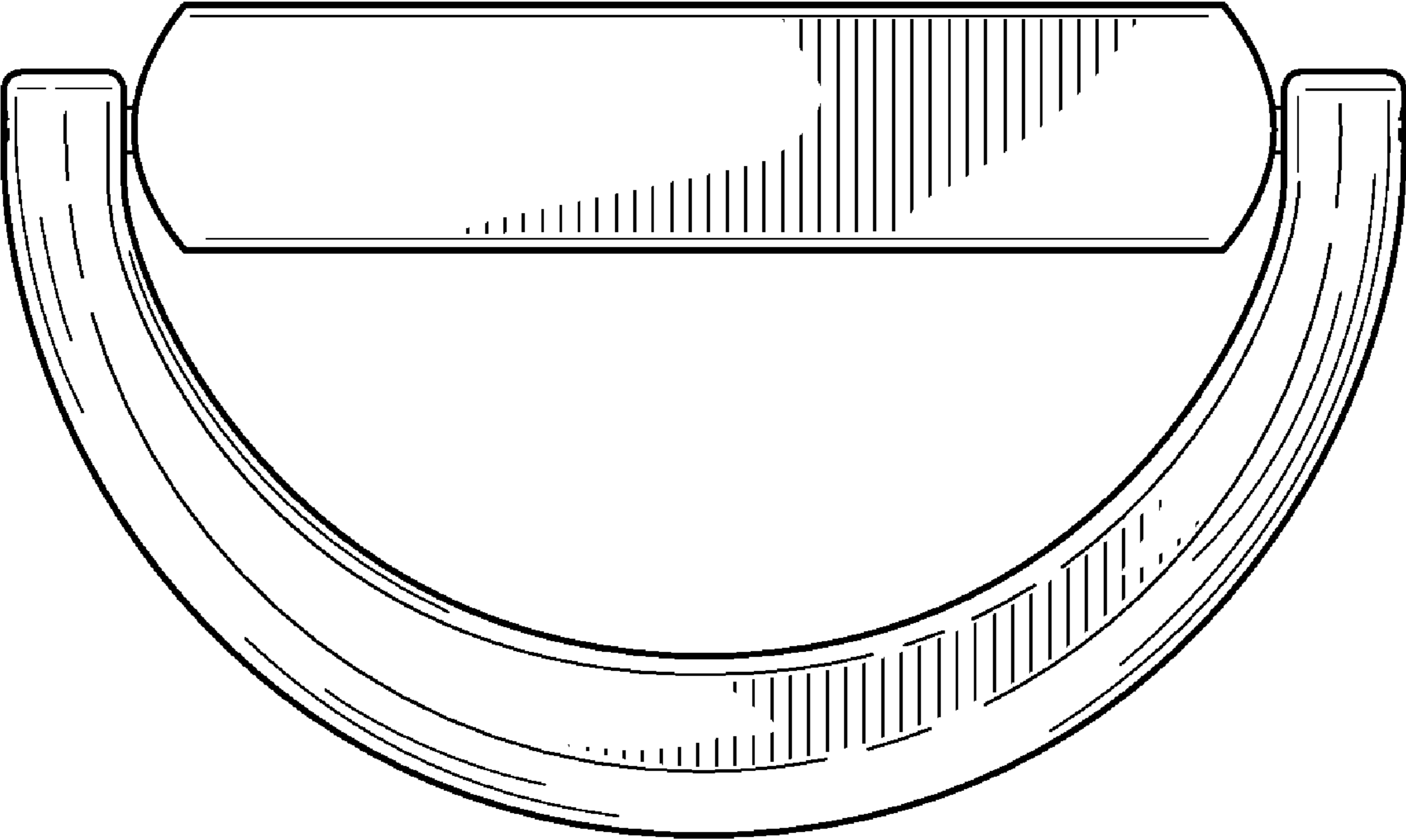


FIG. 3

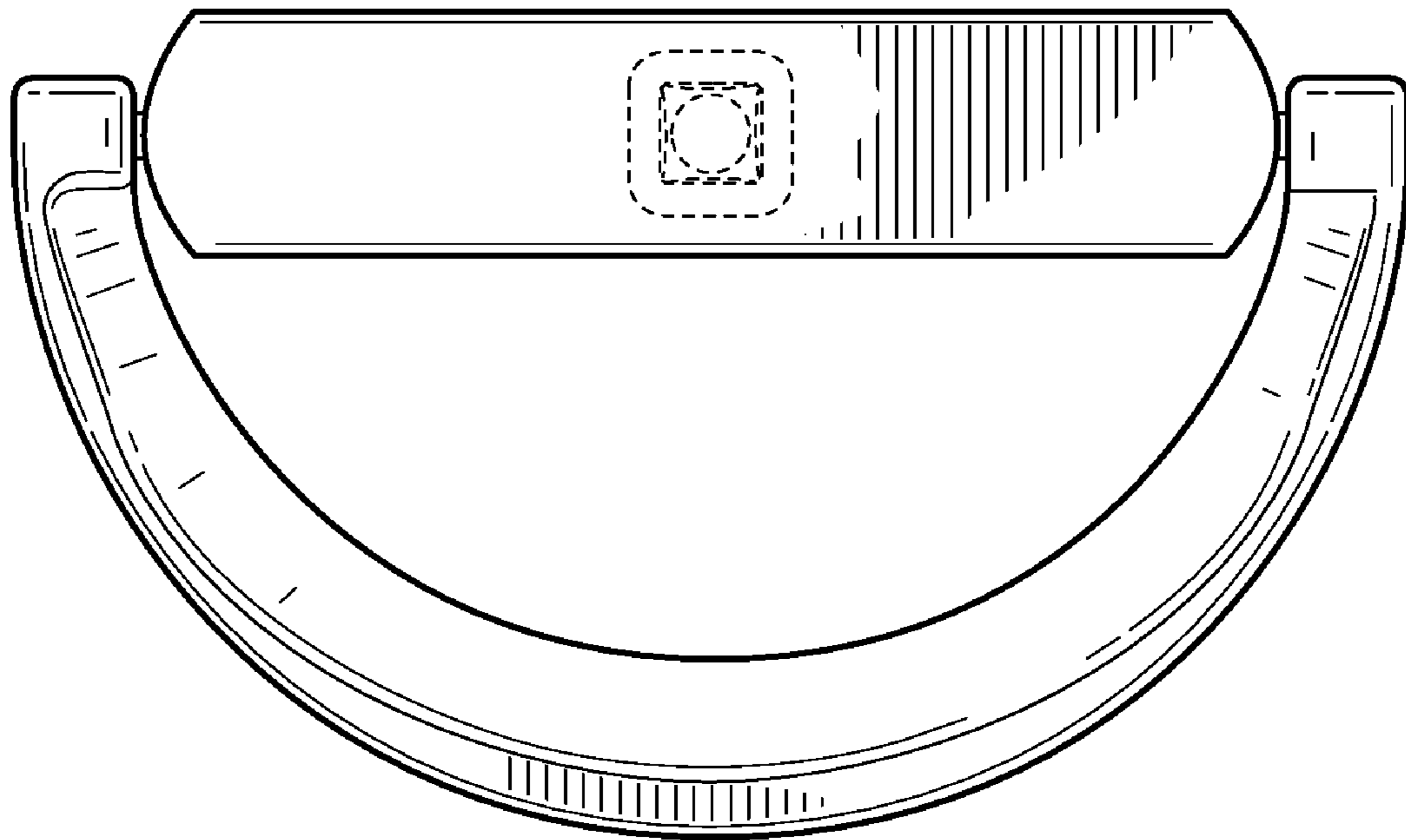


FIG. 4

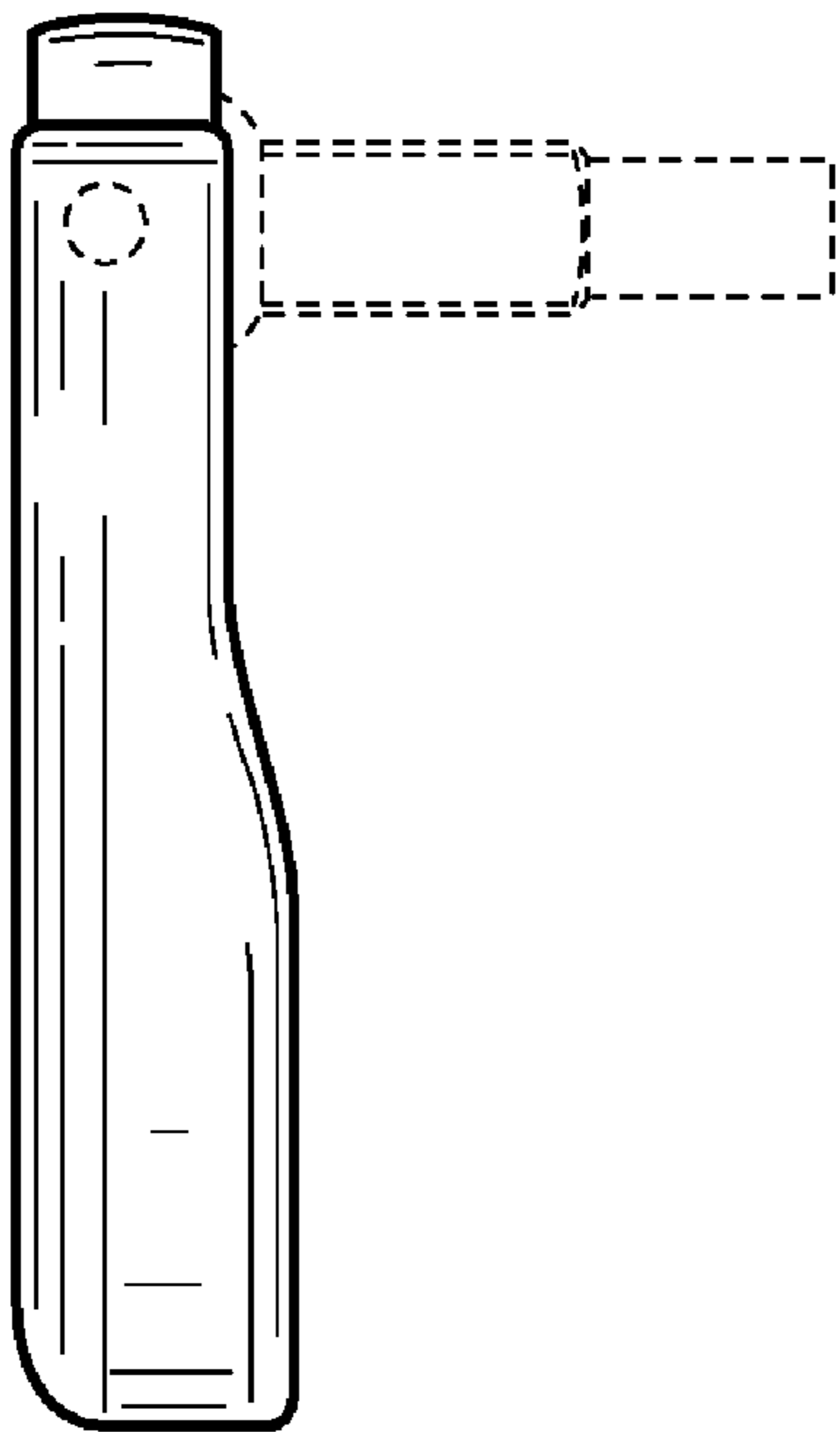


FIG. 5

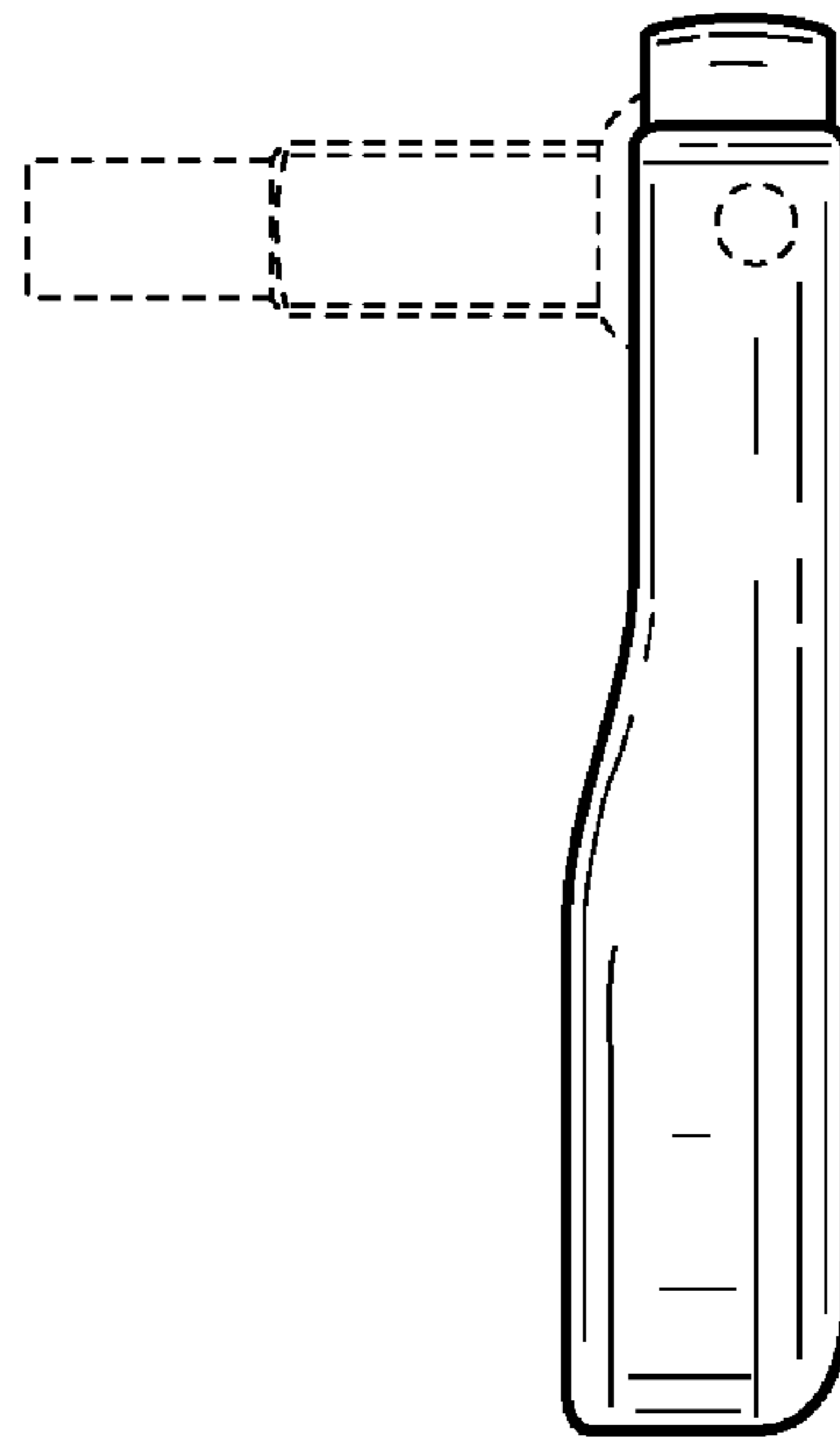


FIG. 6

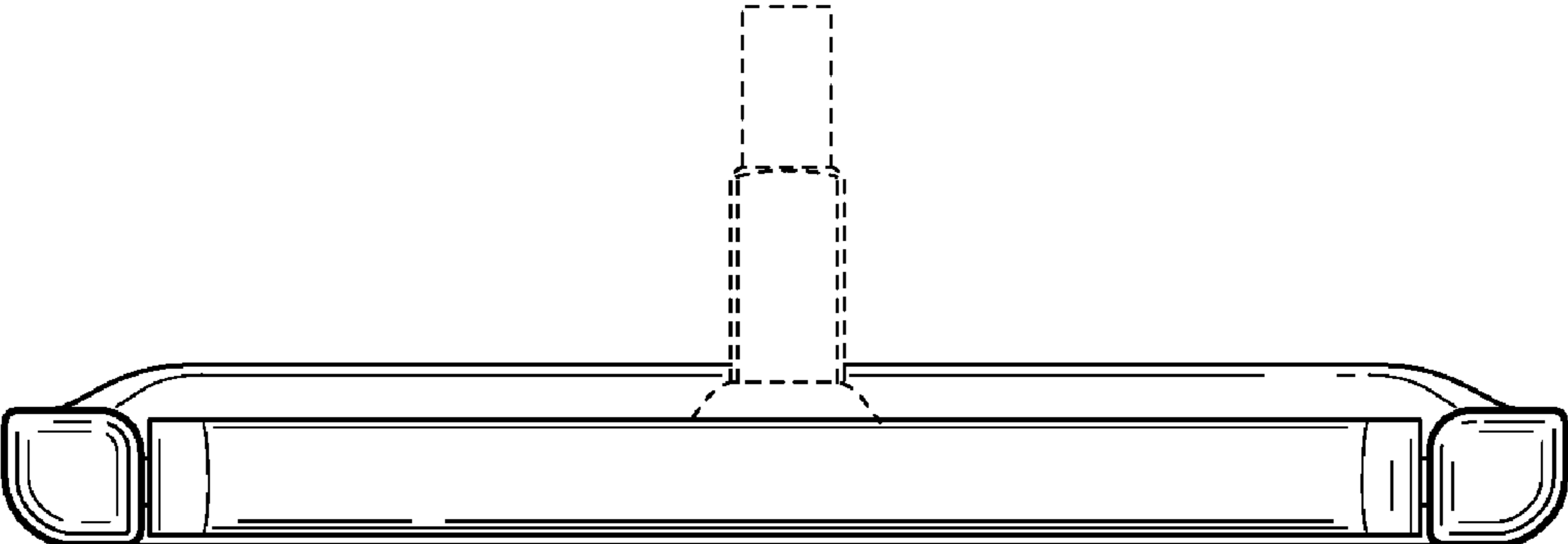


FIG. 7

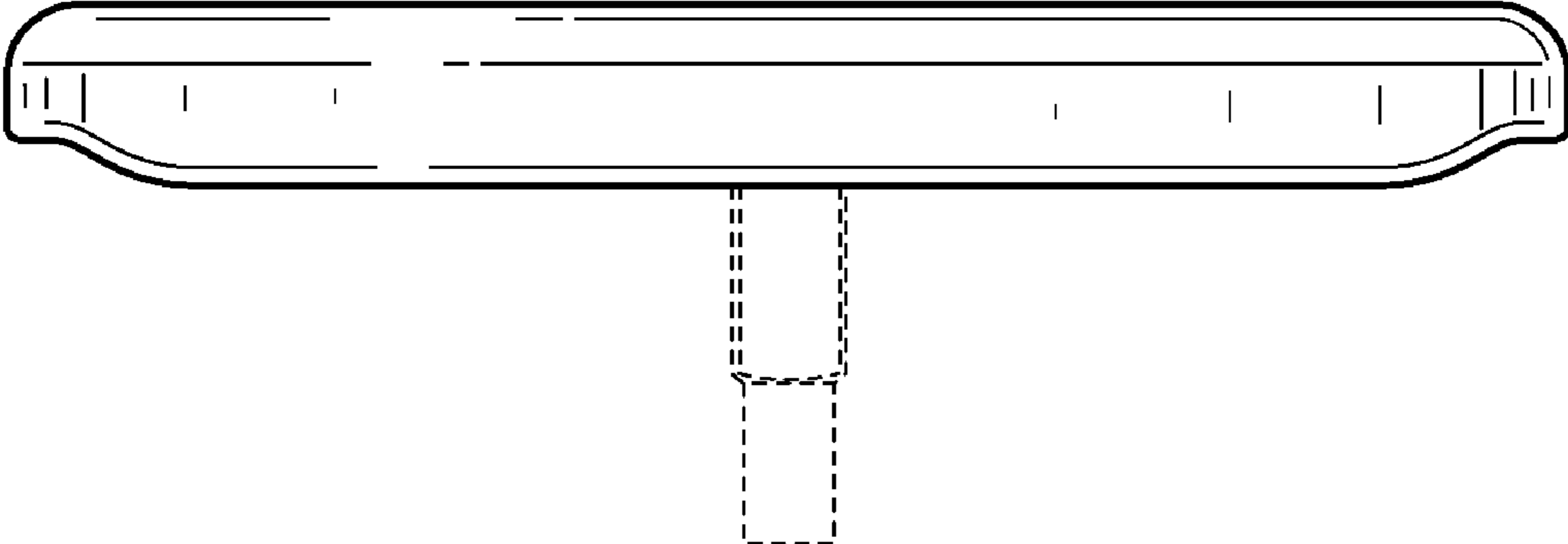


FIG. 8