



US00D625572S

(12) **United States Design Patent**
Hoertnagl

(10) **Patent No.:** **US D625,572 S**

(45) **Date of Patent:** **** Oct. 19, 2010**

(54) **HANDLE FOR A TOOL**

(75) Inventor: **Johann Hoertnagl**, Fulpmes (AT)

(73) Assignee: **Ing. Johann Hoertnagl-Werkzeuge GmbH**, Fulpmes (AT)

(**) Term: **14 Years**

(21) Appl. No.: **29/351,668**

(22) Filed: **Dec. 9, 2009**

(51) **LOC (9) Cl.** **08-05**

(52) **U.S. Cl.** **D8/45; D8/107**

(58) **Field of Classification Search** D8/45,
D8/107, 10, 13, 14; D32/52; 15/235.04,
15/236.01, 143.1; 16/110.1, 421, 430; 81/177.1,
81/489

See application file for complete search history.

(56) **References Cited**

U.S. PATENT DOCUMENTS

D329,185 S *	9/1992	Hasegawa	D8/107
D365,257 S *	12/1995	Huang	D8/10
5,522,111 A *	6/1996	Kelsay et al.	15/235.4
D397,021 S *	8/1998	Hortnagl	D8/107
5,850,663 A *	12/1998	Hardy et al.	15/236.01
6,205,610 B1 *	3/2001	Westthorp	15/235.4
6,223,384 B1 *	5/2001	Kuhlen	15/235.4
D483,244 S *	12/2003	Chen	D8/107
D528,897 S *	9/2006	Wang	D8/107
D569,215 S *	5/2008	Chiu	D8/107
7,370,384 B2 *	5/2008	Miller et al.	15/236.08

* cited by examiner

Primary Examiner—Prabhakar Deshmukh

(74) *Attorney, Agent, or Firm*—Laurence A. Greenberg;
Werner H. Stemer; Ralph E. Locher

(57) **CLAIM**

The ornamental design for a handle for a tool, as shown and described.

DESCRIPTION

FIG. 1 is a right perspective view of a handle for a tool showing my new design;

FIG. 2 is a left side elevational view thereof;

FIG. 3 is a top plan view thereof;

FIG. 4 is a bottom plan view thereof;

FIG. 5 is a rear elevational view thereof;

FIG. 6 is a front elevational view thereof;

FIG. 7 is a right perspective view of second embodiment of handle for a tool thereof;

FIG. 8 is a left side elevational view of FIG. 7;

FIG. 9 is a top plan view of FIG. 7;

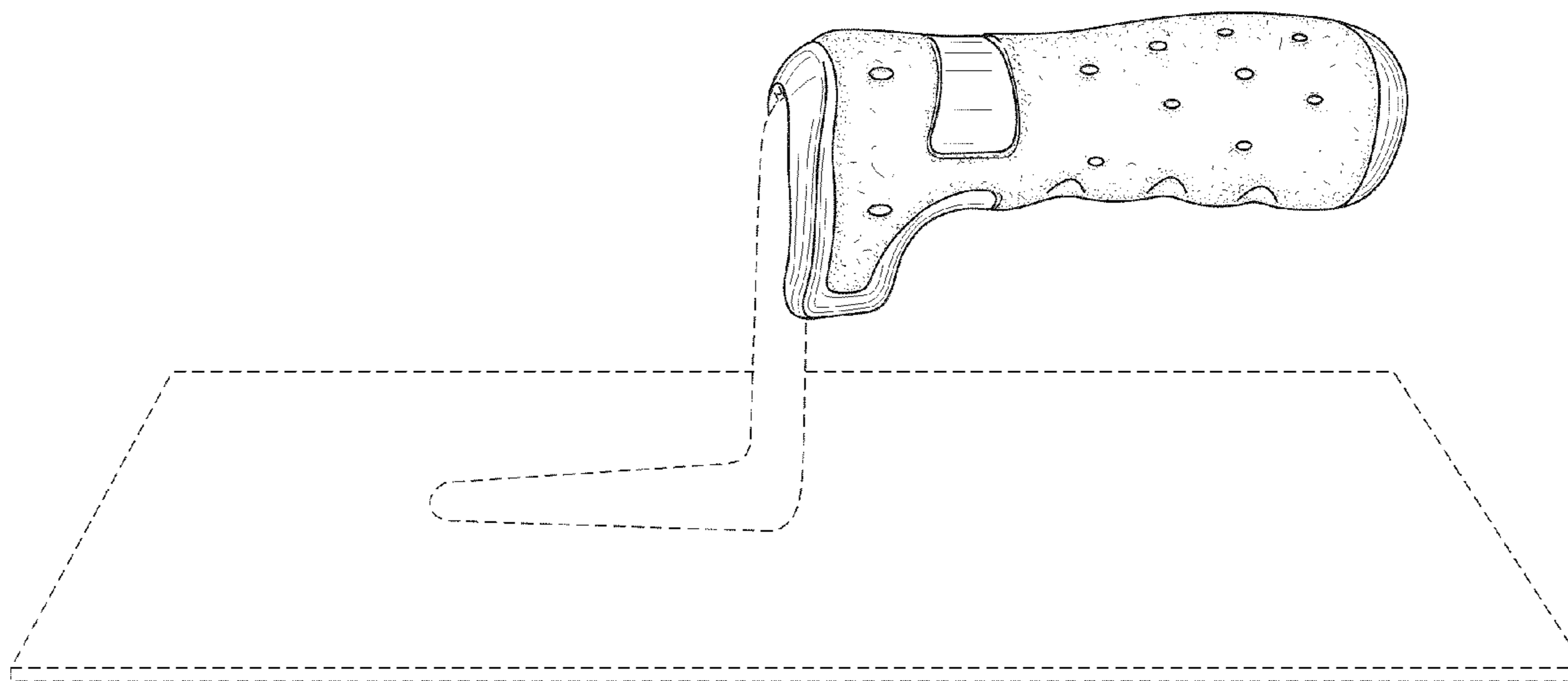
FIG. 10 is a bottom plan view of FIG. 7;

FIG. 11 is a rear elevational view of FIG. 7; and,

FIG. 12 is a front elevational view of FIG. 7.

The broken lines environment show in FIGS. 1 and 7 is for illustrative purpose only and forms no part of the claimed design.

1 Claim, 4 Drawing Sheets



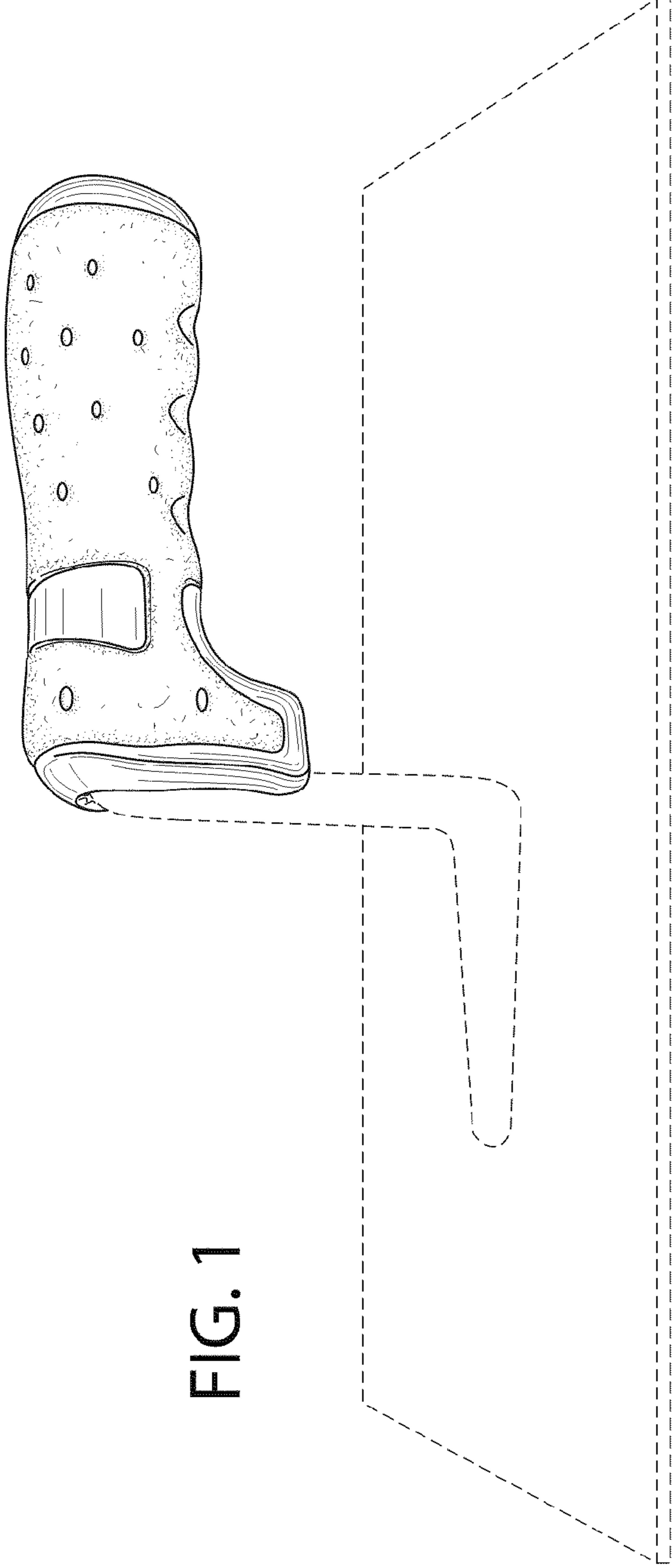


FIG. 1

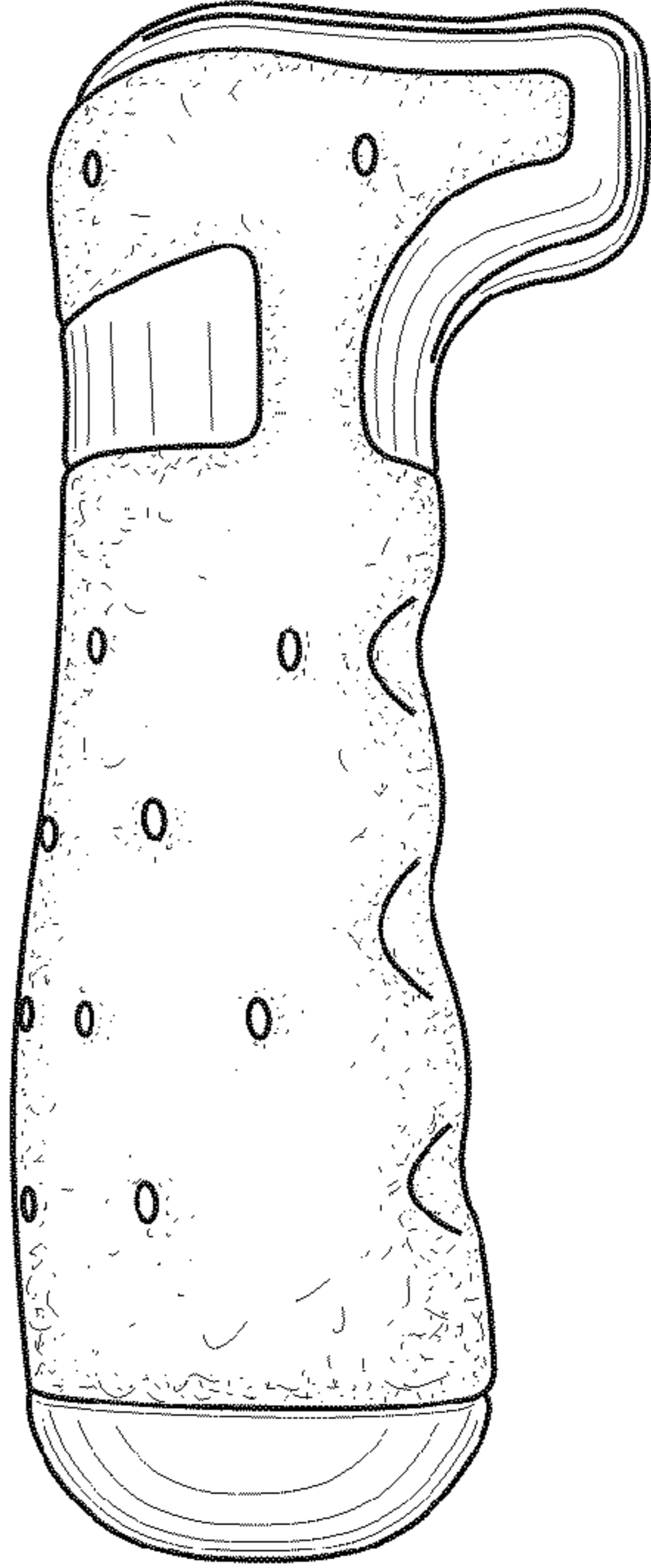


FIG. 2

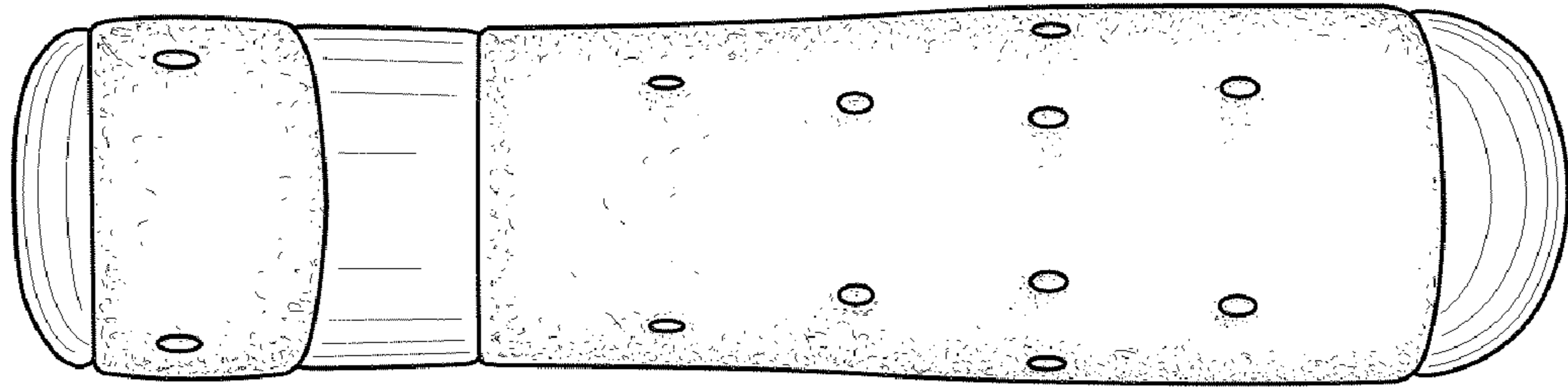


FIG. 3

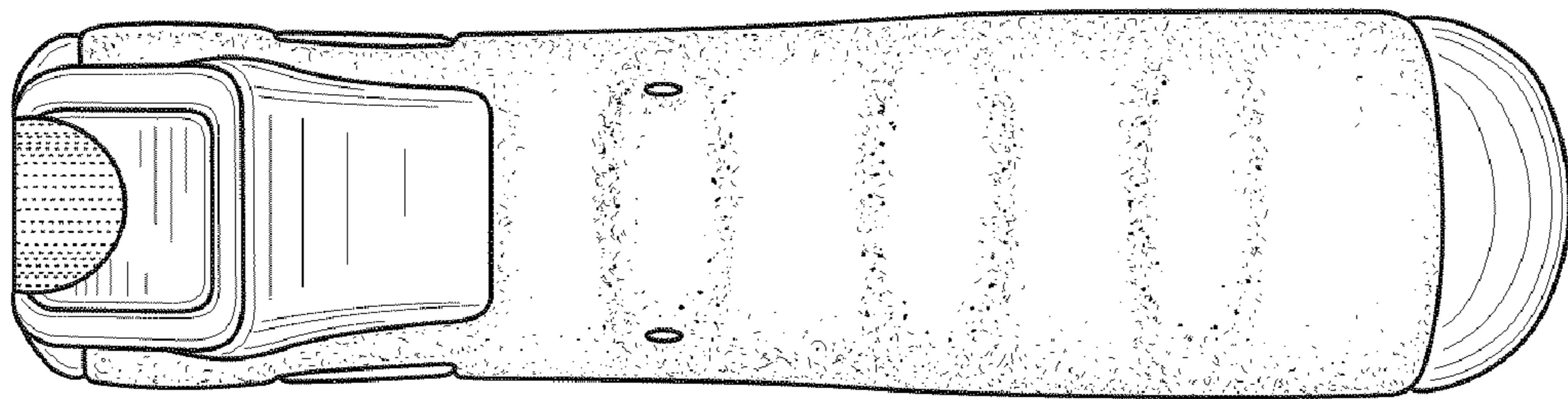


FIG. 4

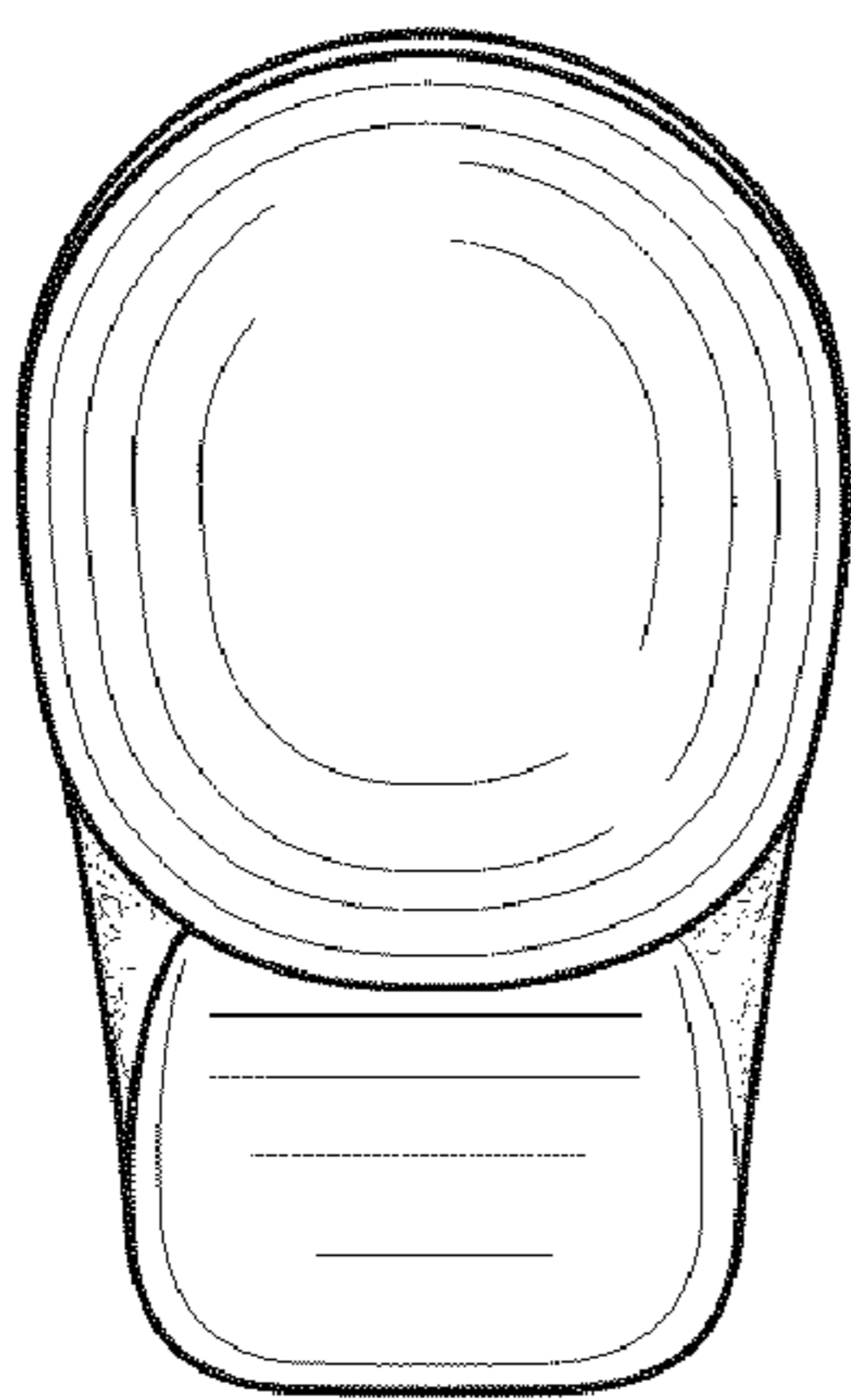


FIG. 5

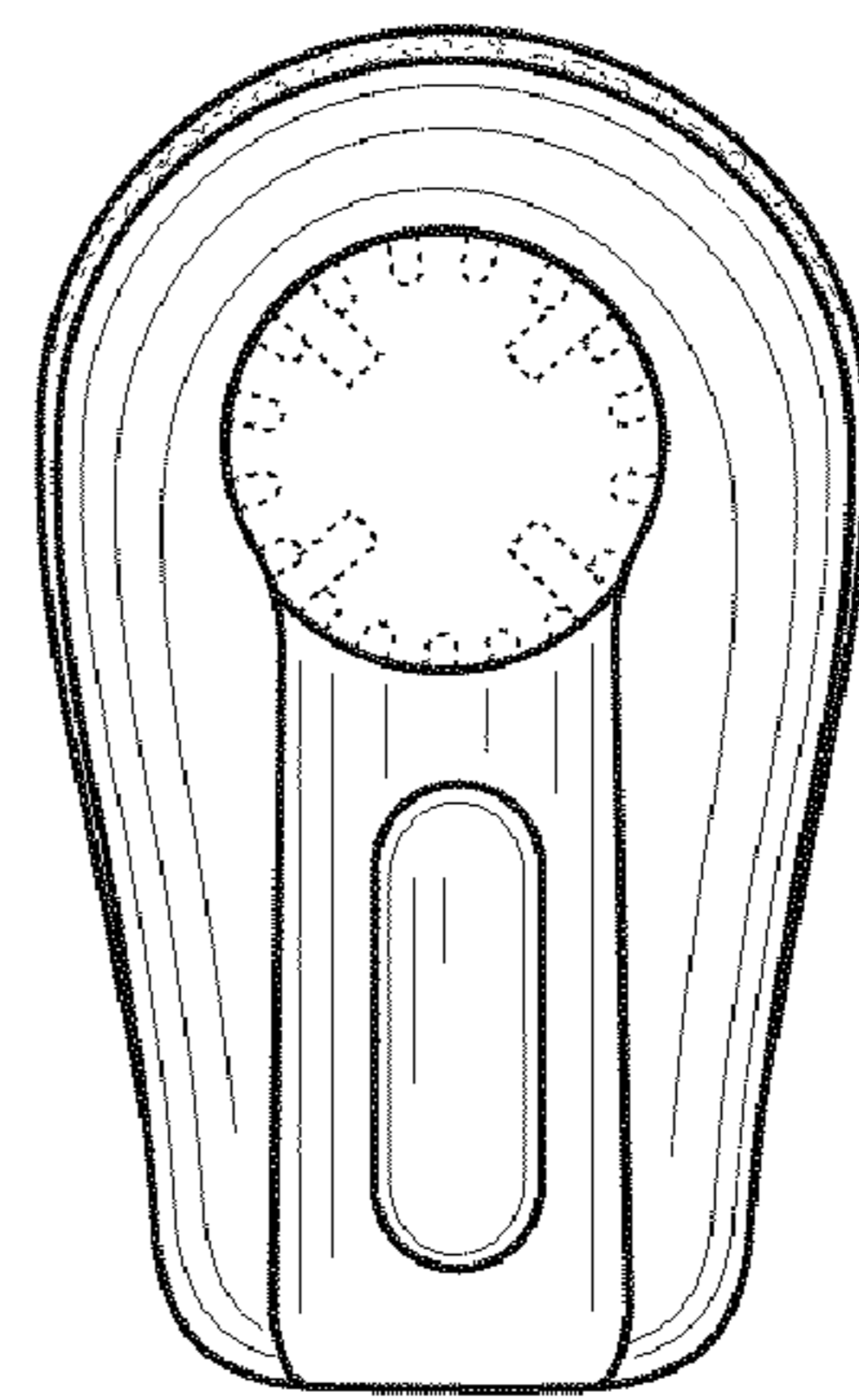


FIG. 6

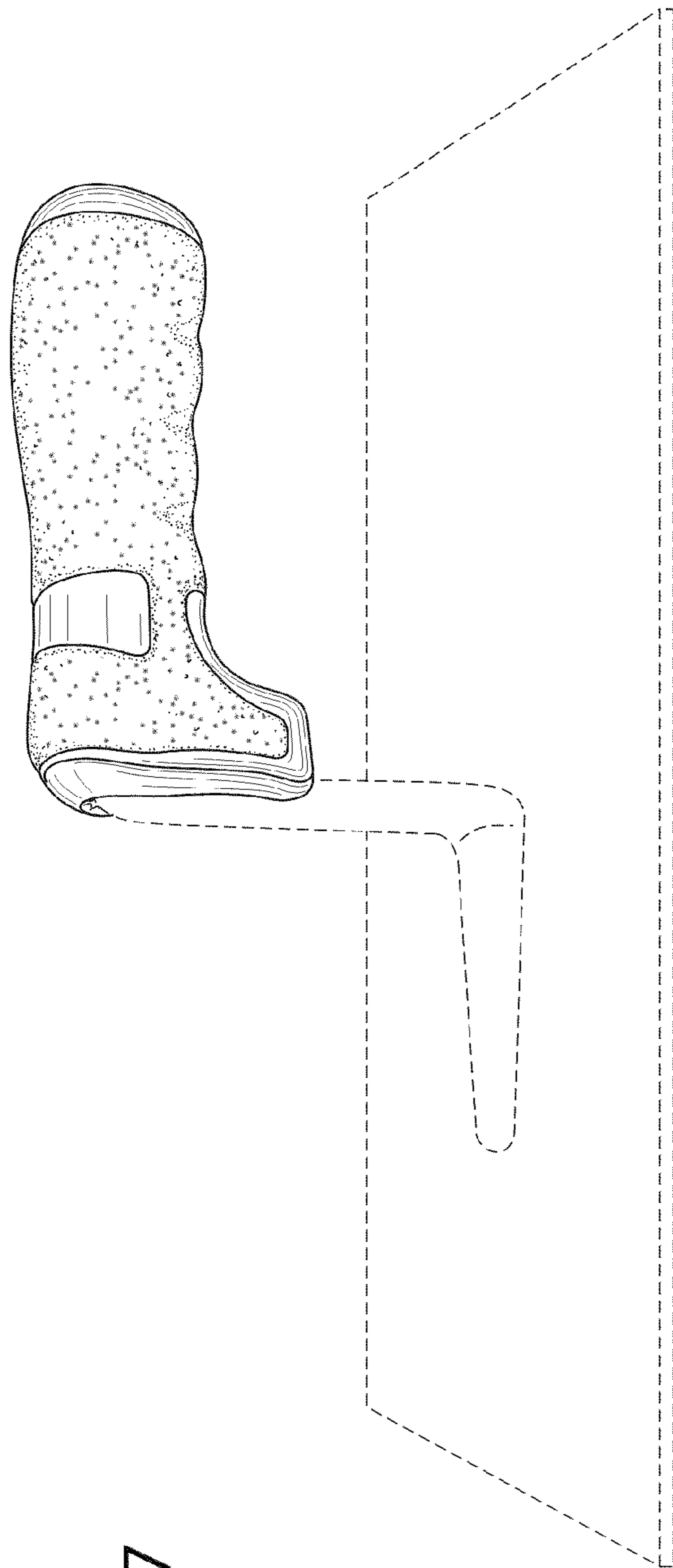


FIG. 7

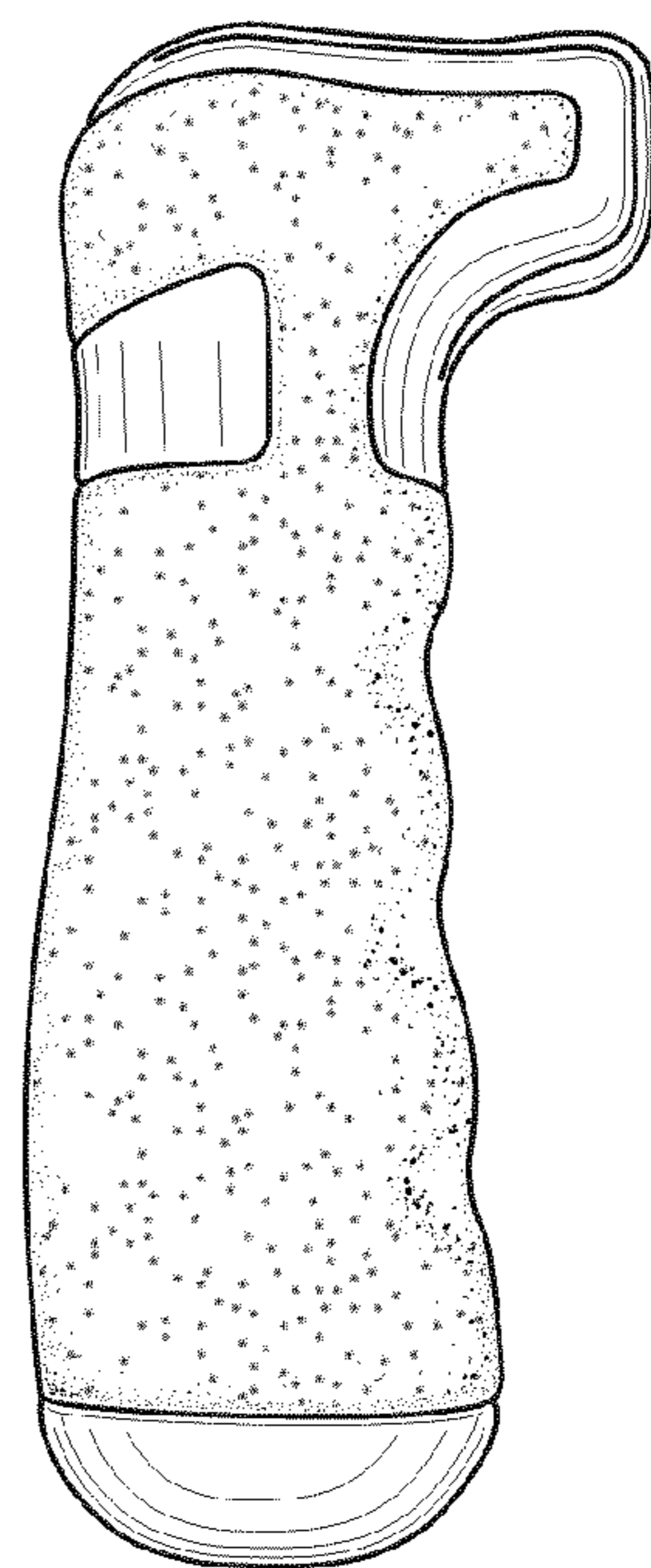


FIG. 8

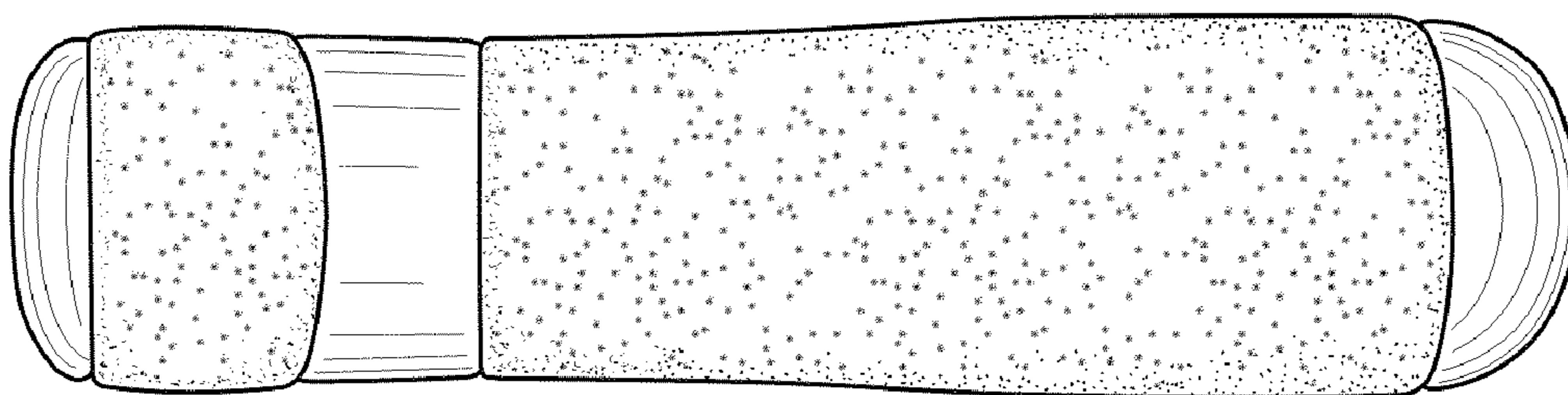


FIG. 9

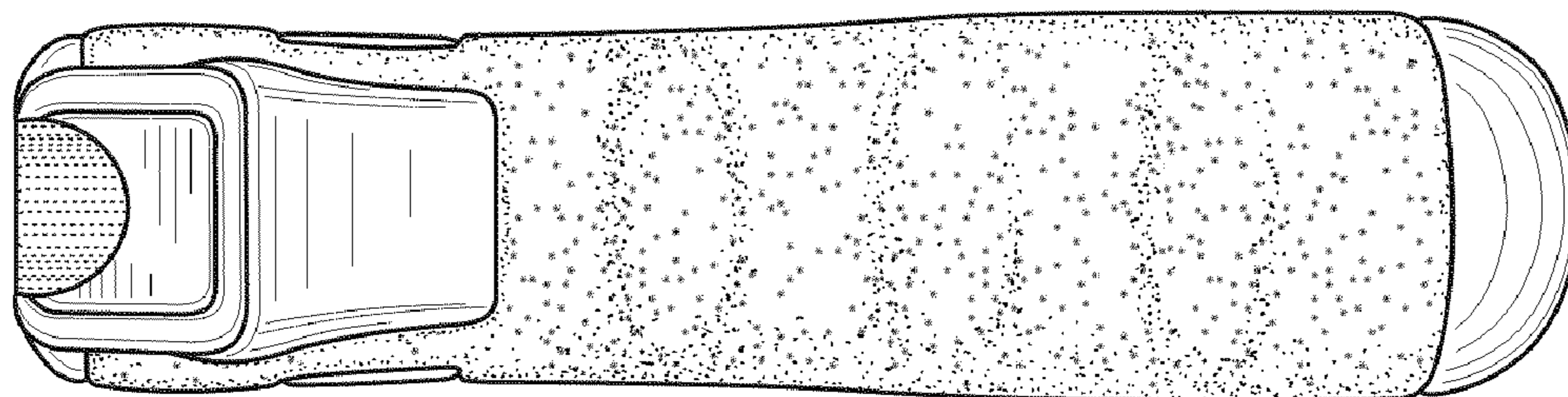


FIG. 10

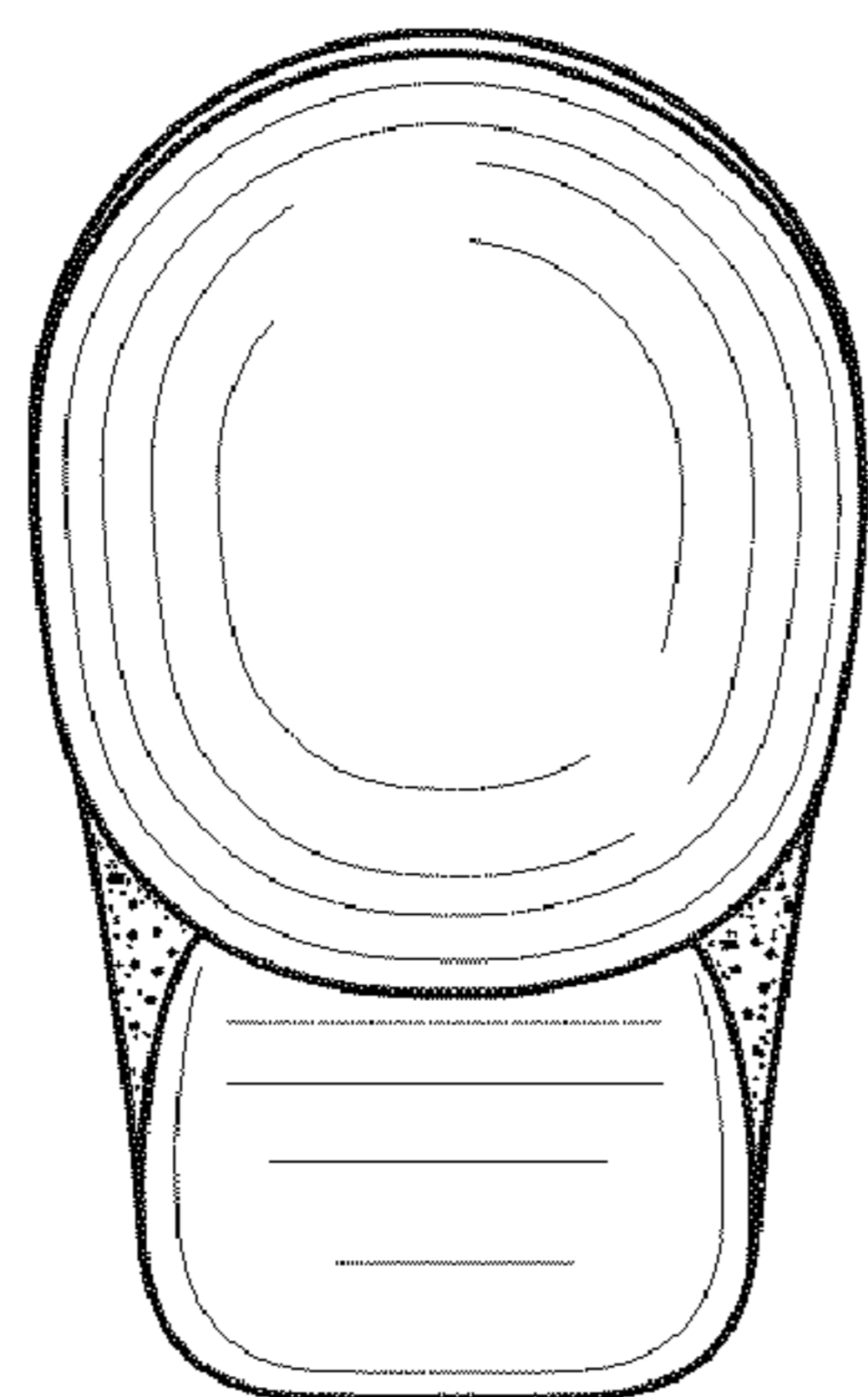


FIG. 11

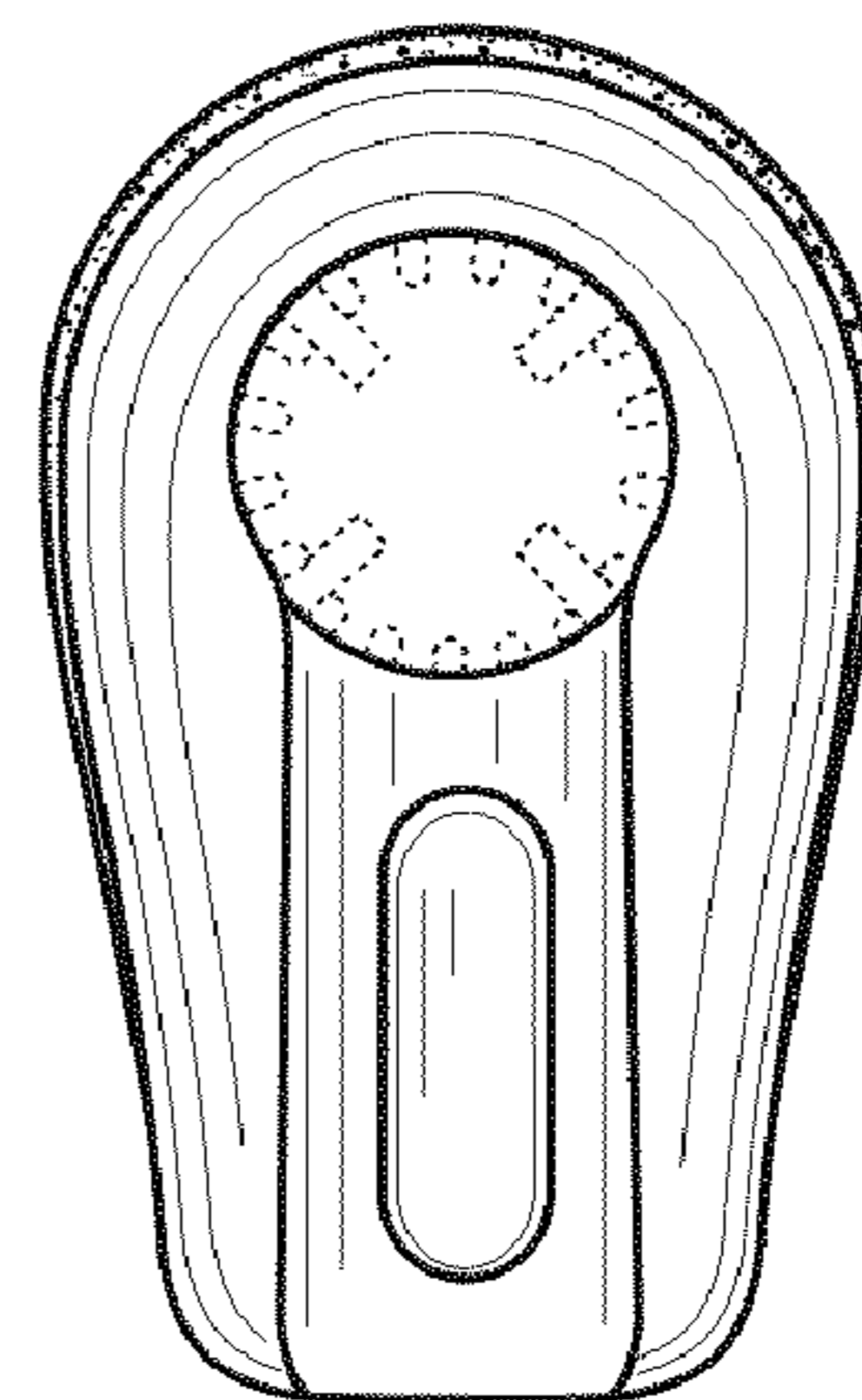


FIG. 12