



US00D625569S

(12) **United States Design Patent**
Stewart

(10) **Patent No.:** **US D625,569 S**

(45) **Date of Patent:** **** Oct. 19, 2010**

(54) **THREE BLADED CUTTER FOR BROWNIES AND THE LIKE**

(76) Inventor: **Rachael E. Stewart**, 36500 Pepper Dr., Solon, OH (US) 44139

(**) Term: **14 Years**

(21) Appl. No.: **29/348,947**

(22) Filed: **Feb. 24, 2010**

(51) **LOC (9) Cl.** **07-04**

(52) **U.S. Cl.** **D7/673**

(58) **Field of Classification Search** D7/672-677, D7/669, 368, 349; 30/304, 305

See application file for complete search history.

(56) **References Cited**

U.S. PATENT DOCUMENTS

608,337 A	8/1898	Merkle	30/304
639,850 A	12/1899	Hahn	30/304
760,255 A	5/1904	Roy et al.	30/304
1,128,479 A	2/1915	McPherson	30/304
1,176,257 A *	3/1916	Velcansky	30/304
1,176,317 A	3/1916	Roberts	30/304
1,205,871 A	11/1916	Dwyer	30/304
1,213,681 A *	1/1917	Norton	30/305
1,218,389 A	3/1917	Fougere	30/304
1,342,383 A	6/1920	Horvath	30/304
1,364,863 A	1/1921	Buchtel	30/303
1,424,389 A	8/1922	Wyatt	30/304
1,446,767 A	2/1923	Price	30/303
1,462,717 A	7/1923	Maus	269/13
1,463,941 A	8/1923	Cusimano	30/303
1,495,211 A	5/1924	Smolk	30/305
1,530,796 A	3/1925	Thomsen	30/307
1,688,283 A	10/1928	Matzelle	30/305
1,697,902 A	1/1929	Burke	30/305
1,706,934 A	3/1929	Miles et al.	30/114
1,814,528 A	7/1931	Purcell	30/304
1,858,790 A	5/1932	Schneider	30/366
D88,766 S *	12/1932	Garrett	D7/649
2,417,172 A	3/1947	Norman	30/115
2,557,539 A	6/1951	Henrickson	30/287
2,656,601 A	10/1953	Albritton	30/305

2,661,535 A	12/1953	Berles	30/305
2,986,815 A *	6/1961	Fernald et al.	30/304
3,302,591 A	2/1967	Schmidt	107/15
3,349,824 A	10/1967	Trenor	146/203
3,727,307 A *	4/1973	Berger	30/304

(Continued)

Primary Examiner—Terry A Wallace

(74) *Attorney, Agent, or Firm*—David A. Burge

(57) **CLAIM**

I claim the ornamental design for a three bladed cutter for brownies and the like, as shown and described.

DESCRIPTION

FIG. 1 is a perspective view of a first embodiment of my invention that has unserrated blade edges, with the view showing mainly front, top and right end features of the first embodiment;

FIG. 2 is a front view thereof;

FIG. 3 is a rear view thereof;

FIG. 4 is a top view thereof;

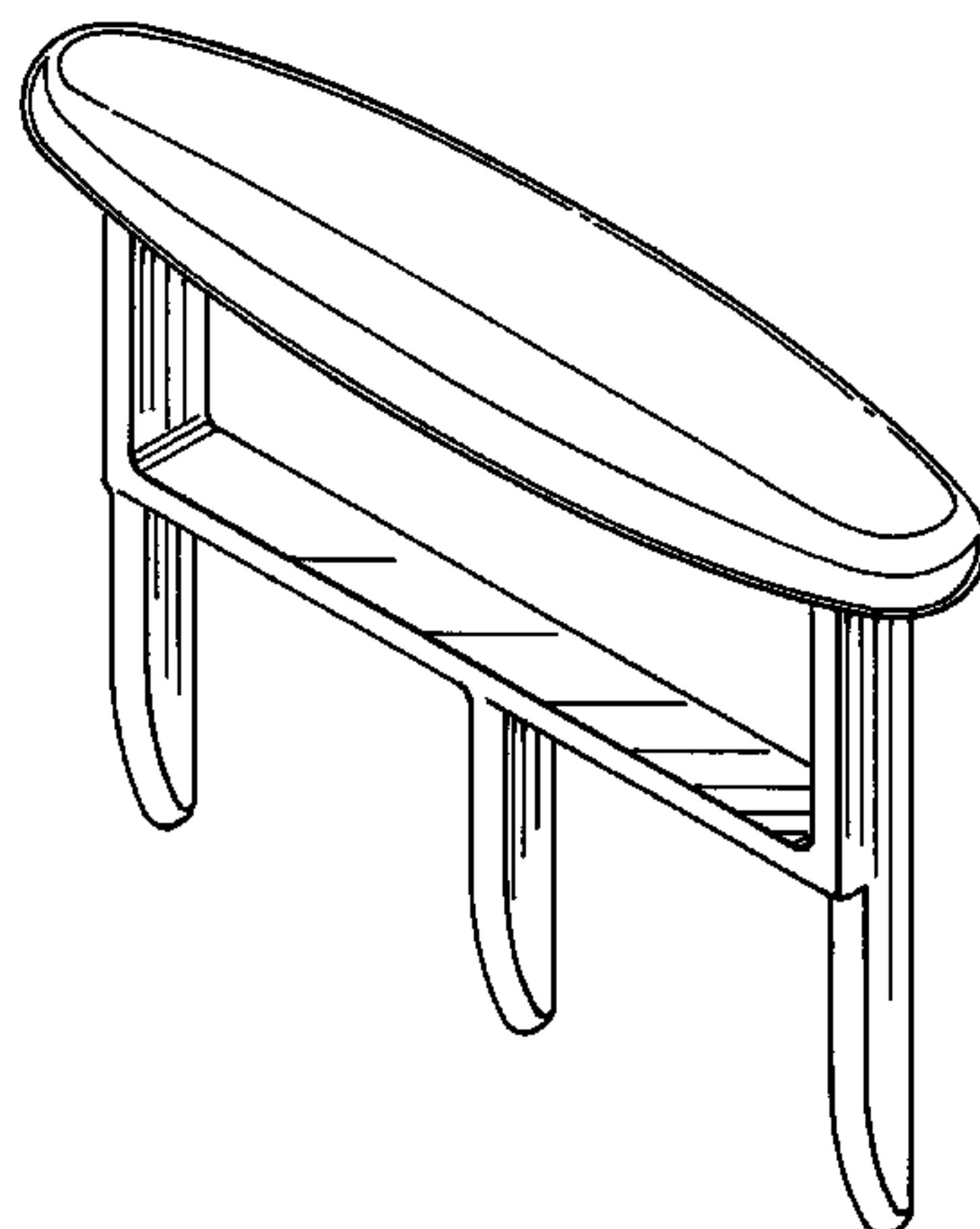
FIG. 5 is a bottom view thereof;

FIG. 6 is a right end view thereof, the left end view being a mirror image thereof; and,

FIG. 7 is a perspective view of a second embodiment of my invention that is identical to the first embodiment except that the second embodiment has serrated blade edges, with the view showing mainly front, top and right end features of the second embodiment.

The design includes appearance features of a cutter for brownies and the like that has three equally spaced knife-like blades depending from a horizontally extending crossbar of generally rectangular cross-section that is spaced beneath a horizontally extending handle of rounded, generally ovular shape supported near opposite ends by a pair of uprights of generally rectangular cross-section that project upwardly from the crossbar at locations where two of the blades depend from opposite ends of the crossbar.

1 Claim, 4 Drawing Sheets



US D625,569 S

Page 2

U.S. PATENT DOCUMENTS

4,055,892 A	11/1977	Del Vecchio	30/303	5,533,269 A	7/1996	Pickens et al.	30/304
4,195,402 A	4/1980	Leffer	30/114	D400,766 S	11/1998	Ferguson	D7/673
D260,841 S	9/1981	Gilmore	D7/43	5,848,470 A	12/1998	Anderson	30/277
4,625,404 A	12/1986	Valente et al.	30/114	D416,177 S	11/1999	Hood	D7/673
4,648,300 A	3/1987	Hassenfelt, Jr.	83/762	6,009,786 A	1/2000	Hjelden	83/620
D298,603 S	11/1988	White	D8/98	D446,088 S	8/2001	Pardee	D7/673
D305,594 S	1/1990	Saliba	D7/43	6,276,918 B1	8/2001	Slaughter et al.	425/289
D327,821 S *	7/1992	Desbiens	D7/669	D448,968 S	10/2001	Davis et al.	D7/381
5,209,779 A	5/1993	Talerico	118/24	6,745,660 B2	6/2004	Caputo	83/761
D337,030 S	7/1993	Amaral	D7/672	D603,662 S *	11/2009	Goode et al.	D7/673

* cited by examiner

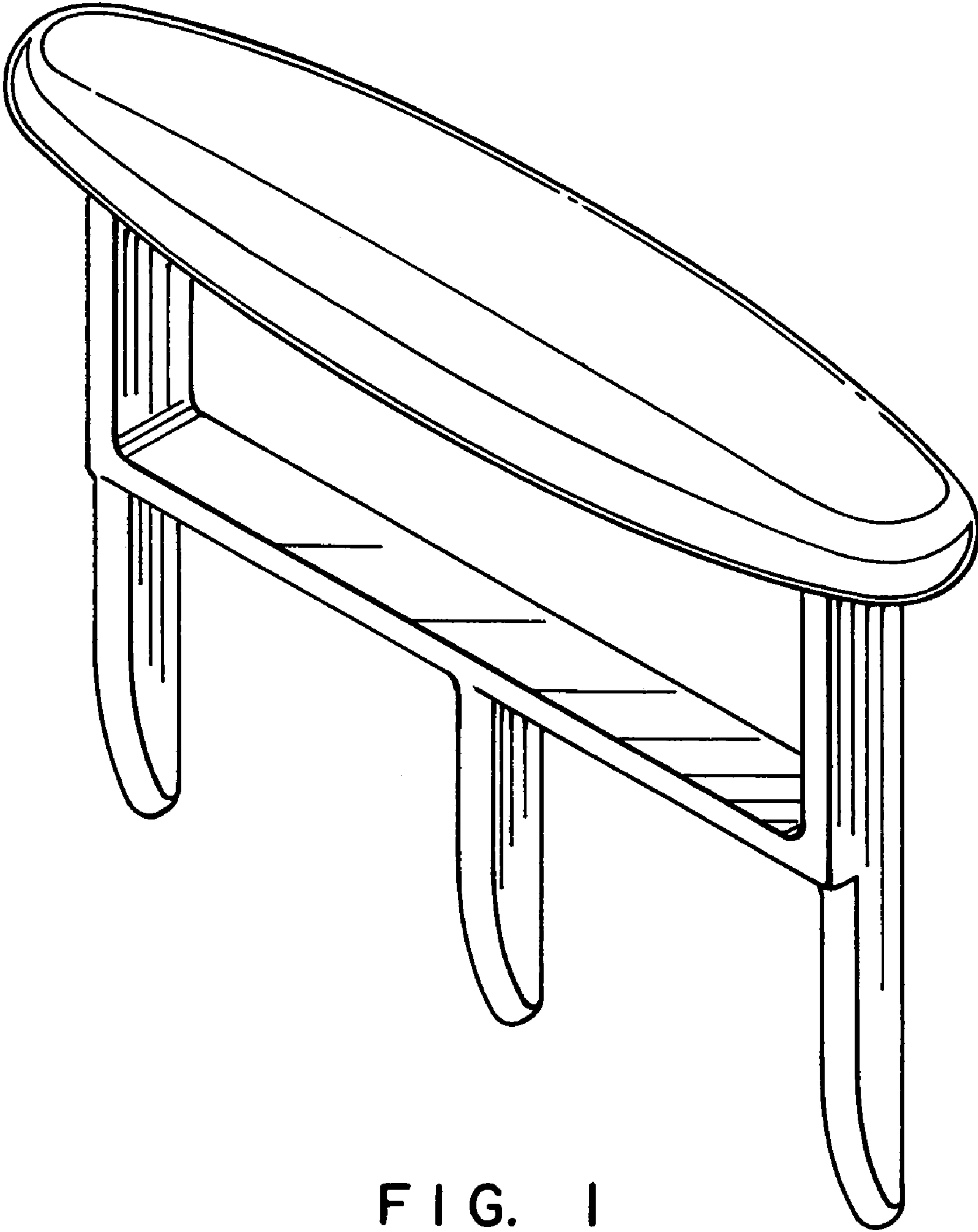


FIG. 1

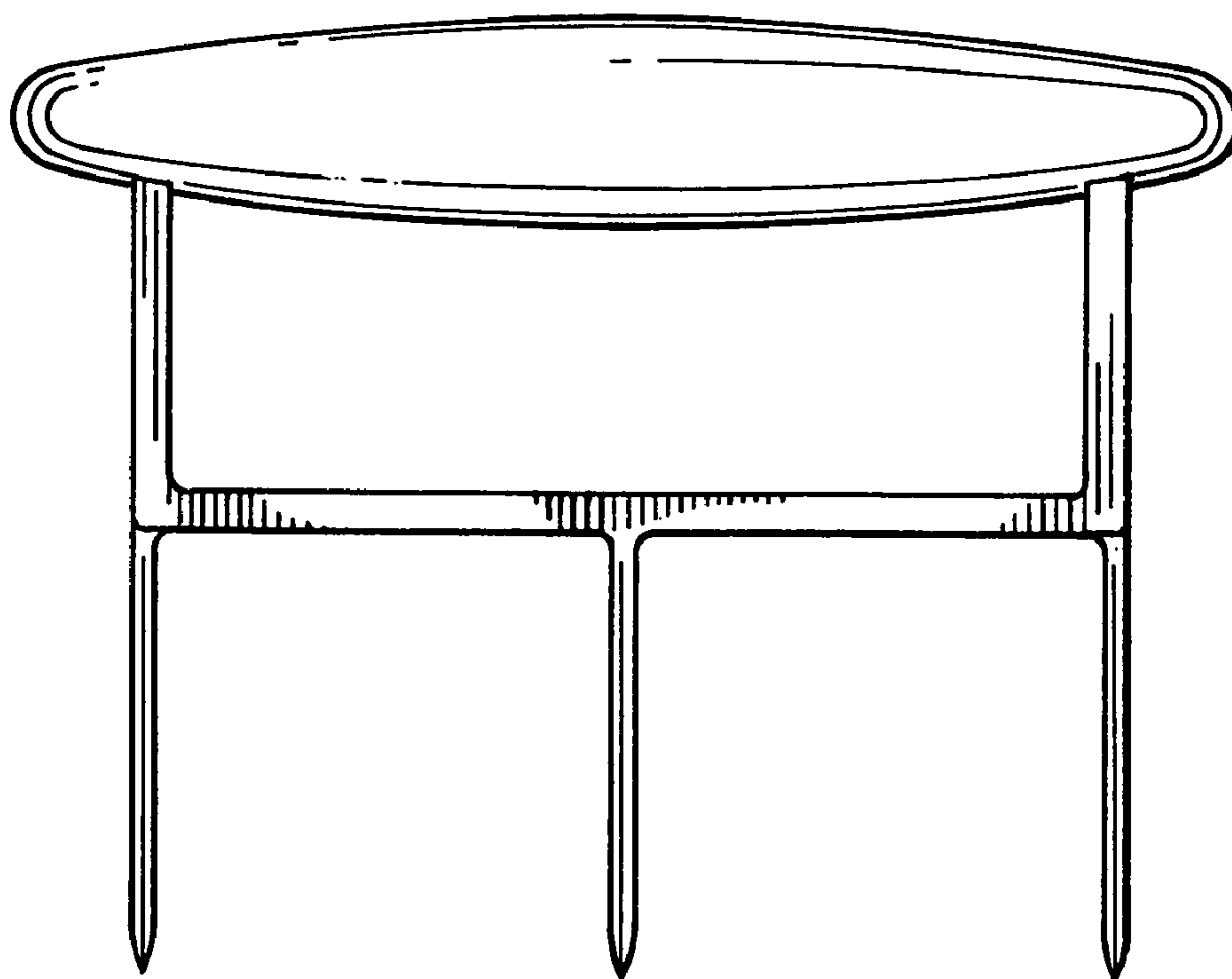


FIG. 2

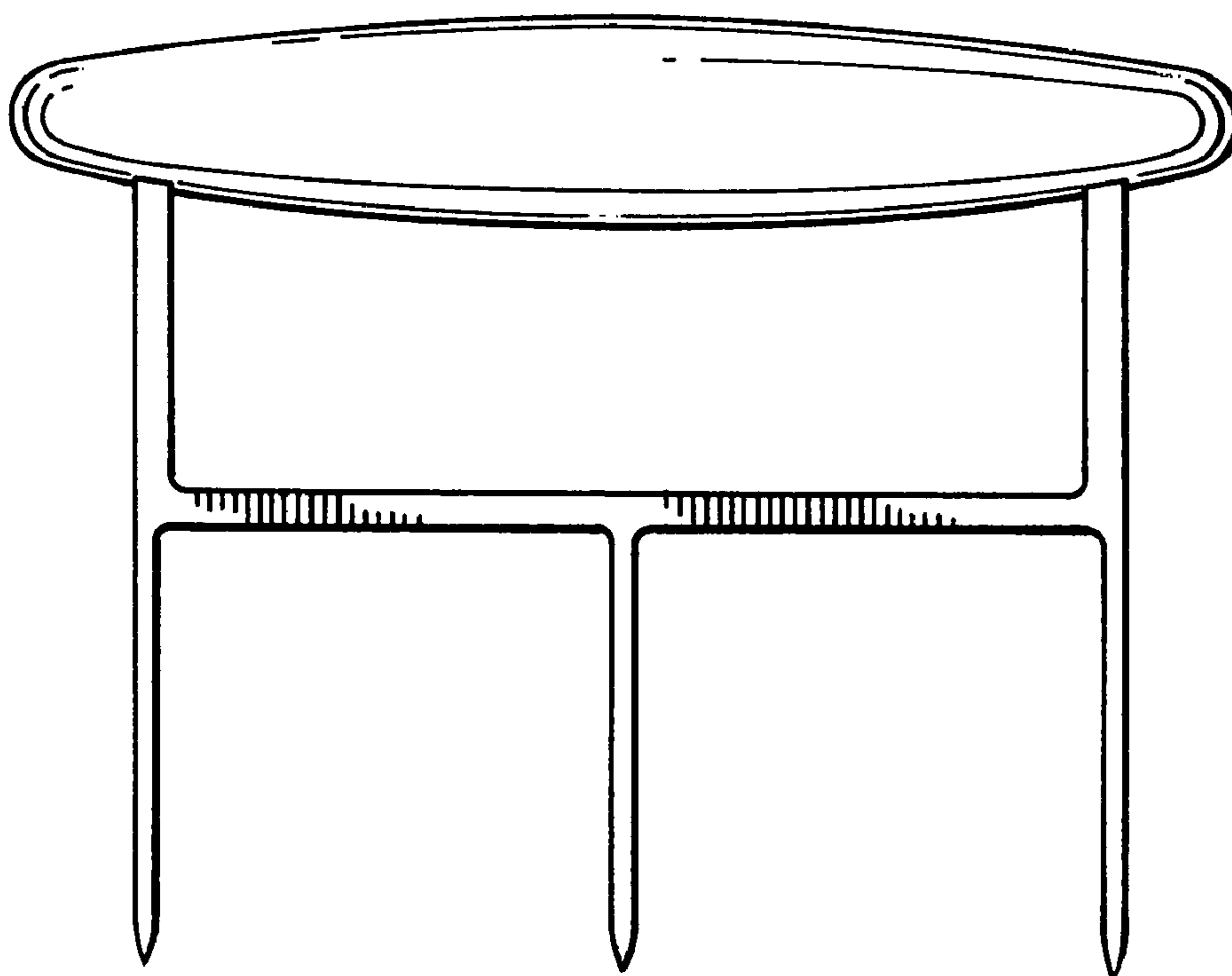


FIG. 3

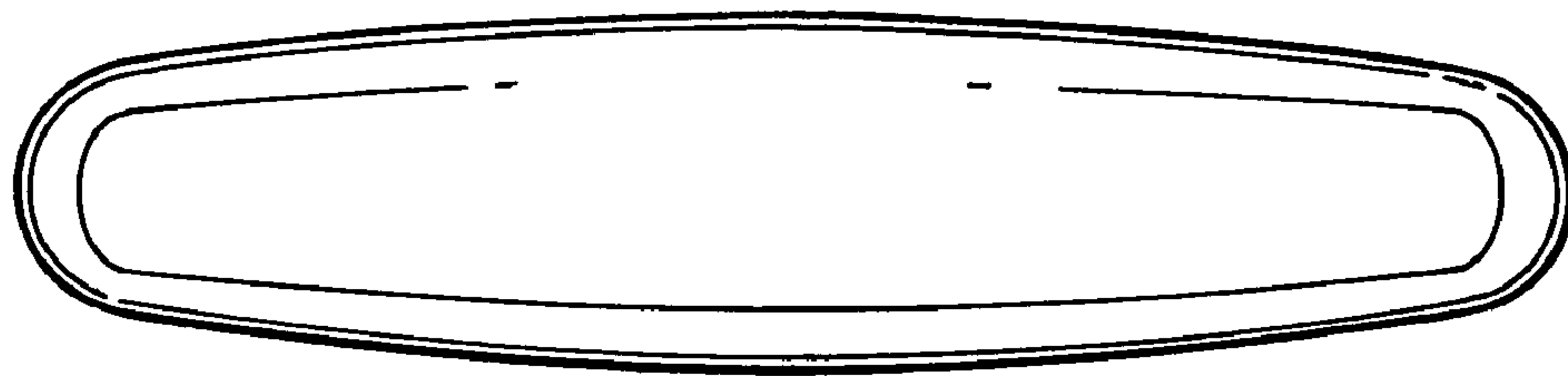


FIG. 4

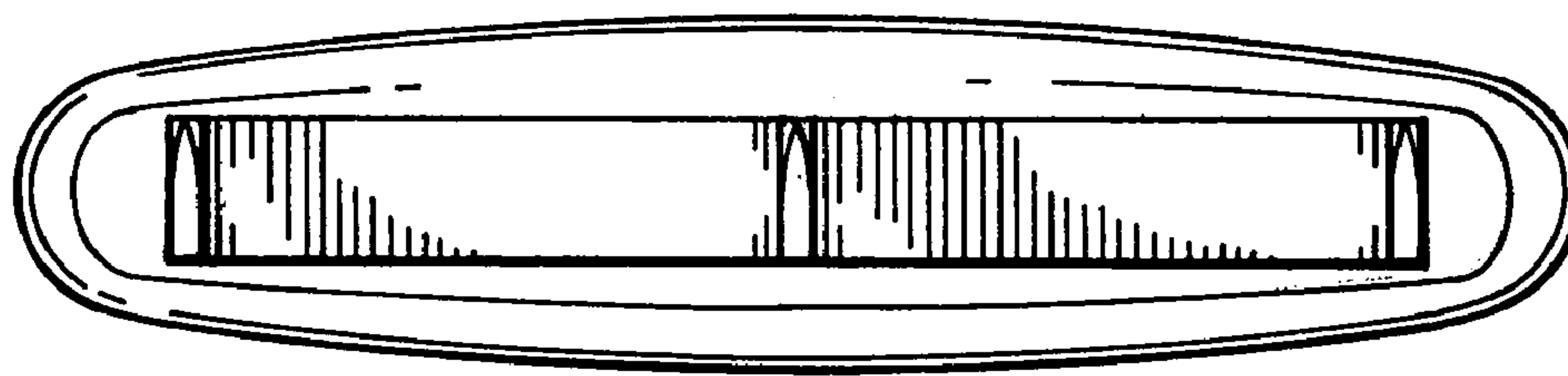


FIG. 5

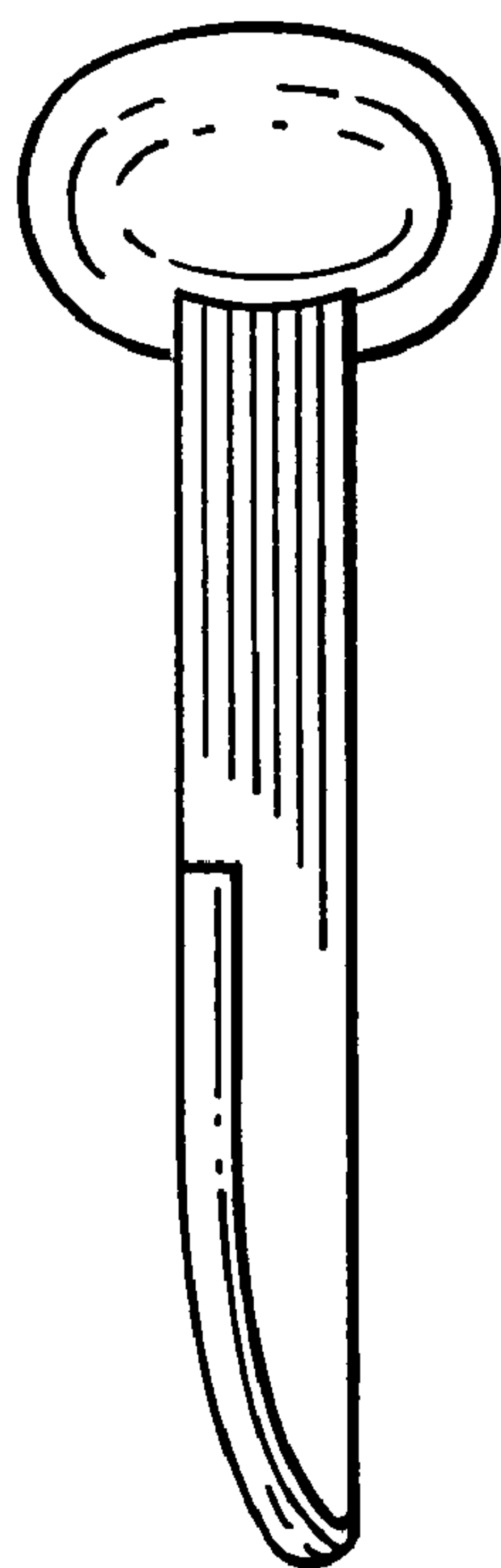


FIG. 6

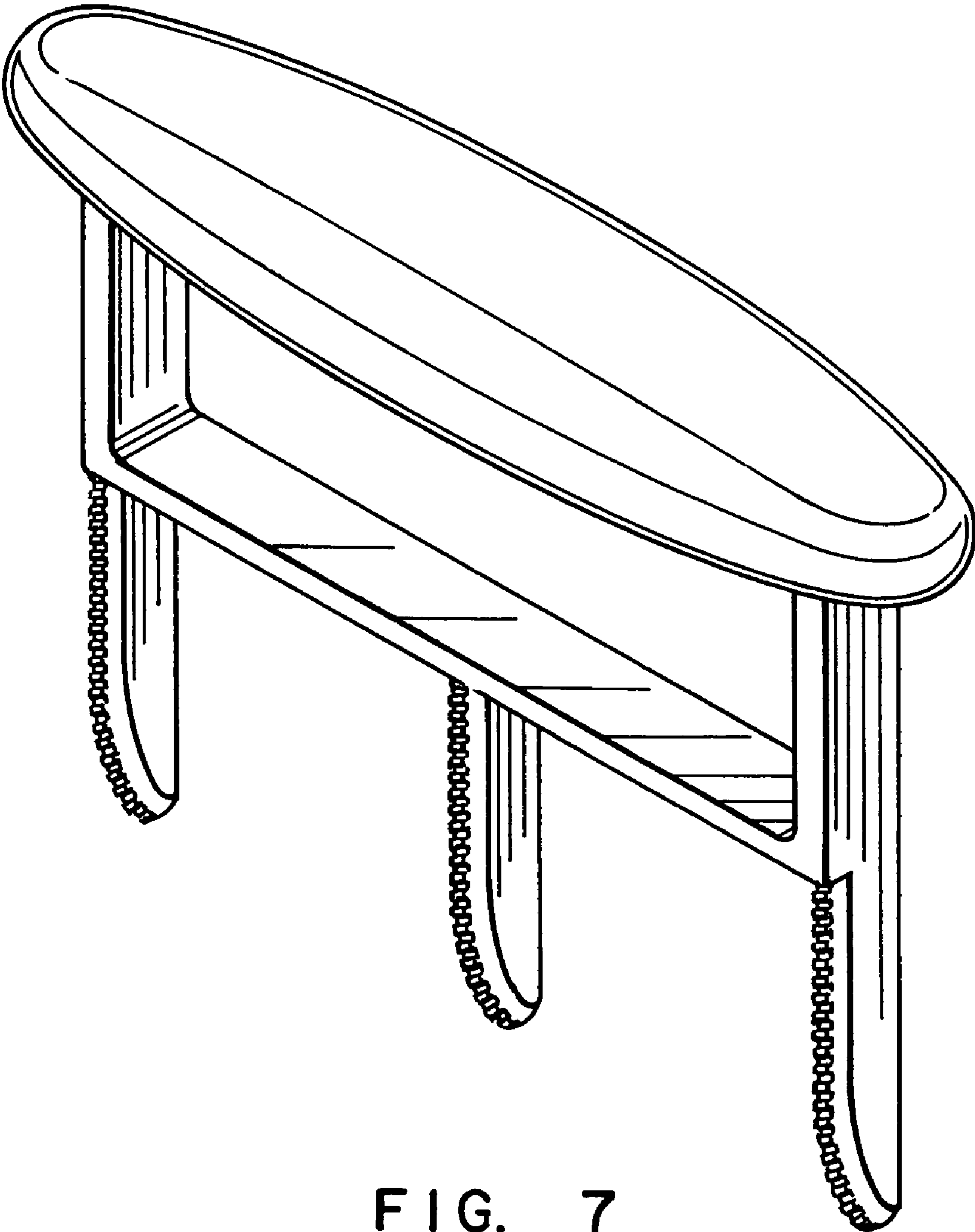


FIG. 7