



US00D625568S

(12) **United States Design Patent**
Wong

(10) **Patent No.:** **US D625,568 S**

(45) **Date of Patent:** **** Oct. 19, 2010**

(54) **FOOD CHOPPER**

2004/0217219 A1* 11/2004 Bitonto et al. 241/95

(76) Inventor: **Yan Kwong Wong**, Unit 818-822, 8th
Floor, Metro Centre II, 21 Lam Hing
Street, Kowloon Bay, Kowloon (HK)

* cited by examiner

Primary Examiner—Terry A Wallace
(74) *Attorney, Agent, or Firm*—Law Office of Sergei Orel,
LLC

(**) Term: **14 Years**

(21) Appl. No.: **29/348,158**

(57) **CLAIM**

(22) Filed: **Dec. 3, 2009**

The ornamental design for a food chopper, as shown and
described.

(51) **LOC (9) Cl.** **07-04**

(52) **U.S. Cl.** **D7/673**

(58) **Field of Classification Search** D7/672–676,
D7/693, 678, 381, 368, 669; 241/92–95,
241/100, 168, 169, 169.1, 273.1–273.4; 30/114,
30/278, 279.6, 280, 287, 283, 286, 389–391
See application file for complete search history.

DESCRIPTION

FIG. 1 is a front view of the food chopper showing my new
design;

FIG. 2 is a side view thereof;

FIG. 3 is a rear view thereof;

FIG. 4 is an opposite side view thereof;

FIG. 5 is a top view thereof;

FIG. 6 is a bottom view thereof;

FIG. 7 is a perspective view thereof;

FIG. 8 is an additional perspective view thereof; and,

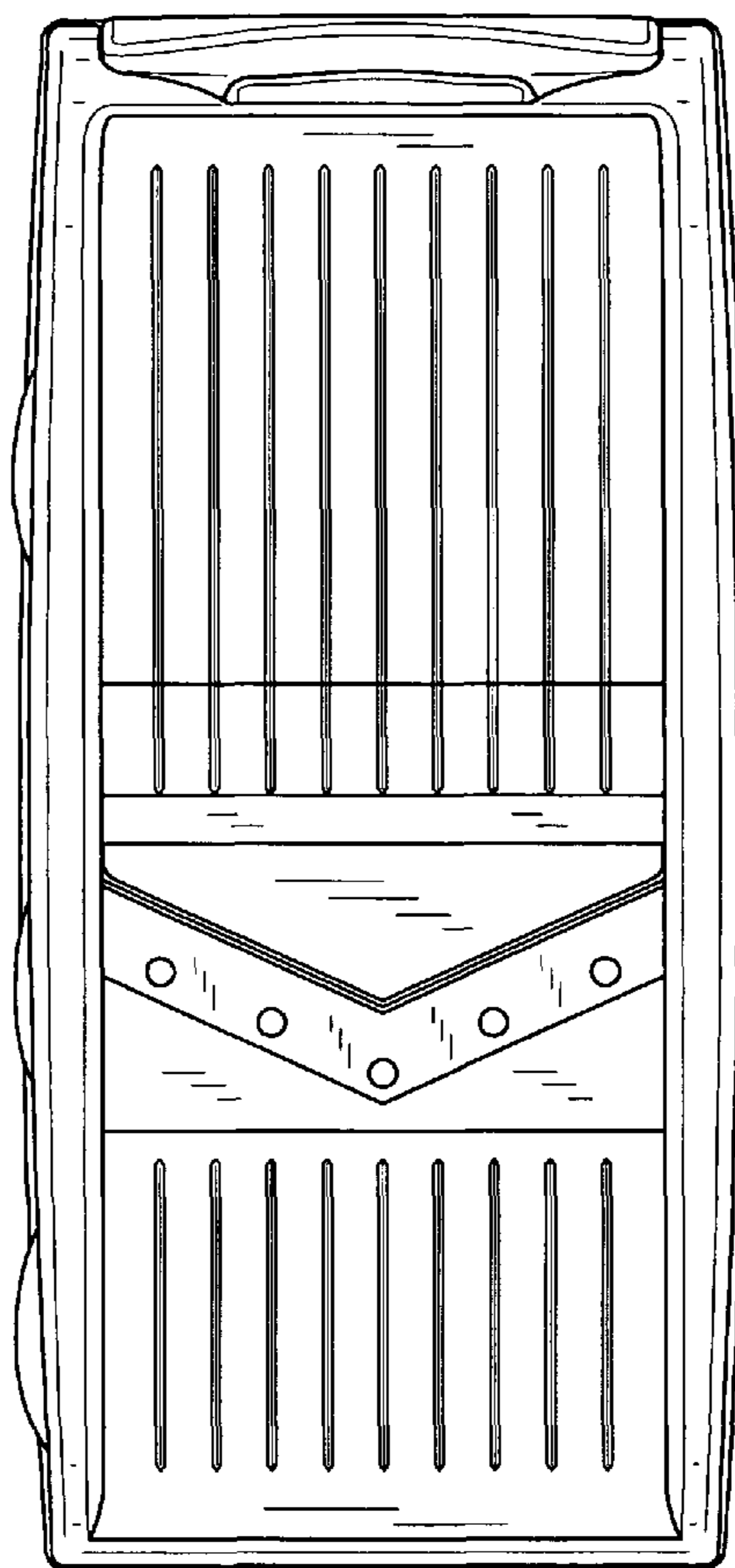
FIG. 9 is a disassembled view thereof.

(56) **References Cited**

U.S. PATENT DOCUMENTS

4,212,431	A *	7/1980	Doyel	241/100
5,745,999	A *	5/1998	Zirkiev	30/278
D408,693	S *	4/1999	Wong	D7/667
D447,391	S *	9/2001	Bodum	D7/678
D535,161	S *	1/2007	So	D7/673
D573,853	S *	7/2008	Ericsson	D7/672

1 Claim, 5 Drawing Sheets



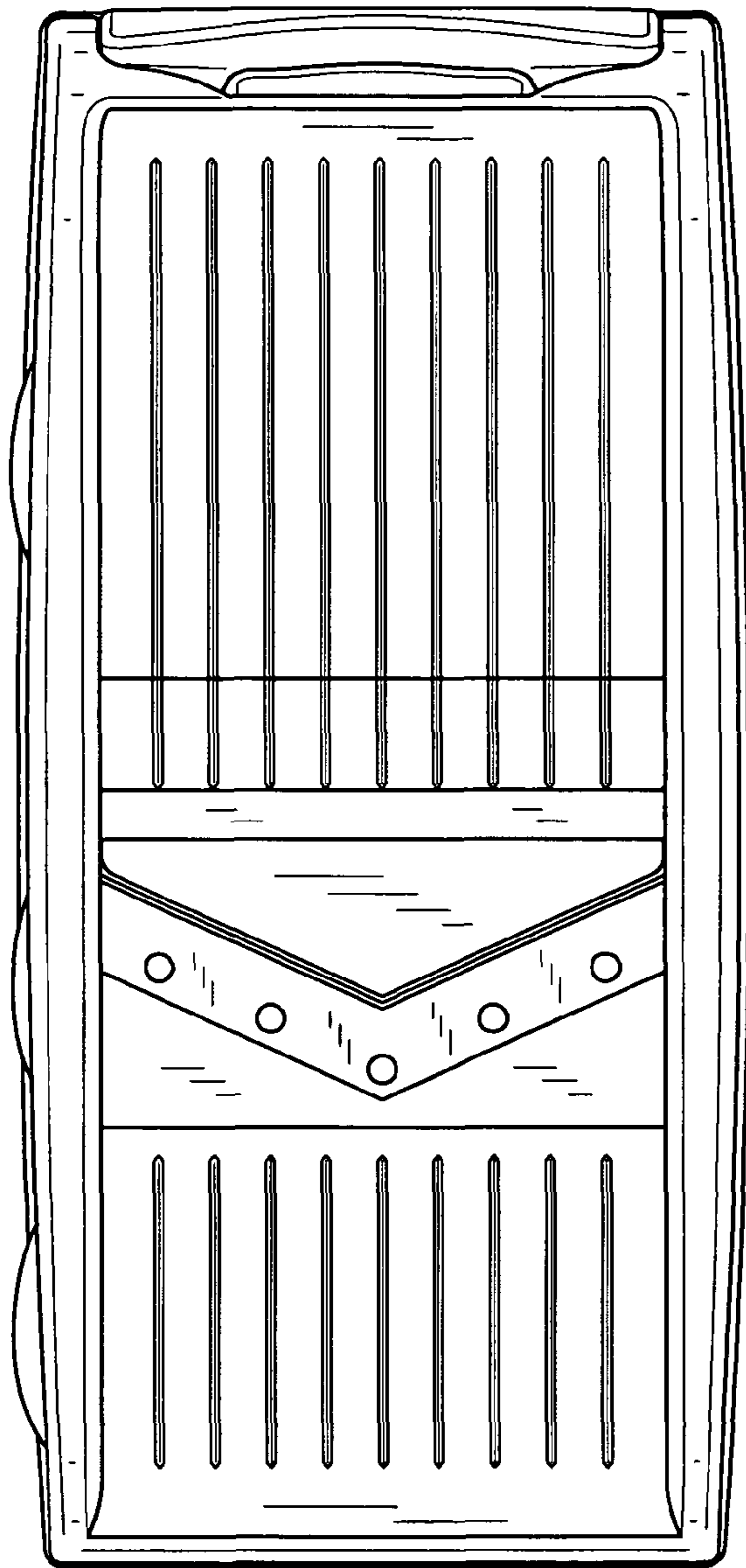


Fig. 1

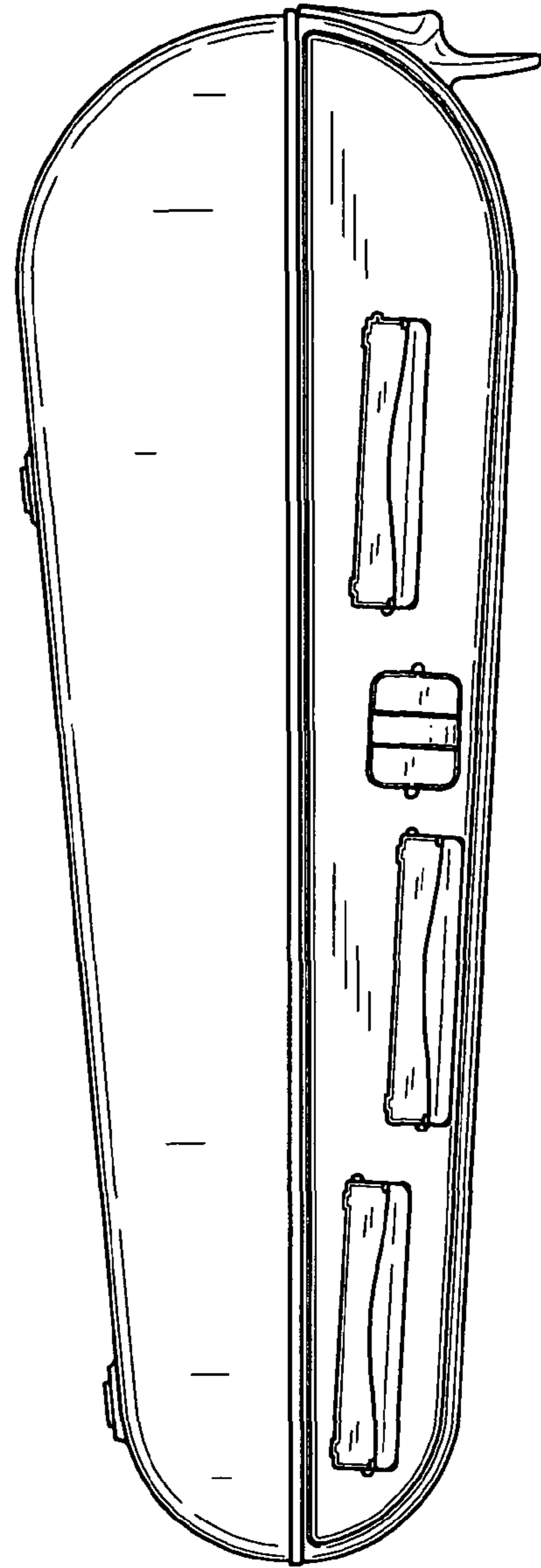


Fig. 2

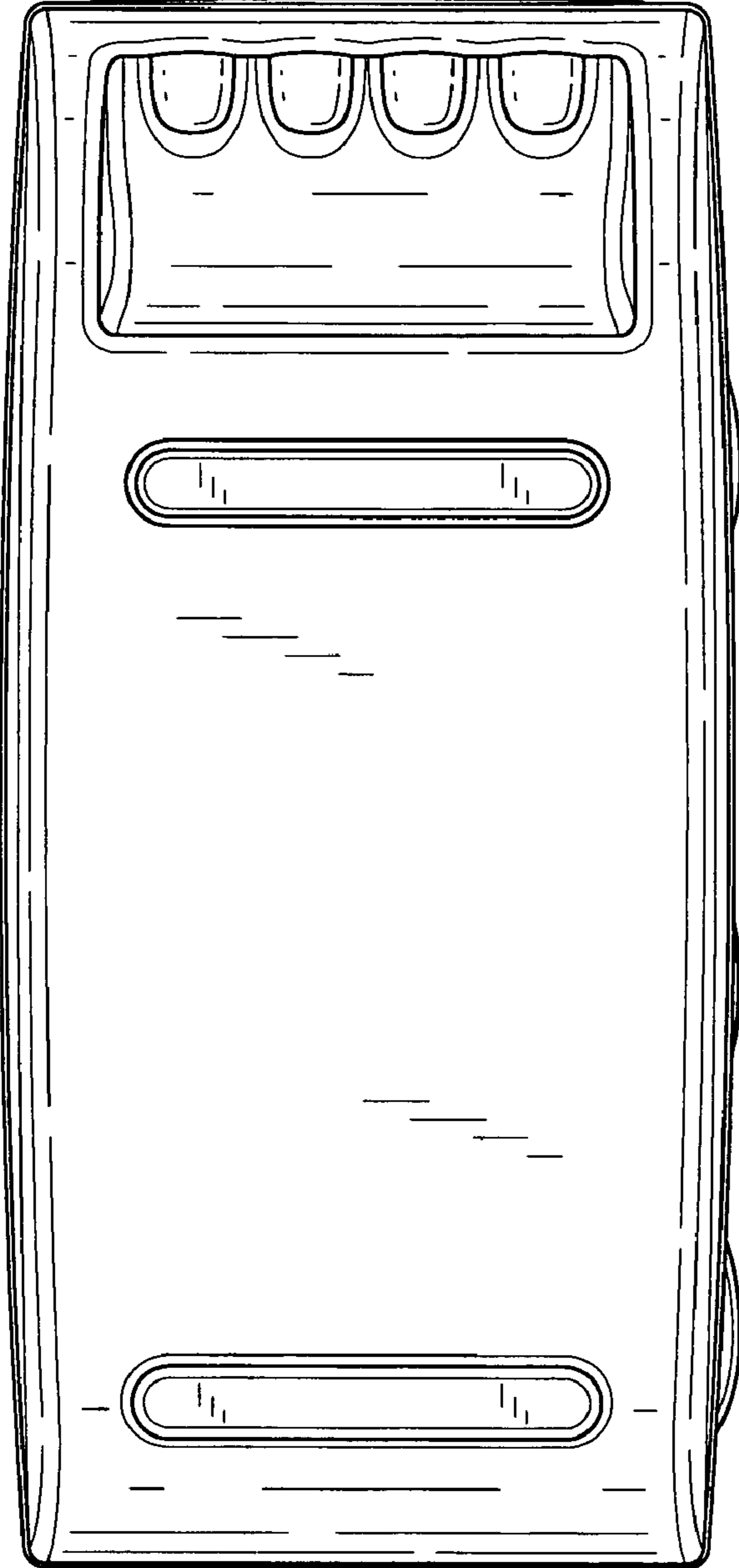


Fig.3

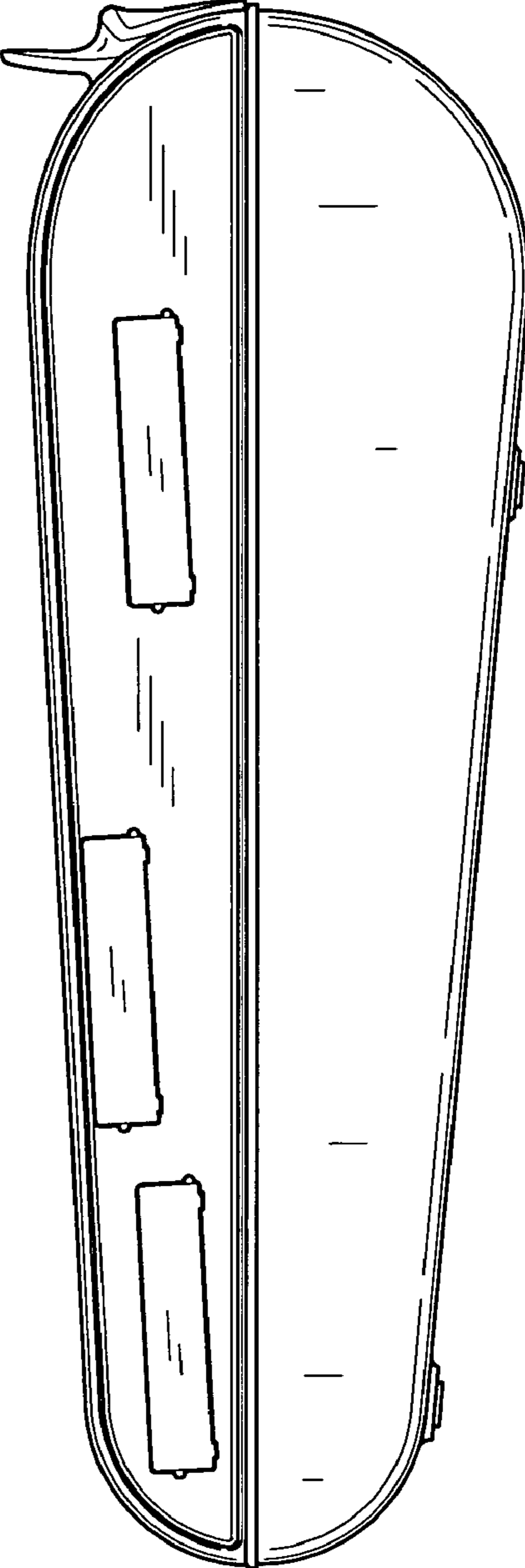


Fig.4

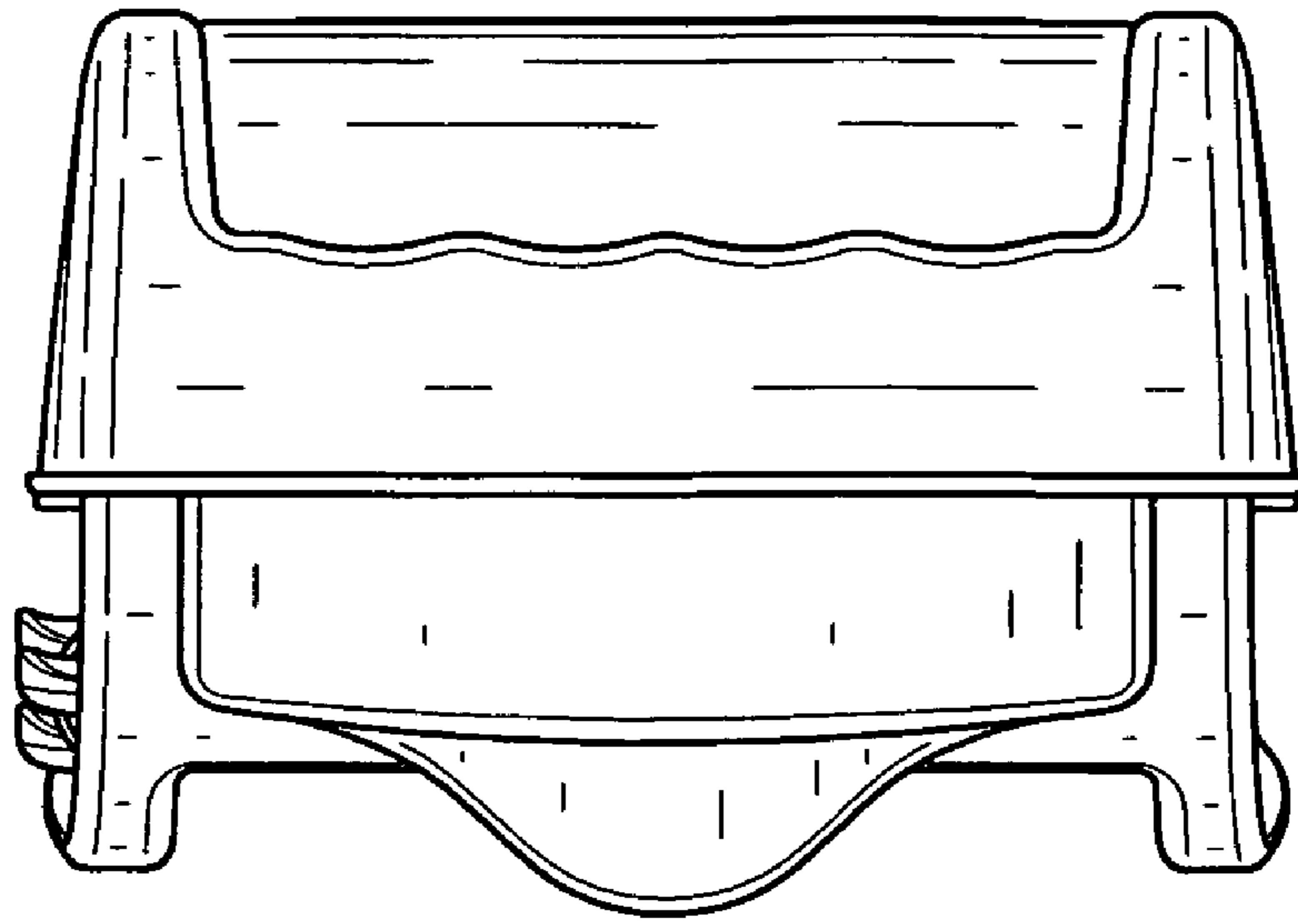


Fig.5

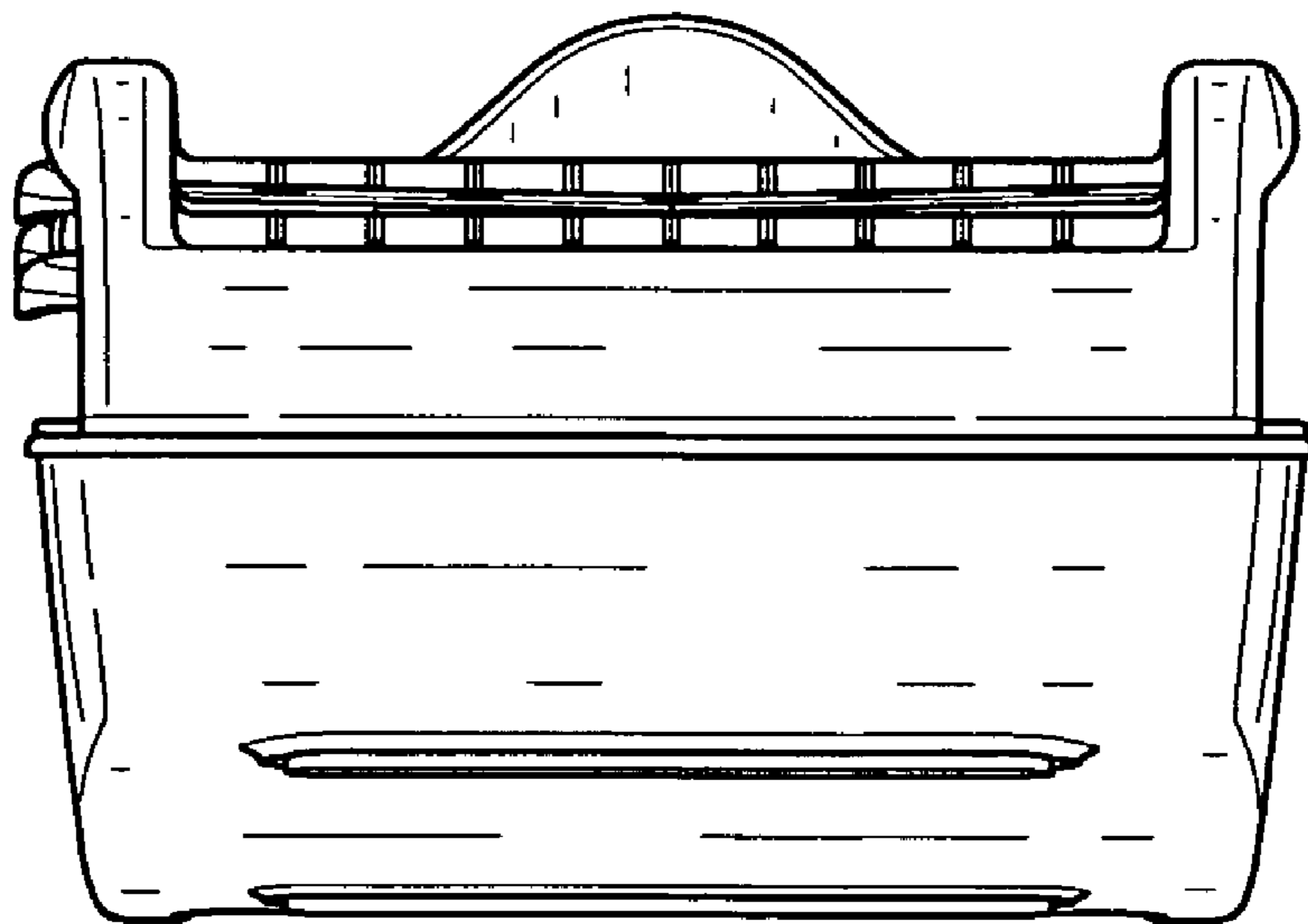


Fig.6

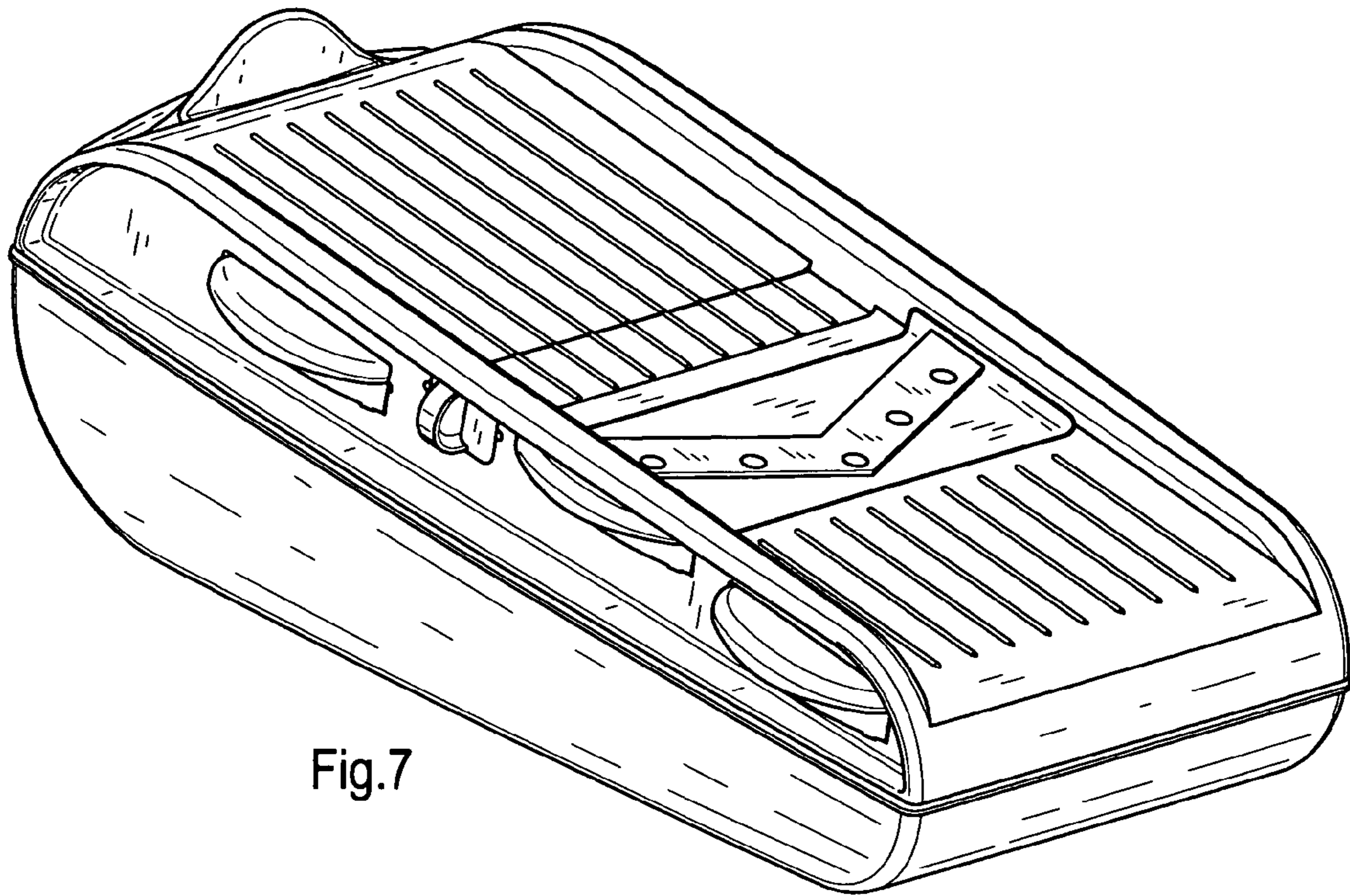


Fig.7

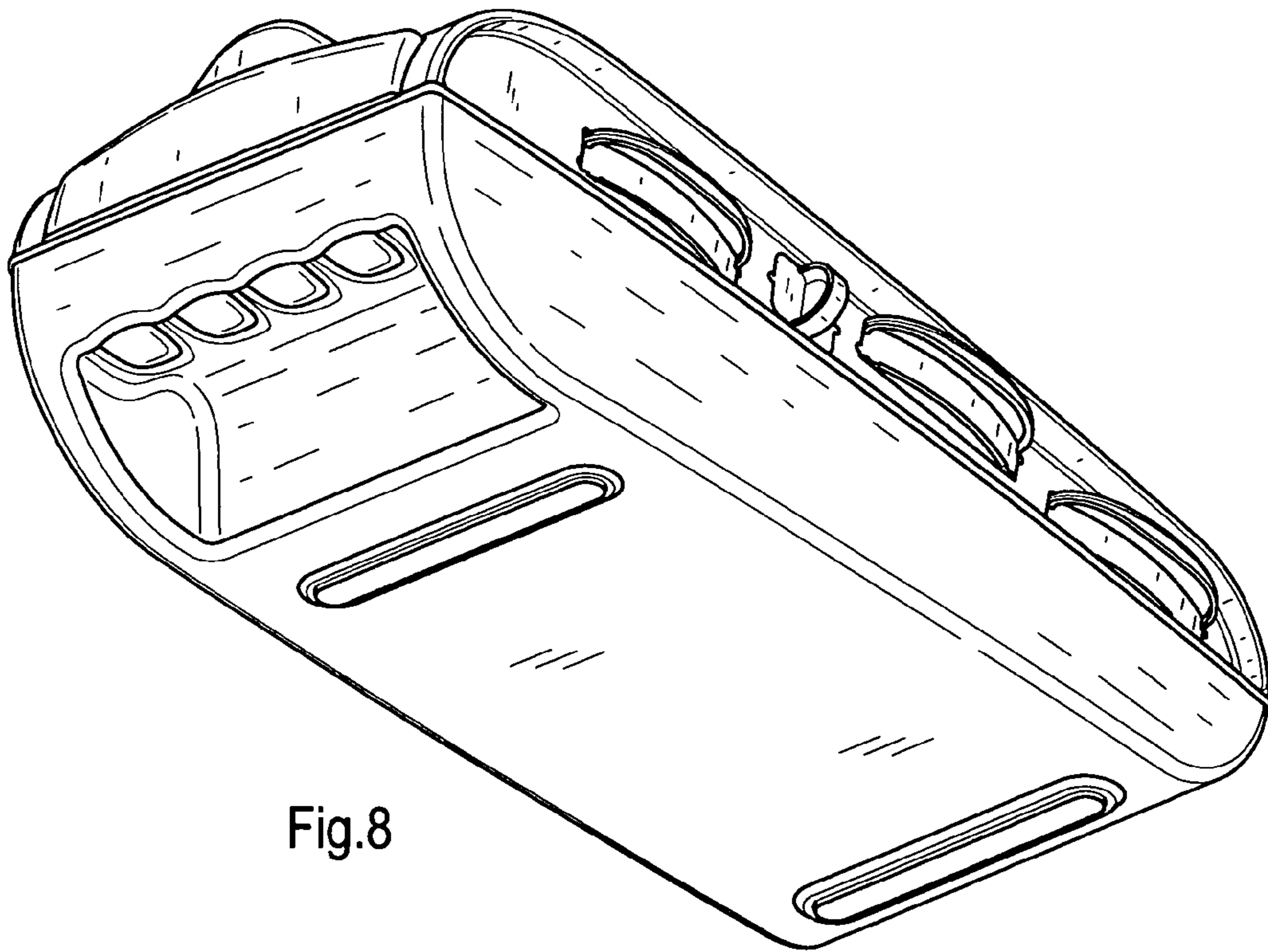


Fig.8

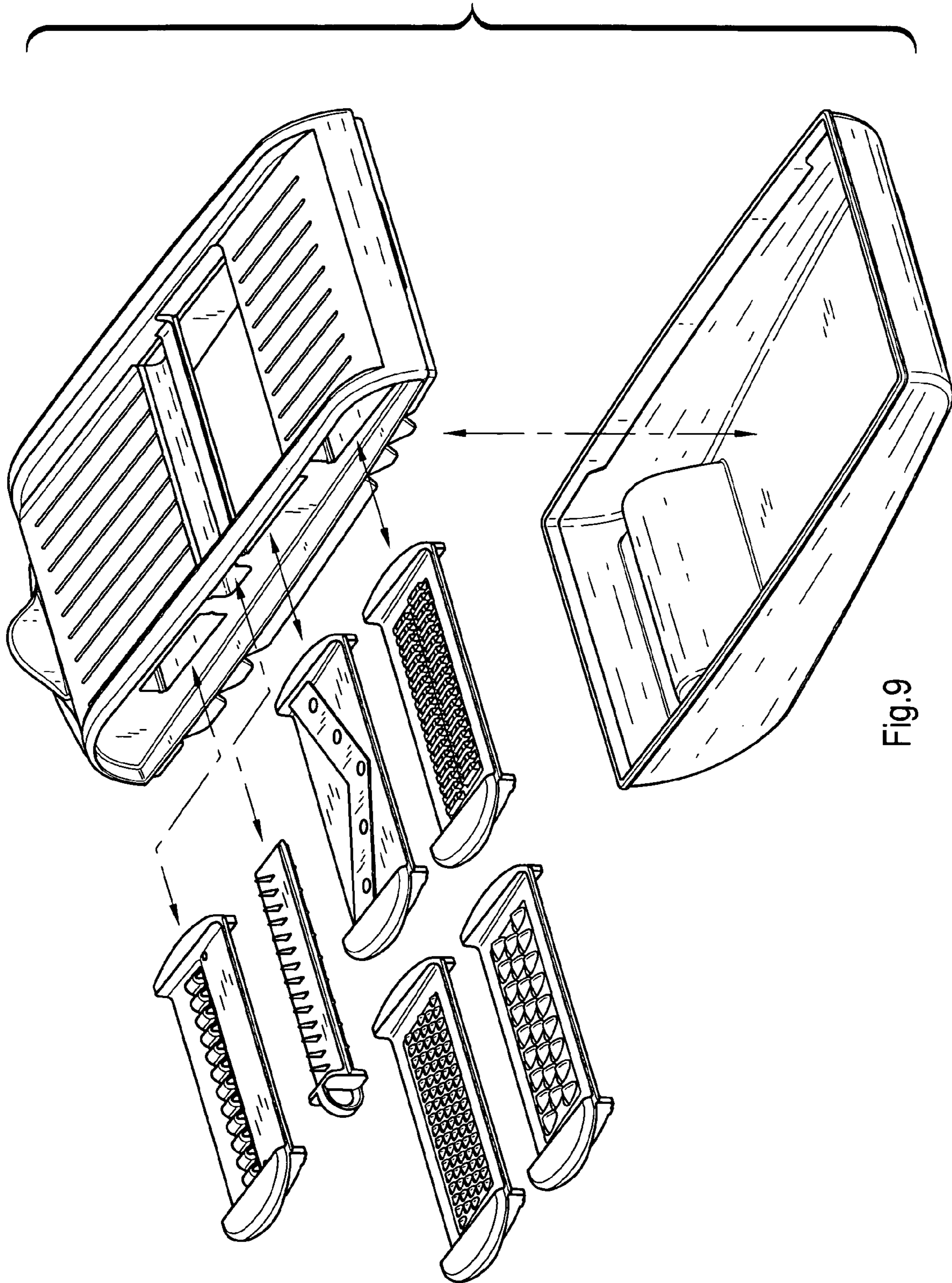


Fig.9