



US00D625567S

(12) **United States Design Patent**  
**Wong**

(10) **Patent No.:** **US D625,567 S**

(45) **Date of Patent:** **\*\* Oct. 19, 2010**

(54) **SLICER**

D559,635 S \* 1/2008 Wong ..... D7/673

(76) Inventor: **Yan Kwong Wong**, Unit 818-822, 8<sup>th</sup>  
Floor, Metro Centre II, 21 Lam Hing  
Street, Kowloon Bay, Kowloon (HK)

\* cited by examiner

*Primary Examiner*—Terry A Wallace  
(74) *Attorney, Agent, or Firm*—Law Office of Sergei Orel,  
LLC

(\*\*) Term: **14 Years**

(57) **CLAIM**

(21) Appl. No.: **29/316,959**

The ornamental design for a slicer, as shown and described.

(22) Filed: **Nov. 11, 2009**

**DESCRIPTION**

(51) **LOC (9) Cl.** ..... **07-04**

(52) **U.S. Cl.** ..... **D7/673**

(58) **Field of Classification Search** ..... D7/672–676,  
D7/693, 678, 381, 368, 669; 241/92–95,  
241/100, 168, 169, 169.1, 273.1–273.4; 30/114,  
30/278, 279.6, 280, 287, 283, 286, 389–391

FIG. 1 is a front view of the slicer showing my new design;  
FIG. 2 is a rear view thereof;  
FIG. 3 is a top view thereof;  
FIG. 4 is a bottom view thereof;  
FIG. 5 is a side view thereof;  
FIG. 6 is a side view thereof;  
FIG. 7 is a perspective view thereof;  
FIG. 8 is an alternative perspective view thereof;  
FIG. 9 is an alternative perspective view thereof;  
FIG. 10 is an alternative perspective view thereof; and,  
FIG. 11 is an alternative perspective view thereof.

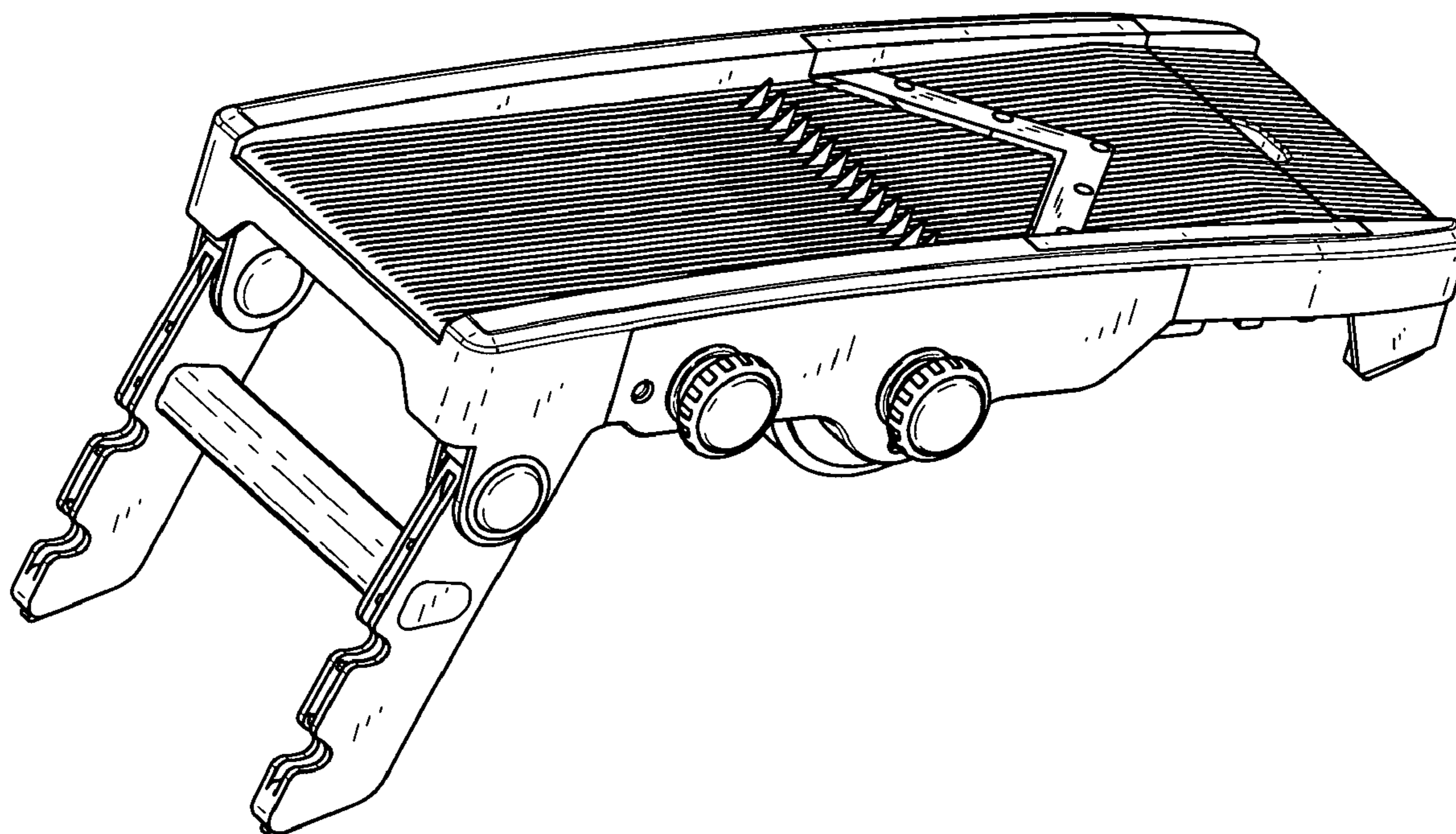
See application file for complete search history.

(56) **References Cited**

**U.S. PATENT DOCUMENTS**

D326,388 S \* 5/1992 Boerner ..... D7/673  
D406,018 S \* 2/1999 Zirbes ..... D7/673  
6,082,645 A \* 7/2000 Himmighofen et al. .... 241/168  
D505,301 S \* 5/2005 Wong ..... D7/673

**1 Claim, 6 Drawing Sheets**



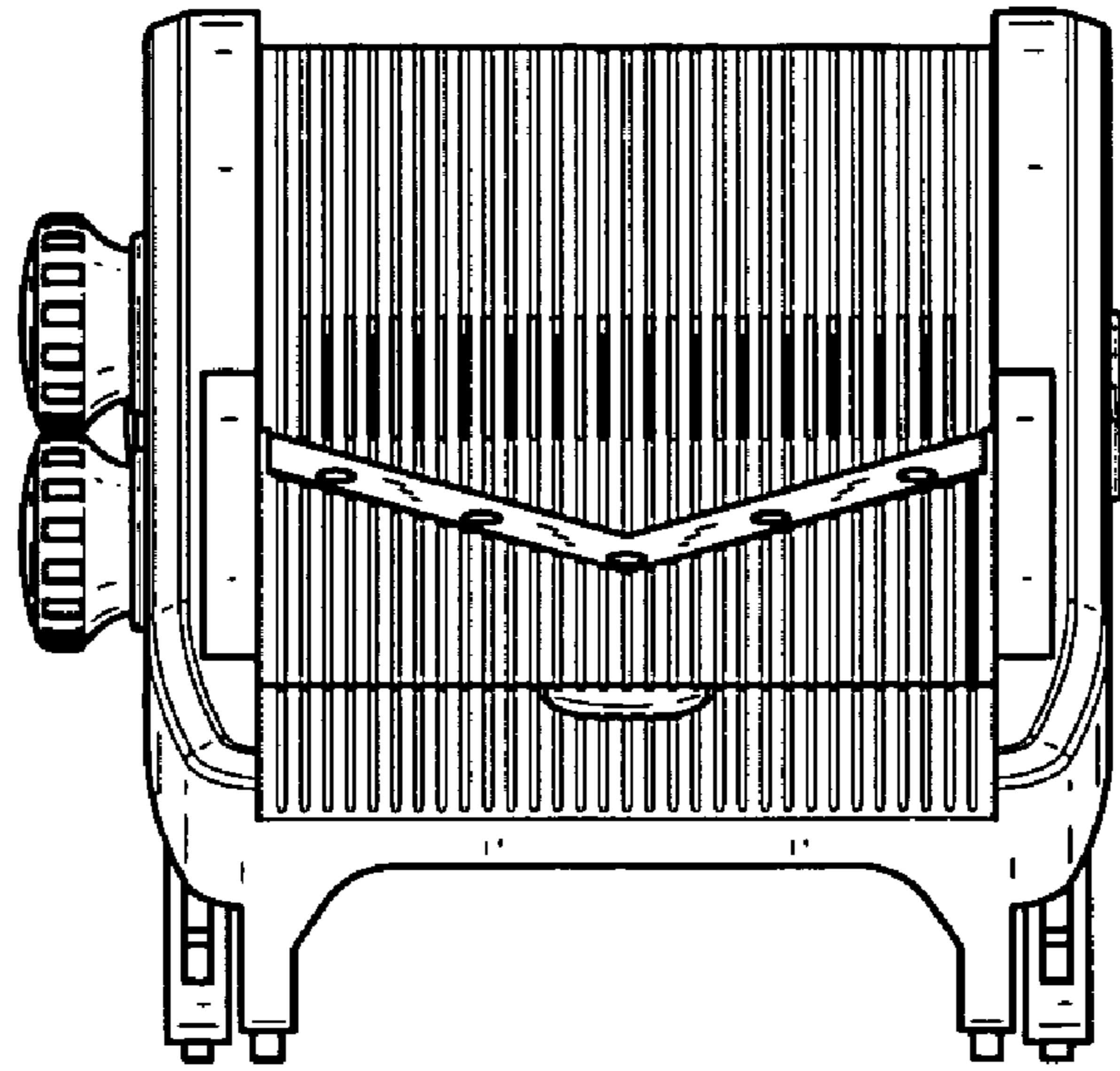


Fig.1

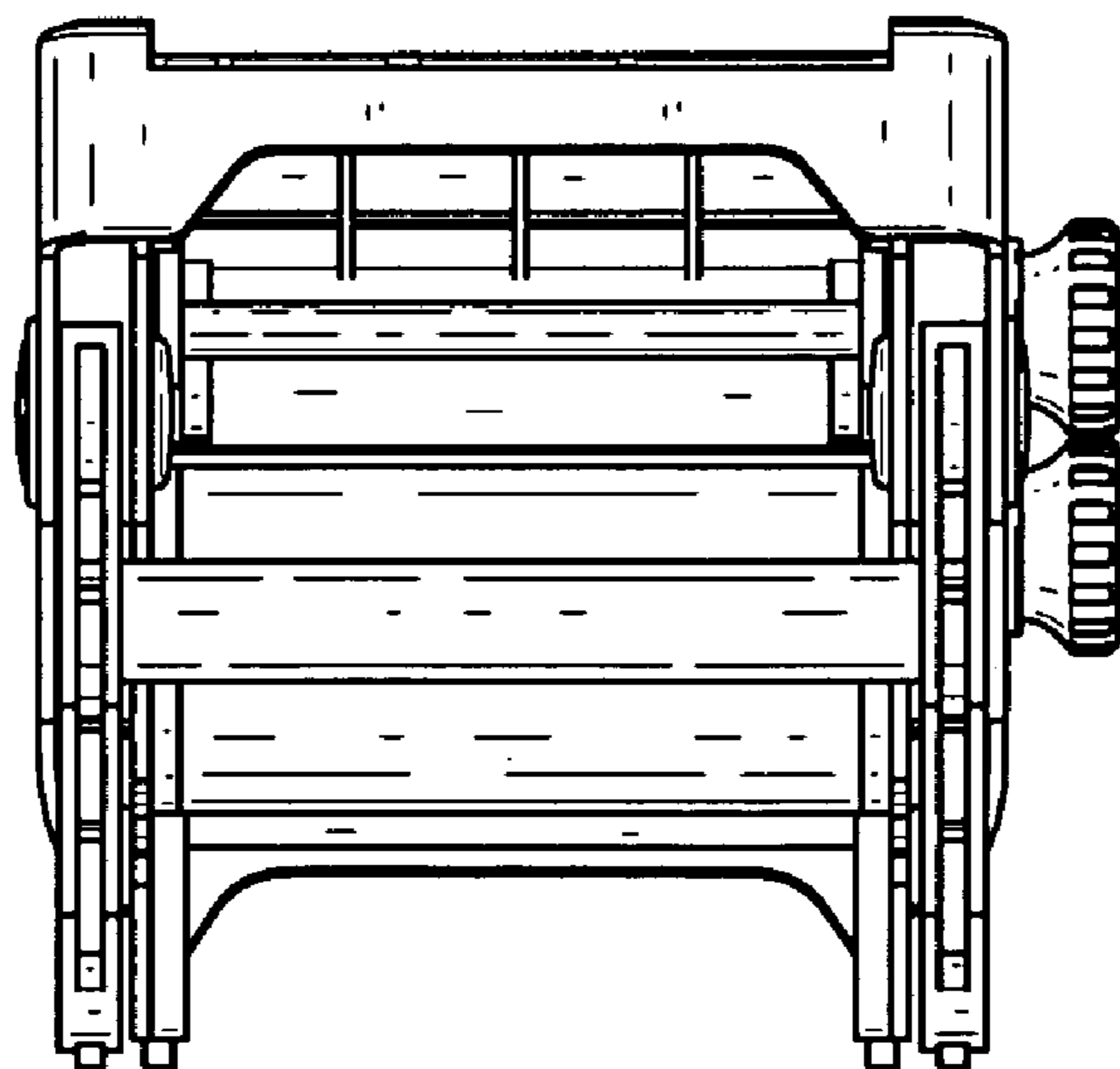


Fig.2

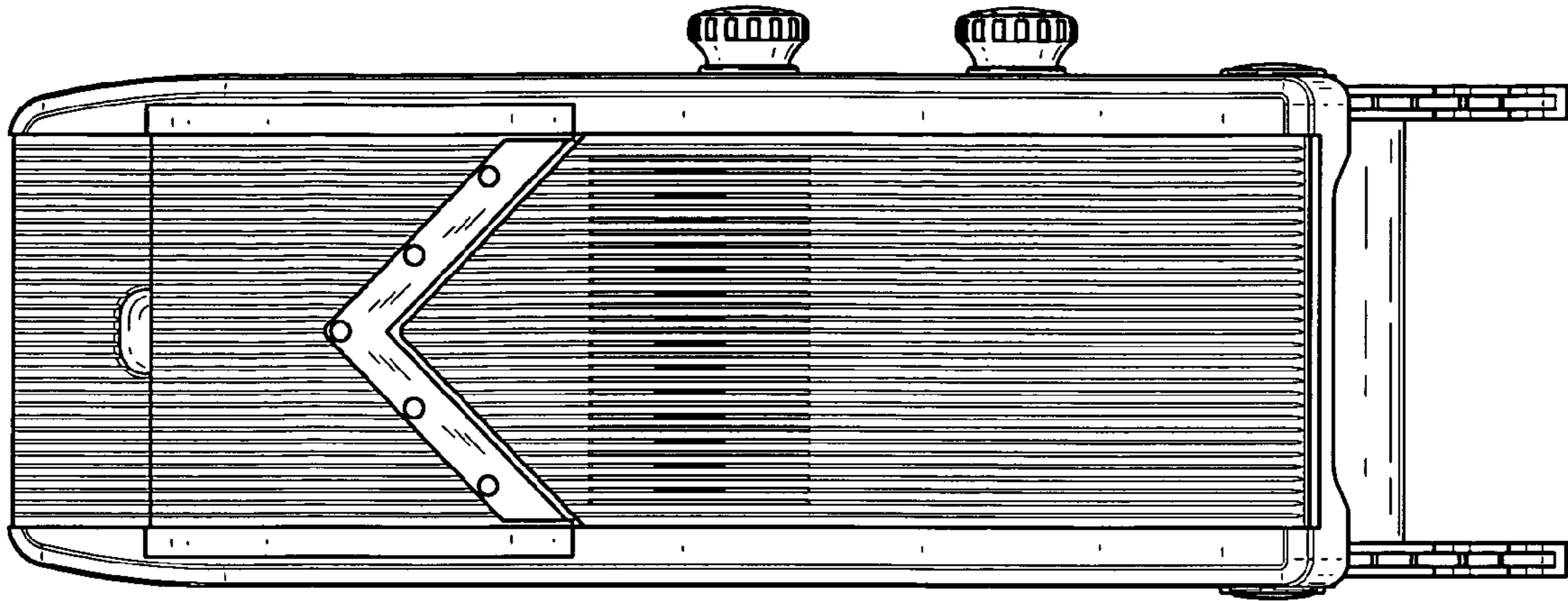


Fig.3

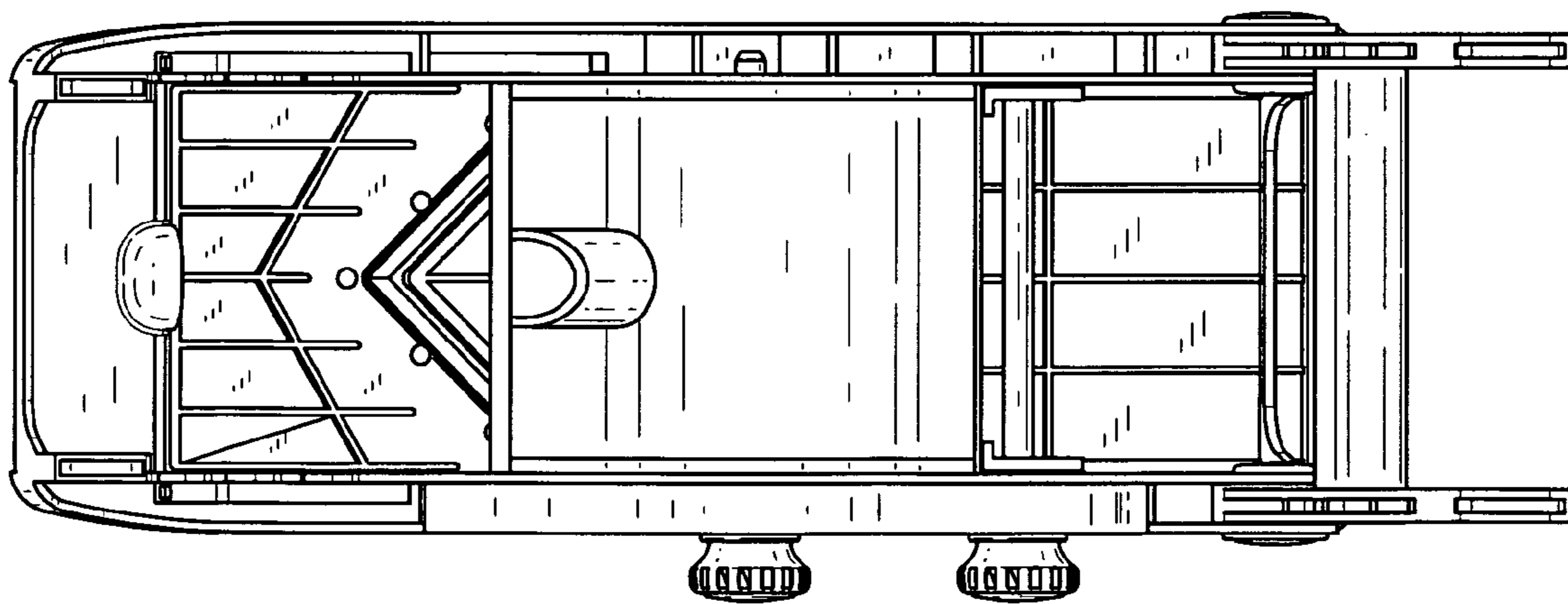


Fig.4

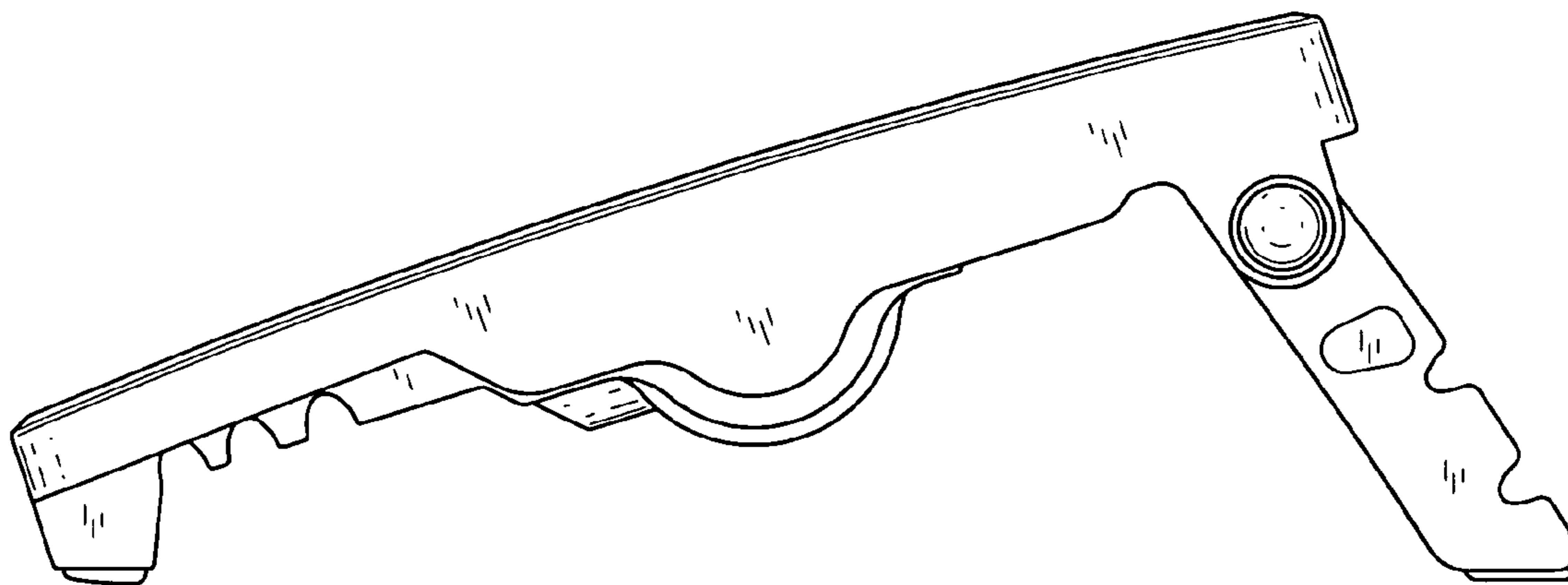


Fig.5

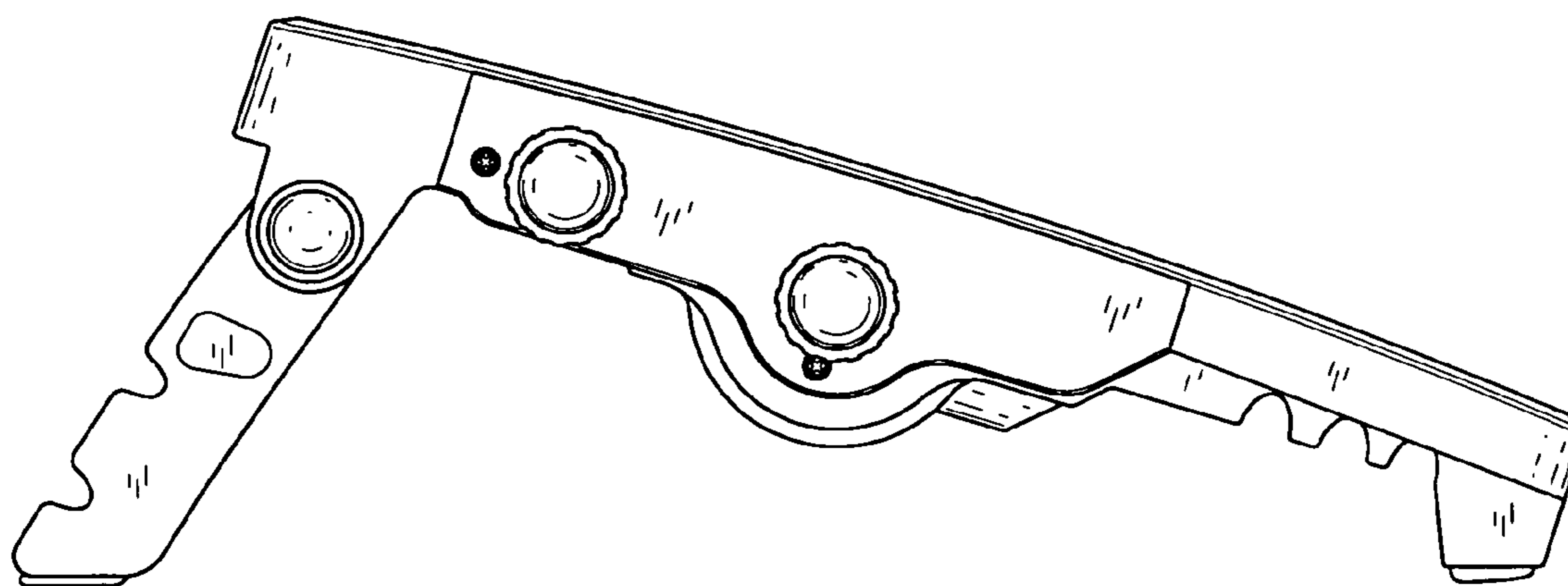


Fig.6

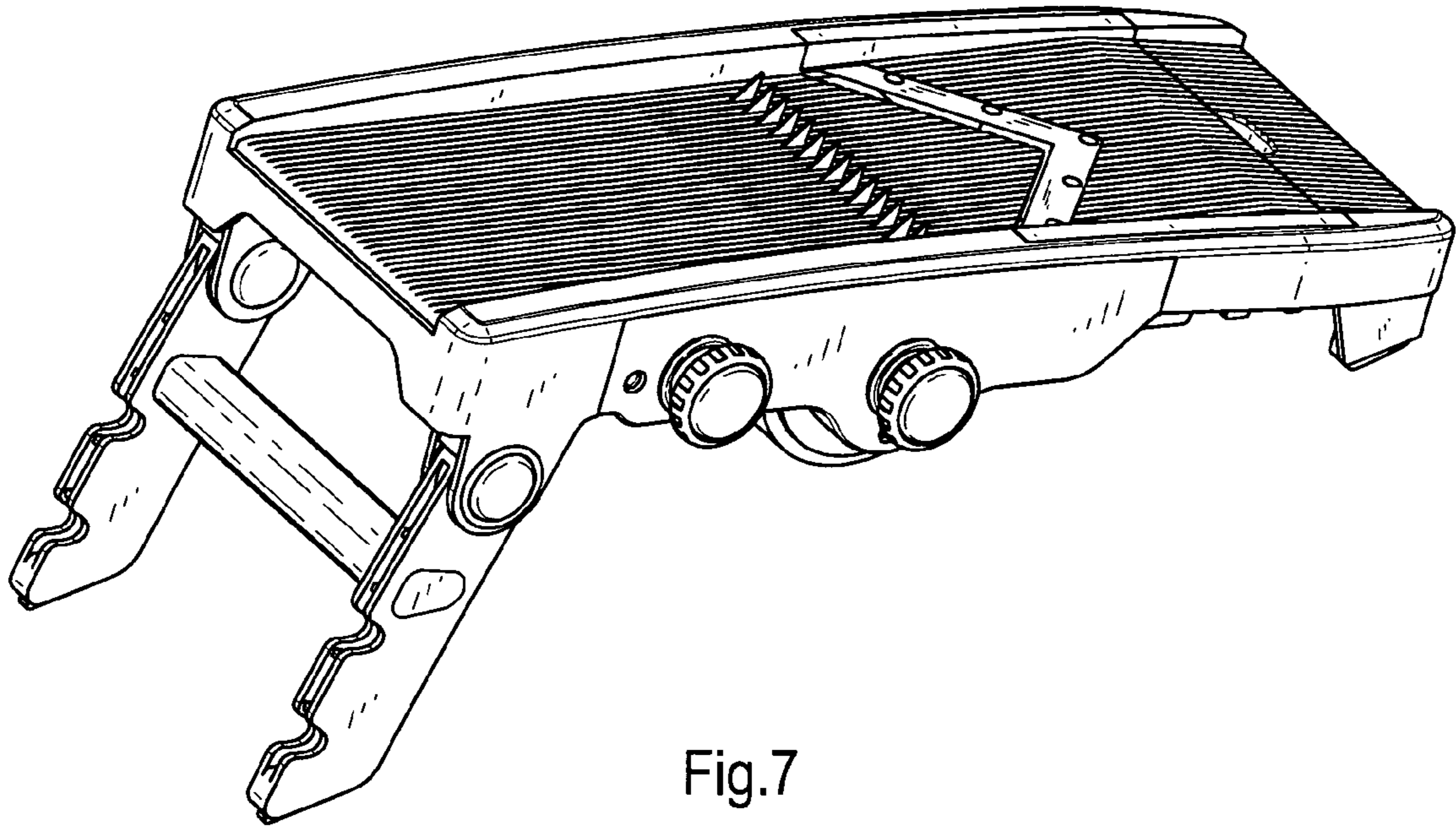


Fig.7

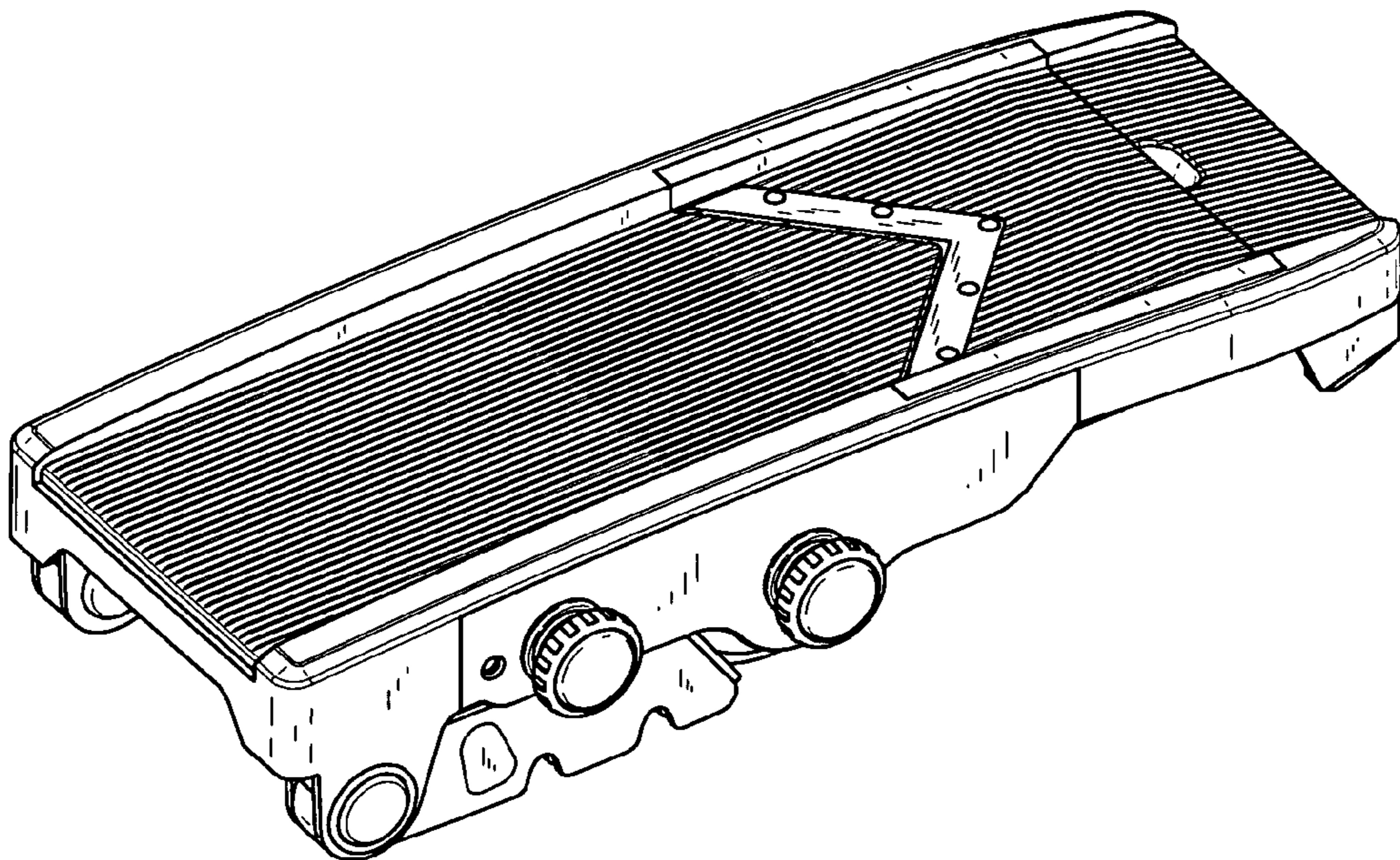


Fig.8

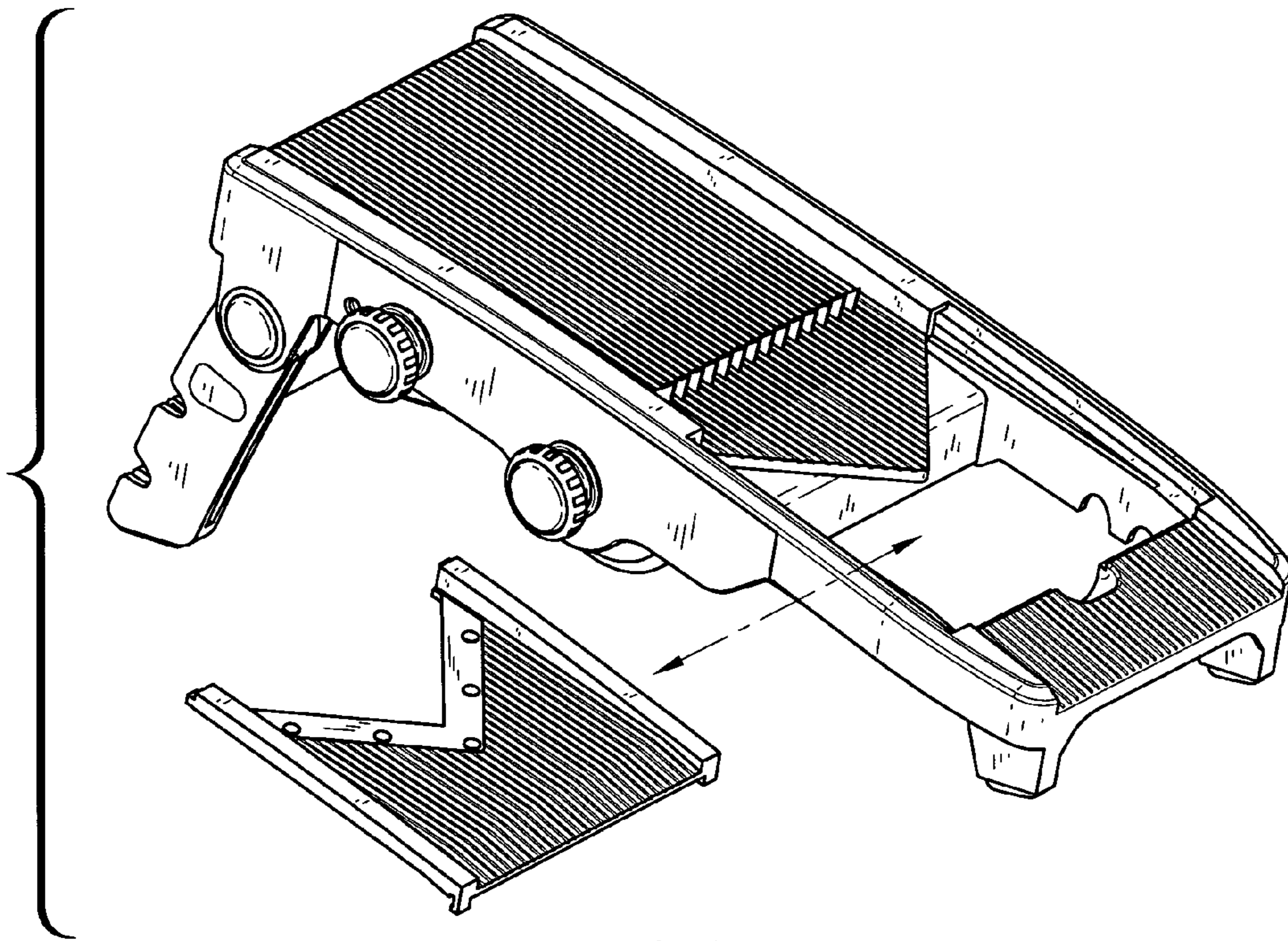


Fig.9

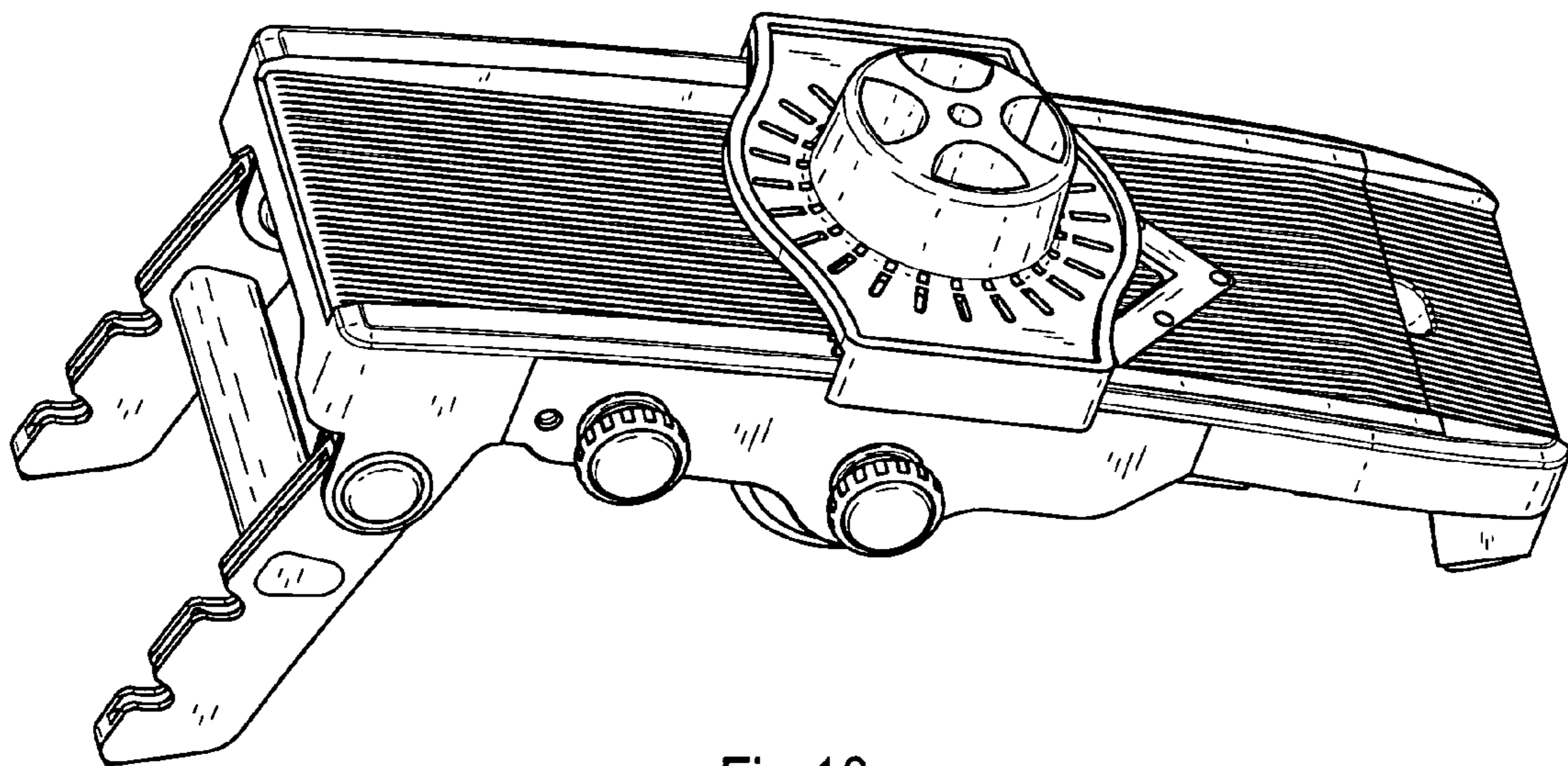


Fig.10

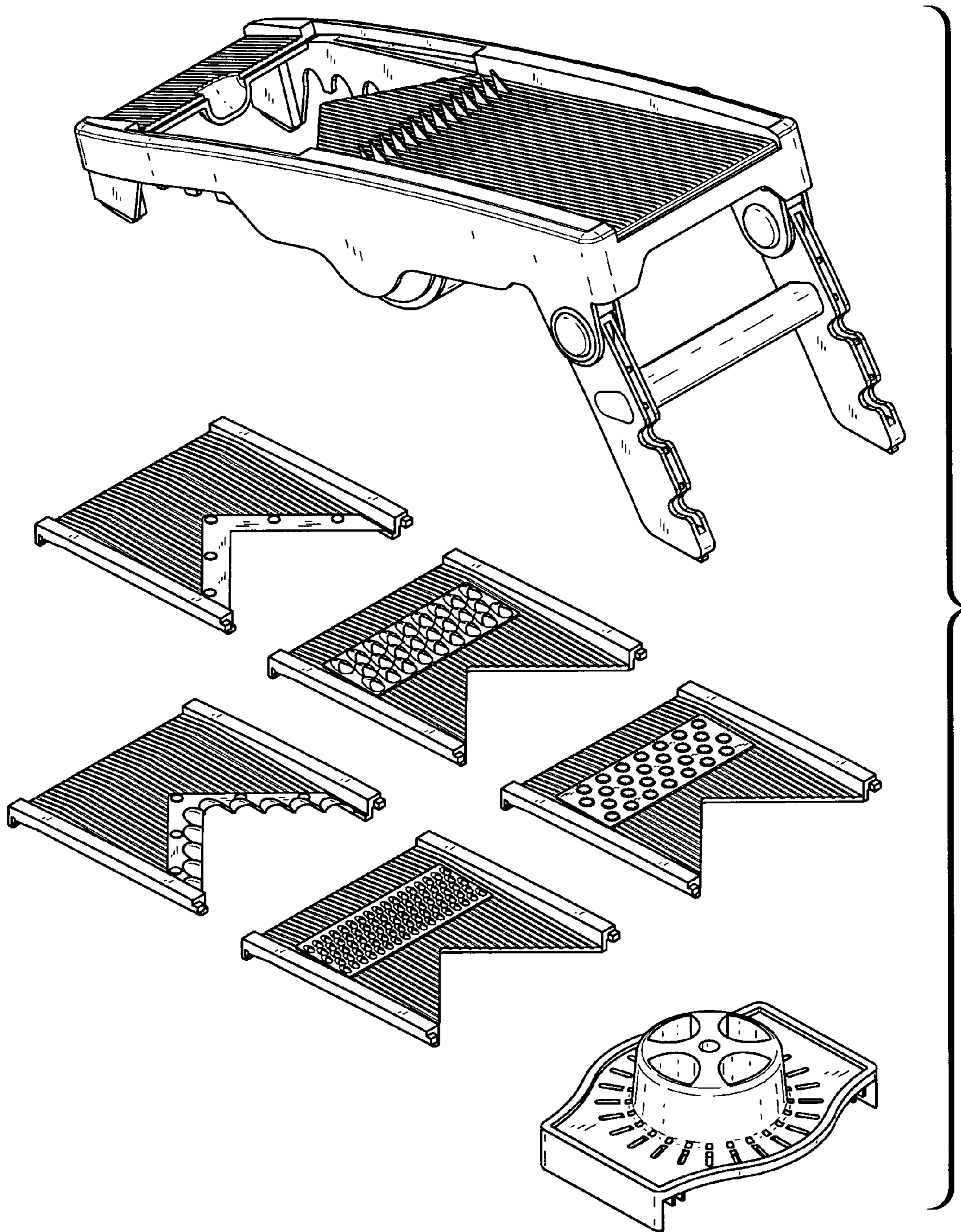


Fig.11