



US00D625566S

(12) **United States Design Patent**
Alford

(10) **Patent No.:** **US D625,566 S**
(45) **Date of Patent:** **** Oct. 19, 2010**

(54) **PROTECTIVE ENCLOSURE FOR AN ANNULAR SHAPED BIRTHDAY CAKE**

(76) Inventor: **Hebert Alford**, 5042 Buckingham Dr., Detroit, MI (US) 48224

(**) Term: **14 Years**

(21) Appl. No.: **29/353,750**

(22) Filed: **Jan. 13, 2010**

(51) **LOC (9) Cl.** **07-07**

(52) **U.S. Cl.** **D7/610; D26/10**

(58) **Field of Classification Search** D7/610,
D7/601; D26/9, 10, 12; 428/7; 312/280,
312/284; 431/291, 295, 297, 288, 293; 206/508,
206/519

See application file for complete search history.

(56) **References Cited**

U.S. PATENT DOCUMENTS

1,125,855	A *	1/1915	Mapes	312/284
2,758,458	A *	8/1956	Carlson	312/280
3,819,455	A *	6/1974	MacKendrick	428/7
D256,844	S *	9/1980	Conn	D26/10
D285,159	S *	8/1986	Wexler	D7/610
4,884,966	A *	12/1989	Wexler	431/295

D307,227	S *	4/1990	Sibilio et al.	D7/610
D333,410	S *	2/1993	Panzarello	D7/610
D337,026	S *	7/1993	Higgins	D7/610
D490,276	S *	5/2004	Pereira et al.	D7/610
D493,677	S *	8/2004	Meyer	D7/629
D496,832	S *	10/2004	Ekhtebar	D7/610

* cited by examiner

Primary Examiner—Terry A Wallace

(57) **CLAIM**

The ornamental design for a protective enclosure for an annular shaped birthday cake, as shown and described.

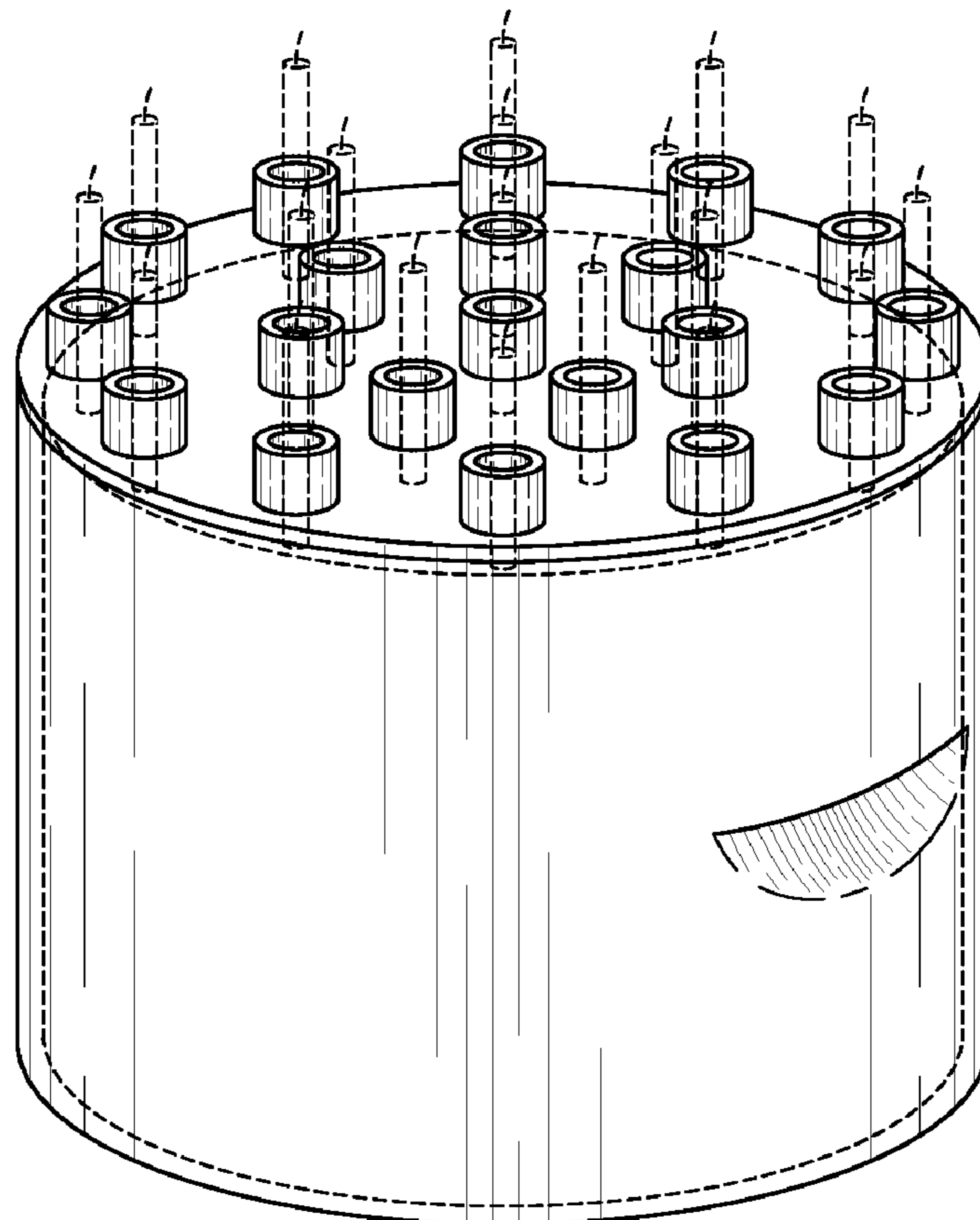
DESCRIPTION

FIG. 1 is a perspective view thereof, the broken line disclosure representing a plurality of candles and a cake being for illustrative purposes only forming no part of the claimed design;

FIG. 2 is a top view thereof, the broken line disclosure representing a plurality of candles and a cake being for illustrative purposes only forming no part of the claimed design; and,

FIG. 3 is a side view thereof, the broken line disclosure representing a plurality of candles and a cake being for illustrative purposes only forming no part of the claimed design.

1 Claim, 1 Drawing Sheet



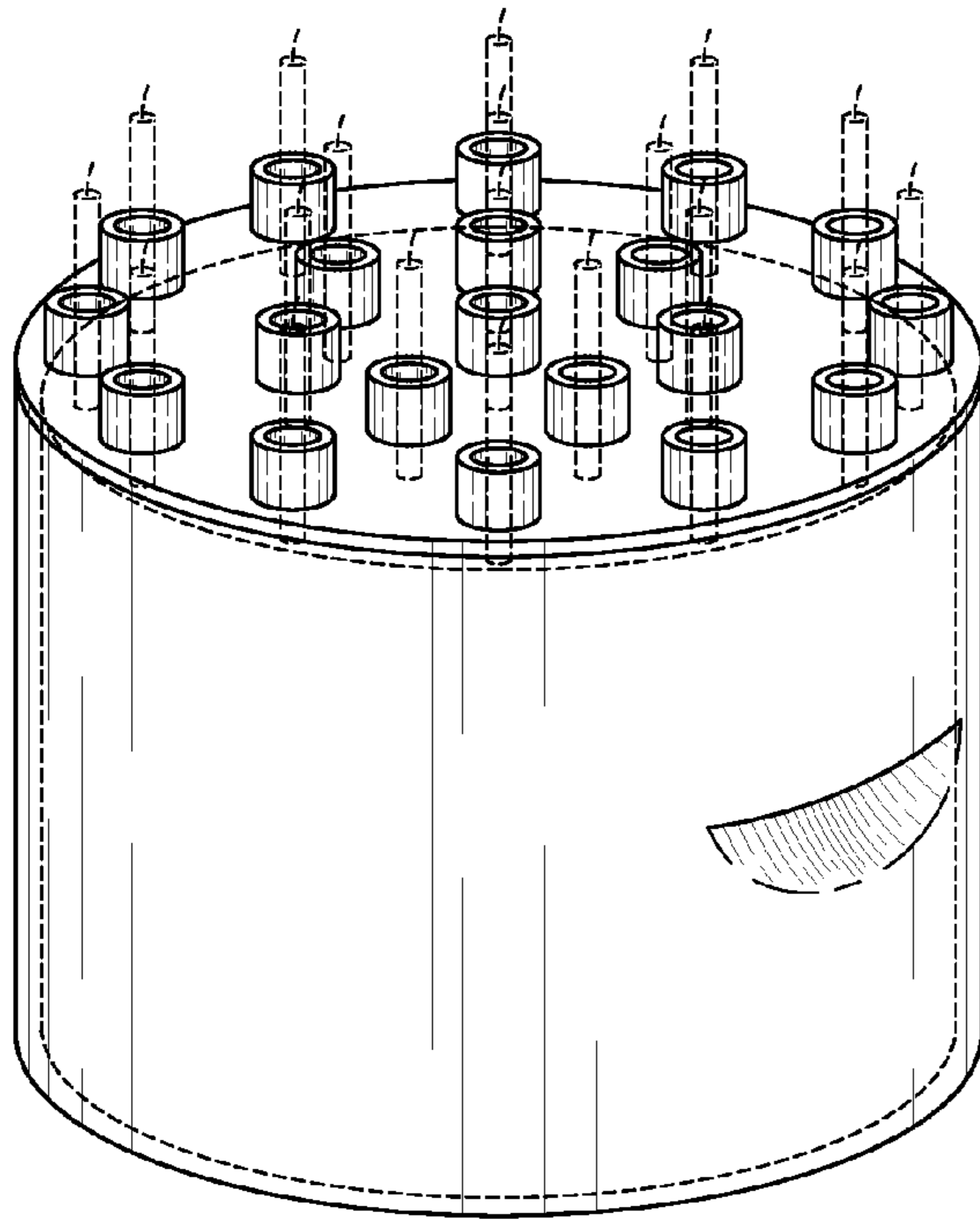


FIG. 1

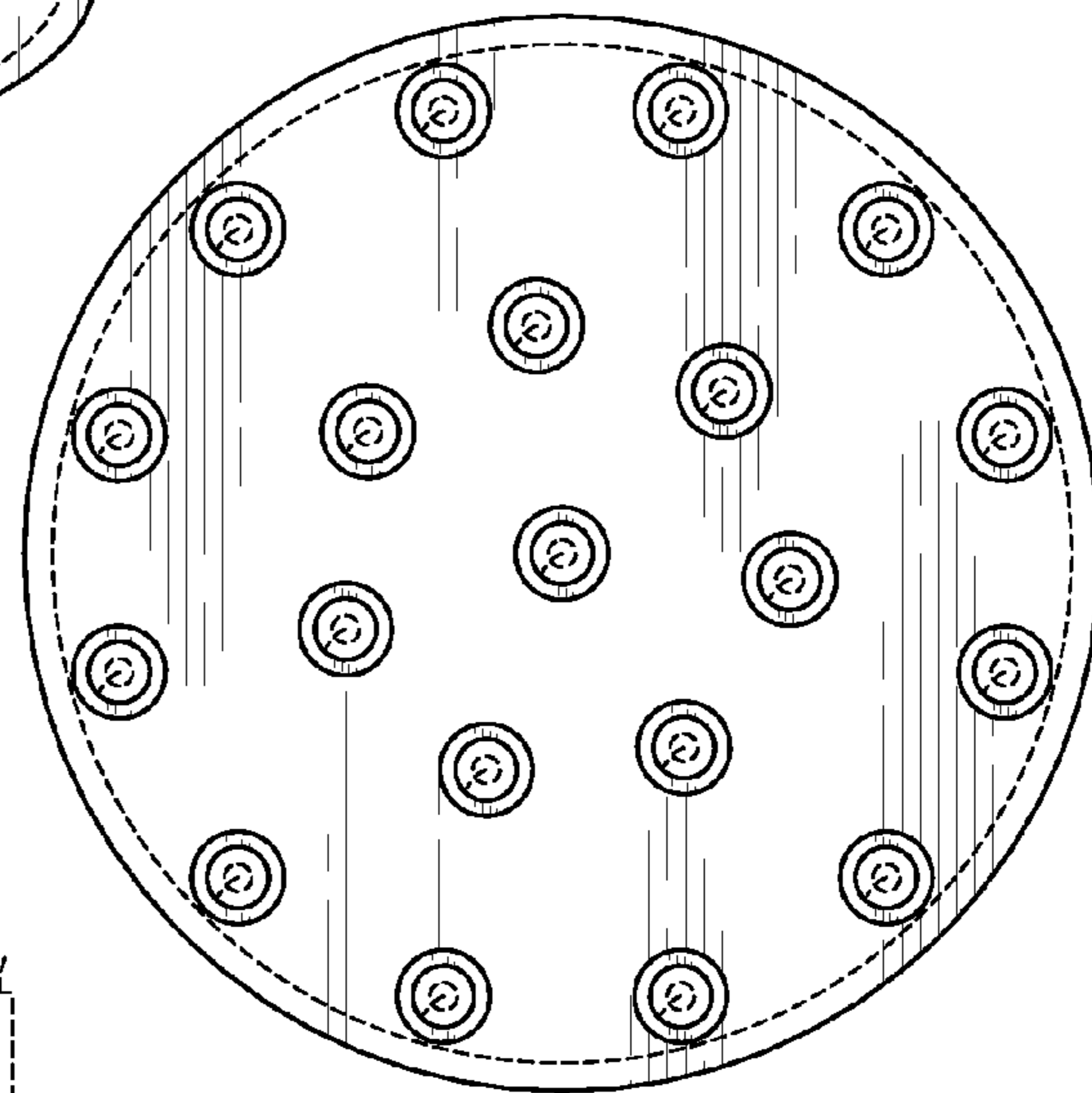


FIG. 2

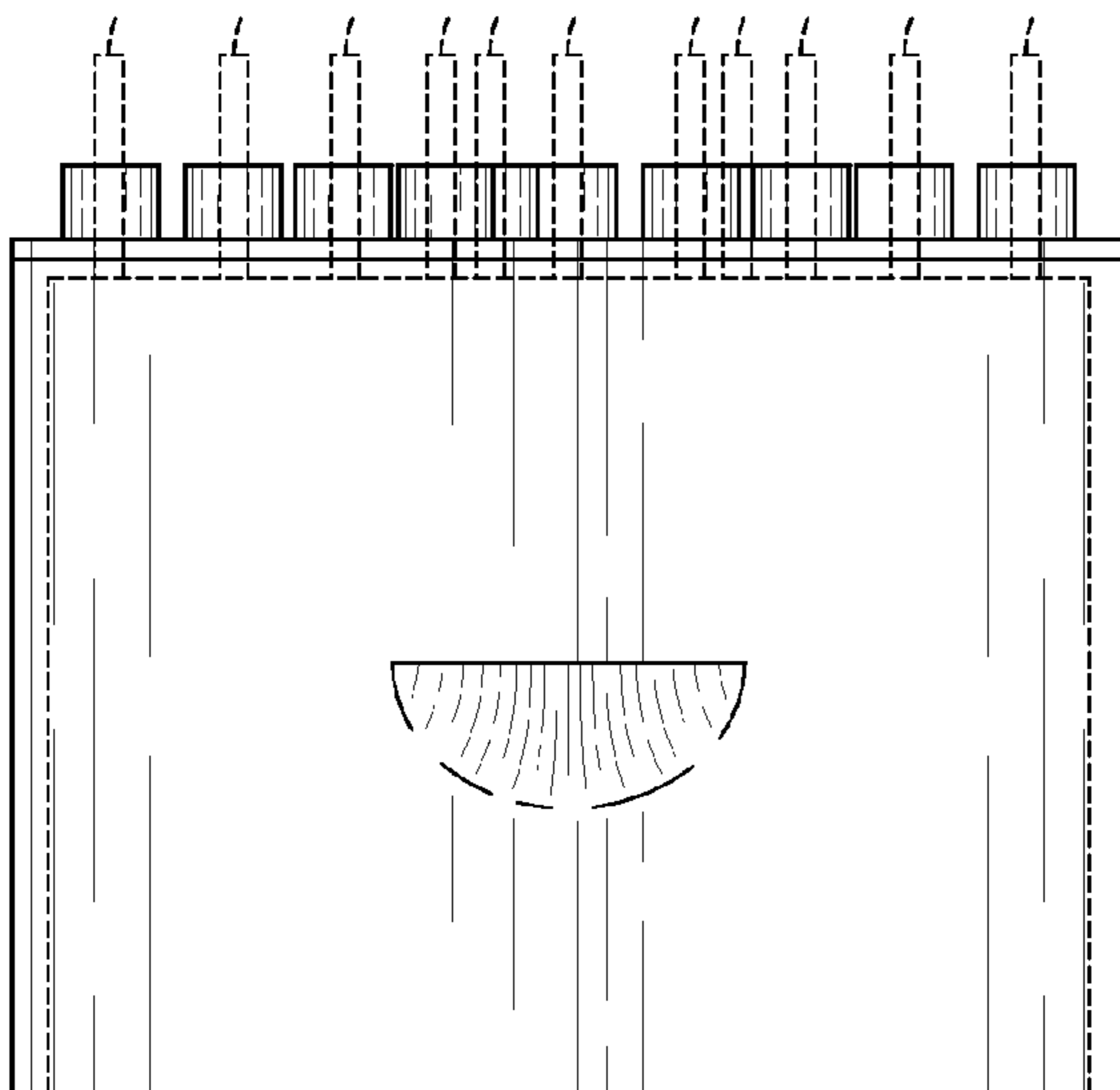


FIG. 3