



US00D625565S

(12) **United States Design Patent**  
**Alford**

(10) **Patent No.:** **US D625,565 S**

(45) **Date of Patent:** **\*\* Oct. 19, 2010**

(54) **BIRTHDAY CAKE PROTECTIVE ENCLOSURE**

(76) Inventor: **Hebert Alford**, 5042 Buckingham Dr., Detroit, MI (US) 48224

(\*\*) Term: **14 Years**

(21) Appl. No.: **29/353,747**

(22) Filed: **Jan. 13, 2010**

(51) **LOC (9) Cl.** ..... **07-07**

(52) **U.S. Cl.** ..... **D7/610; D26/10**

(58) **Field of Classification Search** ..... D7/610,  
D7/601; D26/9, 10, 12; 428/7; 312/280,  
312/284; 431/291, 295, 297, 288, 293; 206/508,  
206/519

See application file for complete search history.

(56) **References Cited**

**U.S. PATENT DOCUMENTS**

1,125,855	A *	1/1915	Mapes	.....	312/284
2,758,458	A *	8/1956	Carlson	.....	312/280
3,819,455	A *	6/1974	MacKendrick	.....	428/7
D256,844	S *	9/1980	Conn	.....	D26/10
4,884,966	A *	12/1989	Wexler	.....	431/295
4,938,688	A *	7/1990	Wexler	.....	431/295

D333,410	S *	2/1993	Panzarello	.....	D7/610
D403,441	S *	12/1998	Lane	.....	D26/10
D446,083	S *	8/2001	Marsh et al.	.....	D7/610
D493,677	S *	8/2004	Meyer	.....	D7/629
D523,704	S *	6/2006	DiBiasi	.....	D7/610

\* cited by examiner

*Primary Examiner*—Terry A Wallace

(57) **CLAIM**

The ornamental design for a birthday cake protective enclosure, as shown and described.

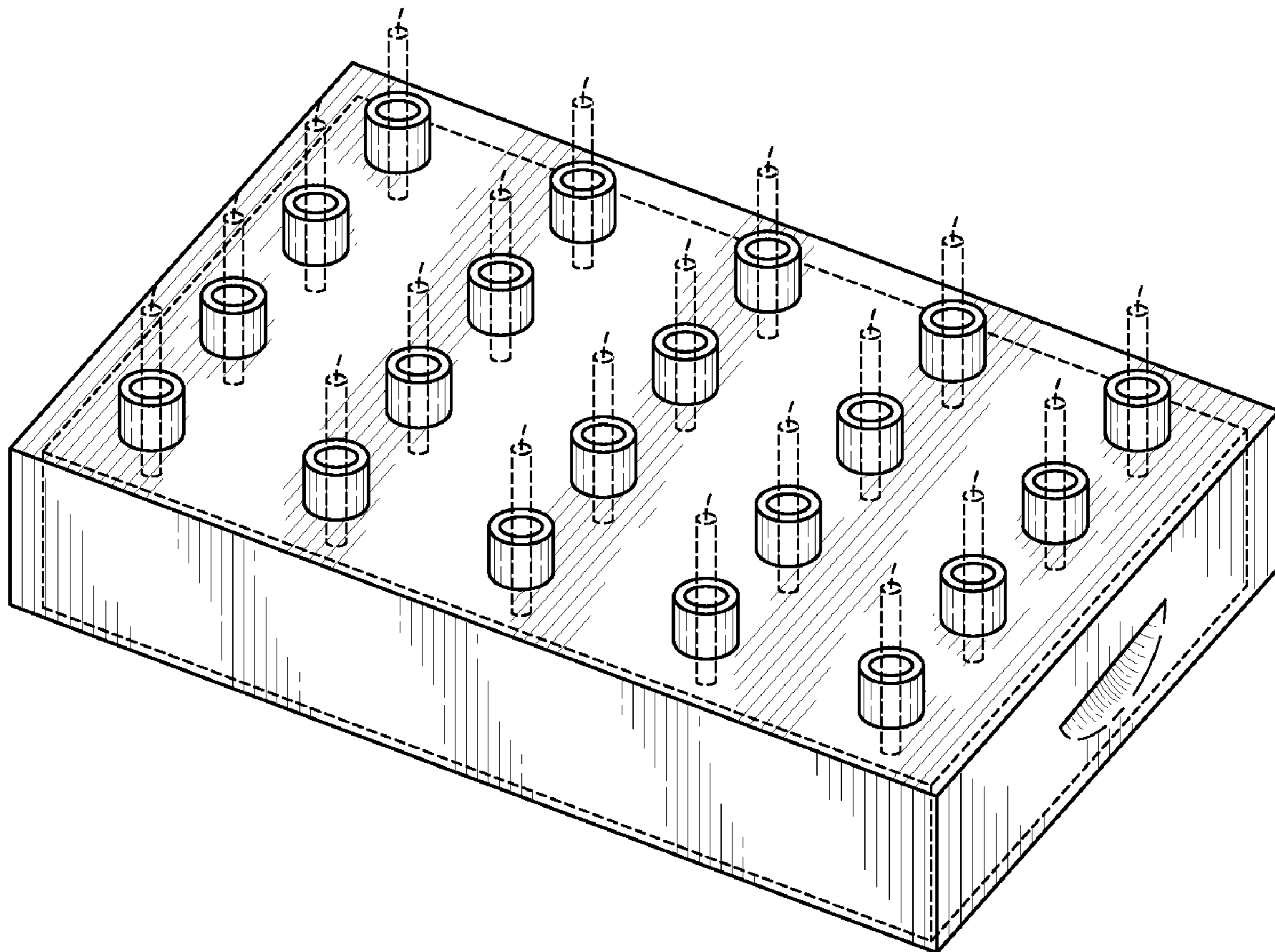
**DESCRIPTION**

FIG. 1 is a perspective view thereof, the broken line disclosure representing a plurality of candles and a cake being for illustrative purposes only forming no part of the claimed design;

FIG. 2 is a top view thereof, the broken line disclosure representing a plurality of candles and a cake being for illustrative purposes only forming no part of the claimed design; and,

FIG. 3 is a side view thereof, the broken line disclosure representing a plurality of candles and a cake being for illustrative purposes only forming no part of the claimed design.

**1 Claim, 1 Drawing Sheet**



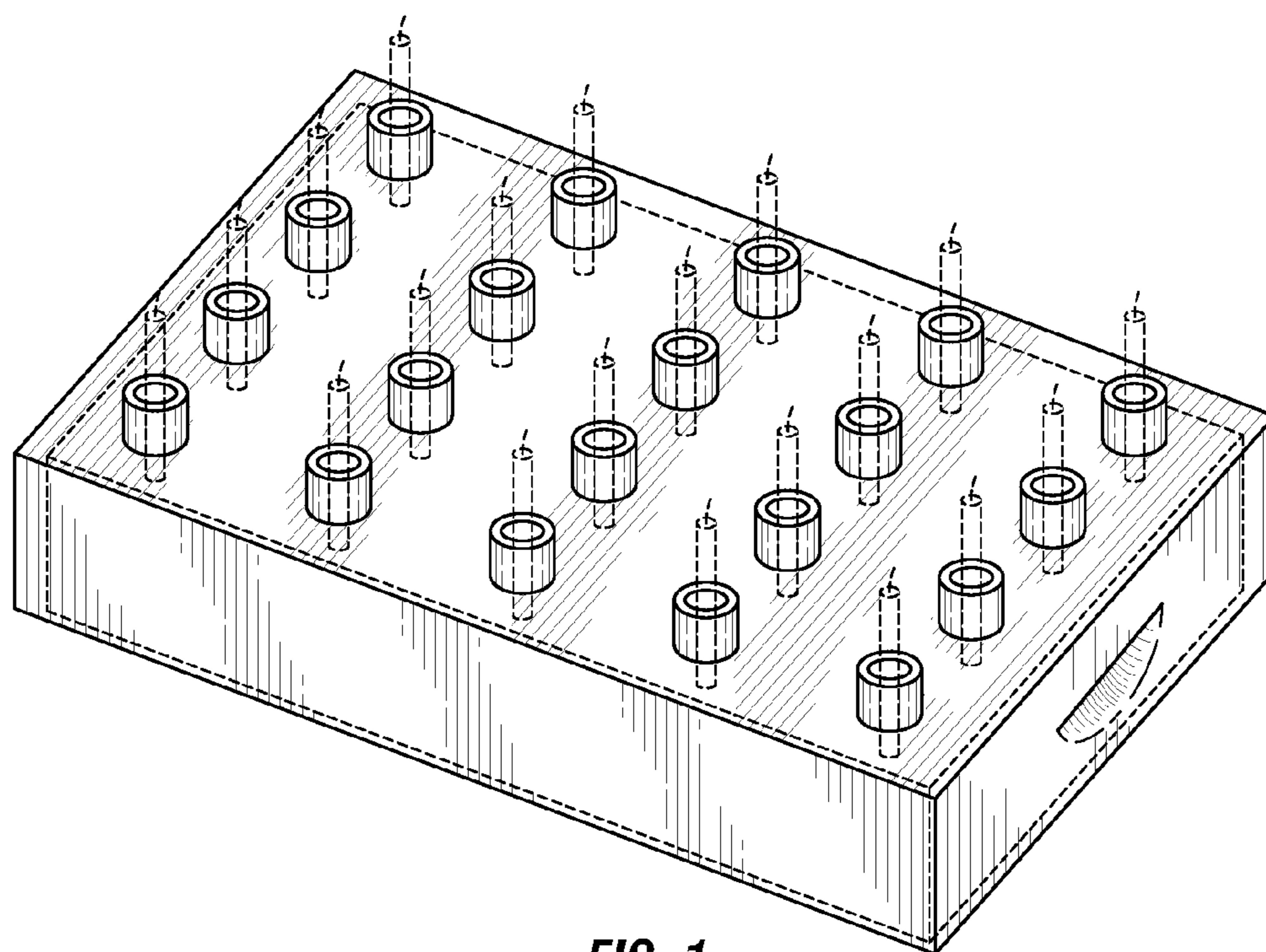


FIG. 1

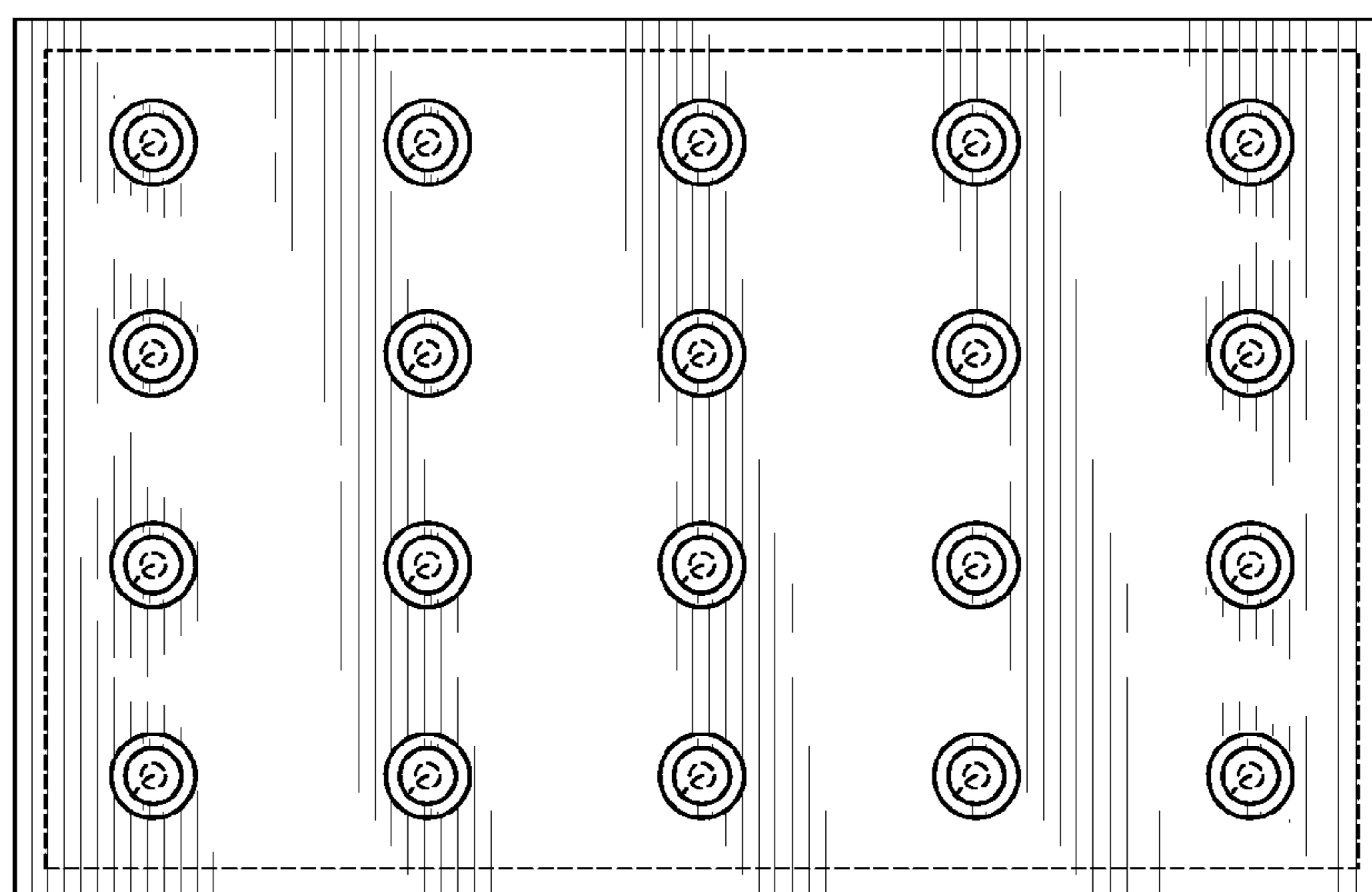


FIG. 2

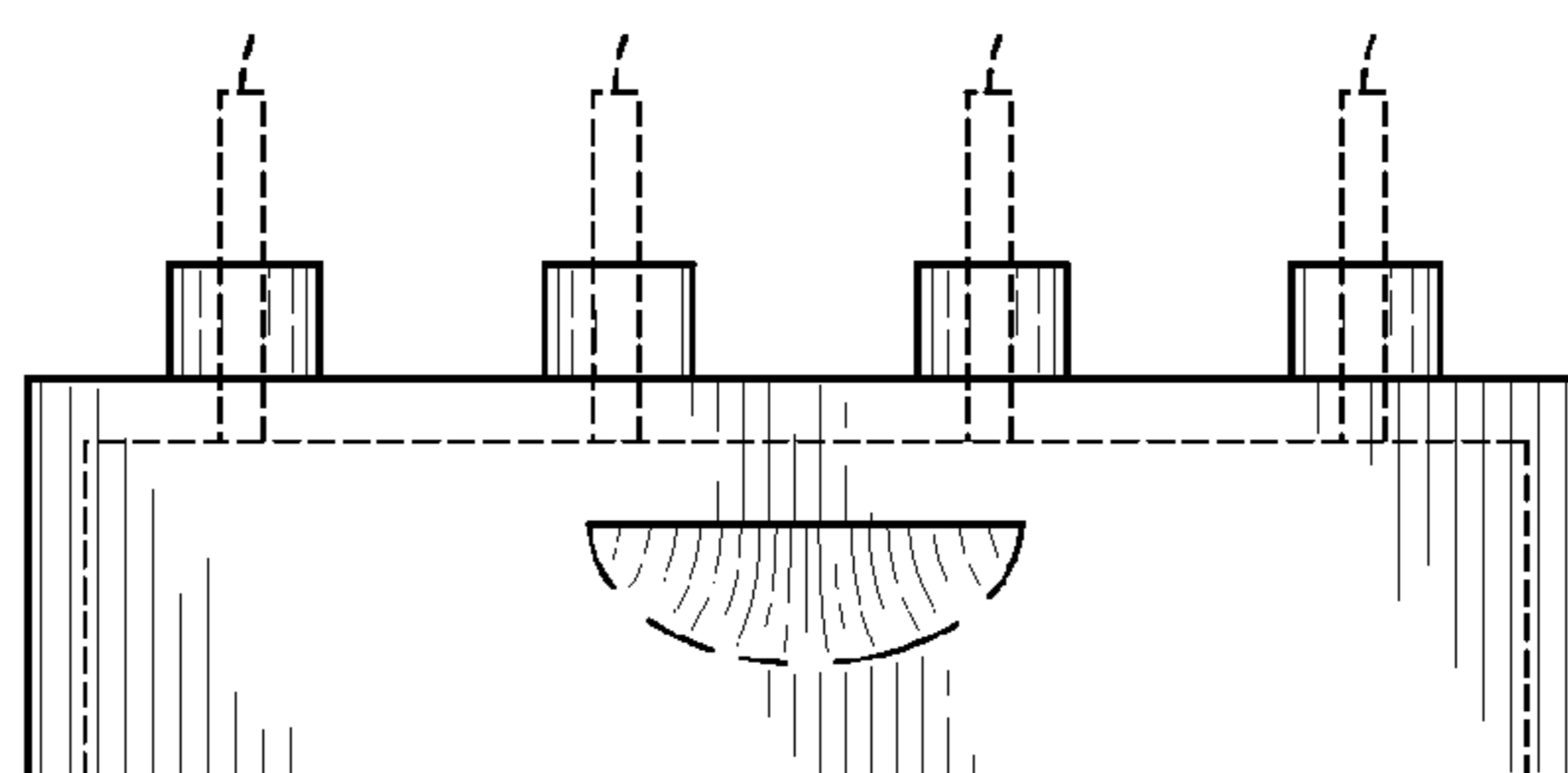


FIG. 3