



US00D625563S

(12) **United States Design Patent**  
**He**

(10) **Patent No.:** **US D625,563 S**

(45) **Date of Patent:** **\*\* Oct. 19, 2010**

(54) **BOTTLE**

(75) Inventor: **Junliang He**, Shanghai (CN)

(73) Assignee: **Sino-American Joint Venture  
Shanghai Hongchen Household Wares  
Co., Ltd.**, Shanghai (CN)

(\*\*) Term: **14 Years**

(21) Appl. No.: **29/360,060**

(22) Filed: **Apr. 20, 2010**

(30) **Foreign Application Priority Data**

Oct. 23, 2009 (CN) ..... 2009 3 0228891

(51) **LOC (9) Cl.** ..... **07-01**

(52) **U.S. Cl.** ..... **D7/608**

(58) **Field of Classification Search** ..... D7/605–608,  
D7/509–511, 601, 612; D9/500, 503, 504,  
D9/667; 215/12.1, 12.2, 13.1, 379, 381,  
215/382; 220/660

See application file for complete search history.

(56) **References Cited**

**U.S. PATENT DOCUMENTS**

D295,355 S \* 4/1988 Leung ..... D7/608

D378,652 S \* 4/1997 Yamanaka et al. .... D7/608  
D425,374 S \* 5/2000 Besser et al. .... D7/608  
D429,118 S \* 8/2000 Hurlbut ..... D7/608  
D450,982 S \* 11/2001 Gaze et al. .... D7/608  
D474,376 S \* 5/2003 Kitamura et al. .... D7/608  
D476,859 S \* 7/2003 Short ..... D7/608  
D502,846 S \* 3/2005 Matthews ..... D7/608

\* cited by examiner

*Primary Examiner*—Terry A Wallace

(74) *Attorney, Agent, or Firm*—Global IP Services; Tianhua Gu

(57) **CLAIM**

The ornamental design for a bottle, as shown and described.

**DESCRIPTION**

FIG. 1 is a front view of a bottle showing my new design;

FIG. 2 is a rear view thereof;

FIG. 3 is a left side view thereof;

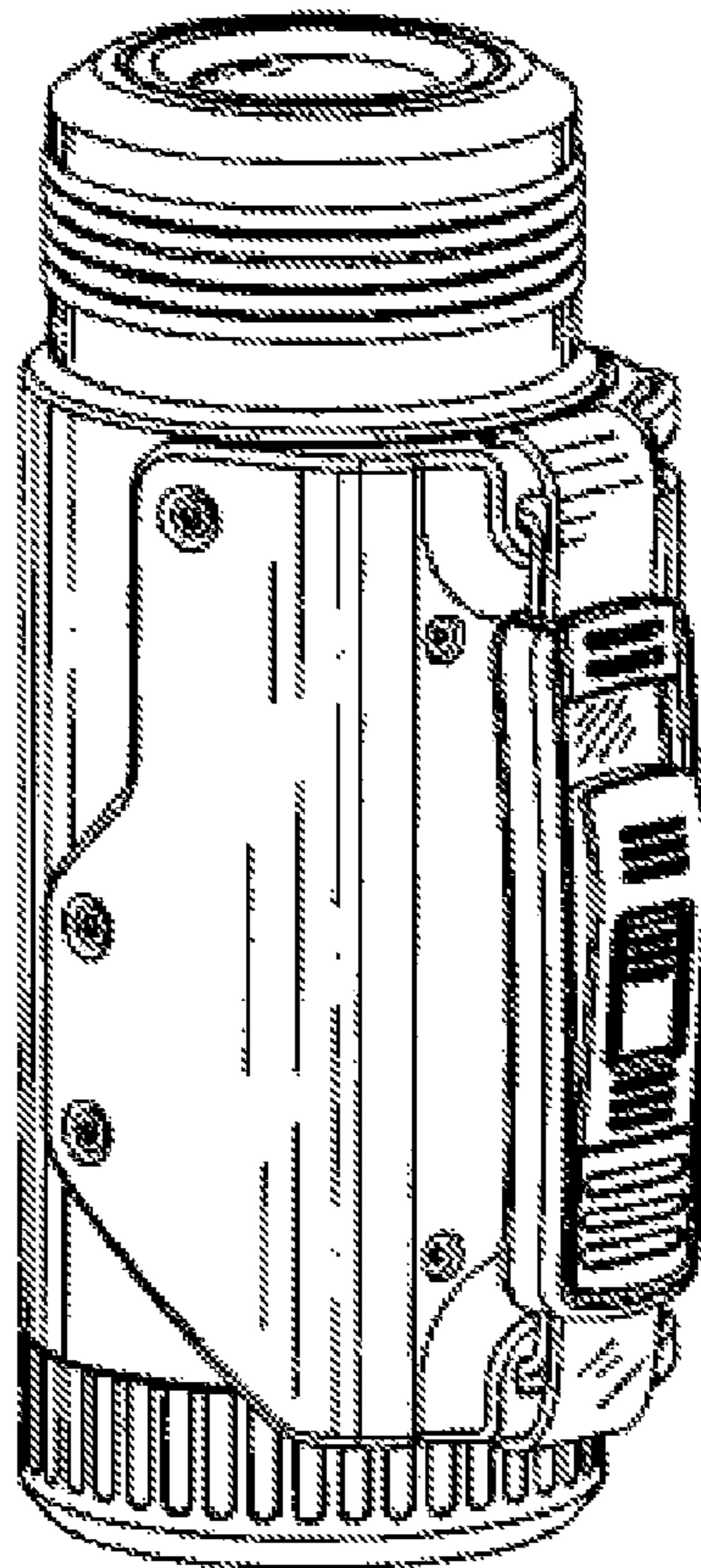
FIG. 4 is a right side view thereof;

FIG. 5 is a top plan view thereof;

FIG. 6 is a bottom plan view thereof; and,

FIG. 7 is a left front perspective view thereof.

**1 Claim, 4 Drawing Sheets**



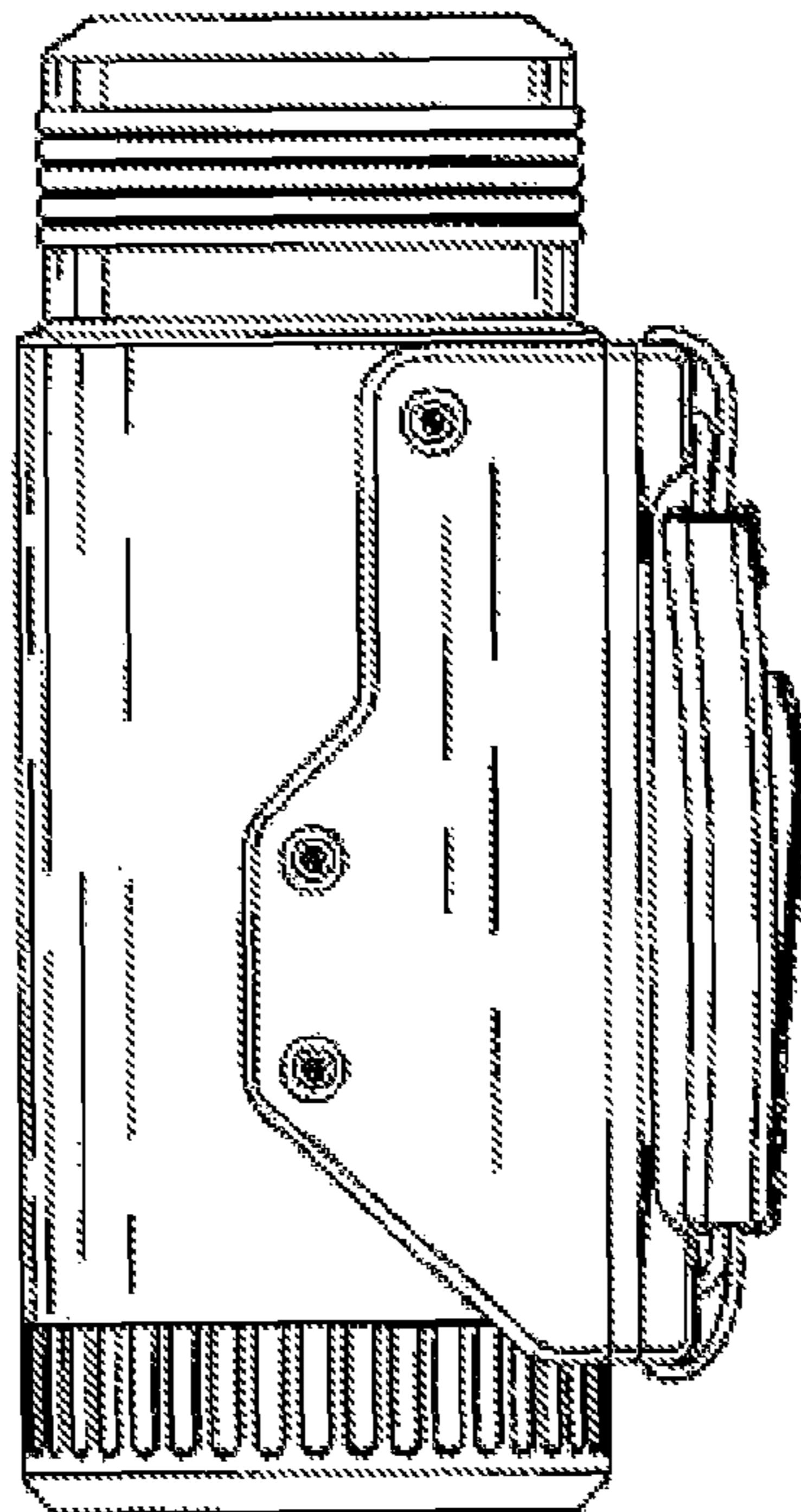


Fig. 1

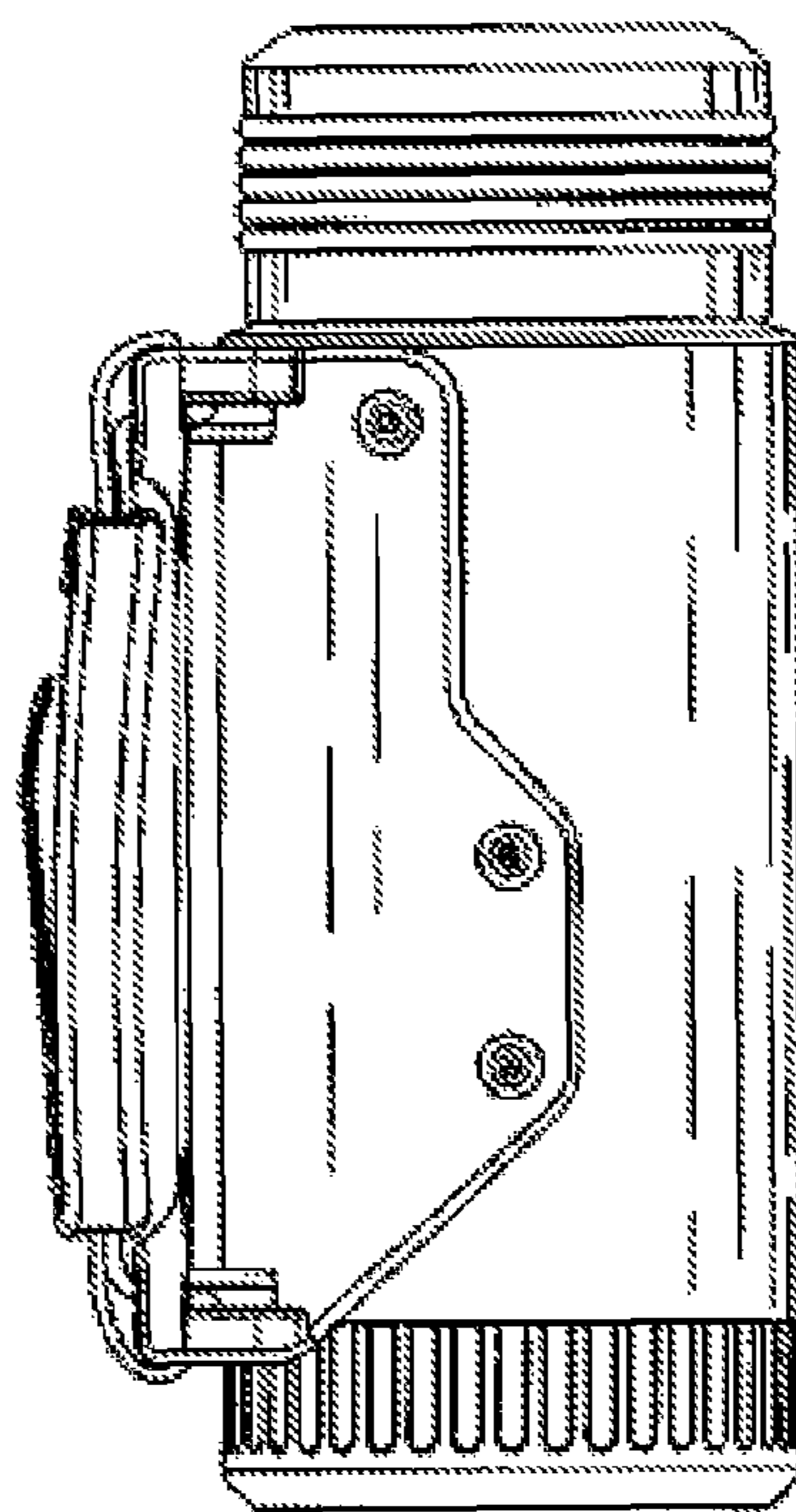


Fig. 2

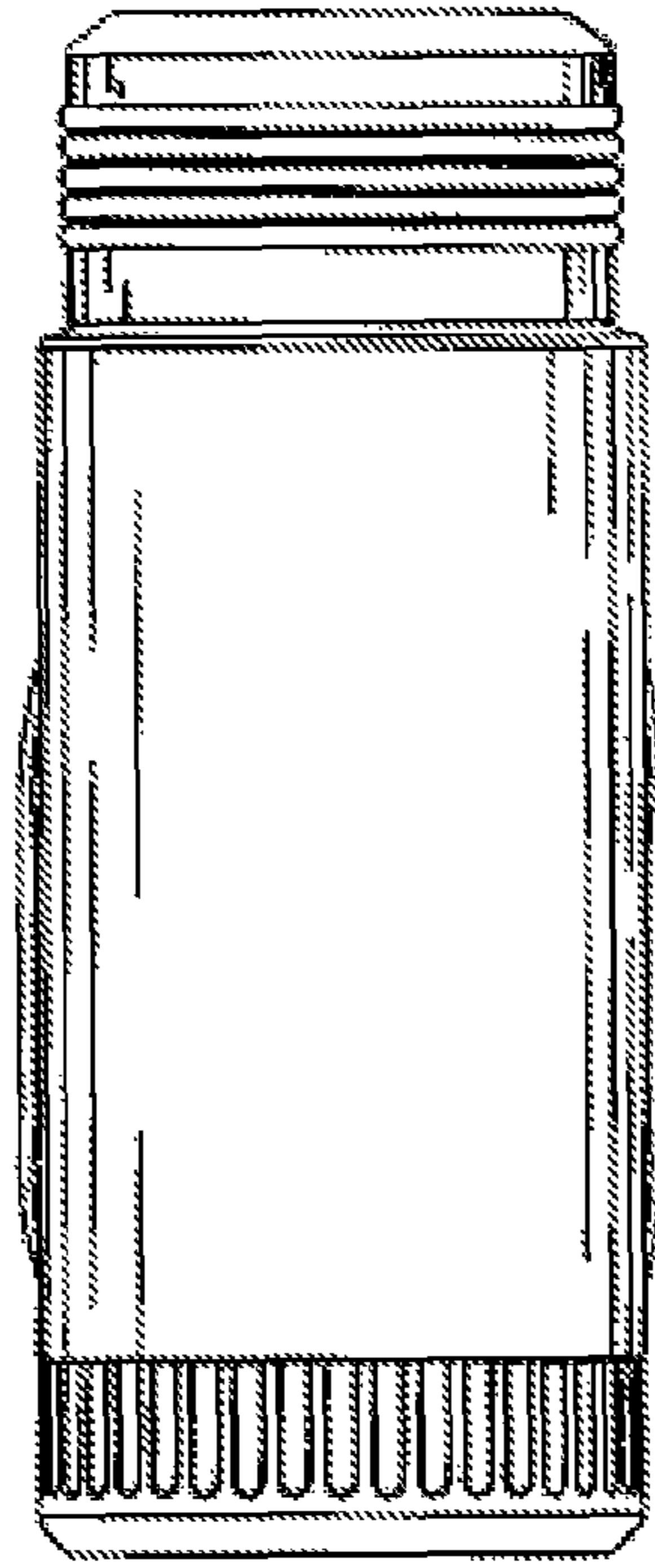


Fig. 3

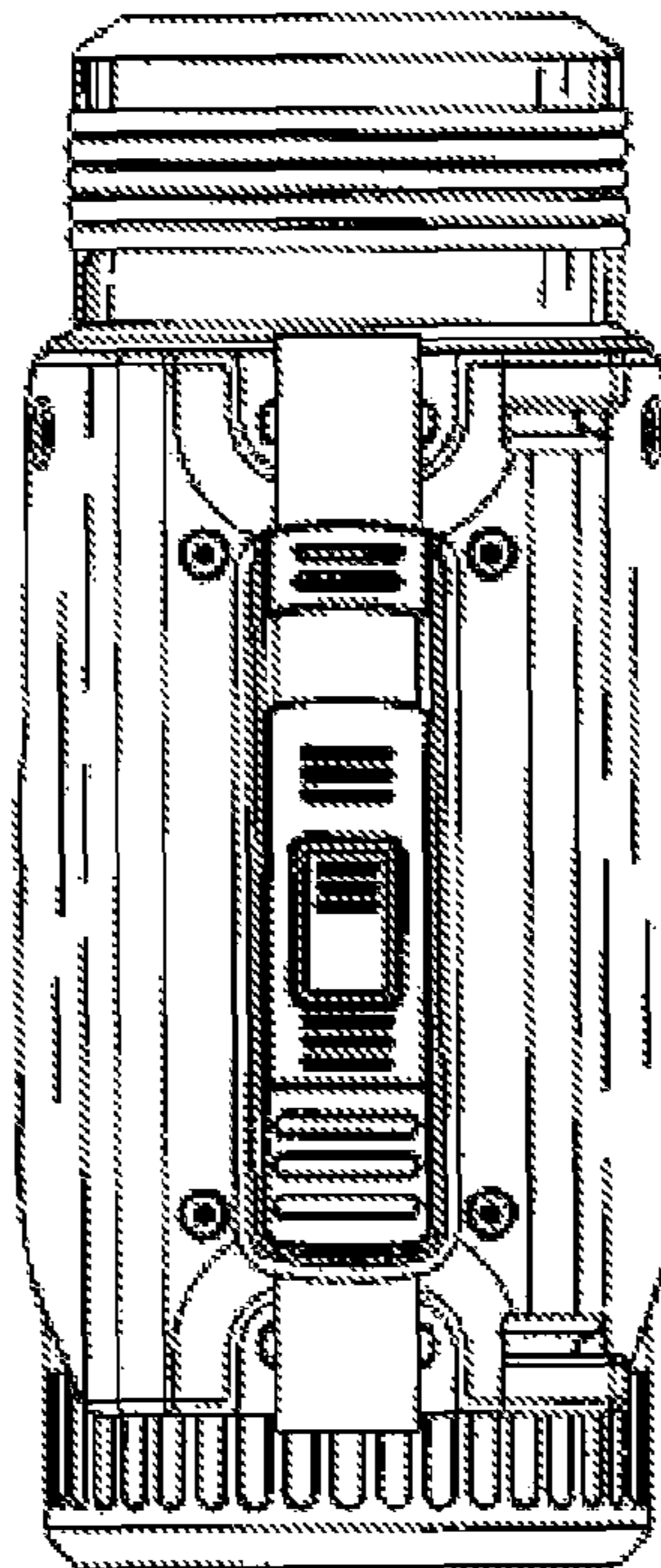


Fig. 4

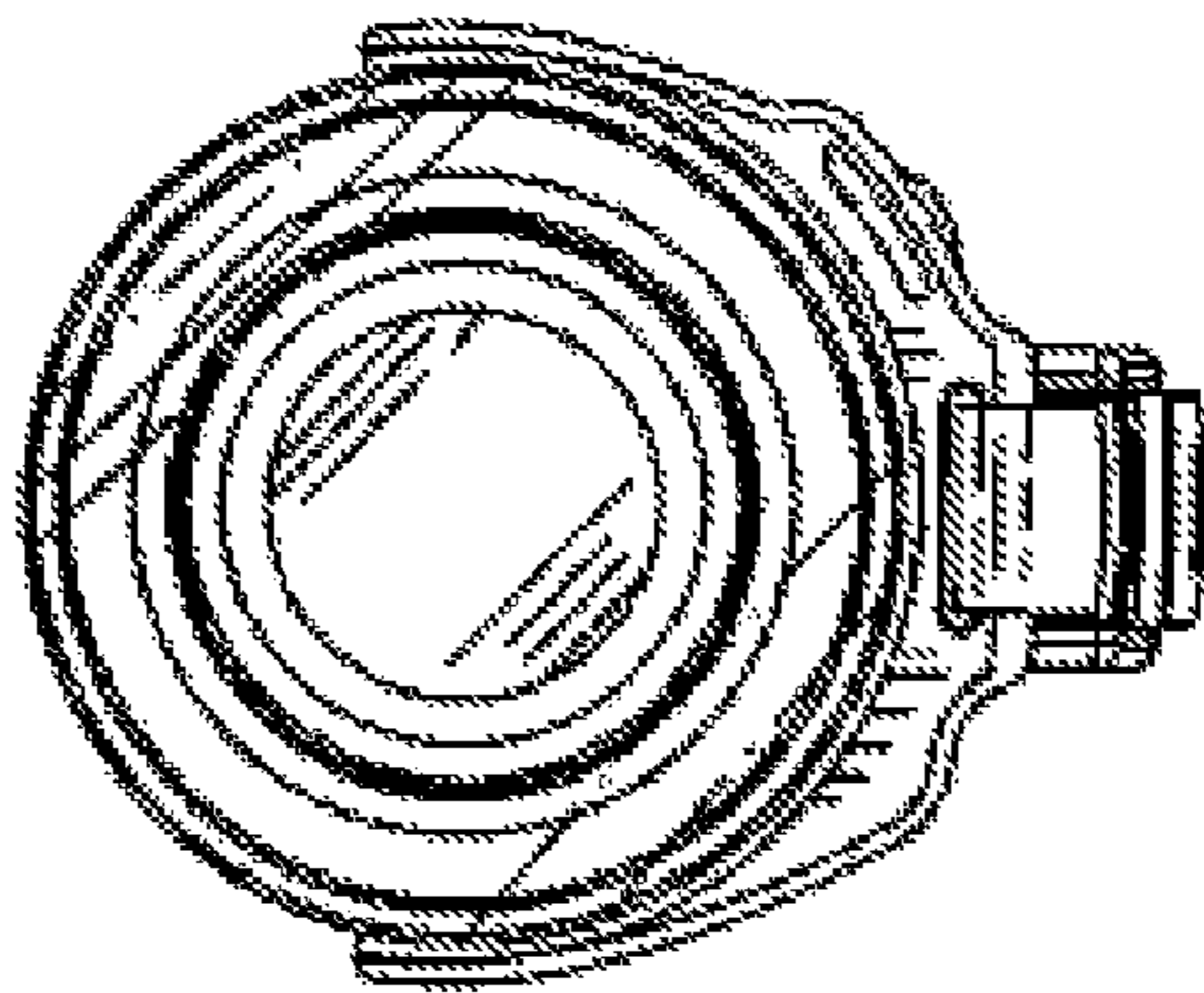


Fig. 5

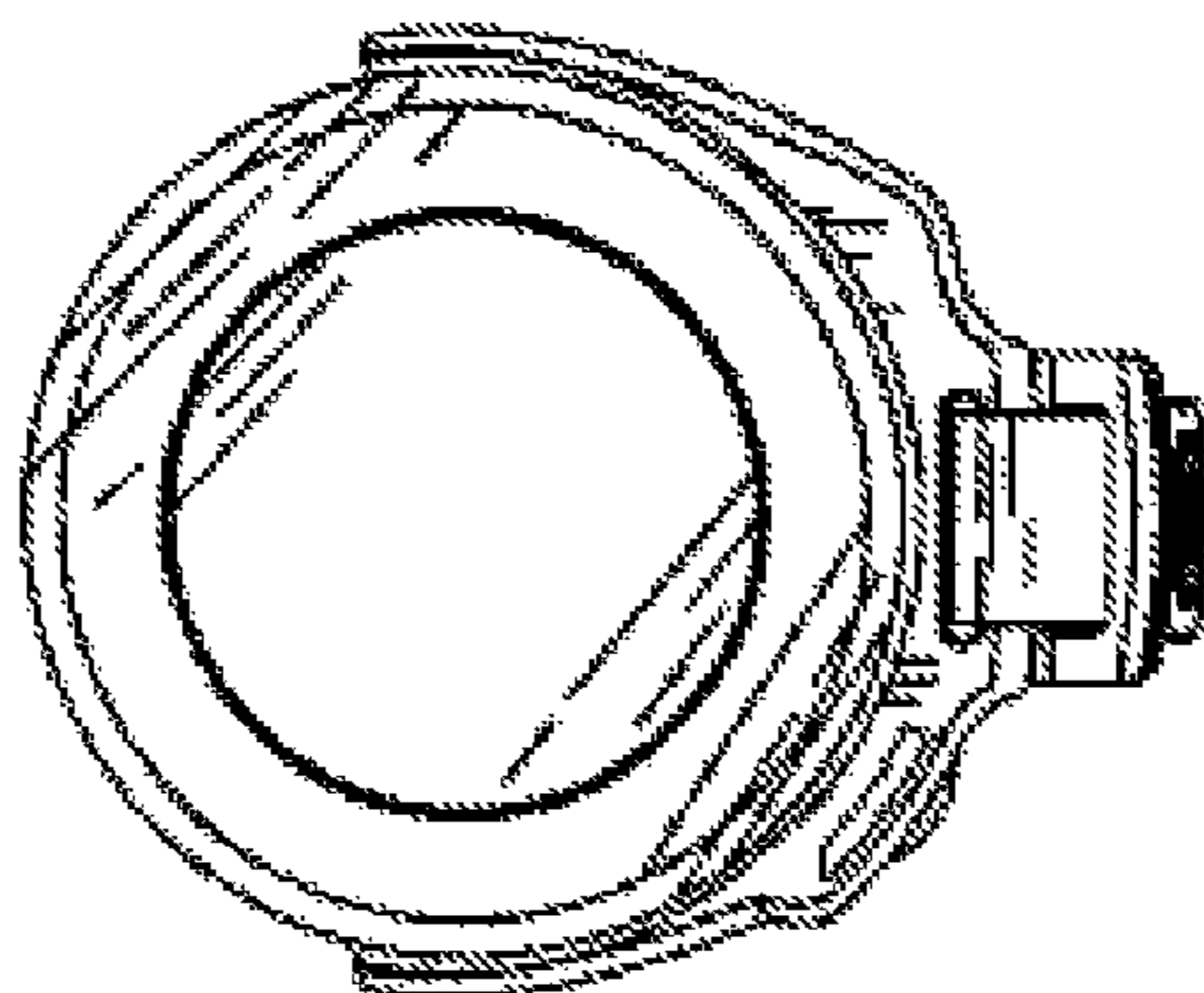


Fig. 6

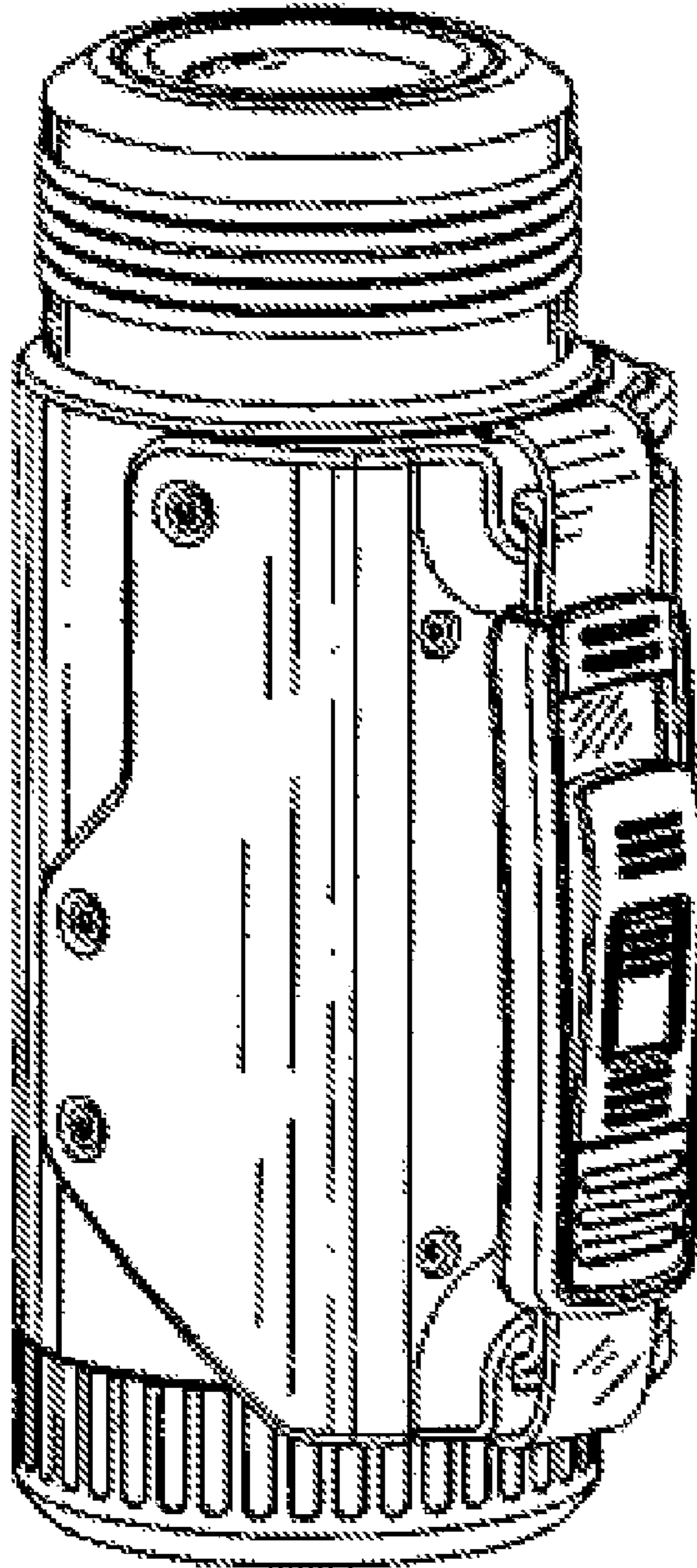


Fig. 7