



US00D625561S

(12) **United States Design Patent**
Ablo

(10) **Patent No.:** **US D625,561 S**
(45) **Date of Patent:** **** Oct. 19, 2010**

(54) **PORTABLE LIQUID FLASK**
(75) Inventor: **Famia E. Ablo**, Orlando, FL (US)
(73) Assignee: **Dart Industries Inc.**, Orlando, FL (US)
(**) Term: **14 Years**
(21) Appl. No.: **29/349,779**
(22) Filed: **Apr. 30, 2010**
(51) **LOC (9) Cl.** **07-01**
(52) **U.S. Cl.** **D7/511; D7/608**
(58) **Field of Classification Search** D7/509–511,
D7/605–608; D9/500, 503, 504, 667, 542,
D9/549, 516, 538; 215/379–382, 12.1, 12.2,
215/13.1, 11.1, 11.6; 220/592.2, 592.16,
220/592.01, 592.27, 660, 669–673, 675
See application file for complete search history.

D482,571 S 11/2003 Leinenweber
D482,972 S 12/2003 Young et al.
D488,675 S * 4/2004 Moore D7/608
D496,559 S * 9/2004 Bodum D7/510
D498,419 S 11/2004 Martin
D501,133 S 1/2005 Schuller et al.
D502,844 S 3/2005 Rohe
D504,614 S 5/2005 Schuller et al.
D513,185 S 12/2005 Ruiz
D519,376 S 4/2006 Ames
D528,861 S 9/2006 Herrera
D528,910 S 9/2006 Kingsley
D533,064 S 12/2006 Glynn et al.
D537,676 S 3/2007 Kingsley
D538,597 S 3/2007 Kim
7,234,606 B2 6/2007 Kraus et al.
D564,840 S 3/2008 Williams
D572,078 S 7/2008 Bhavnani
7,516,862 B2 4/2009 McDonough
D604,991 S 12/2009 Ablo

* cited by examiner

Primary Examiner—Terry A Wallace

(74) *Attorney, Agent, or Firm*—John A. Doninger

(56) **References Cited**

U.S. PATENT DOCUMENTS

D78,465 S 5/1929 Groninger
D85,005 S 9/1931 Rosenberger
D186,424 S 10/1959 Oberlin et al.
D249,111 S 8/1978 Geyer
D285,533 S 9/1986 Berish et al.
D339,068 S * 9/1993 Bell et al. D9/538
D342,449 S 12/1993 Mattheis
D358,296 S * 5/1995 Garneau D7/510
D361,922 S * 9/1995 Van Dyk D7/510
5,590,542 A 1/1997 Wang
D382,811 S 8/1997 Kotyuk et al.
D398,519 S 9/1998 Keene
D422,455 S * 4/2000 Kato D7/608
D428,339 S 7/2000 Johnston et al.
6,119,888 A * 9/2000 Goto et al. 220/592.27
D436,800 S 1/2001 Nowak et al.
D447,693 S 9/2001 Warner et al.
D448,244 S 9/2001 Thomas
D451,806 S 12/2001 Stalder
D472,148 S 3/2003 Dowd

(57) **CLAIM**

The ornamental design for a portable liquid flask, as shown and described.

DESCRIPTION

FIG. 1 is a top, side and front perspective view of a portable liquid flask showing my new design;

FIG. 2 is a front elevation view, the rear elevation being a mirror image thereof;

FIG. 3 is a right side elevation view thereof;

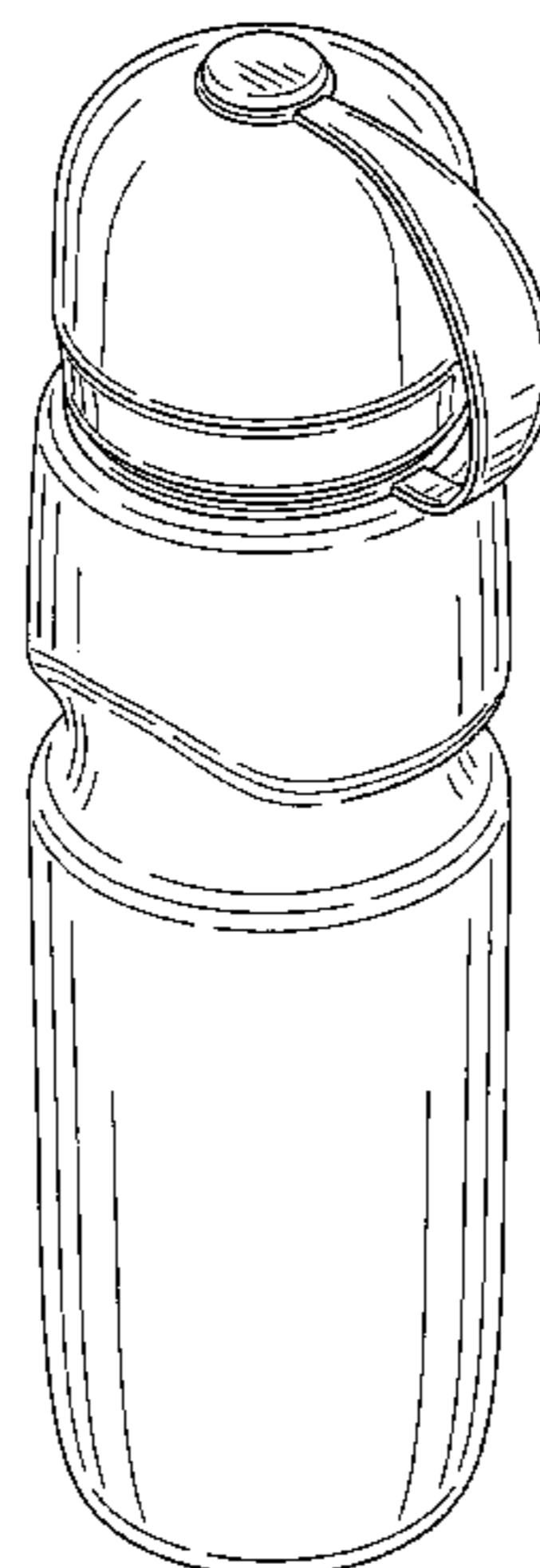
FIG. 4 is a left side elevation view thereof;

FIG. 5 is a top plan view thereof;

FIG. 6 is a bottom plan view thereof; and,

FIG. 7 is a bottom, side and rear perspective view thereof.

1 Claim, 4 Drawing Sheets



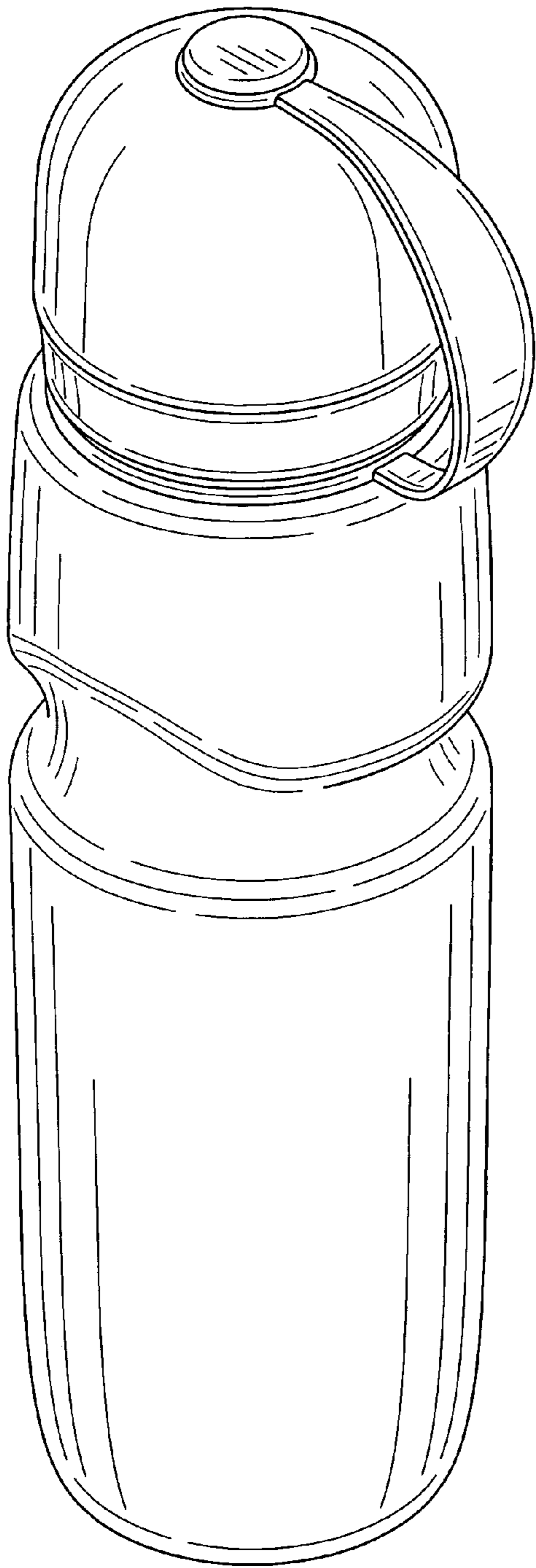


FIG. 1

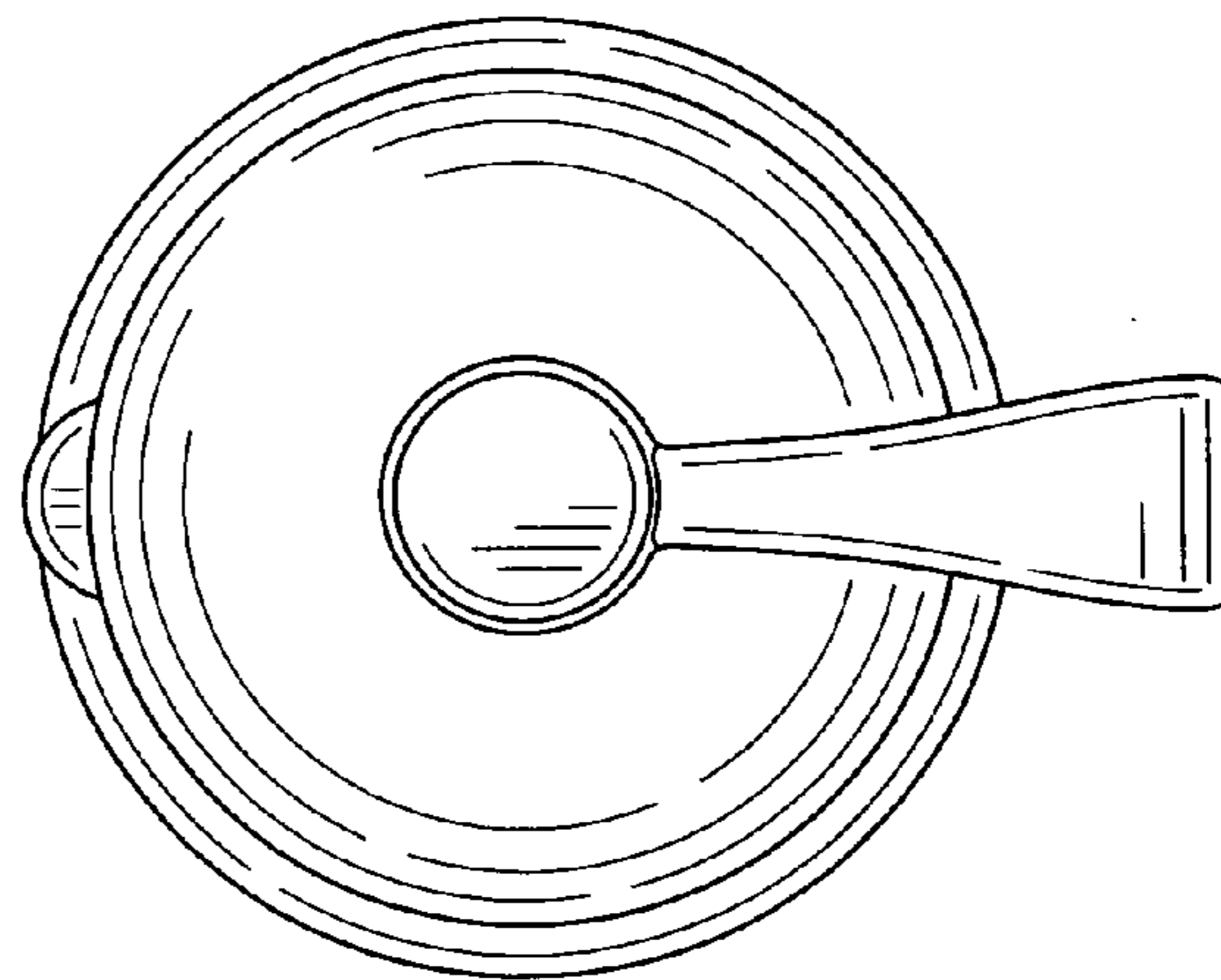


FIG. 5

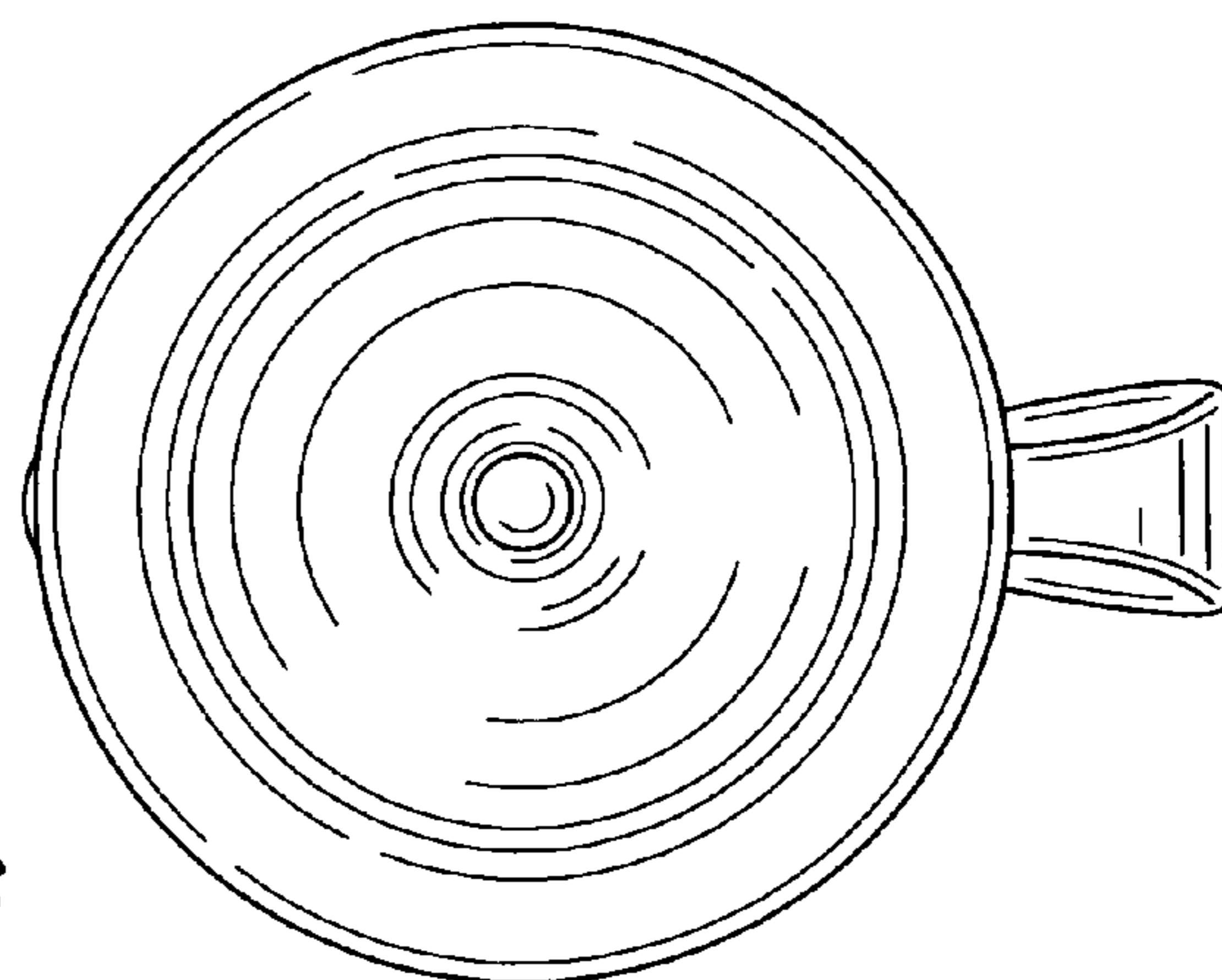


FIG. 6

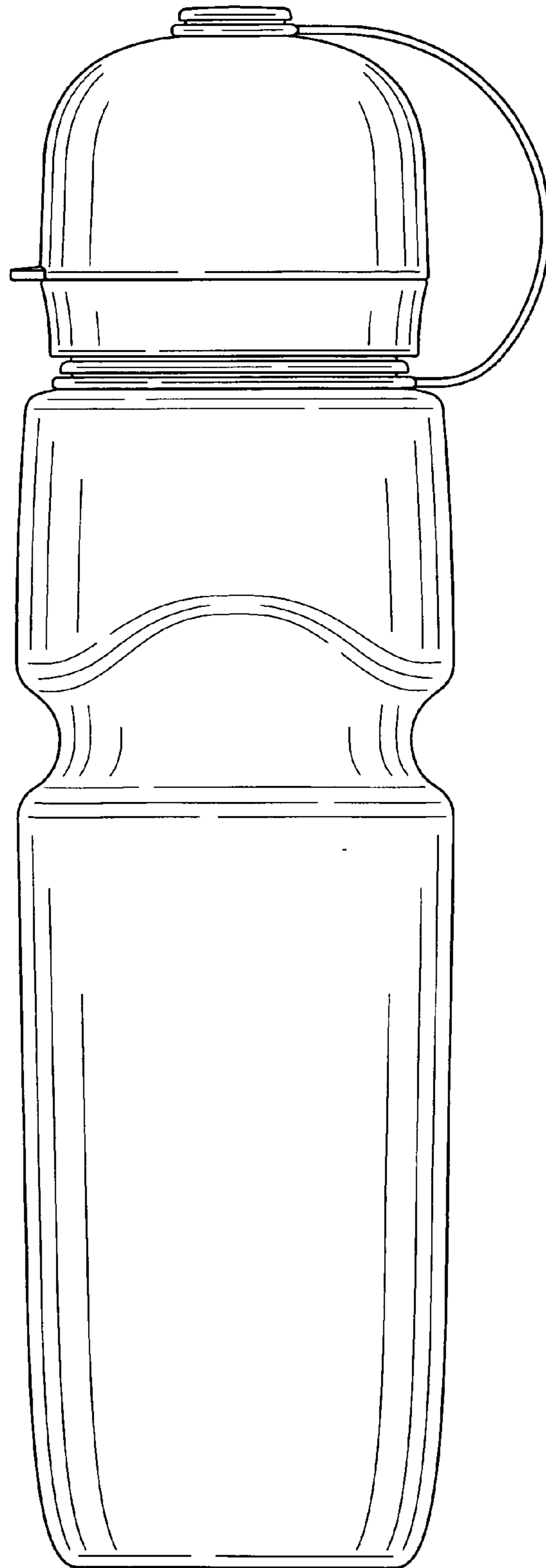


FIG. 2

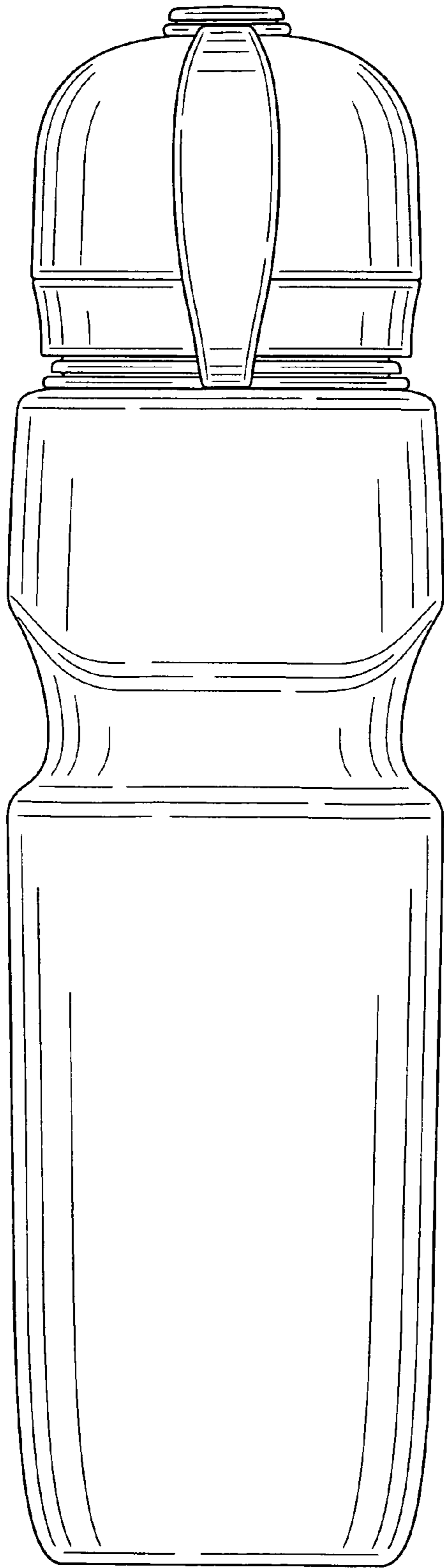


FIG. 3

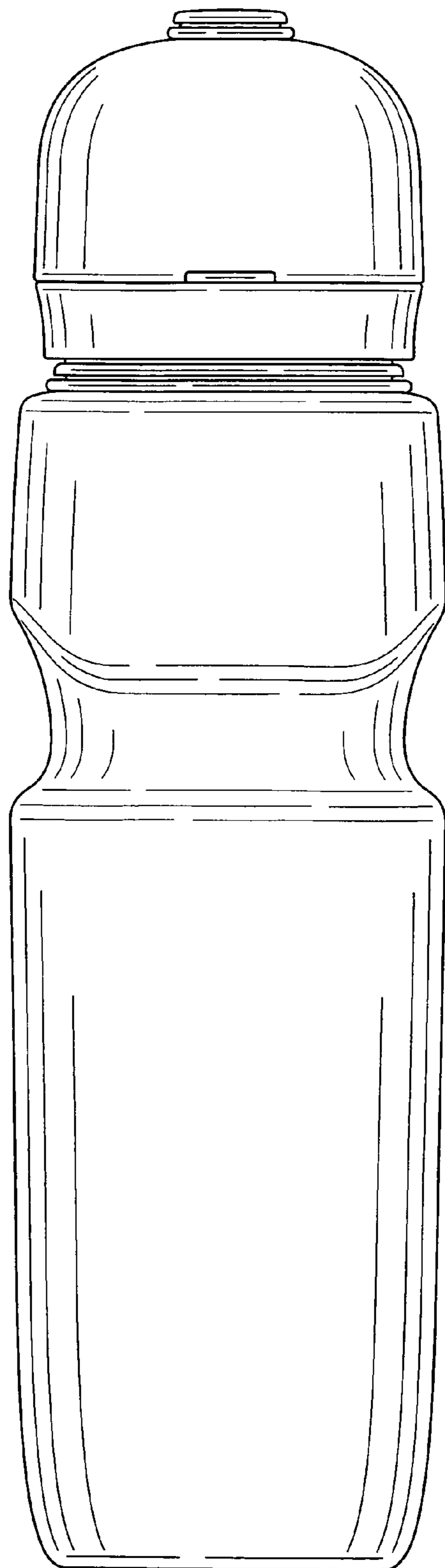


FIG. 4

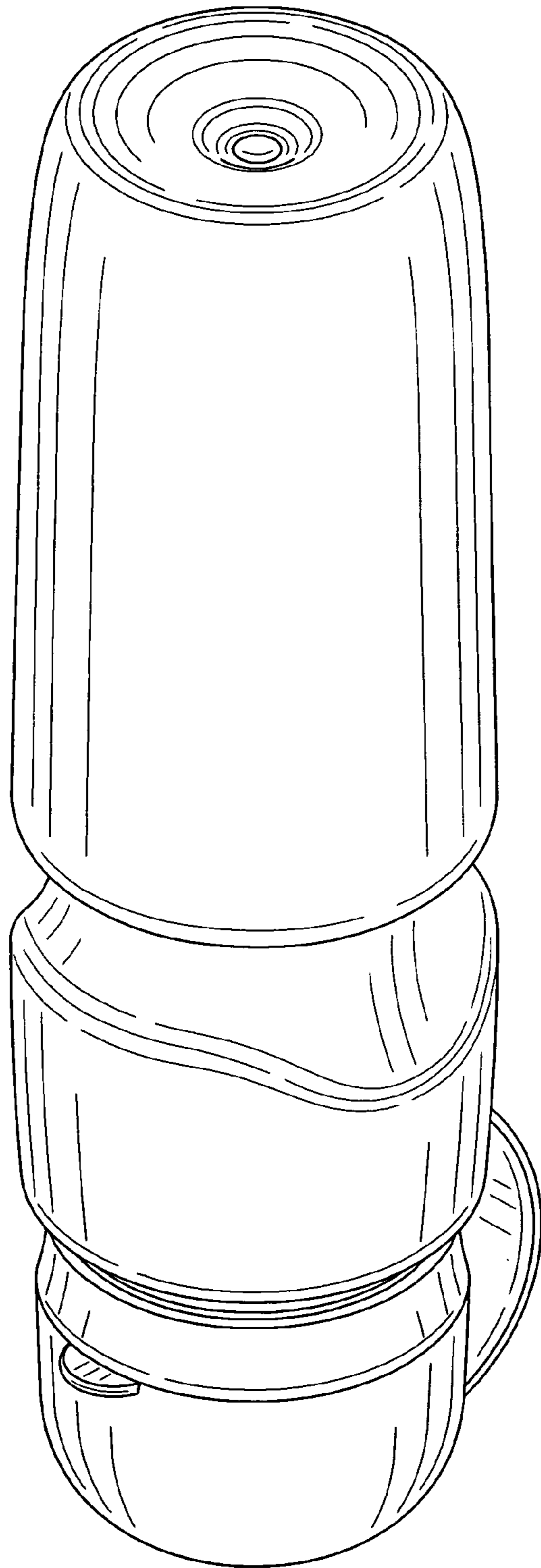


FIG. 7