



US00D625548S

(12) **United States Design Patent**
Lavy et al.

(10) **Patent No.:** **US D625,548 S**
(45) **Date of Patent:** **** Oct. 19, 2010**

(54) **CHAFING DISH**

(76) Inventors: **Danny Lavy**, 775 Lexington Ave.,
Westmont, Quebec (CA) H3Y 1K9; **Shae**
M Hong, 9274 Warbler Way, Los
Angeles, CA (US) 90069

(**) Term: **14 Years**

(21) Appl. No.: **29/356,618**

(22) Filed: **Mar. 1, 2010**

(51) **LOC (9) Cl.** **07-02**

(52) **U.S. Cl.** **D7/366**

(58) **Field of Classification Search** D7/323,
D7/330-331, 337, 339, 347, 350-367, 378-379,
D7/383-384, 391-395, 542-545, 560; 99/324-325,
99/329 R, 330-339, 372, 375, 400, 412-413,
99/425; 219/432-433, 438-441, 620-622,
219/725-730; 220/203.1, 203.07, 203.09,
220/298, 303, 316, 356.1, 573.1-574, 769,
220/912; 426/438, 441

See application file for complete search history.

(56) **References Cited**

U.S. PATENT DOCUMENTS

D268,471 S * 4/1983 Gremonprez D7/355

(Continued)

Primary Examiner—Stella M Reid

Assistant Examiner—Ricky Pham

(74) *Attorney, Agent, or Firm*—Husch Blackwell LLP Welsh
Katz

(57) **CLAIM**

The ornamental design for a chafing dish, as shown and
described.

DESCRIPTION

FIG. 1 is a front perspective view of a chafing dish showing
our new design;

FIG. 2 is a front elevational view of the chafing dish shown in
FIG. 1;

FIG. 3 is a rear elevational view of the chafing dish shown in
FIG. 1;

FIG. 4 is a top plan view of the chafing dish shown in FIG. 1,
a bottom plan view not being shown as it is devoid of orna-
mentation;

FIG. 5 is a left side elevational view of the chafing dish shown
in FIG. 1, the right side being a mirror image of the right side;

FIG. 6 is a front perspective view of the chafing dish shown in
FIG. 1, with the lid removed;

FIG. 7 is a front elevational view of the chafing dish shown in
FIG. 6;

FIG. 8 is a rear elevational view of the chafing dish shown in
FIG. 6;

FIG. 9 is a right side elevational view of the chafing dish
shown in FIG. 6, the left side being a mirror image of the right
side;

FIG. 10 is a top plan view of the chafing dish shown in FIG.
6, a bottom plan view not being shown as it is devoid of
ornamentation;

FIG. 11 is a front perspective view of the chafing dish shown
in FIG. 1, with the lid and tray removed;

FIG. 12 is a front elevational view of the chafing dish shown
in FIG. 11;

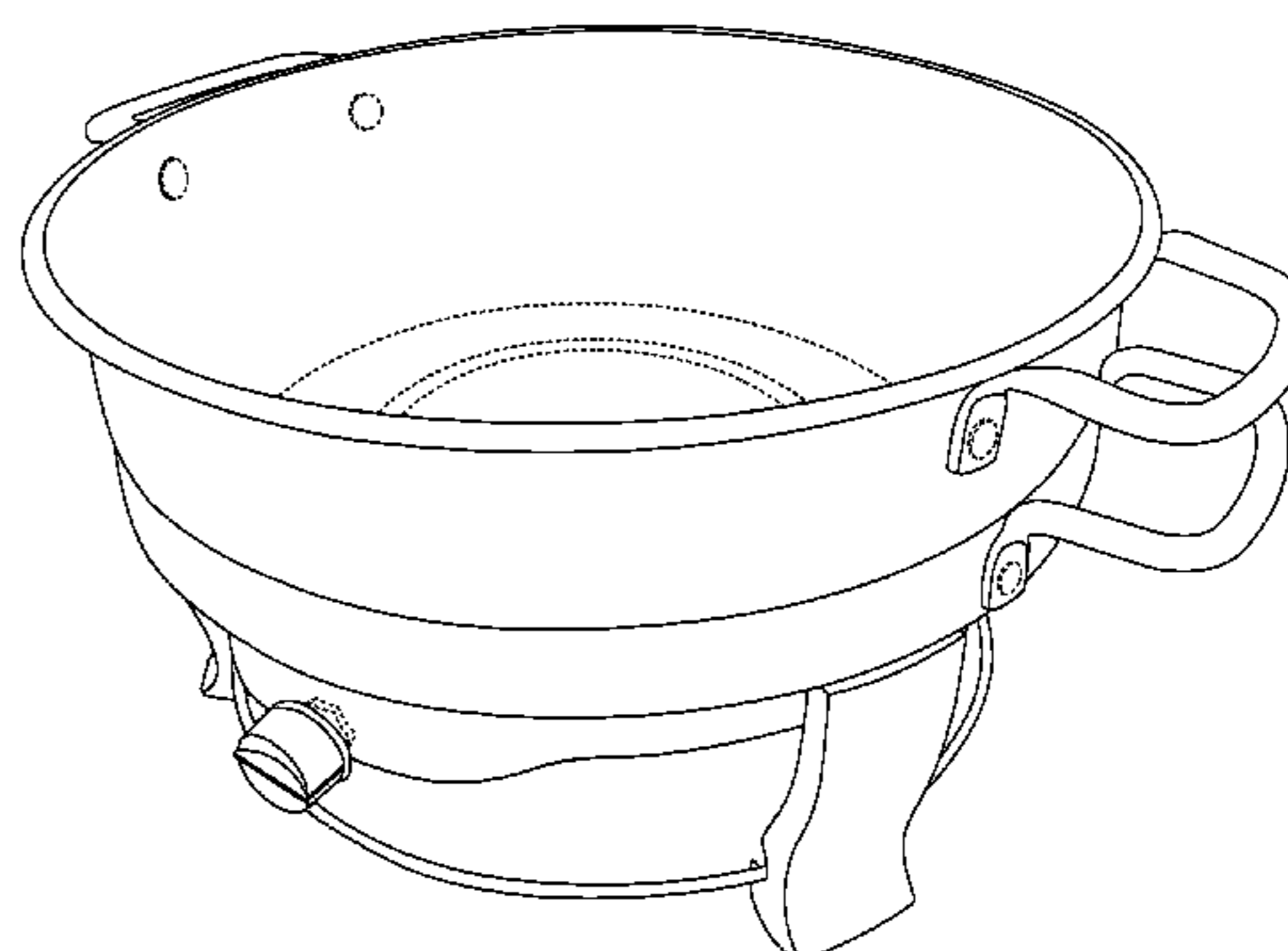
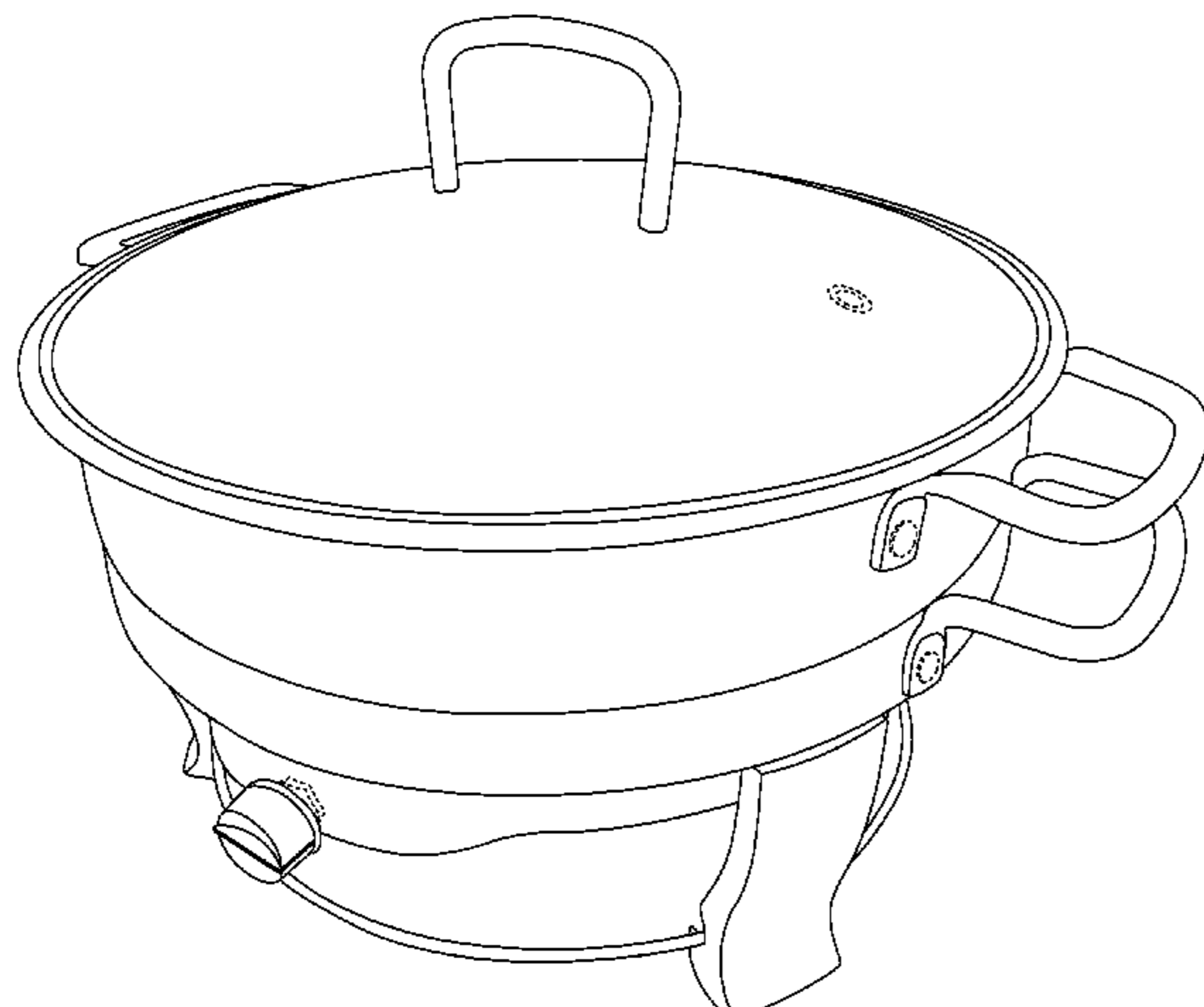
FIG. 13 is a rear elevational view of the chafing dish shown in
FIG. 11;

FIG. 14 is a right side elevational view of the chafing dish
shown in FIG. 11, the left side being a mirror image of the
right side; and,

FIG. 15 is a top plan view of the chafing dish shown in FIG.
11, a bottom plan view not being shown as it is devoid of
ornamentation.

The broken lines shown in the Figures are used for illustrative
purposes only and form no part of the claimed design.

1 Claim, 9 Drawing Sheets



US D625,548 S

Page 2

U.S. PATENT DOCUMENTS

D433,272 S	*	11/2000	Park	D7/355	
D488,343 S	*	4/2004	Tse	D6/355	* cited by examiner
D488,950 S	*	4/2004	Tse	D7/355	
D503,584 S	*	4/2005	White et al.	D7/355	

Fig. 1

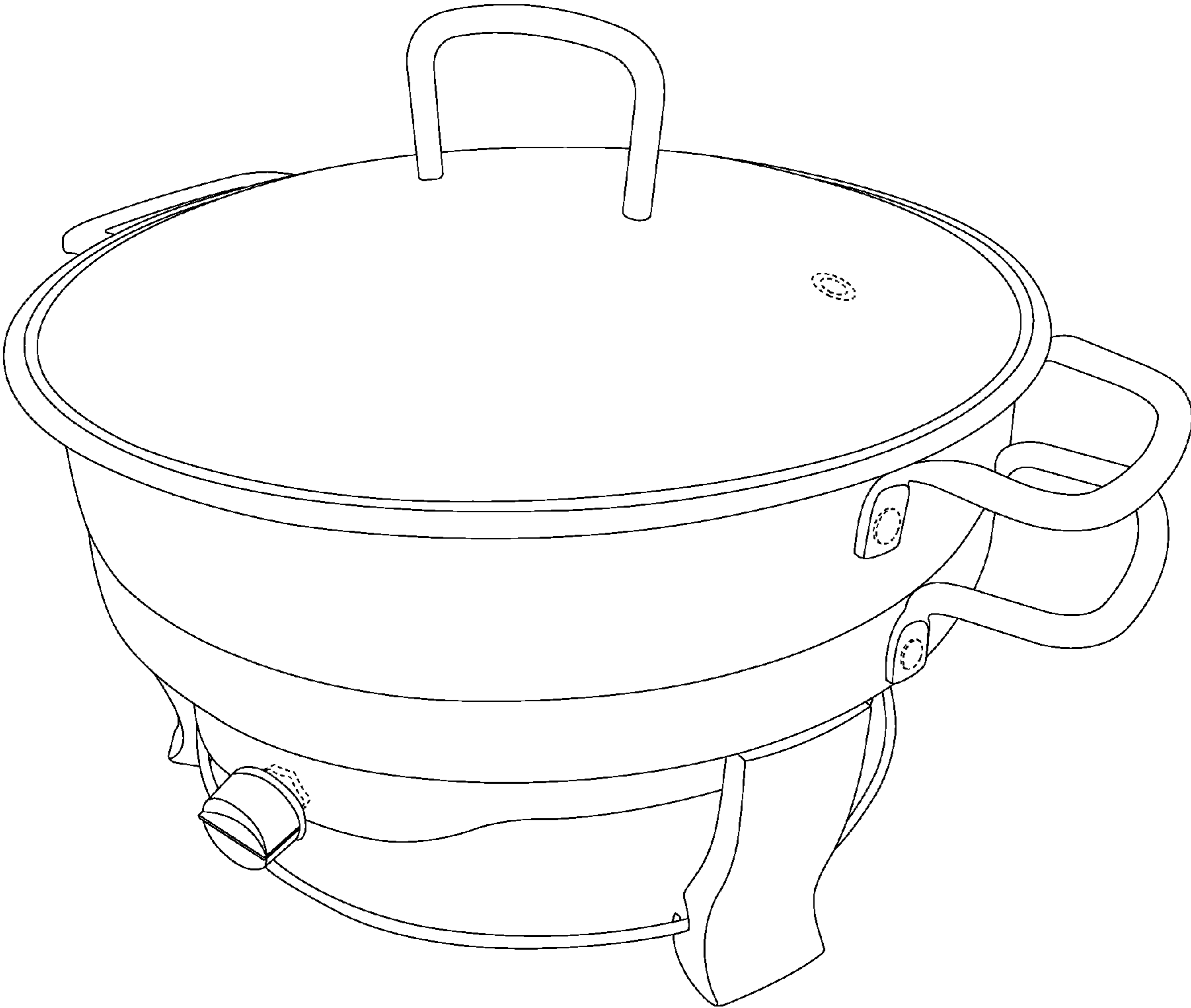


Fig. 2



Fig. 3

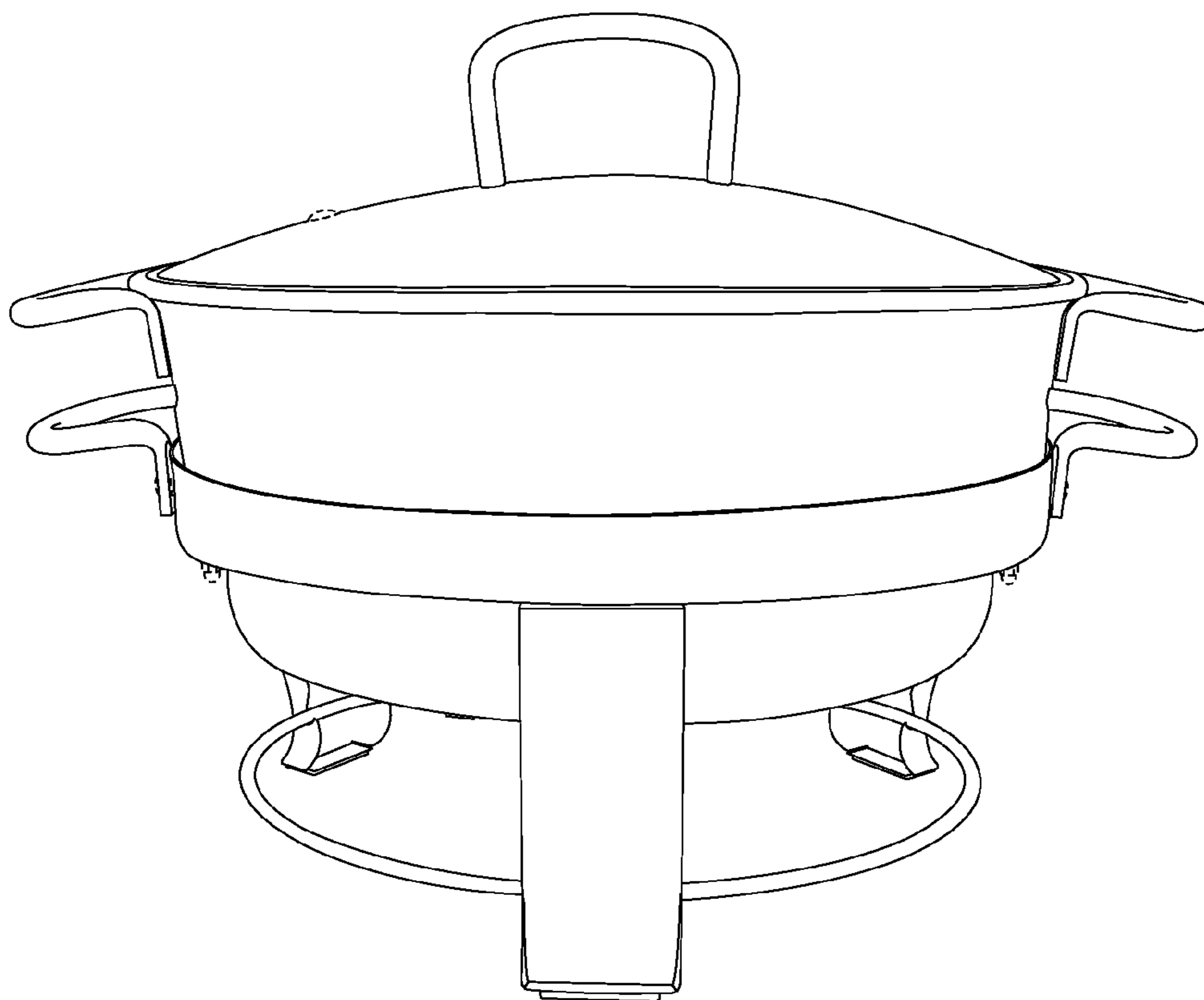


Fig. 4

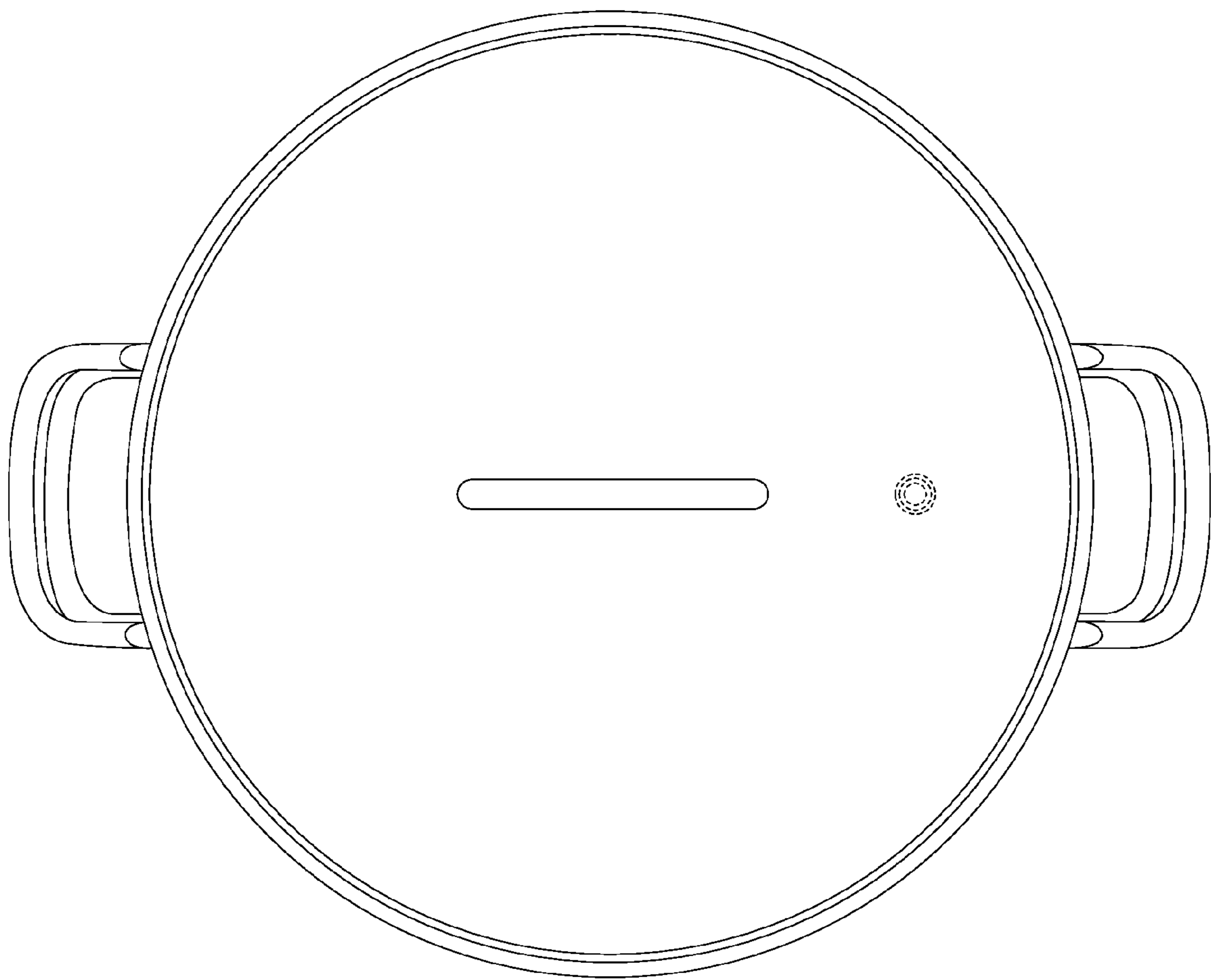


Fig. 5

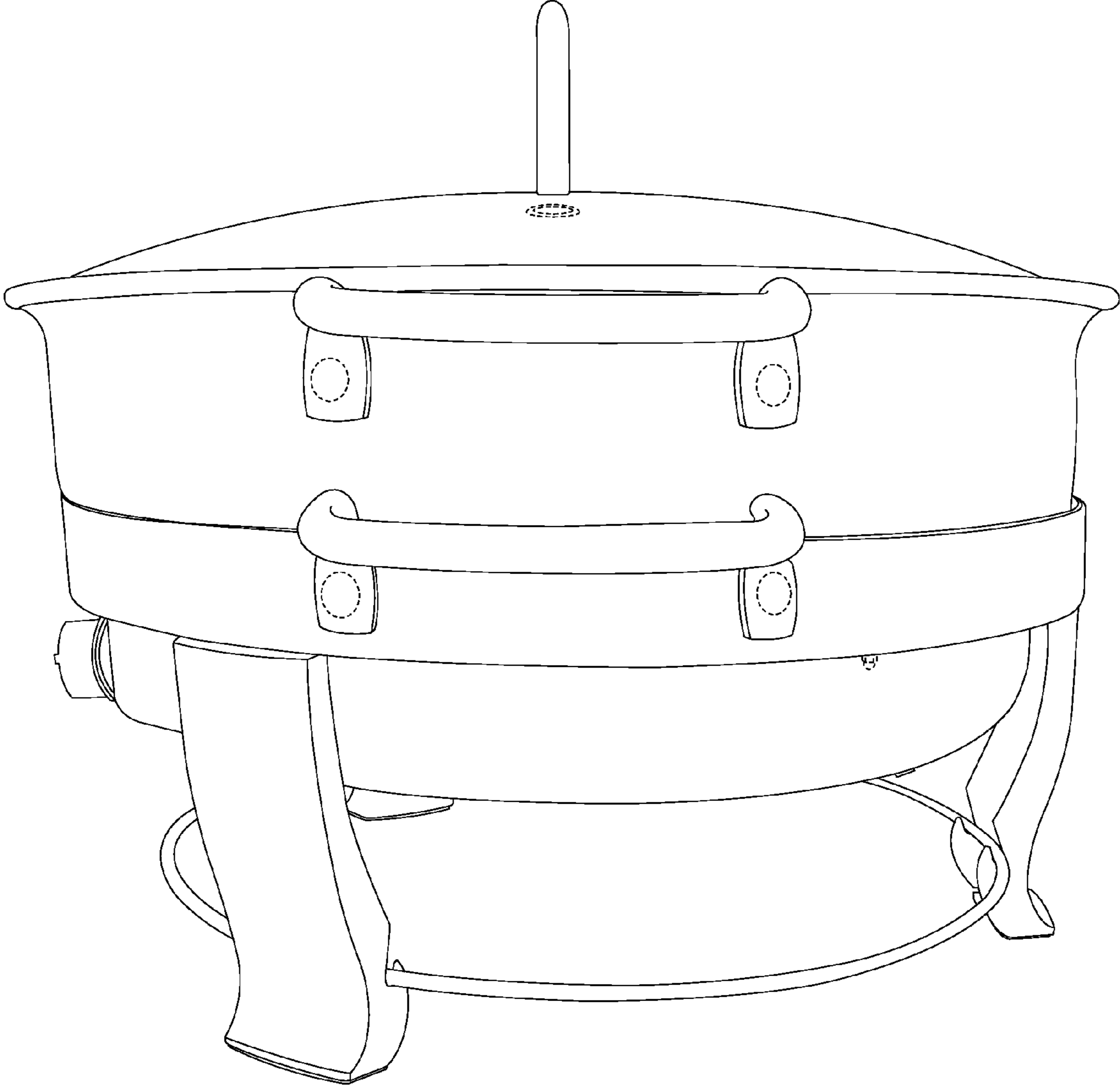


Fig. 6

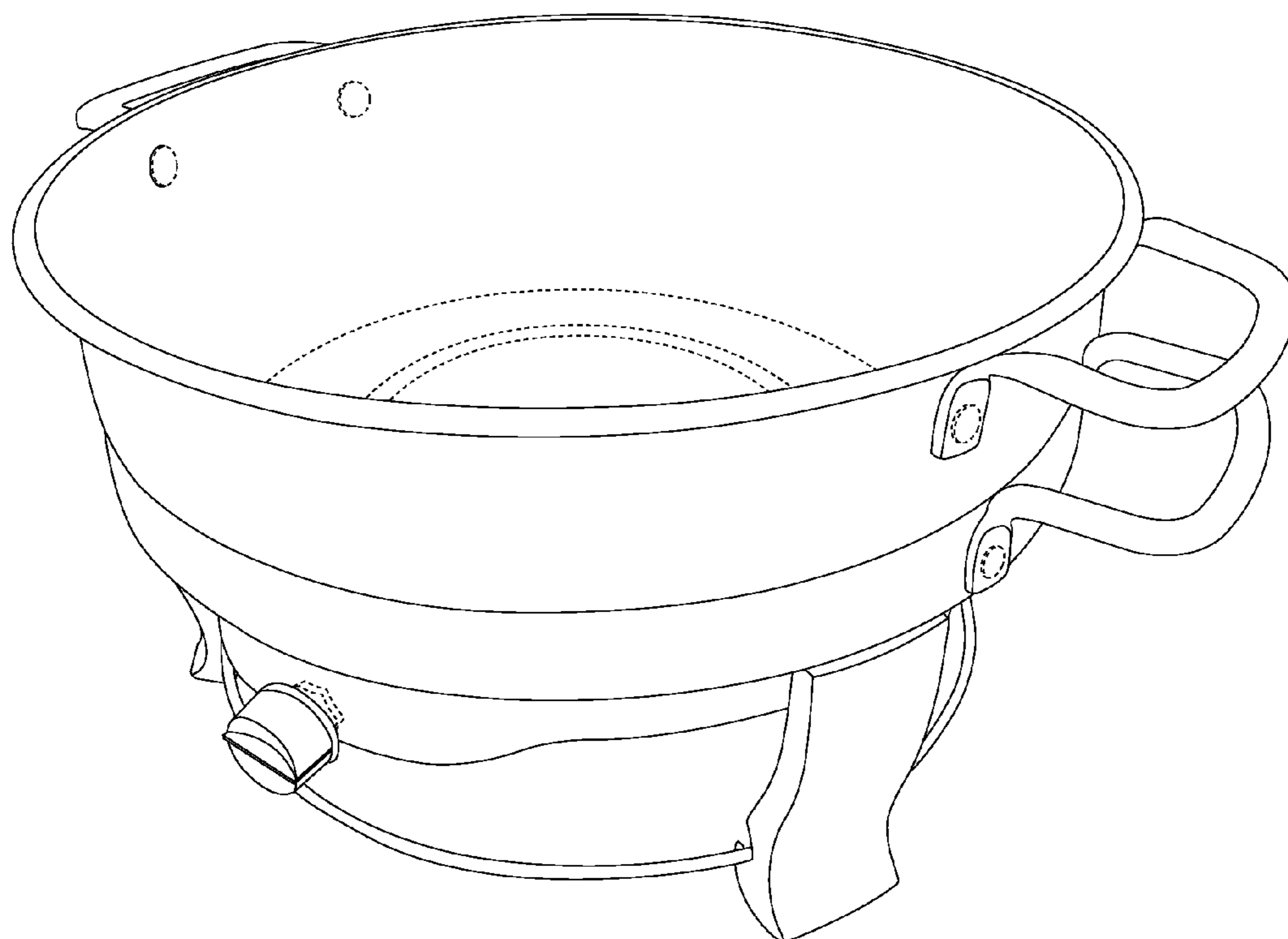


Fig. 7

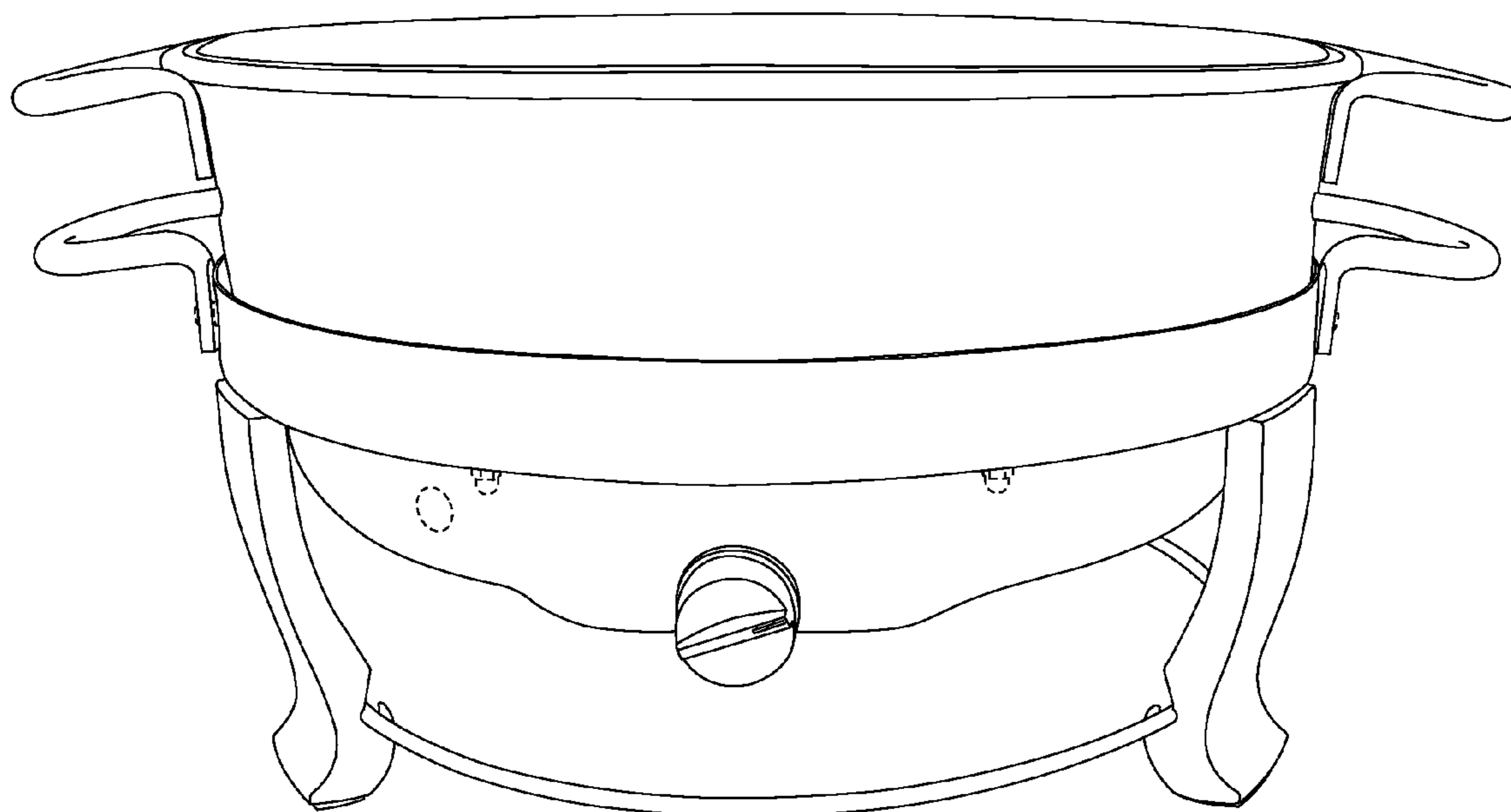


Fig. 8

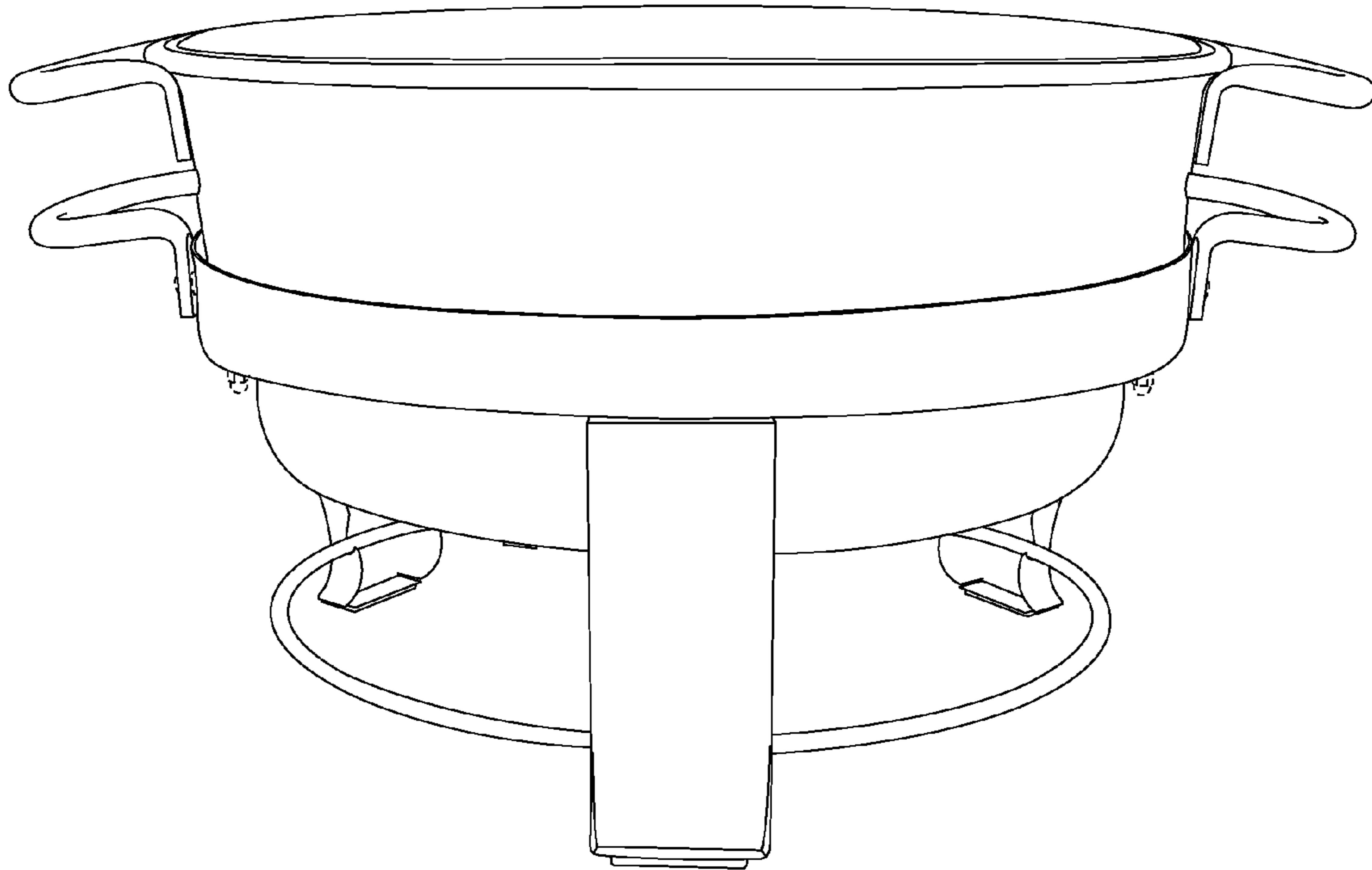


Fig. 9

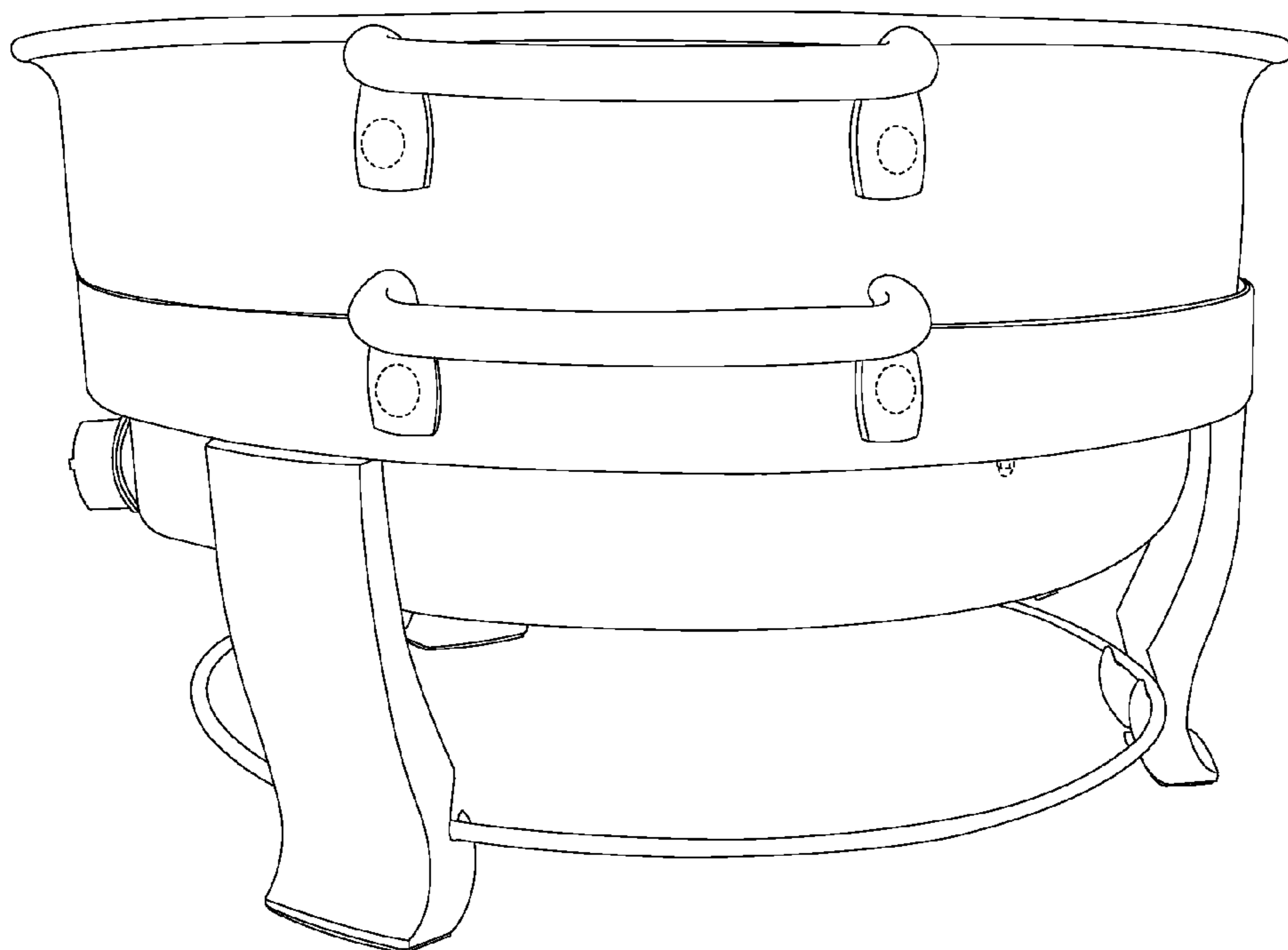


Fig. 10

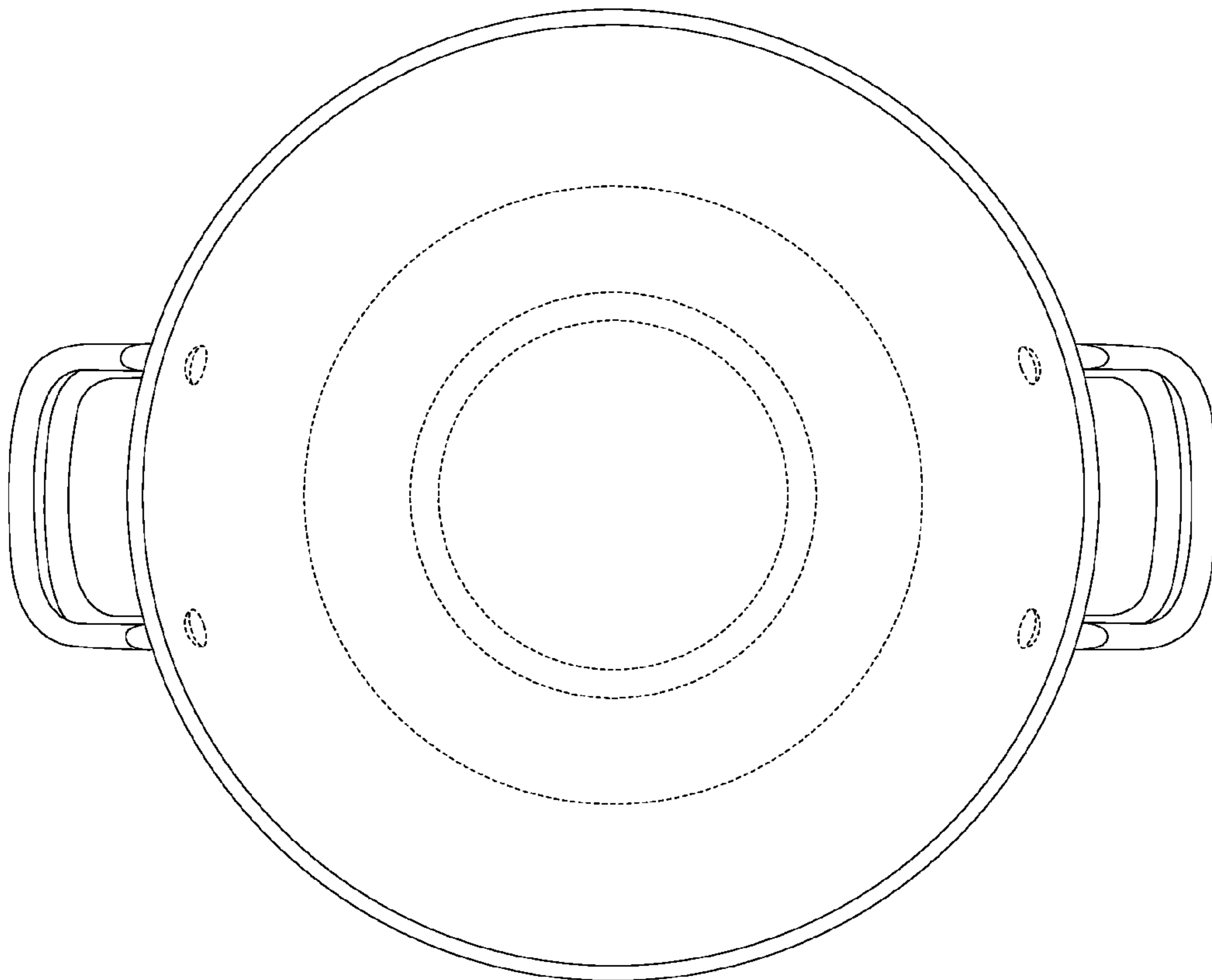


Fig. 11

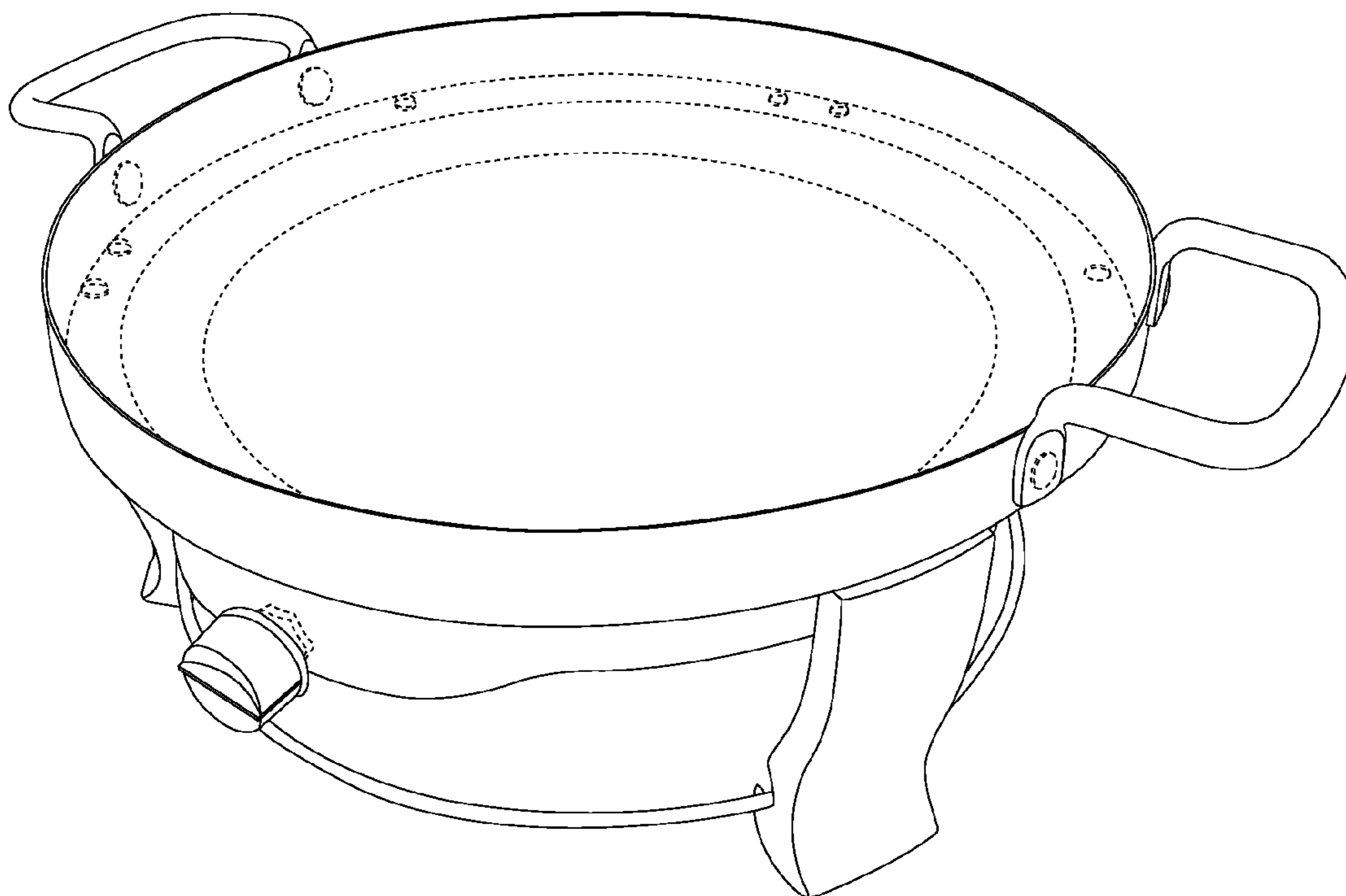


Fig. 12

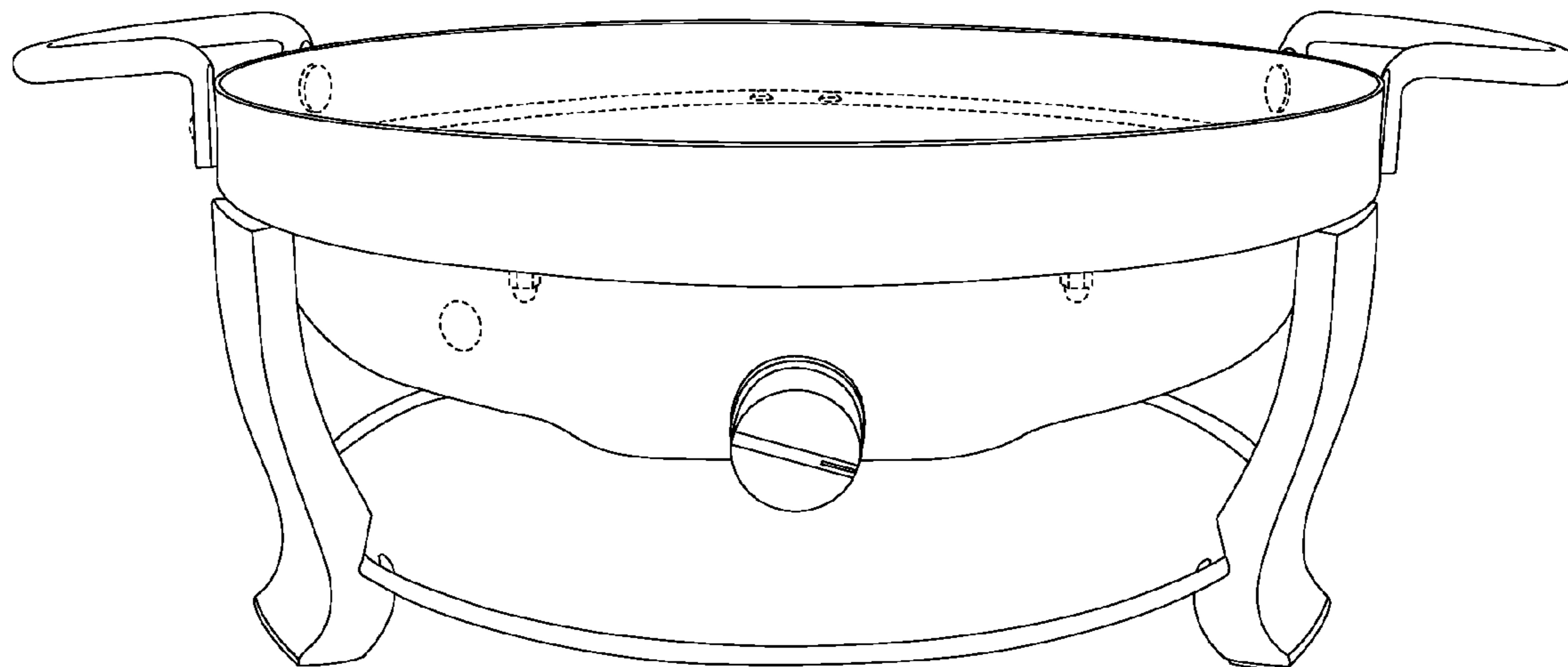


Fig. 13

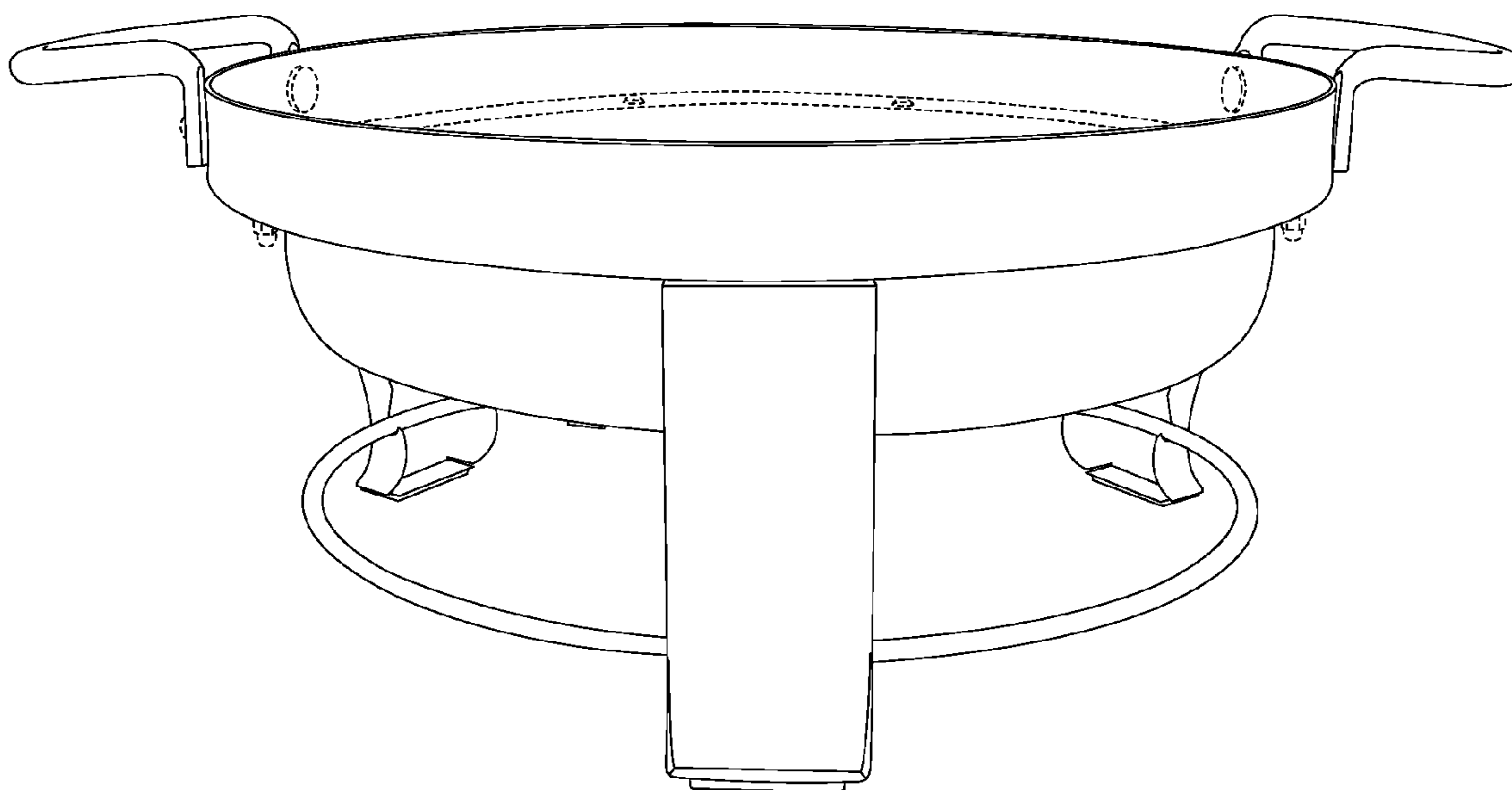


Fig. 14

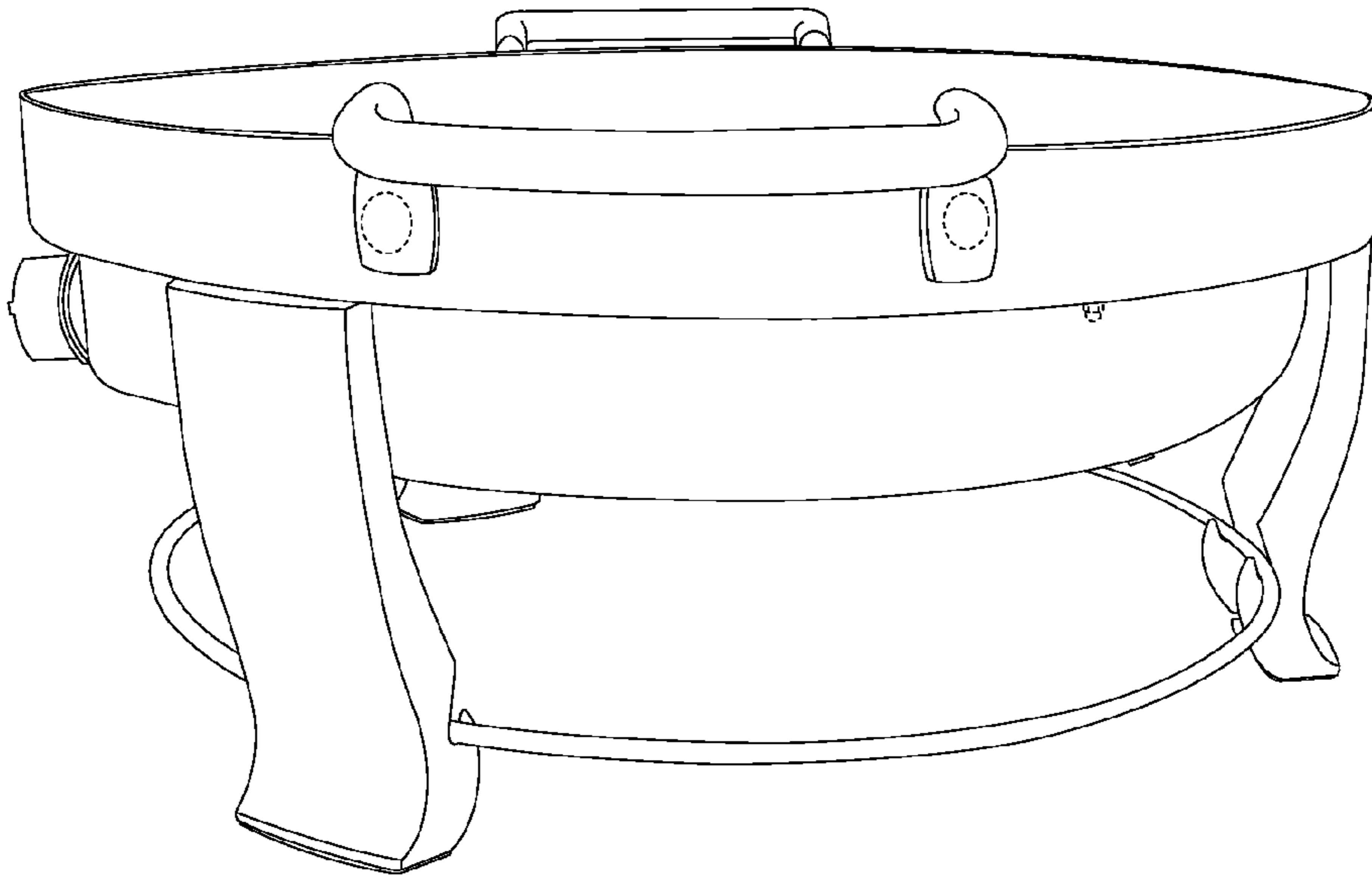


Fig. 15

