



US00D625546S

(12) **United States Design Patent**
Henry et al.

(10) **Patent No.:** **US D625,546 S**
(45) **Date of Patent:** **** Oct. 19, 2010**

(54) **SKULL CAKE PAN**

D589,360 S * 3/2009 Alexander D9/626
D605,541 S * 12/2009 Hu D10/114
D613,450 S * 4/2010 Chaoui D27/165

(75) Inventors: **Lou Henry**, Woodridge, IL (US); **Chris Mellen**, Woodridge, IL (US); **Sarah Mault**, Woodridge, IL (US)

* cited by examiner

(73) Assignee: **Wilton Industries, Inc.**, Woodridge, IL (US)

Primary Examiner—Caron Veynar

Assistant Examiner—Ricky Pham

(74) *Attorney, Agent, or Firm*—McGuireWoods LLP

(**) Term: **14 Years**

(57) **CLAIM**

(21) Appl. No.: **29/350,695**

We claim the ornamental design for a skull cake pan, as shown and described.

(22) Filed: **Nov. 20, 2009**

(51) **LOC (9) Cl.** **07-02**

(52) **U.S. Cl.** **D7/354**

(58) **Field of Classification Search** D7/323,
D7/338, 352–363, 393–395, 396.1, 402, 407–410,
D7/456, 546, 554.1, 584, 688; D9/425–427,
D9/430–435, 452, 626, 760–761, 781; D10/114;
D26/139; D27/165; 99/340, 343, 349, 396,
99/400–402, 422, 425–426, 444–447, 449–450;
126/1 R, 9 A, 9 B, 25 A, 25 R, 39 N, 39 K,
126/41 R, 332, 390.1; 220/377, 573.1–573.3,
220/752–753, 755–759, 912
See application file for complete search history.

DESCRIPTION

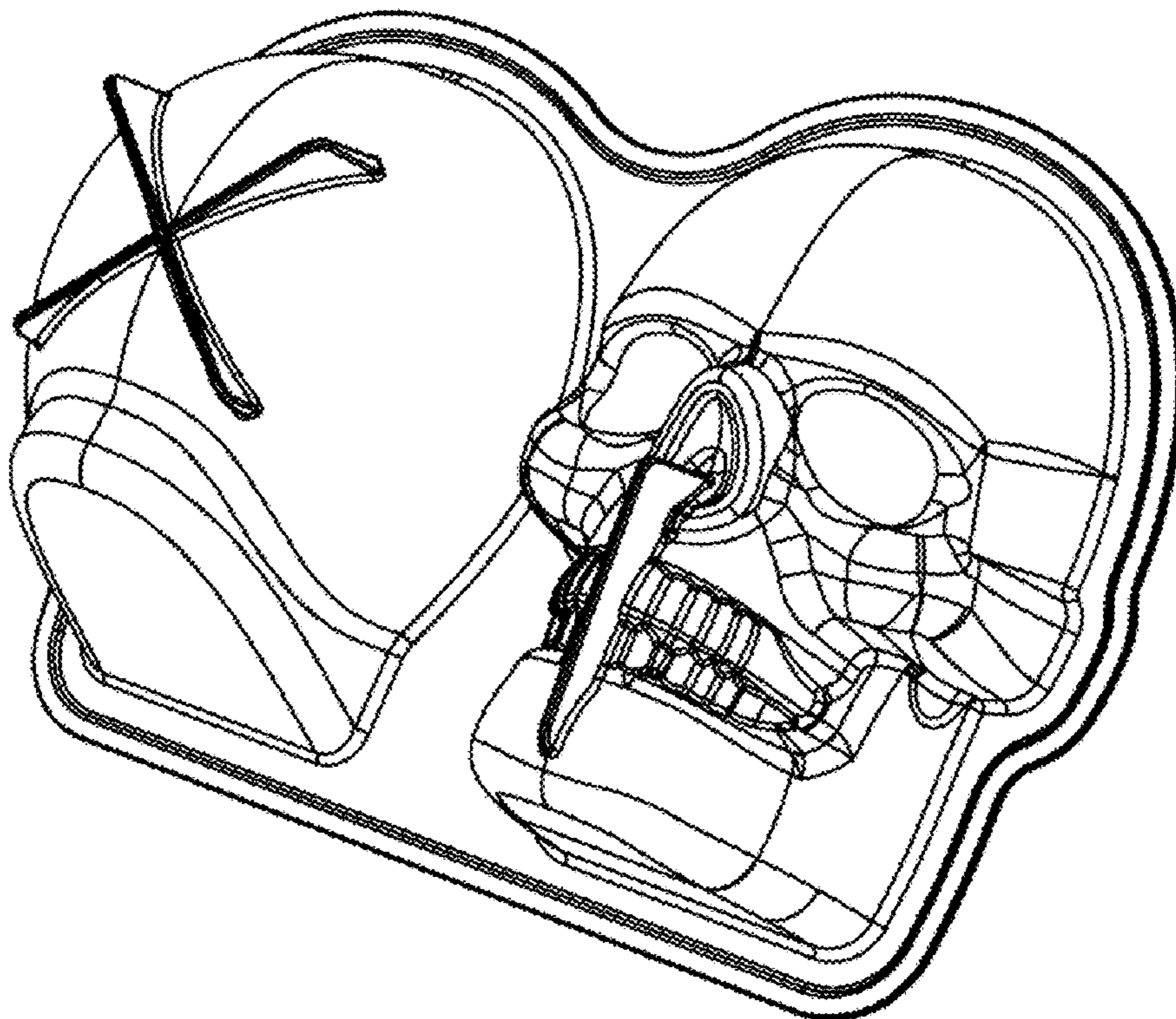
FIG. 1 is a perspective bottom view of the skull cake pan;
FIG. 2 is a bottom view of the design embodiment shown in FIG. 1;
FIG. 3 is a top view of the design embodiment shown in FIG. 1;
FIG. 4 is a right side view of the design embodiment shown in FIG. 1;
FIG. 5 is a left side view of the design embodiment shown in FIG. 1; and,
FIG. 6 is a front side view of the design embodiment shown in FIG. 1.

(56) **References Cited**

U.S. PATENT DOCUMENTS

D552,294 S * 10/2007 Lin D26/139

1 Claim, 6 Drawing Sheets



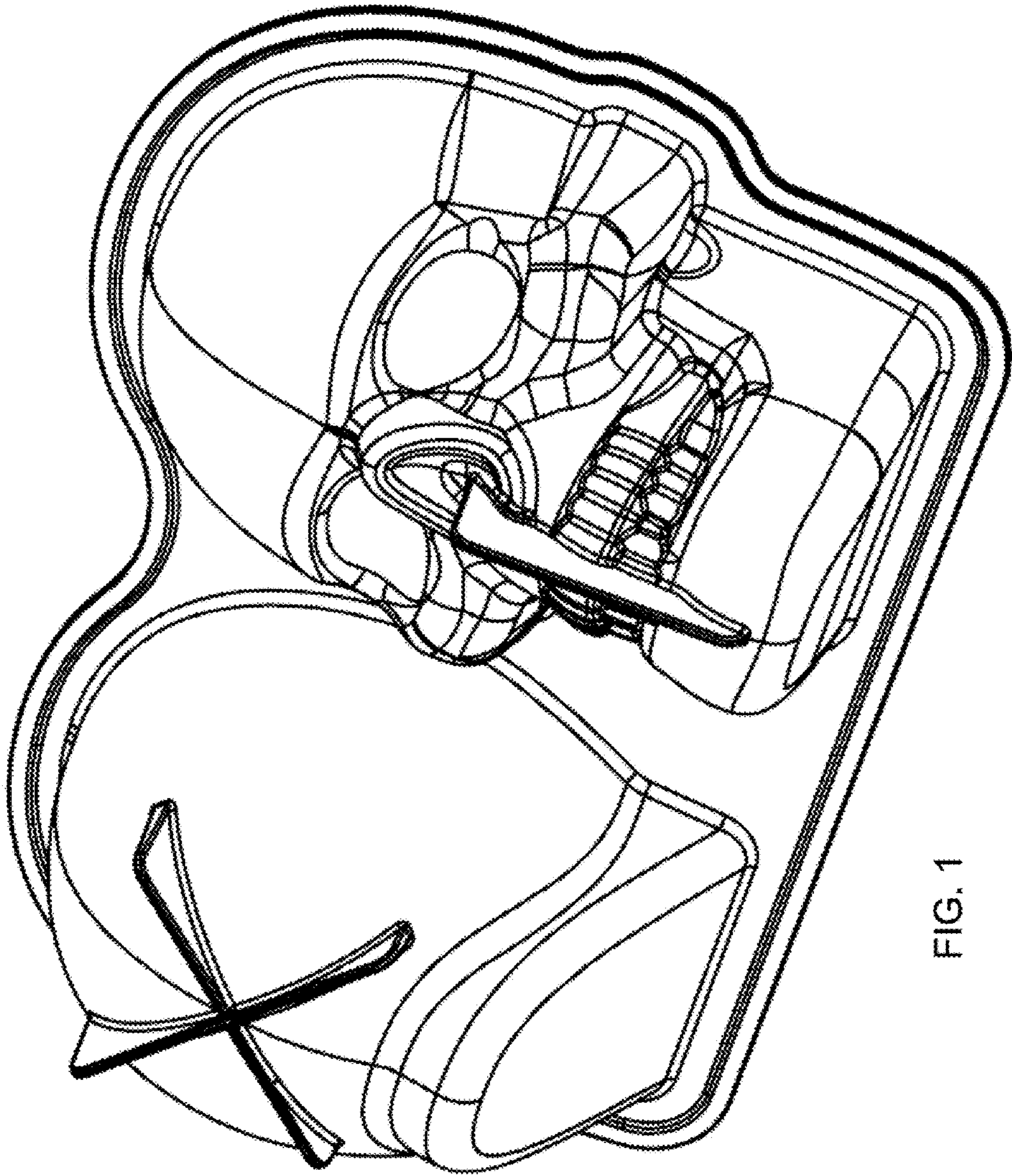


FIG. 1

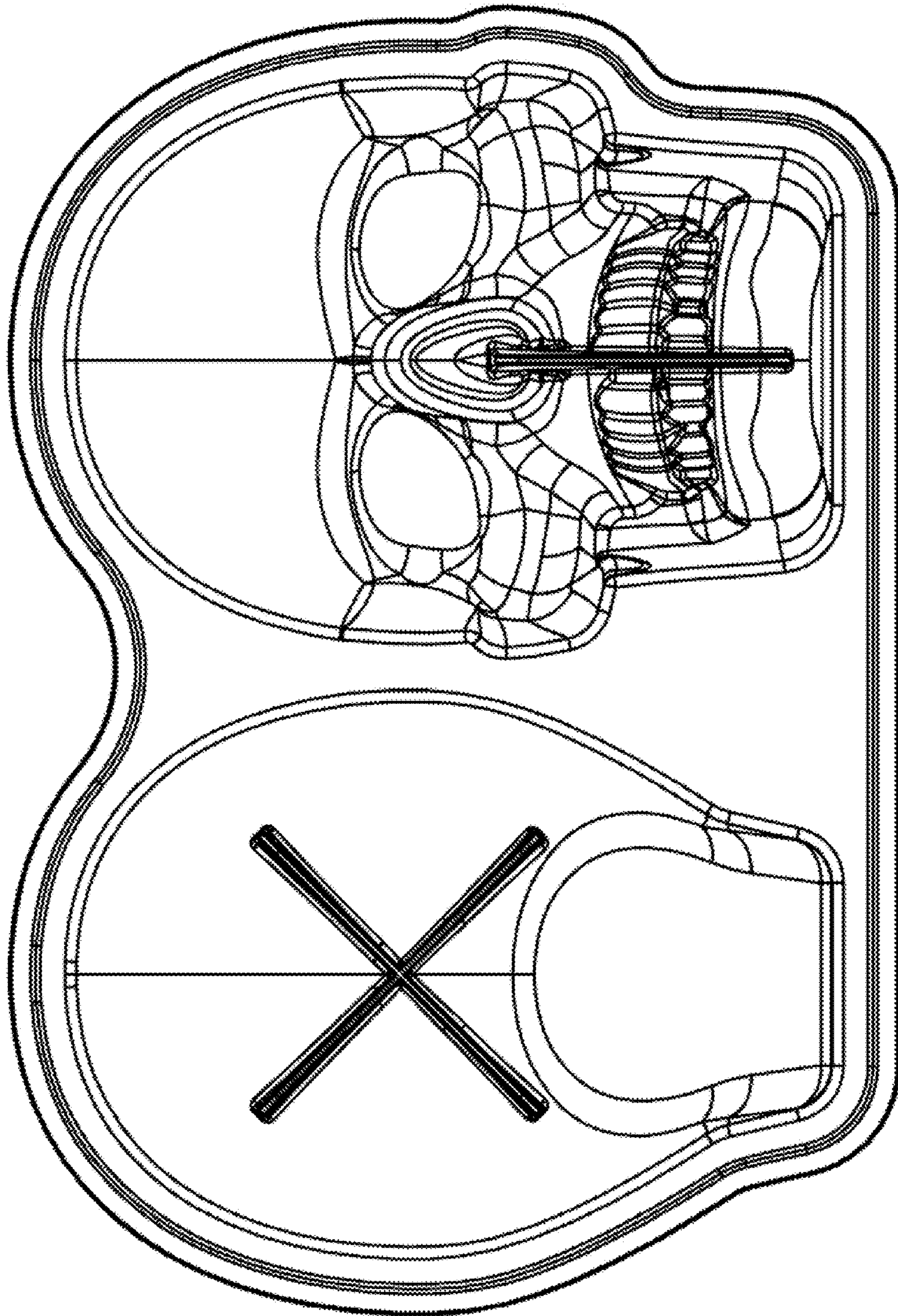


FIG. 2

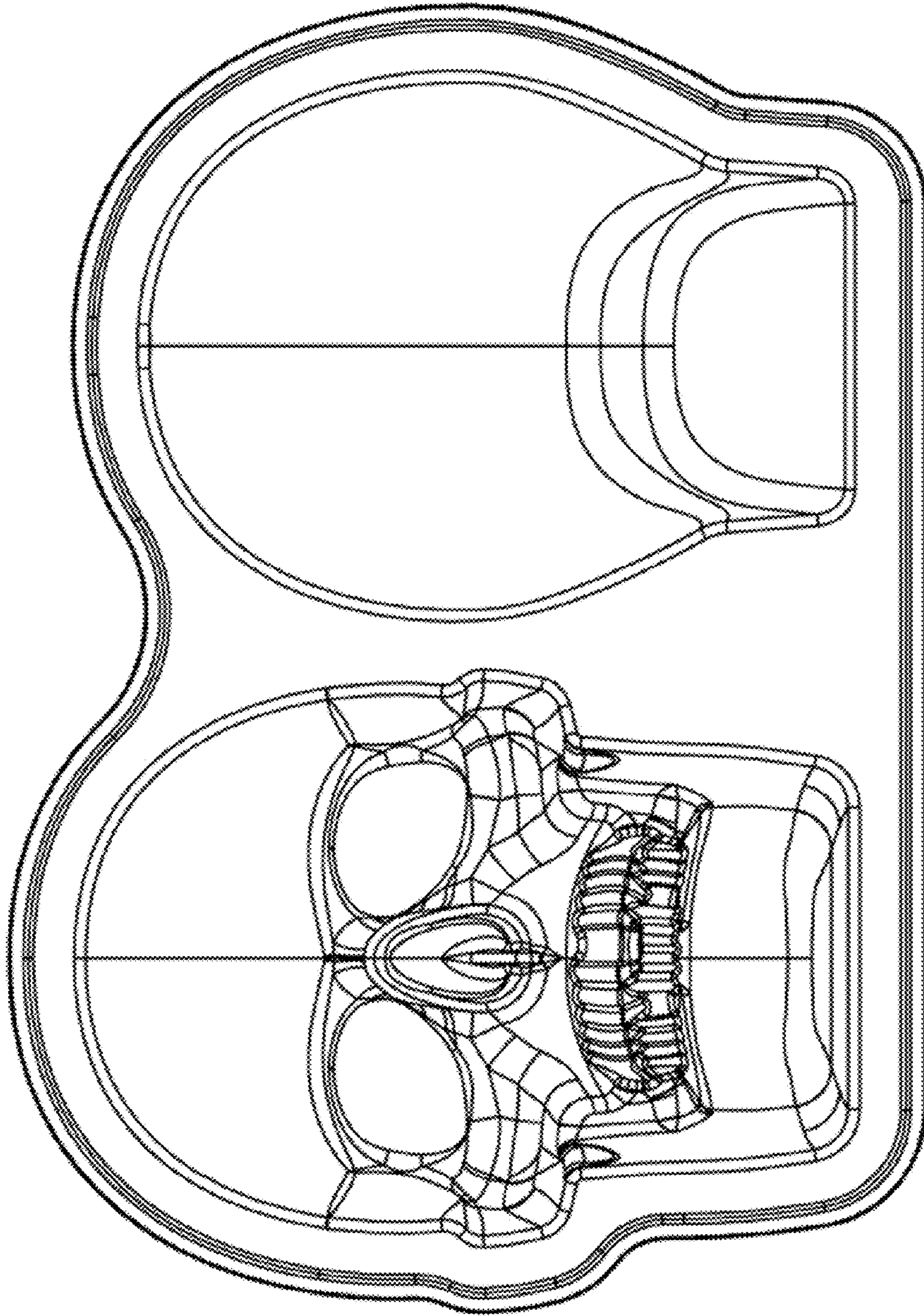


FIG. 3

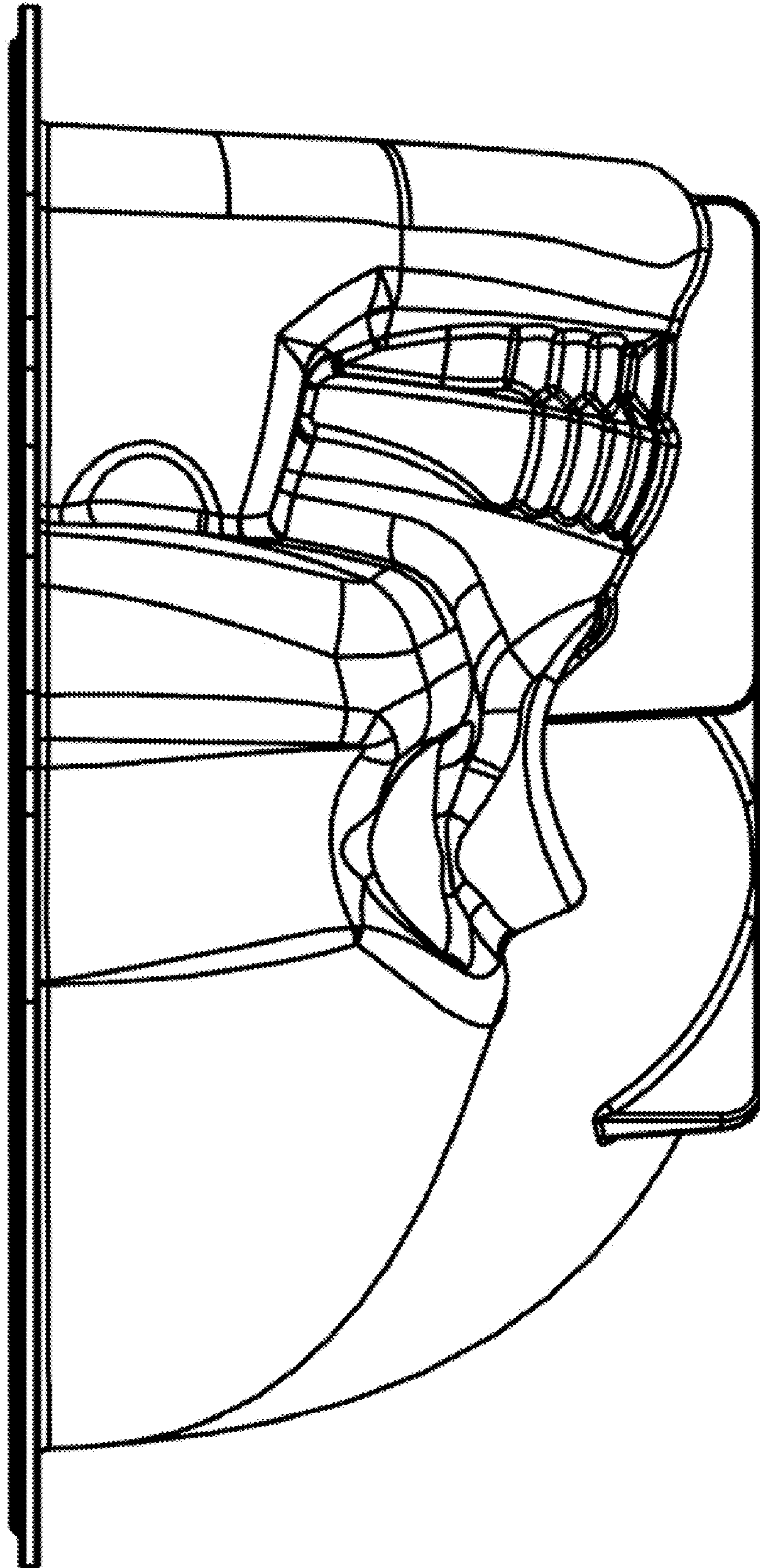


FIG. 4

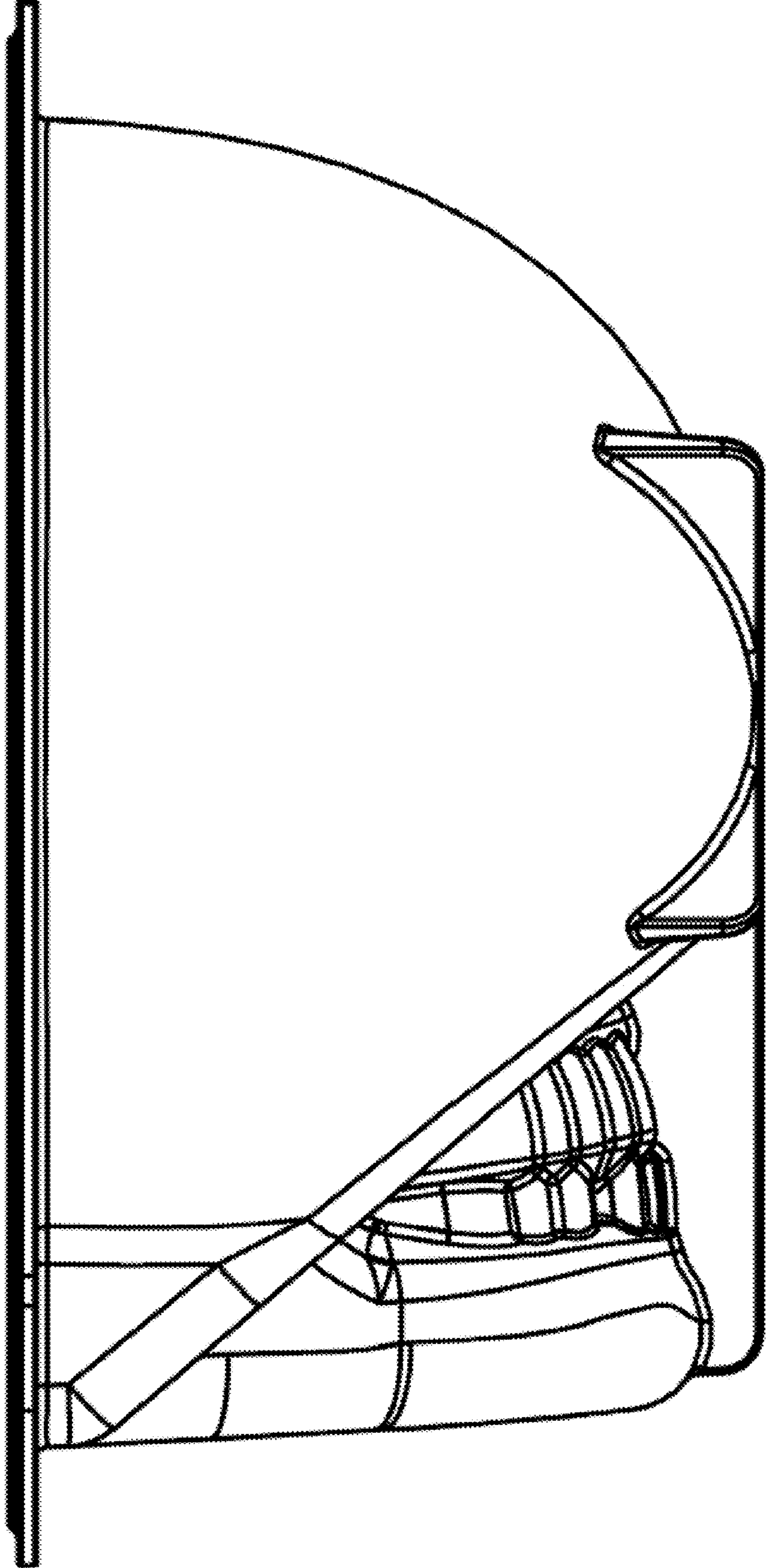


FIG. 5

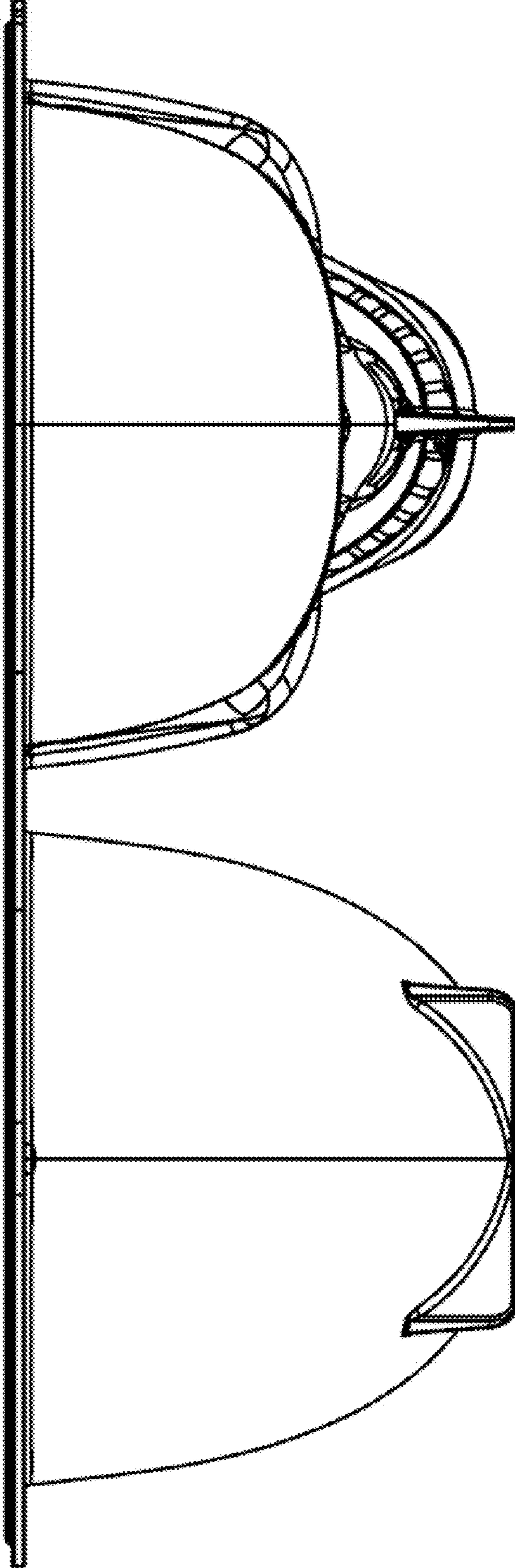


FIG. 6