



US00D625545S

(12) **United States Design Patent**
McLemore et al.

(10) **Patent No.:** **US D625,545 S**
(45) **Date of Patent:** **** Oct. 19, 2010**

(54) **COOKING APPARATUS**

D474,937 S * 5/2003 Josancy D7/354

(75) Inventors: **Don McLemore**, Fortson, GA (US);
John D. McLemore, Forston, GA (US);
Adam Carter, Auburn, AL (US); **James R. Carden**, Columbus, GA (US)

(Continued)

FOREIGN PATENT DOCUMENTS

DE 31 43 863 A1 5/1983

(Continued)

(73) Assignee: **Masterbuilt Manufacturing, Inc.**,
Columbus, GA (US)

OTHER PUBLICATIONS

(**) Term: **14 Years**

(21) Appl. No.: **29/345,084**

Krups—Fryer * Friteuse * Freidora, pulled from internet at www.krups.com, Assumed Date is Jun. 2002 from '06-02" code on front cover.

(22) Filed: **Oct. 9, 2009**

(Continued)

Related U.S. Application Data

(63) Continuation of application No. 12/571,492, filed on Oct. 1, 2009.

Primary Examiner—Caron Veynar

Assistant Examiner—Ricky Pham

(74) *Attorney, Agent, or Firm*—Smith, Gambrell & Russell, LLP

(51) **LOC (9) Cl.** **07-02**

(52) **U.S. Cl.** **D7/354**

(58) **Field of Classification Search** D7/323,
D7/330–331, 339, 347, 350–367, 378–381,
D7/383–384, 391–395, 542–545, 560; 99/324–325,
99/329 R, 330–339, 400, 412–413, 425;
219/432–433, 438–441, 620–622, 725–730;
220/203.1, 203.07, 203.09, 298, 303, 316,
220/356.1, 573.1–574, 769; 426/438, 441
See application file for complete search history.

(57)

CLAIM

The ornamental design for a cooking apparatus, as shown and described.

DESCRIPTION

FIG. 1 is a front, left side perspective view of a cooking apparatus of the present invention;

FIG. 2 is a front, right side perspective view thereof;

FIG. 3 is a front elevational view thereof;

FIG. 4 is a rear elevational view thereof;

FIG. 5 is a right side elevational view thereof;

FIG. 6 is a left side elevational view thereof;

FIG. 7 is a top plan view thereof; and,

FIG. 8 is a bottom plan view thereof.

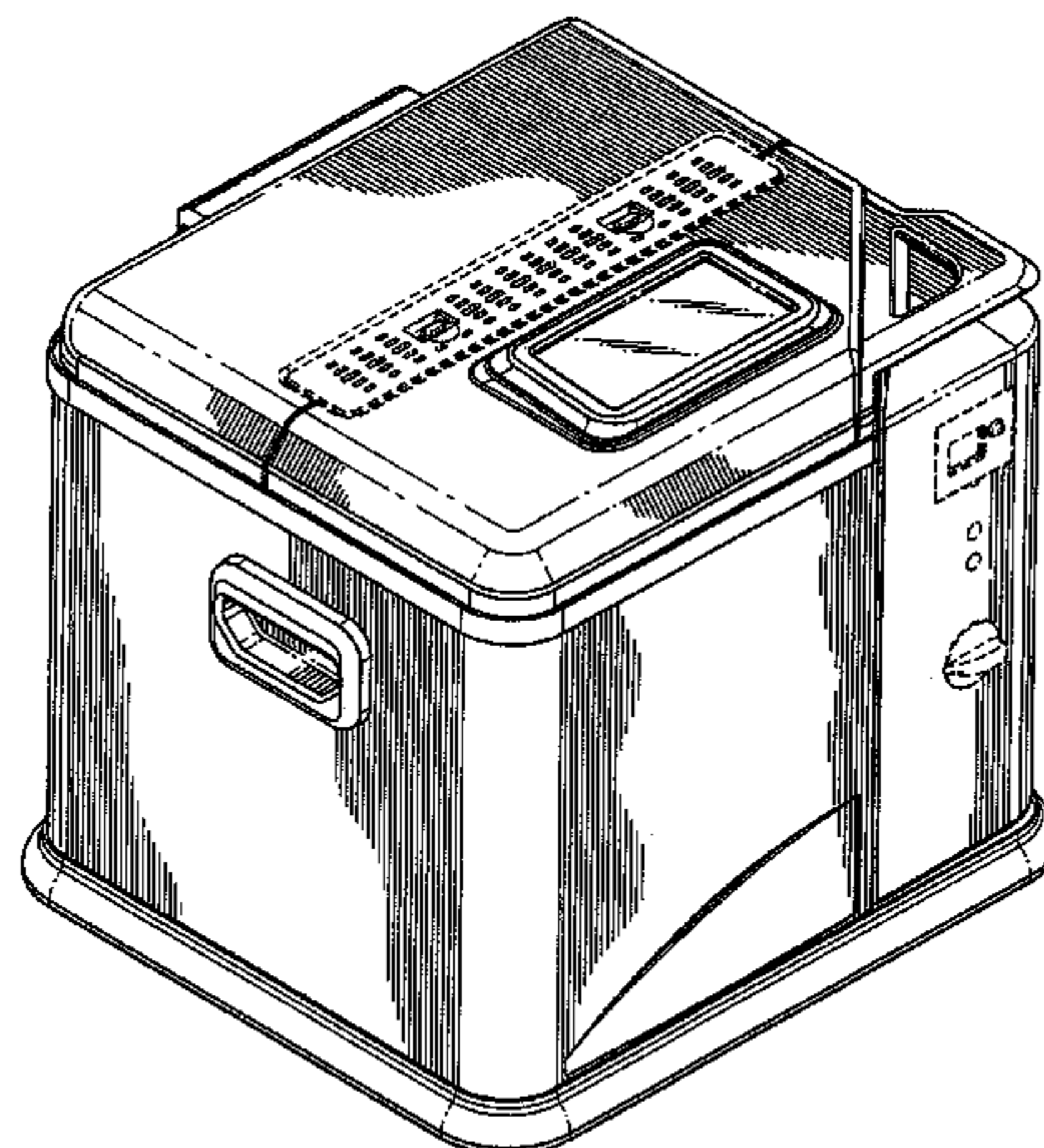
The broken lines shown in the drawings are for illustrative purposes only and form no part of the claimed design.

(56) **References Cited**

U.S. PATENT DOCUMENTS

2,215,929 A	10/1939	Husk	
D305,971 S *	2/1990	Janssens	D7/360
D314,306 S *	2/1991	Slany et al.	D7/360
D358,528 S *	5/1995	Hyun	D7/350.2
D364,310 S *	11/1995	Cesaroni et al.	D7/350.2
D365,723 S	1/1996	Powell	
D394,780 S *	6/1998	Jung	D7/350.2
6,002,111 A	12/1999	Beugnot et al.	
6,006,658 A	12/1999	Siu	
D424,366 S	5/2000	Blaise	
6,138,552 A	10/2000	Baillieul et al.	

1 Claim, 8 Drawing Sheets



U.S. PATENT DOCUMENTS

D522,799 S * 6/2006 Kassenaar D7/350.2
D528,853 S * 9/2006 Lloyd D7/354
D542,095 S * 5/2007 Orent et al. D7/560
D582,719 S * 12/2008 Kaposi D7/381
D588,860 S * 3/2009 Tienor et al. D7/354
D604,093 S * 11/2009 Moussu D7/360
D606,800 S * 12/2009 Bodum D7/354

FOREIGN PATENT DOCUMENTS

EP 0 432 370 A1 6/1991

OTHER PUBLICATIONS

T-FAL US—Magiclean “T-FAL”, pulled from internet at . . . /index.
asp?category%5Fid=200&dept%5Fid=210&sku=U00210
&mscssid=W8V8LA5D9U0 on Mar. 24, 2003, one page.
U.S. Appl. No. 12/571,492, filed Oct. 1, 2009.

DeLonghi America Inc.—Company Profile, Research, News, Information, Contact., pulled from the internet at <http://goliath.ecnext.com/coms2/product-compint-0000232441-page.html> on Feb. 1, 2005 (1 page).

Chef's® The Best Kitchens Start Here, pulled from the internet at <http://www.chefscatalog.com/store/catalog/catB9a.jhtml?itemId=cat000038&p..> on Feb. 1, 2005 (1 page).

DeLonghi DeLonghi Dual Zone Deep Fryer at sears.com, pulled from the internet at <http://www.sears.com/sr/javasr/product.do?vertical=GIFT&pid=08035042000..> on Feb. 1, 2005 (1 page).

Dual Zone Deep Fryer (3.0 lb. Capacity: Model D455DZ), pulled from the internet at <http://www.delonghi.com/delonghi/data/int/usa/Prodotti.nsf/b912ead30a9700c..> on Feb. 1, 2005, (2 pages).

Chef's Dual-Zone Digital Fryer, pulled from the internet at <http://www.chefscatalog.com/store/catalog/prod.jhtml?itemId=cprod6770003&..> on Feb. 1, 2005 (1 page).

DeLonghi D882UX Cool Touch Roto Deep Fryer Review at Epinions.com, pulled from the internet at http://www.epinions.com/content_95457218180 on Feb. 1, 2005 (3 pages).

* cited by examiner

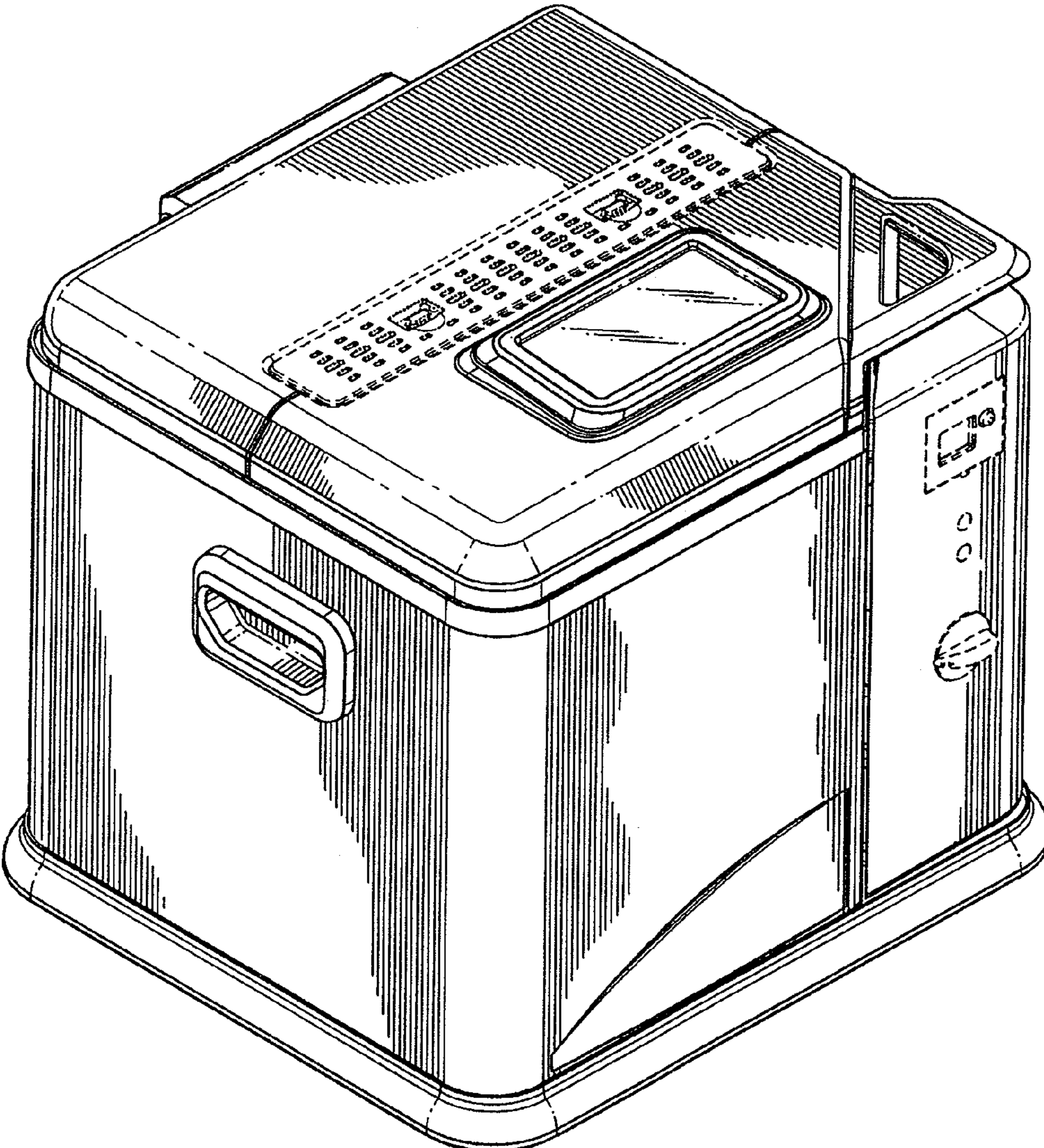


FIG. 1

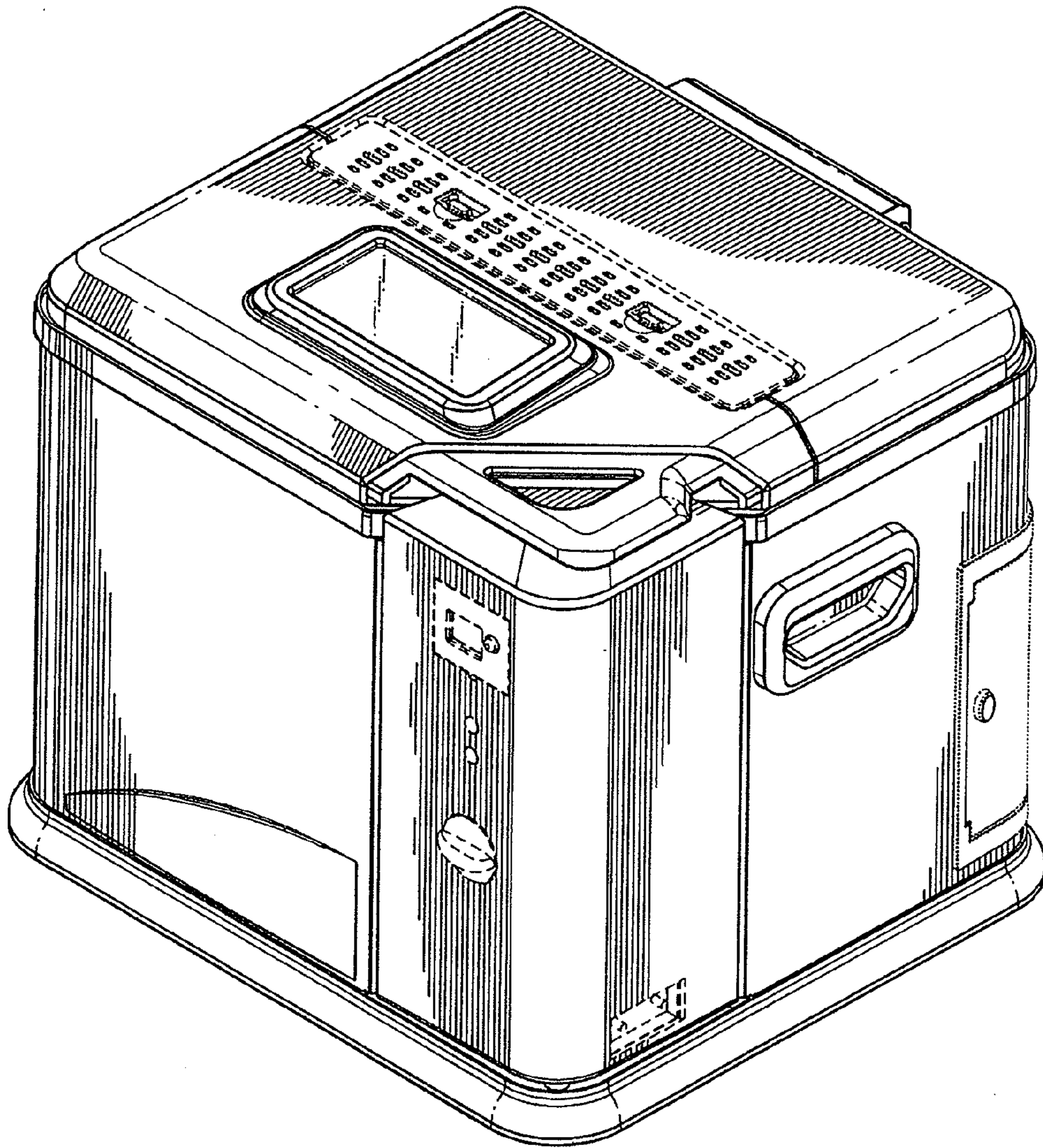


FIG. 2

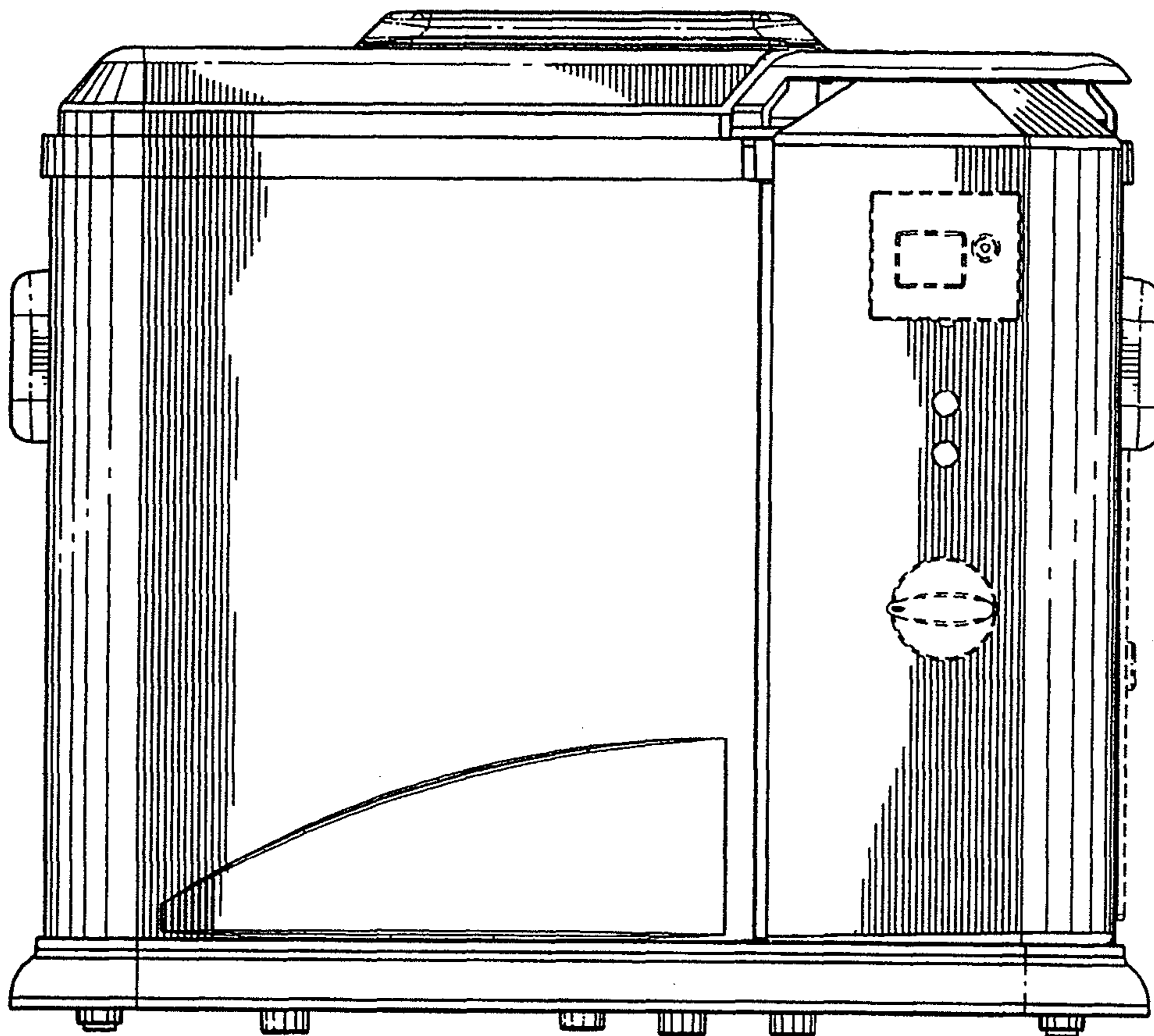


FIG. 3

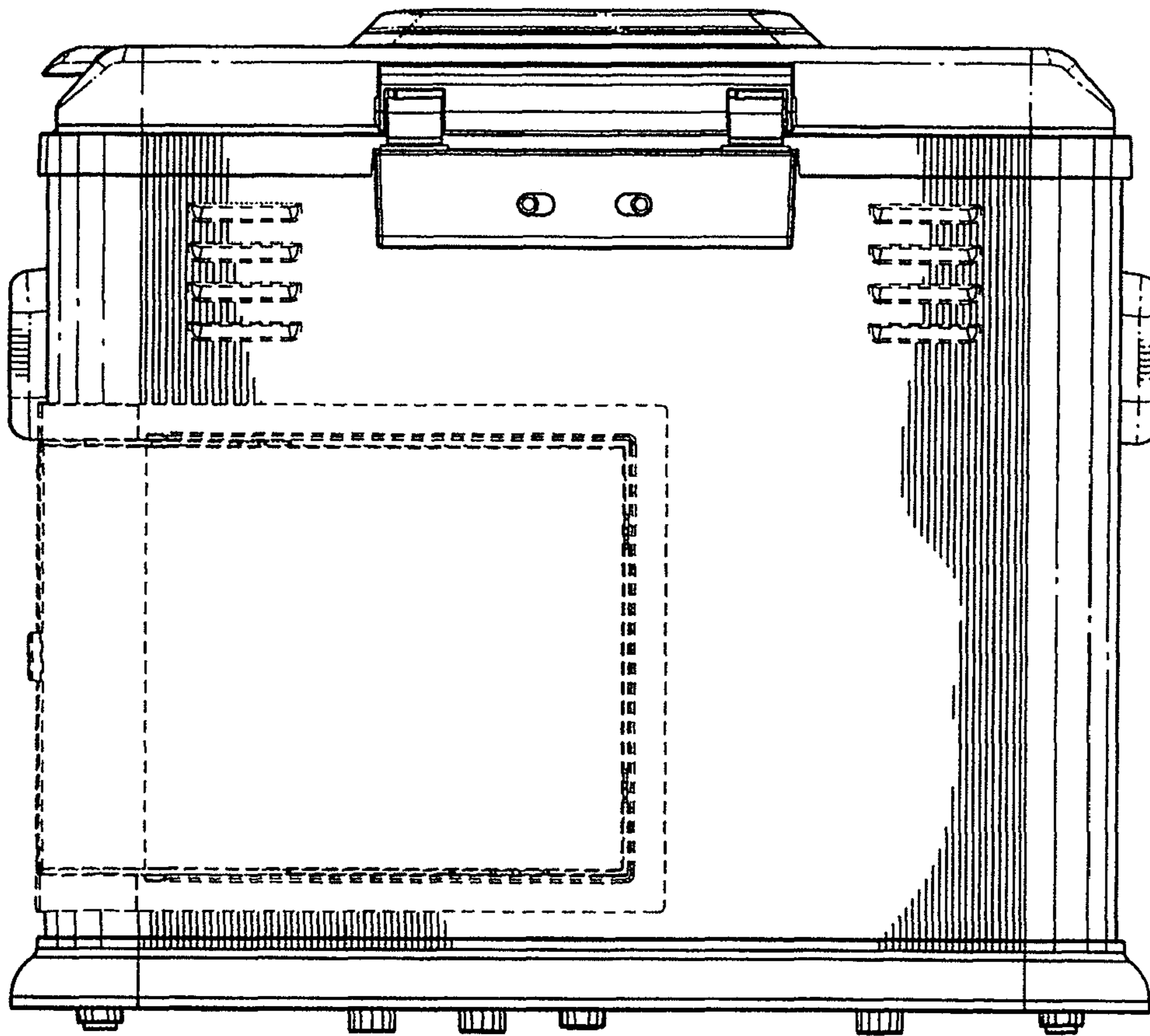


FIG.4

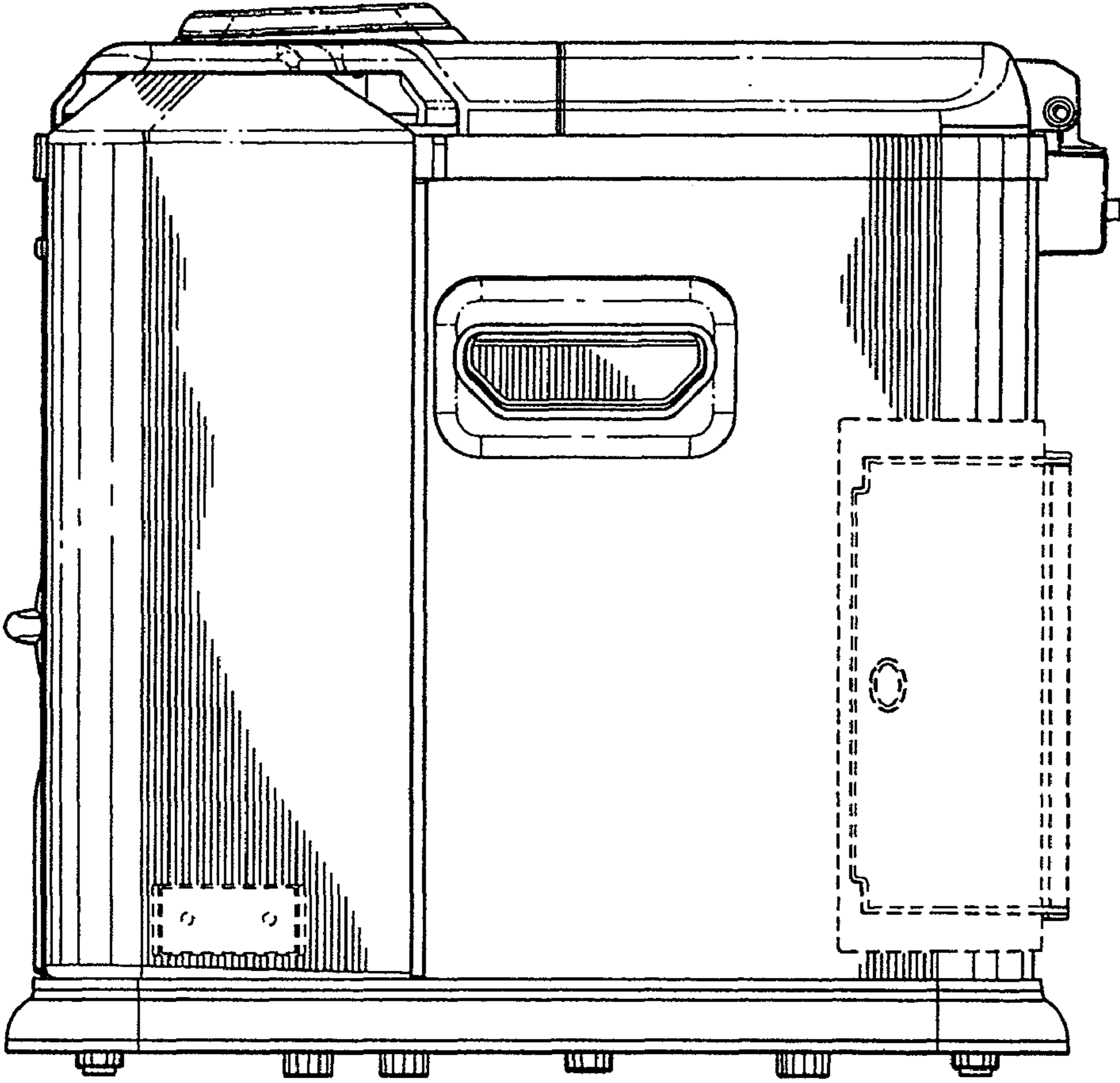


FIG.5

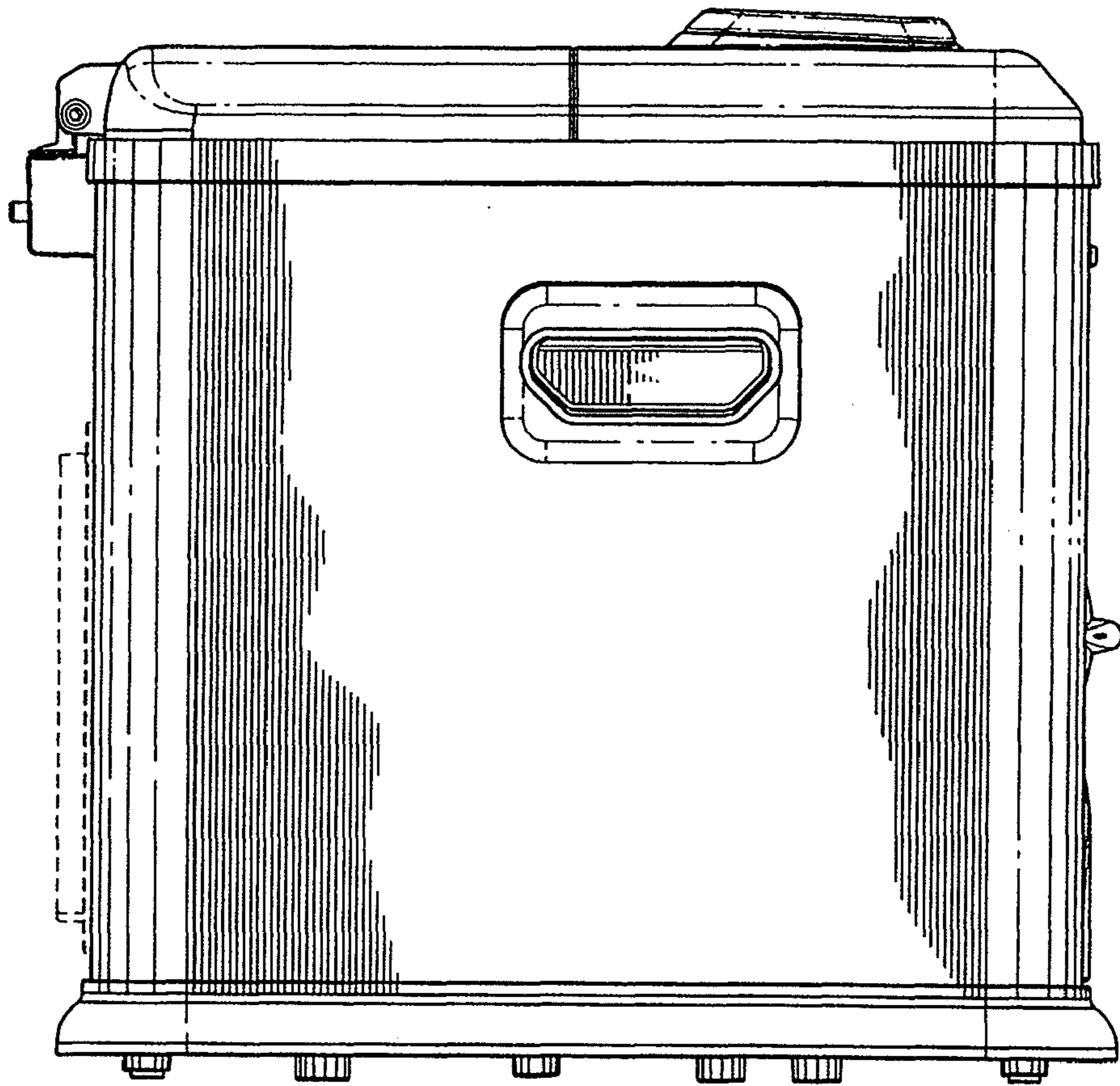


FIG.6

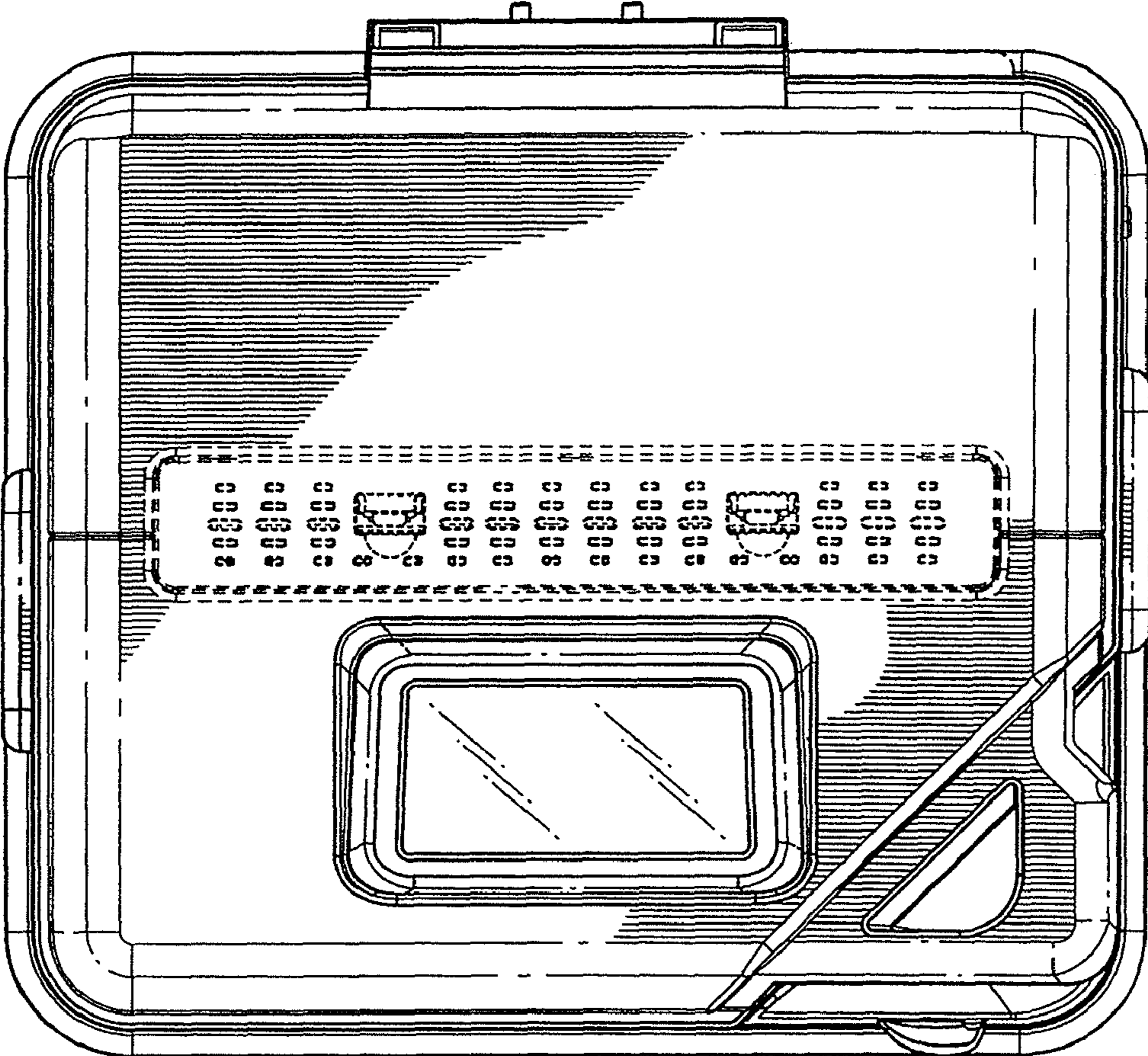


FIG. 7

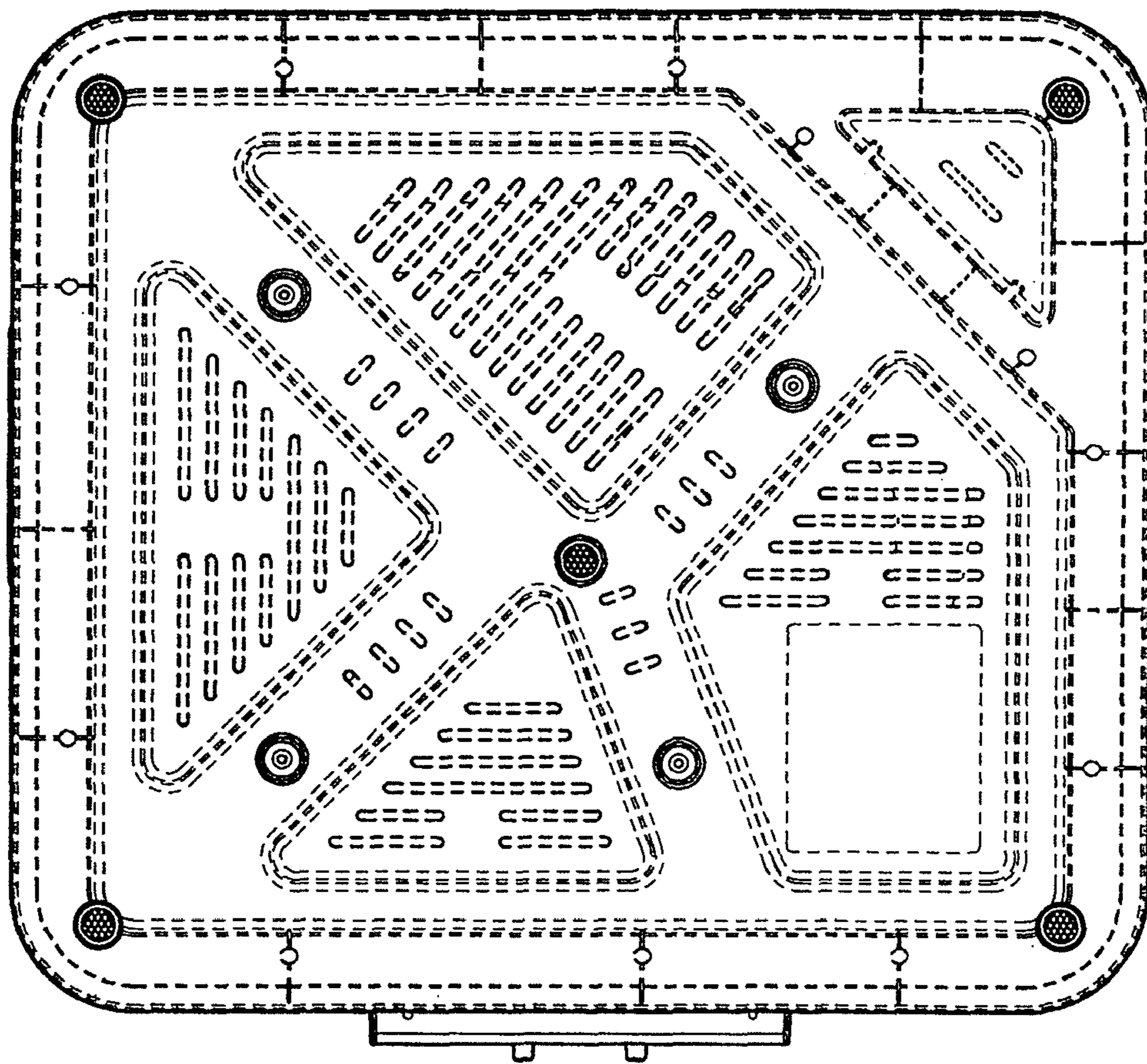


FIG. 8