

US00D625544S

(12) **United States Design Patent**
Radicke

(10) **Patent No.:** **US D625,544 S**
(45) **Date of Patent:** **** Oct. 19, 2010**

(54) **ONE BURNER COOKER**

(76) Inventor: **Holden Radicke**, 1149 Pearsall Rd.,
Uvalde, TX (US) 78801

(**) Term: **14 Years**

(21) Appl. No.: **29/348,244**

(22) Filed: **Dec. 14, 2009**

(51) **LOC (9) Cl.** **15-05**

(52) **U.S. Cl.** **D7/334**

(58) **Field of Classification Search** D7/332,
D7/334-336, 402-404, 408; 126/25 R, 25 A,
126/25 AA, 41 R, 29-30, 9 R, 9 B, 38, 37 R,
126/40, 50; 99/359, 344, 446-449, 473,
99/481-482, 419, 421 HV, 421 R, 421 H
See application file for complete search history.

(56) **References Cited**

U.S. PATENT DOCUMENTS

D142,866 S *	11/1945	Johannsen	D7/334
D179,468 S *	1/1957	Berliner	D7/334
D215,250 S	9/1969	McClaren		
D229,661 S *	12/1973	Lambertson	D7/334
4,582,046 A	4/1986	Yamada		
4,607,613 A	8/1986	Toldi		
4,635,614 A	1/1987	Segroves		
D298,793 S *	12/1988	Ragon	D7/332
5,027,788 A *	7/1991	Schlosser et al.	126/25 R
D327,390 S *	6/1992	Schlosser et al.	D7/334
5,158,067 A	10/1992	Dutro		
D380,933 S *	7/1997	Schlosser et al.	D7/334
D381,240 S *	7/1997	Home	D7/334
5,819,719 A	10/1998	Vidal		

D423,274 S *	4/2000	Coleman et al.	D7/334
D449,491 S *	10/2001	Measom	D7/334
D450,524 S *	11/2001	Measom	D7/332
D462,562 S *	9/2002	Wood	D7/332
D463,195 S	9/2002	Jimenez		
D468,149 S *	1/2003	Surles	D7/334
D496,820 S *	10/2004	Wilder	D7/334
D570,151 S *	6/2008	Brunner	D7/334
D570,641 S *	6/2008	Brunner	D7/334
2008/0190408 A1	8/2008	Hsu		

* cited by examiner

Primary Examiner—Ruth McInroy

(74) *Attorney, Agent, or Firm*—Patrick J. Glynn

(57) **CLAIM**

I claim the ornamental design for a one burner cooker, as shown and described.

DESCRIPTION

FIG. 1 is a front and left-side perspective view of a one burner cooker showing my new design;

FIG. 2 is a rear and left-side perspective view thereof;

FIG. 3 is an exploded perspective view thereof;

FIG. 4 is a top plan view thereof;

FIG. 5 is a front elevational view thereof;

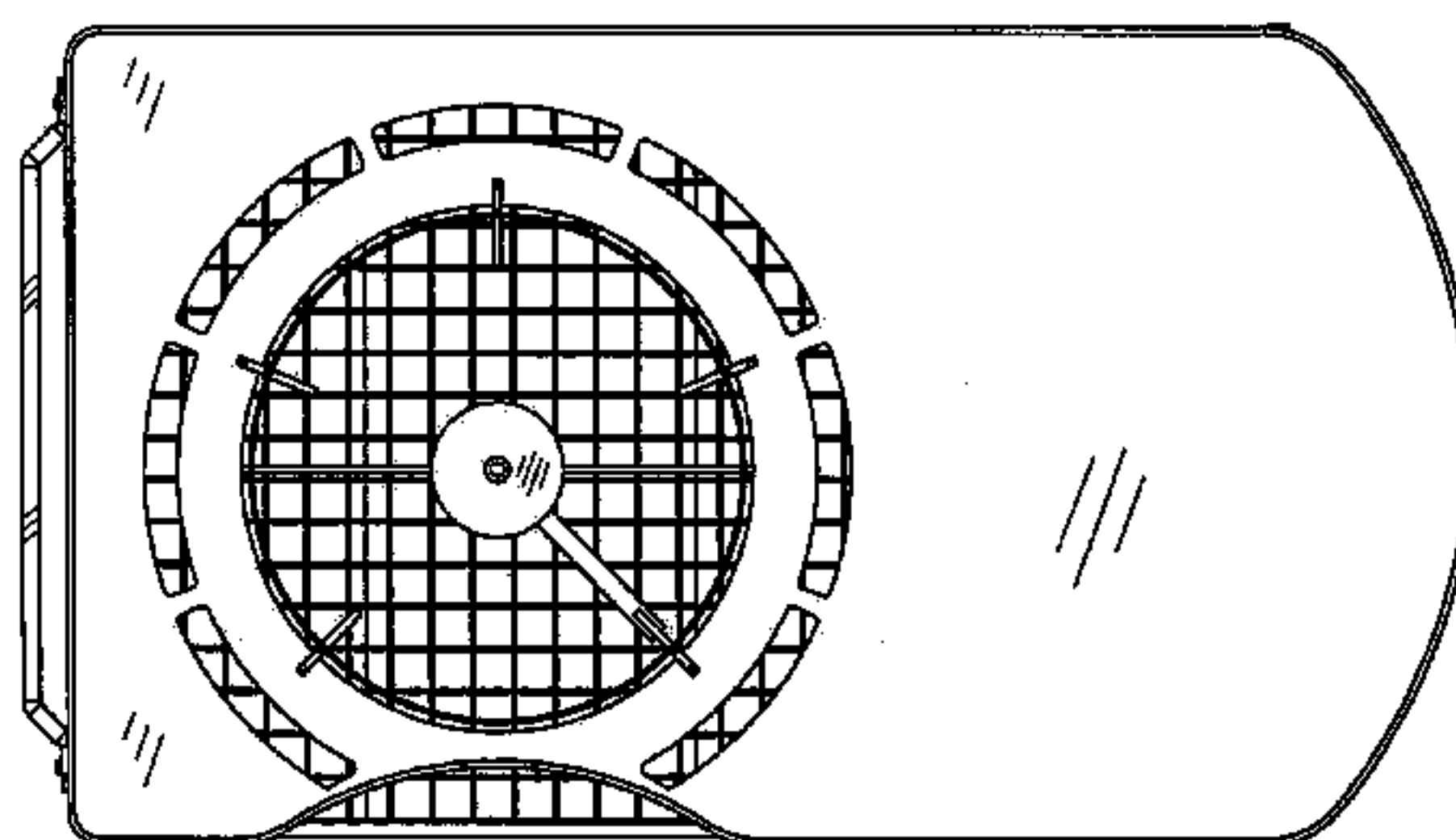
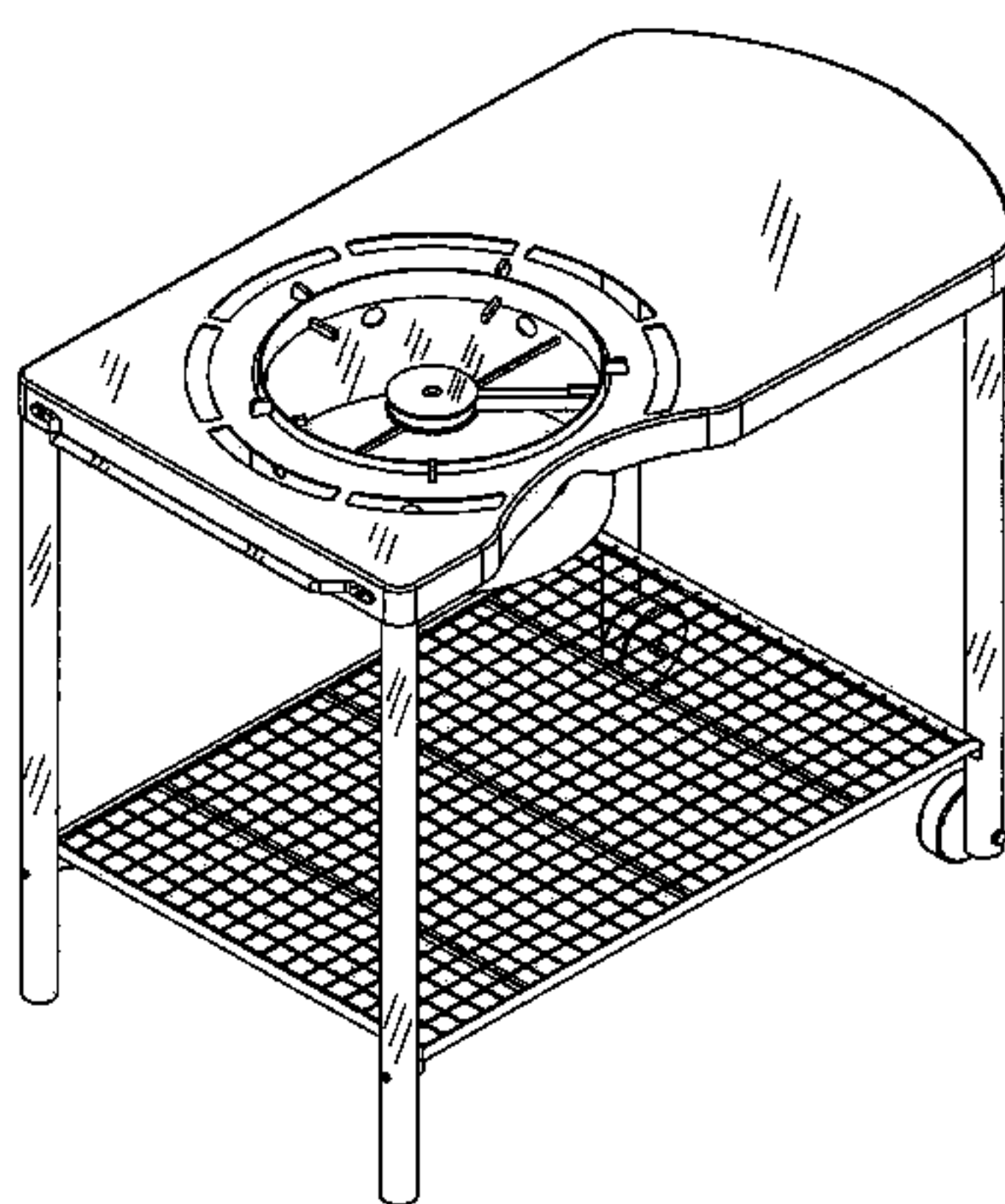
FIG. 6 is a rear elevational view thereof;

FIG. 7 is a left side elevational view thereof; and,

FIG. 8 is a right side elevational view thereof.

One burner cooker for indoor and outdoor cooking.

1 Claim, 8 Drawing Sheets



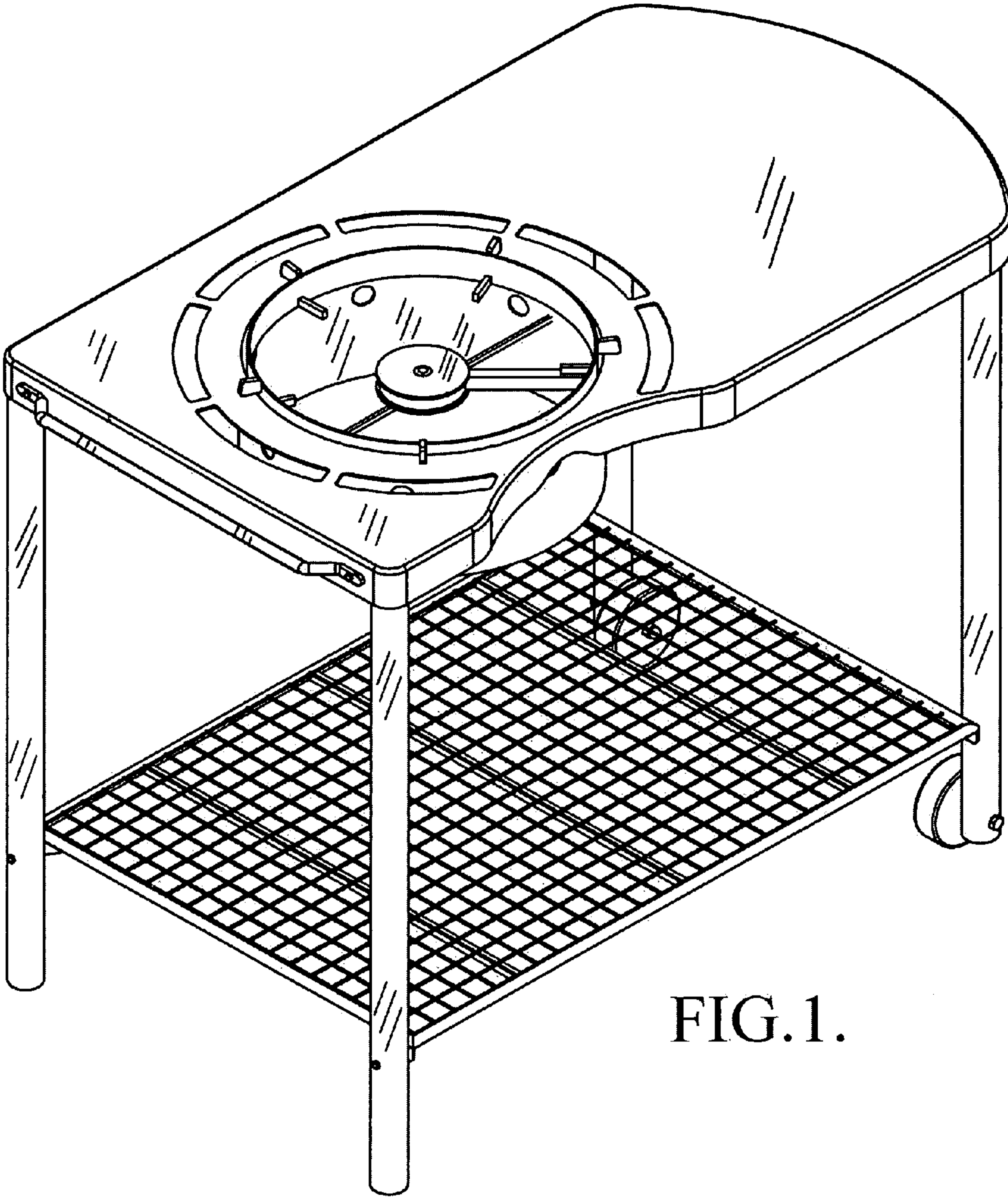


FIG.1.

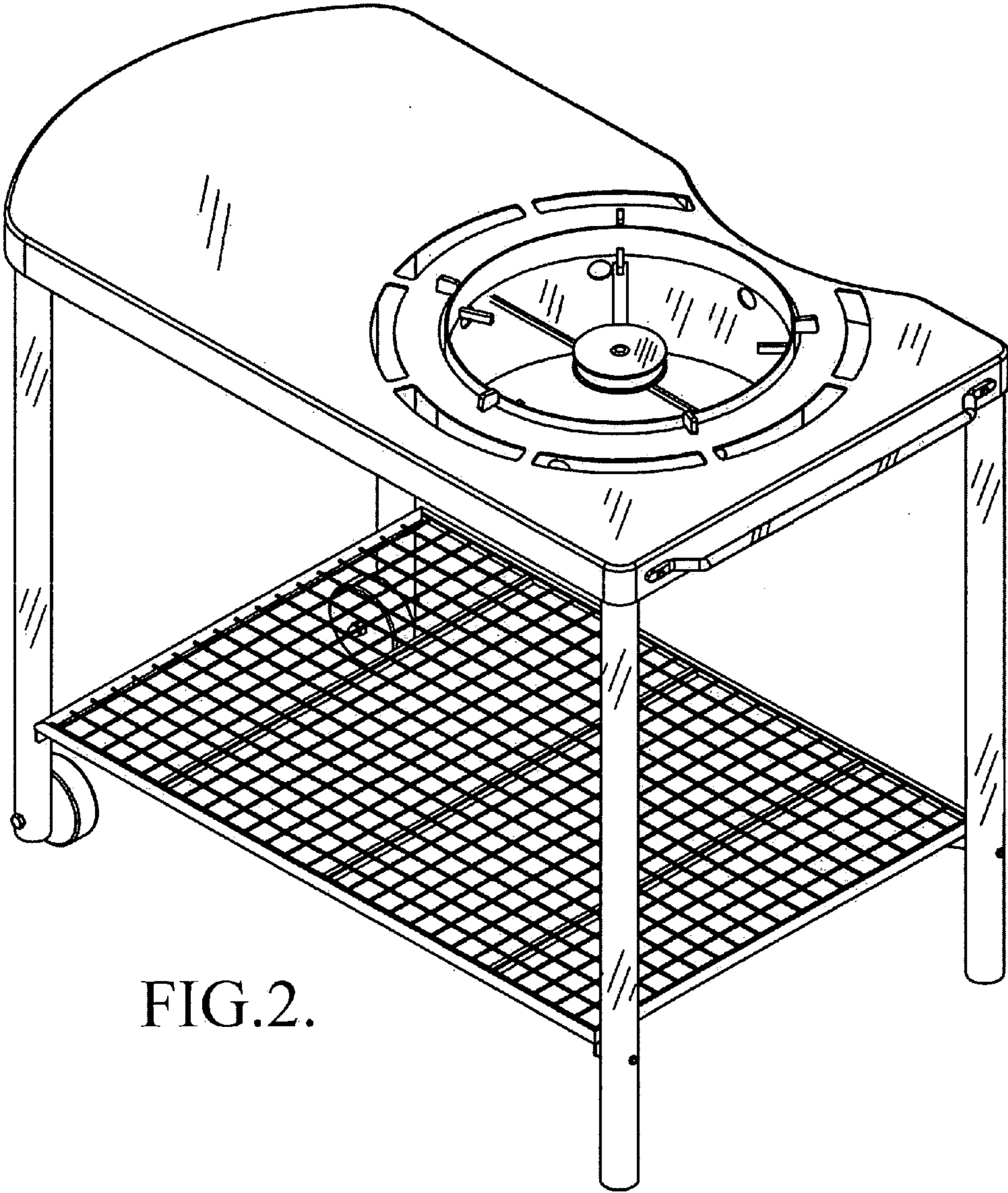


FIG.2.

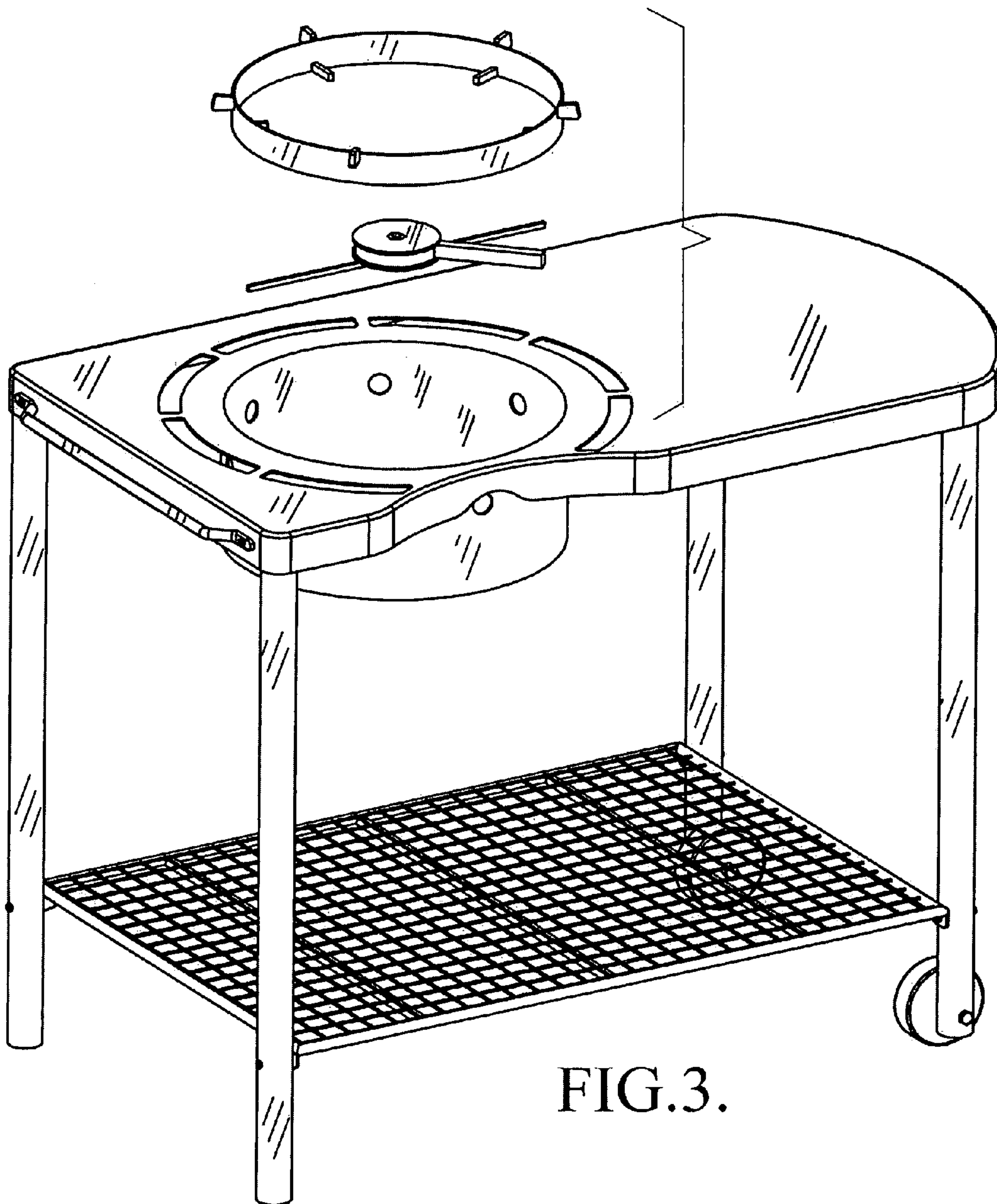


FIG.3.

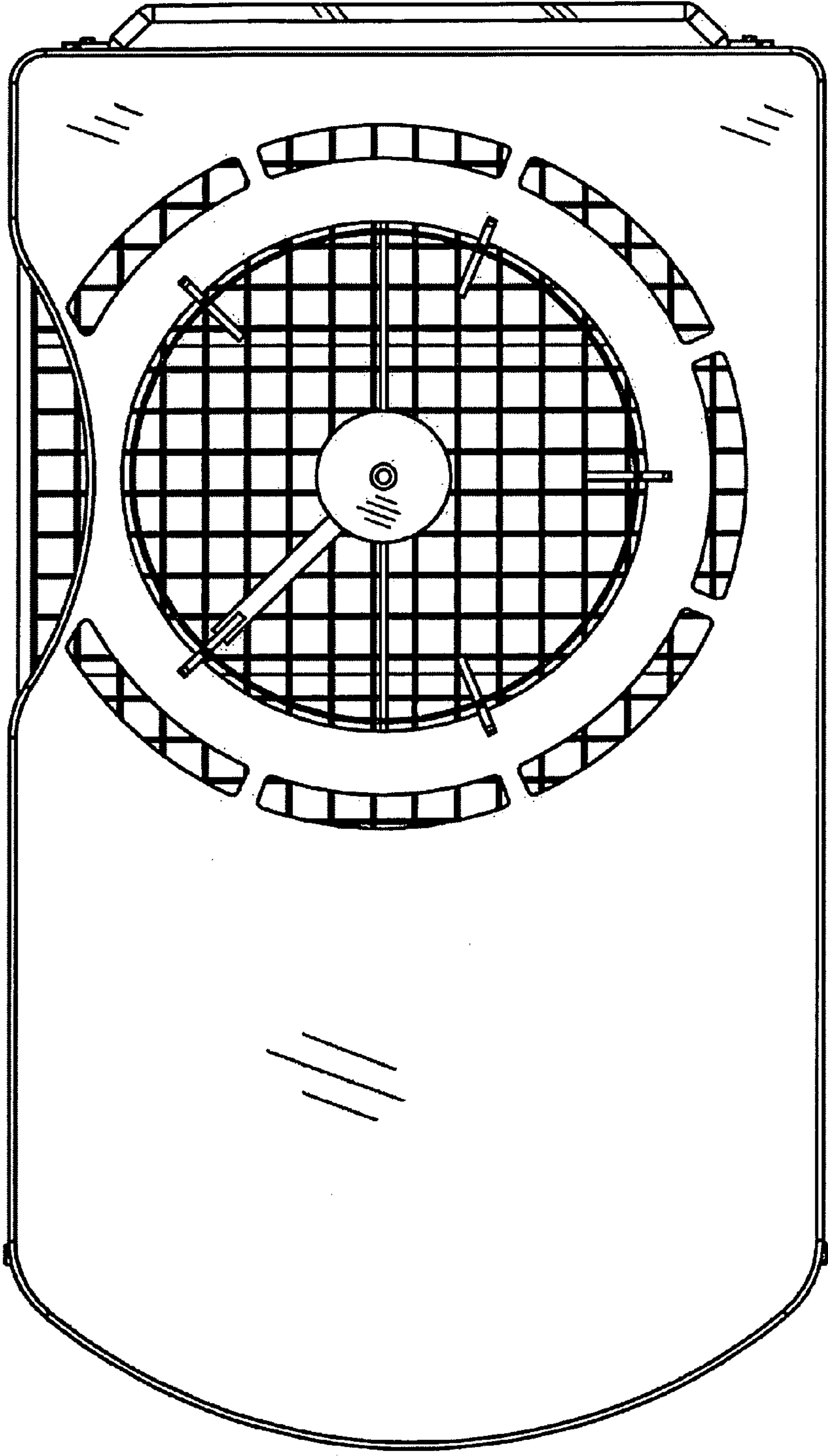


FIG.4.

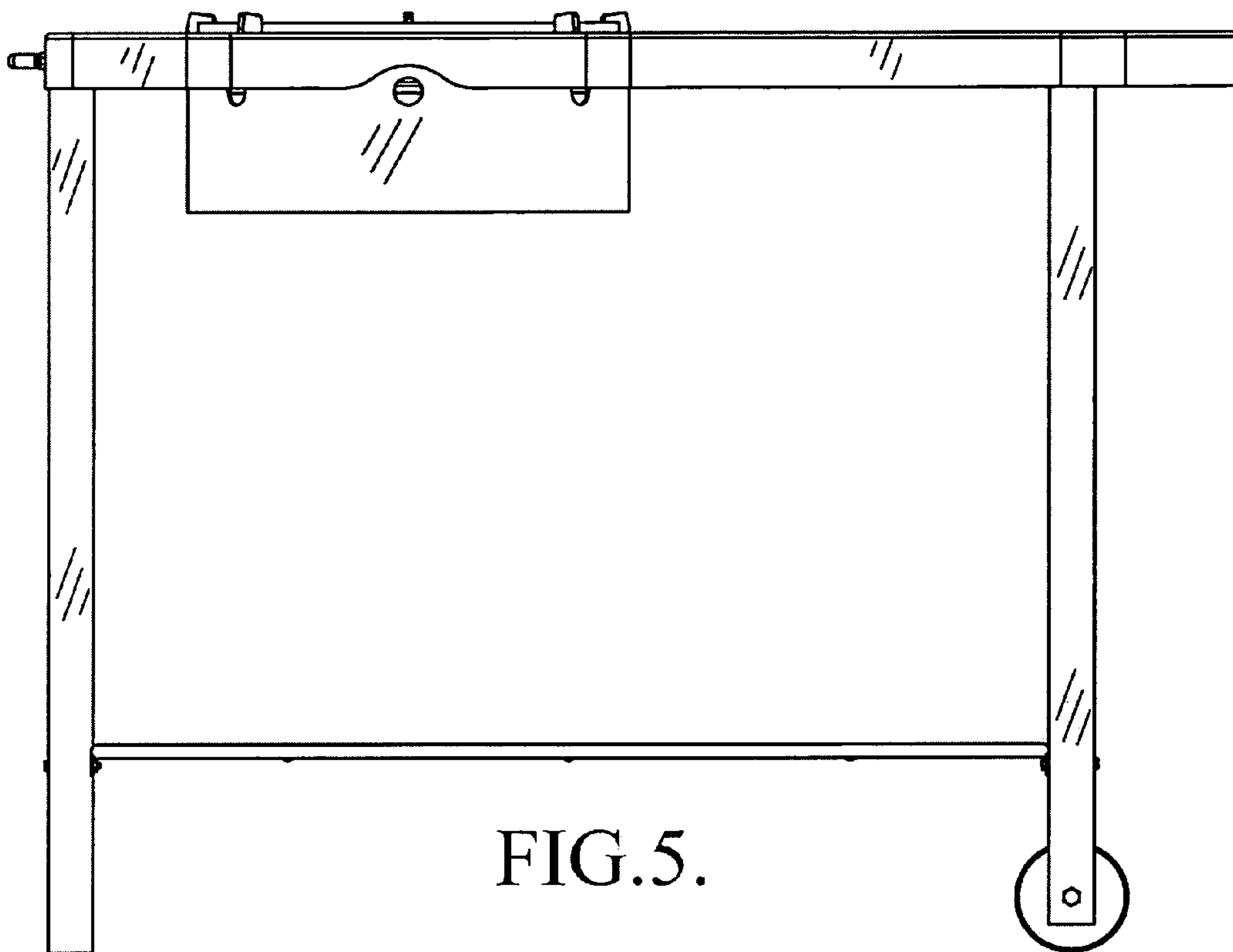


FIG.5.

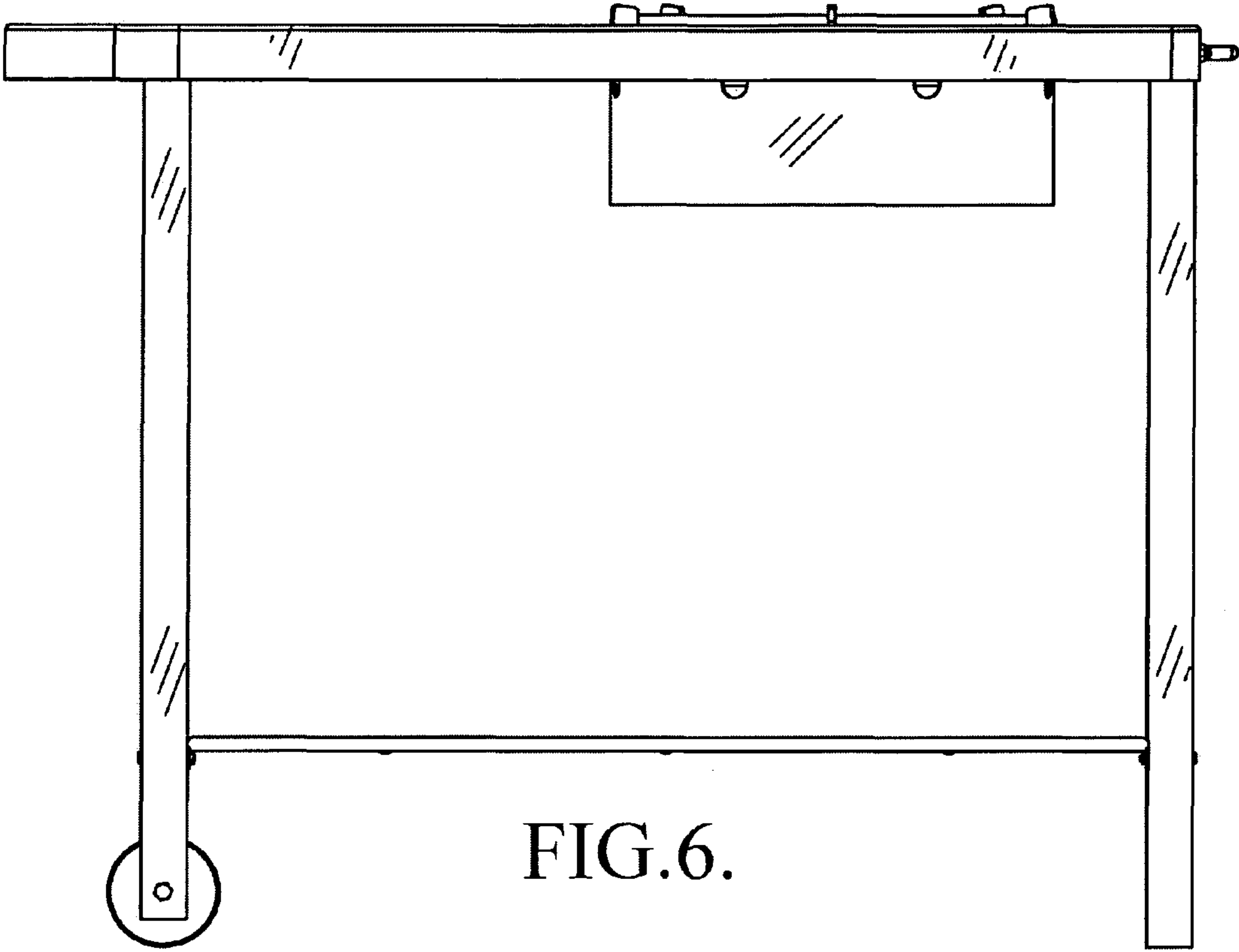
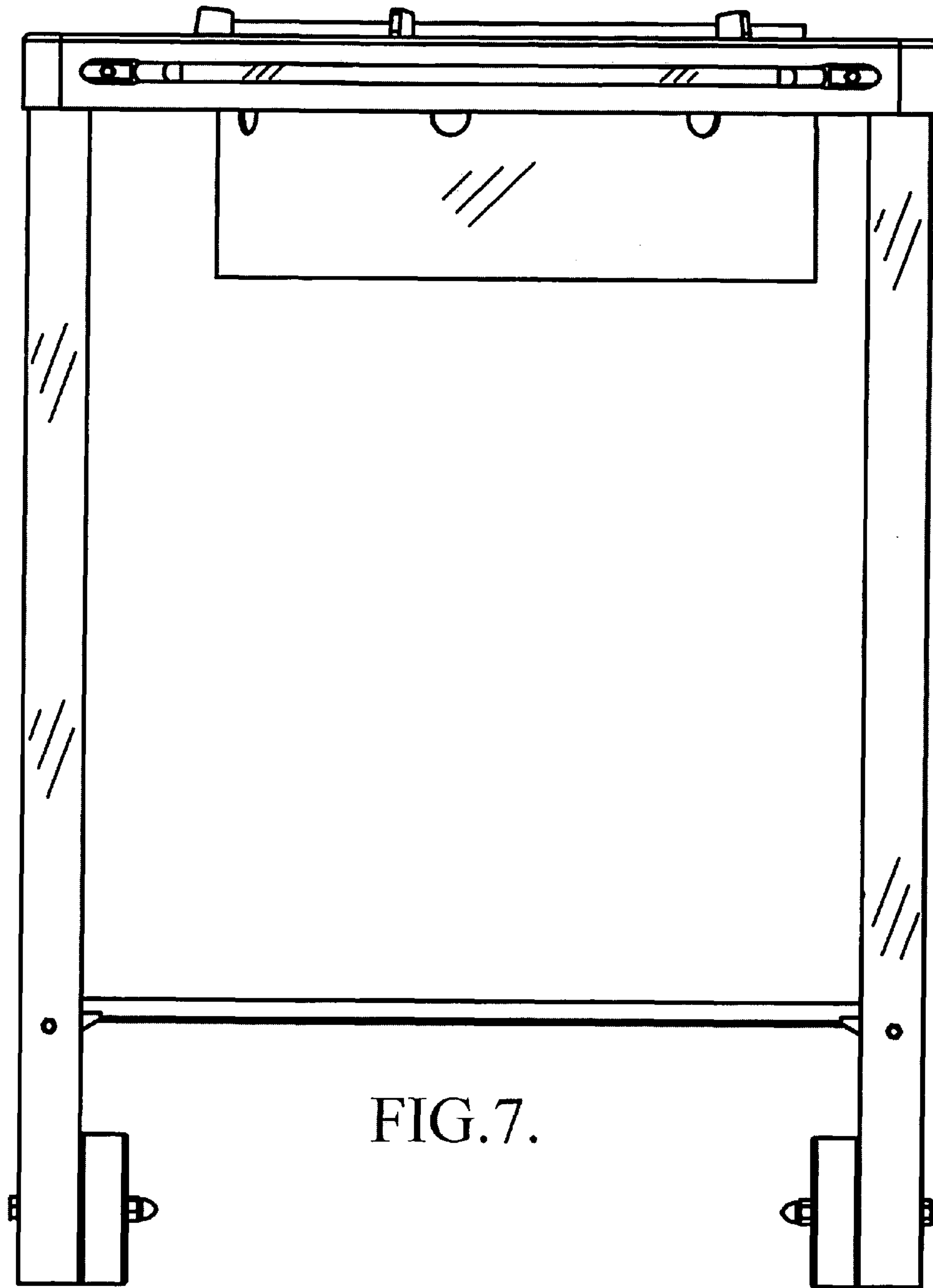


FIG.6.



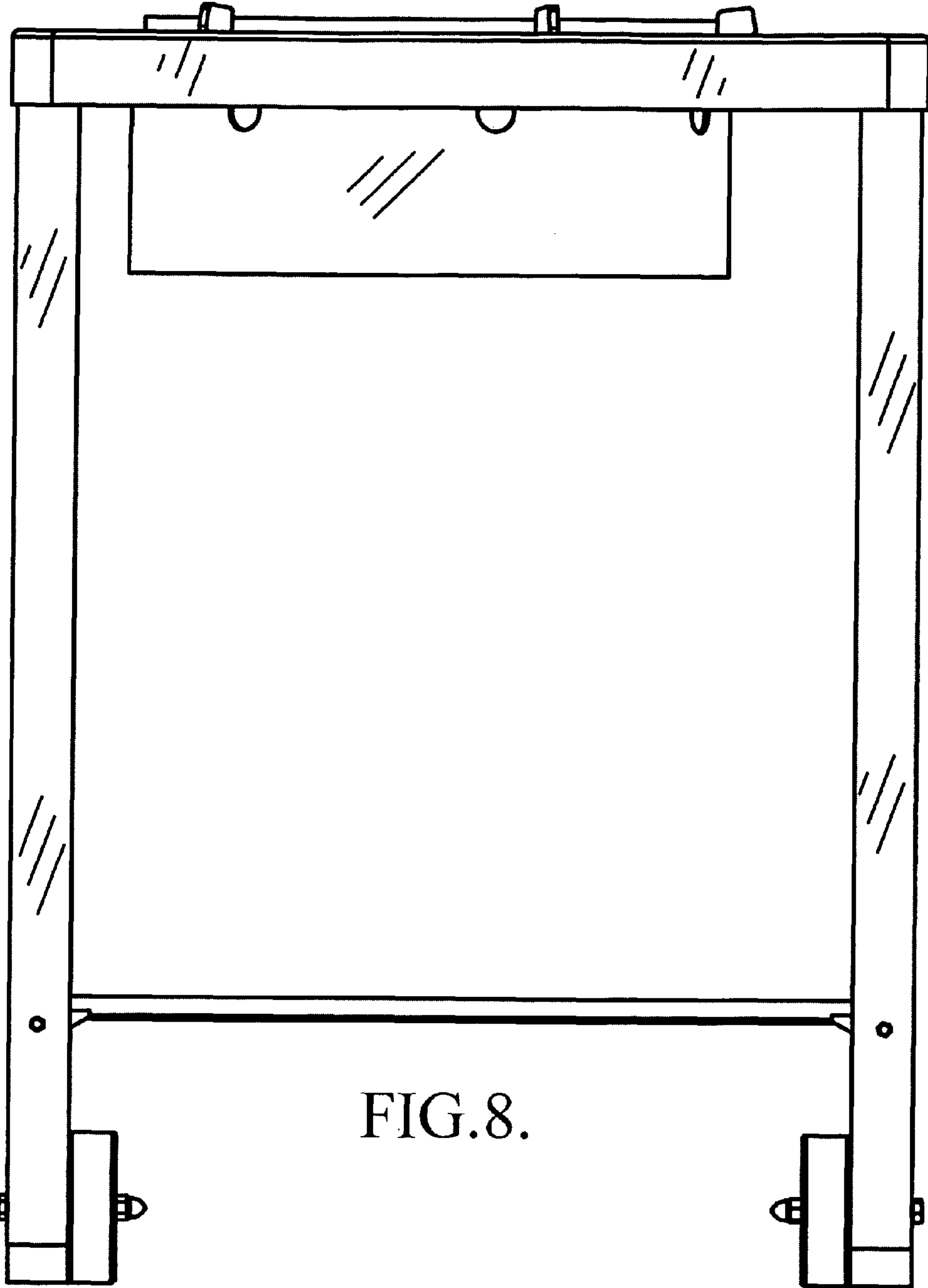


FIG.8.