



US00D625543S

(12) **United States Design Patent**
Fitzgerald

(10) **Patent No.:** **US D625,543 S**
(45) **Date of Patent:** **** Oct. 19, 2010**

- (54) **FOOD COOKER**
- (75) Inventor: **Christian Fitzgerald**, Atlanta, GA (US)
- (73) Assignee: **FC Industries, LLC**, Atlanta, GA (US)
- (**) Term: **14 Years**
- (21) Appl. No.: **29/354,378**
- (22) Filed: **Jan. 22, 2010**

- 5,191,831 A * 3/1993 Walden 99/446
- 5,216,947 A 6/1993 Cheng
- 5,404,864 A 4/1995 Kent, Jr.
- 5,431,093 A 7/1995 Dodgen
- 5,456,163 A 10/1995 Ceravolo
- 5,535,664 A 7/1996 Rokowski
- 5,649,477 A 7/1997 Lingwood
- 5,687,704 A 11/1997 Lerch et al.
- 5,752,497 A 5/1998 Combs et al.
- 5,797,386 A 8/1998 Orr
- 5,823,174 A 10/1998 Andress

Related U.S. Application Data

- (63) Continuation of application No. 11/071,986, filed on Mar. 3, 2005, now abandoned, which is a continuation of application No. 10/465,252, filed on Jun. 19, 2003, now abandoned.

- (51) **LOC (9) Cl.** **07-02**
- (52) **U.S. Cl.** **D7/332**
- (58) **Field of Classification Search** D7/332, D7/334-336, 402-404, 408; 126/25 R, 25 A, 126/25 AA, 41 R, 29-30, 9 R, 9 B, 38, 37 R, 126/40, 50; 99/359, 344, 446-449, 473, 99/481-482, 419, 421 HV, 421 R, 421 H, 99/347, 417, 418

See application file for complete search history.

(56) **References Cited**

U.S. PATENT DOCUMENTS

- 522,399 A 7/1894 Beveridge
- 1,284,299 A 11/1918 Freeon
- 1,485,292 A 2/1924 Popper
- 2,049,481 A 8/1936 Walterspiel
- 2,397,766 A 4/1946 Tullis
- 3,139,023 A 6/1964 Irwin
- D209,491 S * 12/1967 Kostial D7/332
- D222,310 S 10/1971 Zaunbrecher
- 3,776,127 A 12/1973 Muse
- 3,791,368 A 2/1974 Hunt
- D244,249 S * 5/1977 Boswell et al. D7/332
- 4,503,835 A 3/1985 Williams
- 4,850,333 A 7/1989 Dellrud et al.
- 4,924,845 A 5/1990 Johnson et al.

(Continued)

OTHER PUBLICATIONS

Comalco, "Rocket Rooster" Owner's Manual, 12 pages, New Brunswick, Texas. Date of publication unknown.

Primary Examiner—Ruth McInroy
(74) *Attorney, Agent, or Firm*—Gardner Groff Greenwald & Villanueva, P.C.

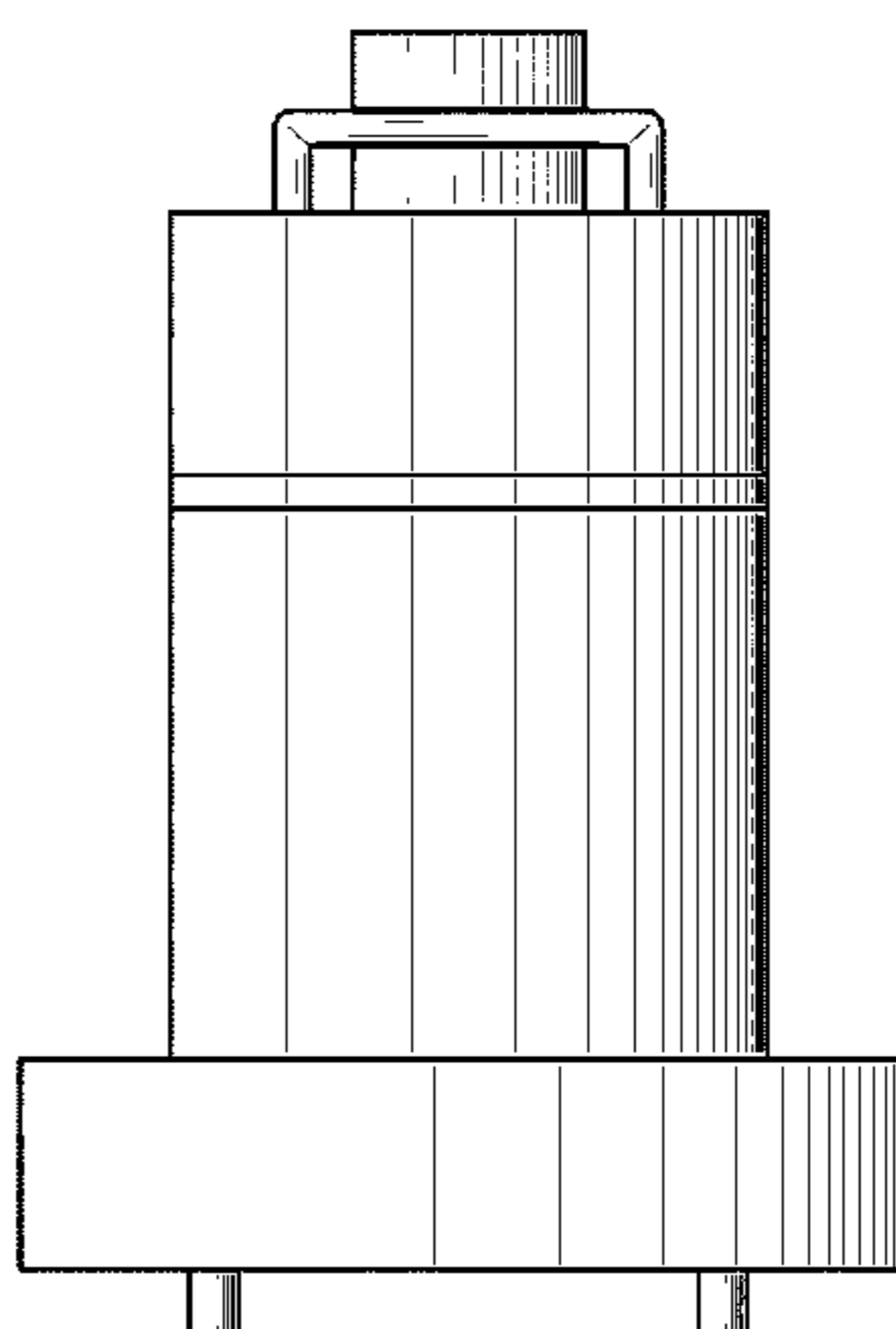
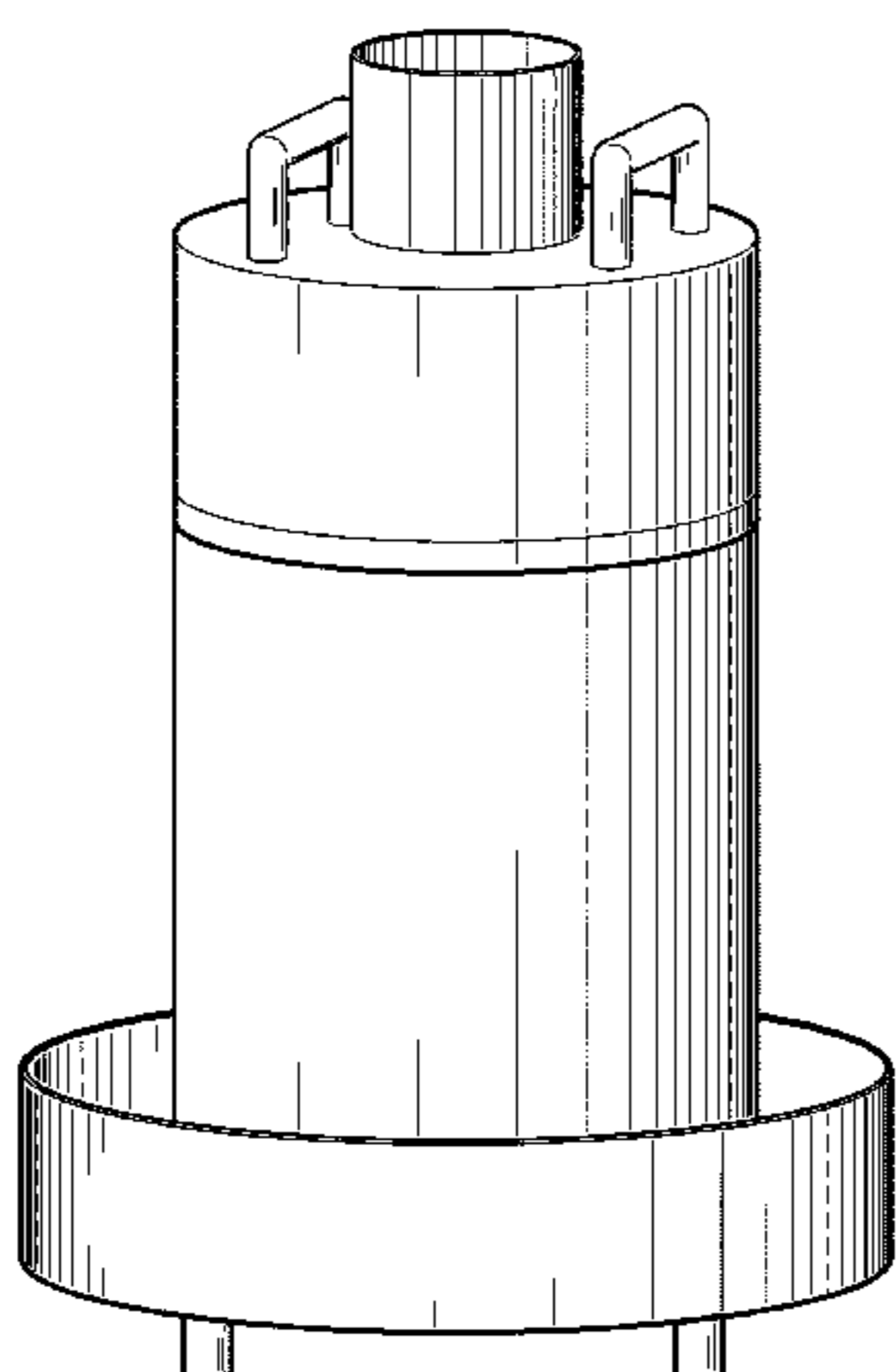
(57) **CLAIM**

The ornamental design for a food cooker, as shown and described.

DESCRIPTION

- FIG. 1 is a perspective view of a food cooker showing my new design;
- FIG. 2 is a front view thereof, the rear view being a mirror image;
- FIG. 3 is a side view thereof, the opposite side being a mirror image;
- FIG. 4 is a top plan view thereof; and,
- FIG. 5 is a bottom plan view thereof.

1 Claim, 3 Drawing Sheets



US D625,543 S

Page 2

U.S. PATENT DOCUMENTS

5,842,463	A	12/1998	Hall				
5,893,320	A *	4/1999	Demaree	99/419			
5,983,882	A	11/1999	Ceravolo				
6,058,830	A	5/2000	Bourgeois				
6,095,130	A	8/2000	Faraj				
6,123,015	A *	9/2000	McLain et al.	99/449			
6,125,835	A	10/2000	Montano				
6,138,661	A	10/2000	Cooper				
6,158,426	A	12/2000	Wardell				
6,182,650	B1	2/2001	Tuttle				
6,213,006	B1	4/2001	Reardon et al.				
6,272,976	B1	8/2001	Berryman				
6,289,795	B1	9/2001	McLemore et al.				
D463,948	S	10/2002	Innes				
D481,903	S *	11/2003	Hester	D7/332			
D486,040	S	2/2004	Lo et al.				
D486,348	S	2/2004	Zhu				
6,688,301	B1	2/2004	McNeill				
6,705,213	B1 *	3/2004	Thomas	99/482			
6,706,301	B2	3/2004	Vaughan				
6,718,966	B1	4/2004	Barbour				
D521,328	S	5/2006	Morgan				
D524,091	S *	7/2006	Lai	D7/332			
D525,821	S	8/2006	Latzman et al.				
D548,513	S *	8/2007	Huang	D7/332			
D550,022	S *	9/2007	Amajuwon et al.	D7/332			
D553,424	S *	10/2007	Lin	D7/354			
D563,719	S	3/2008	Fitzgerald				
D574,177	S *	8/2008	Hulsey	D7/335			
D576,833	S *	9/2008	Mansell	D7/332			
2003/0234014	A1	12/2003	Fitzgerald				
2004/0200359	A1 *	10/2004	Snider	99/446			

* cited by examiner

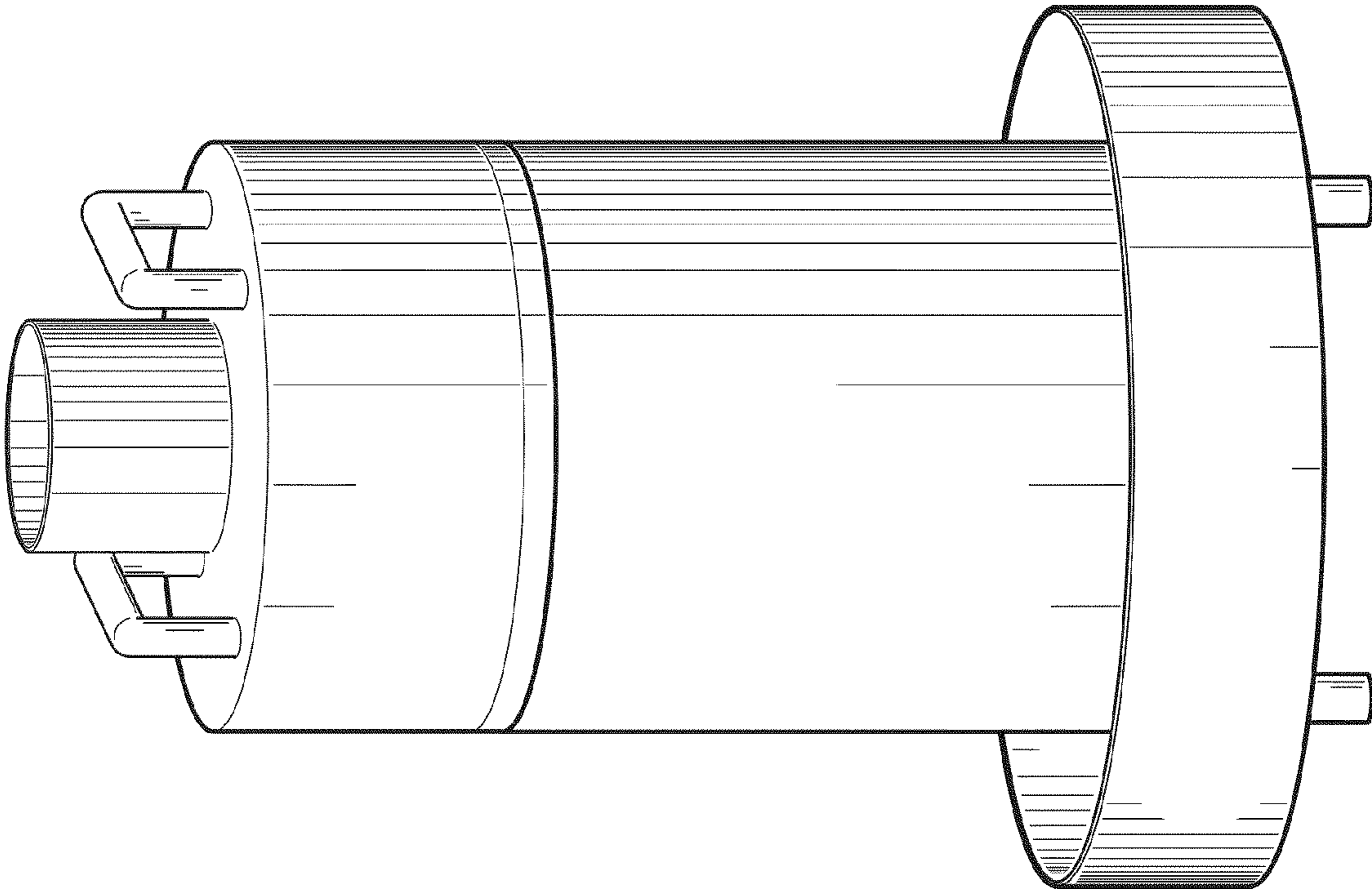


FIG. 1

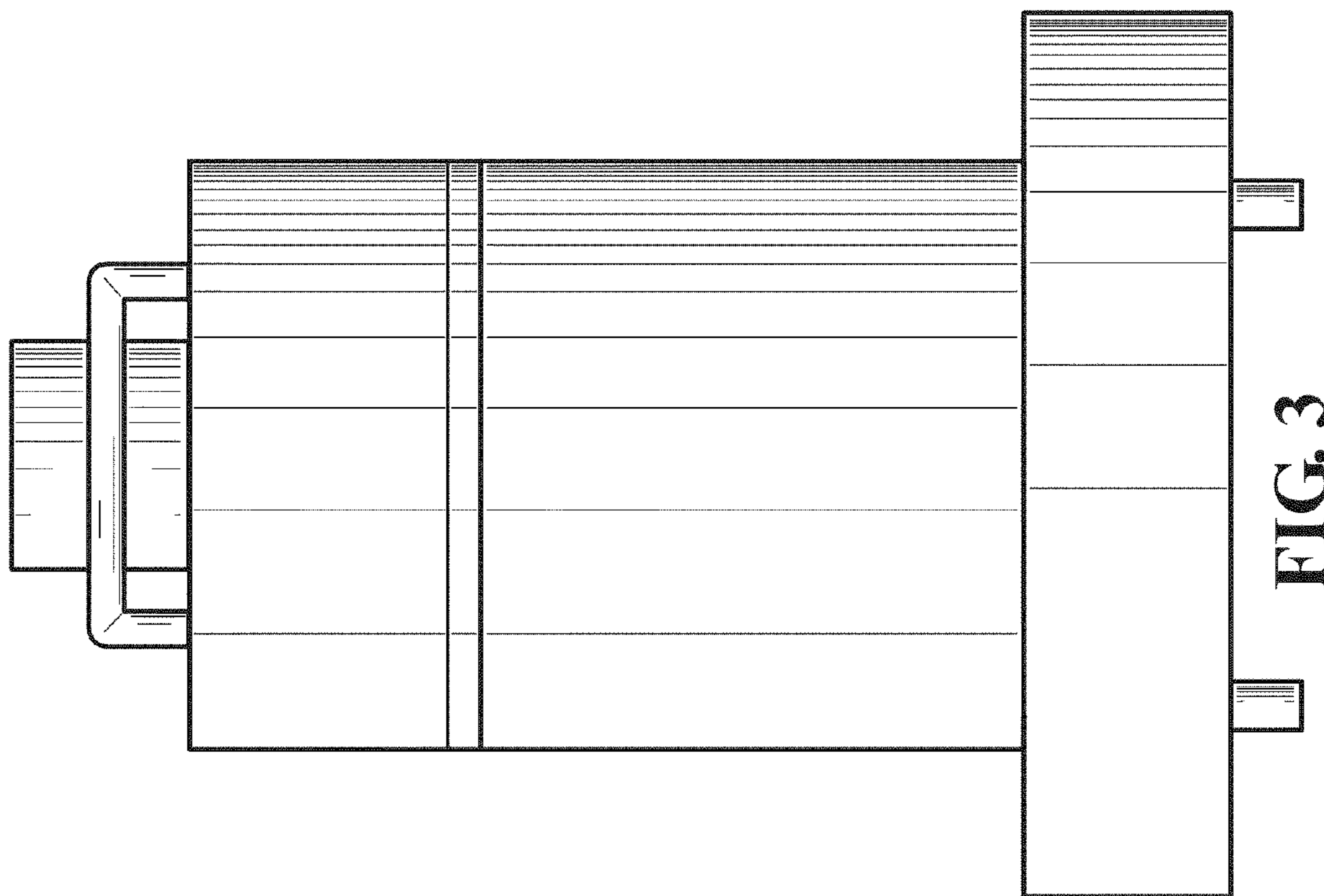


FIG. 3

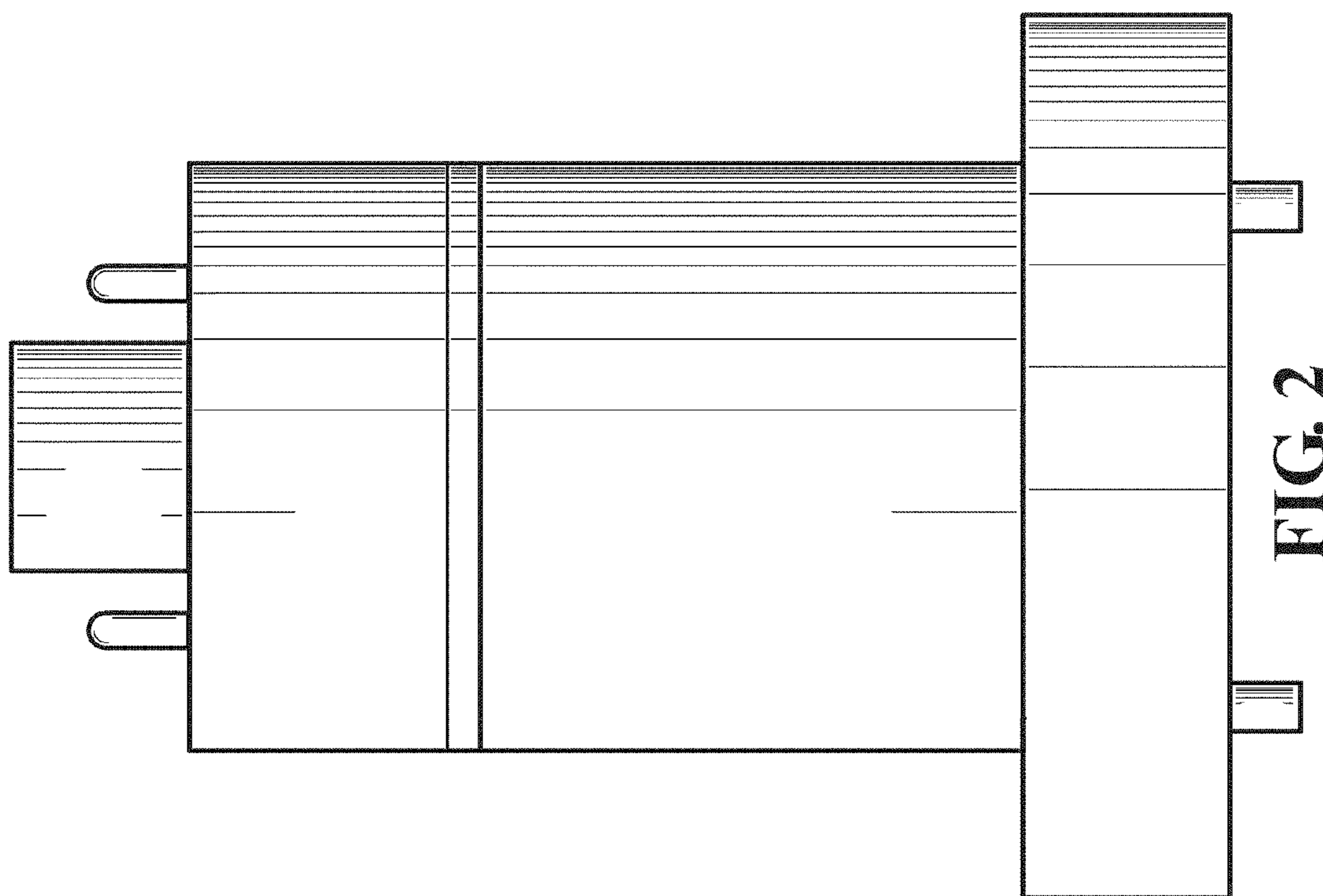


FIG. 2

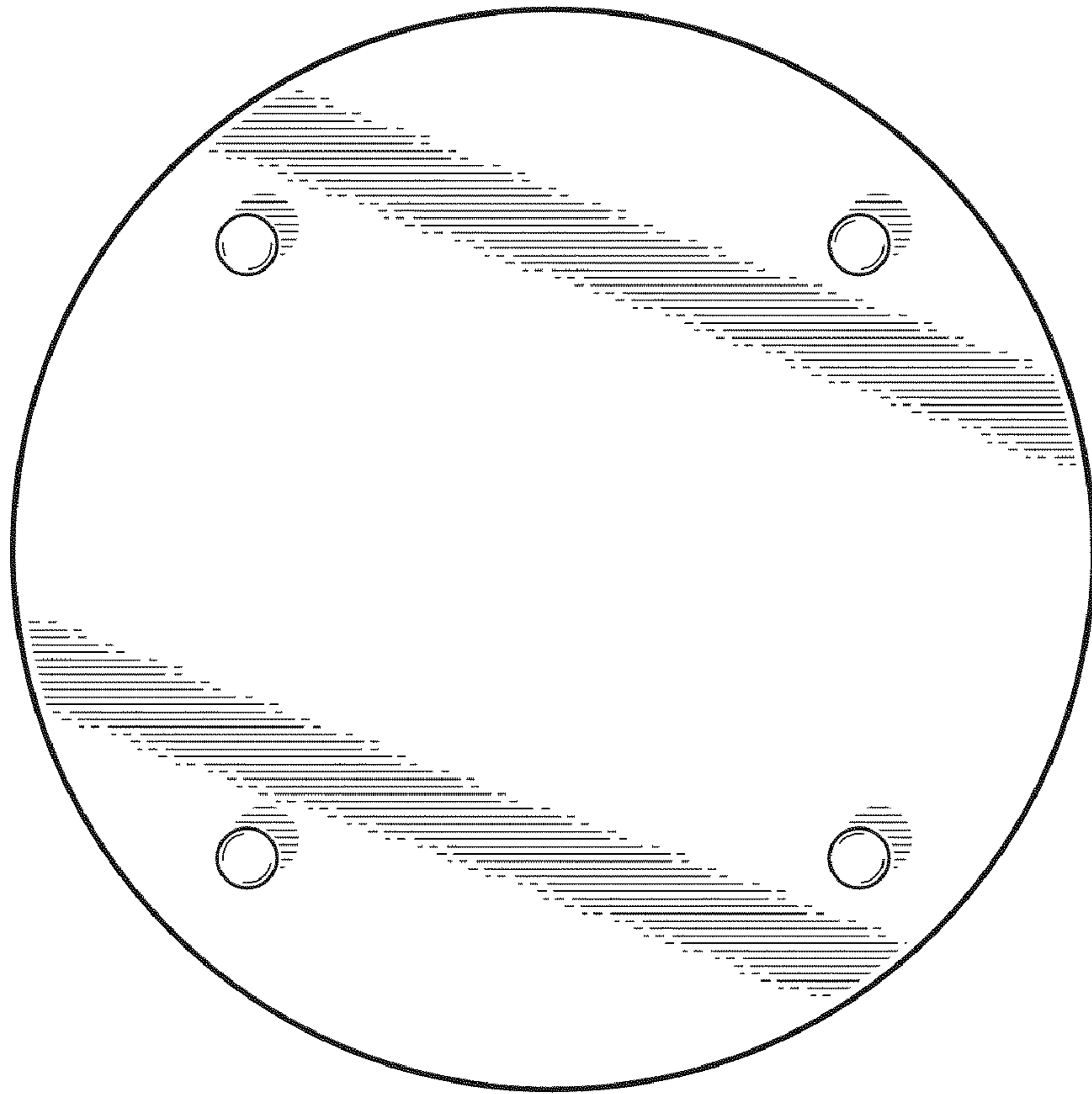


FIG. 5

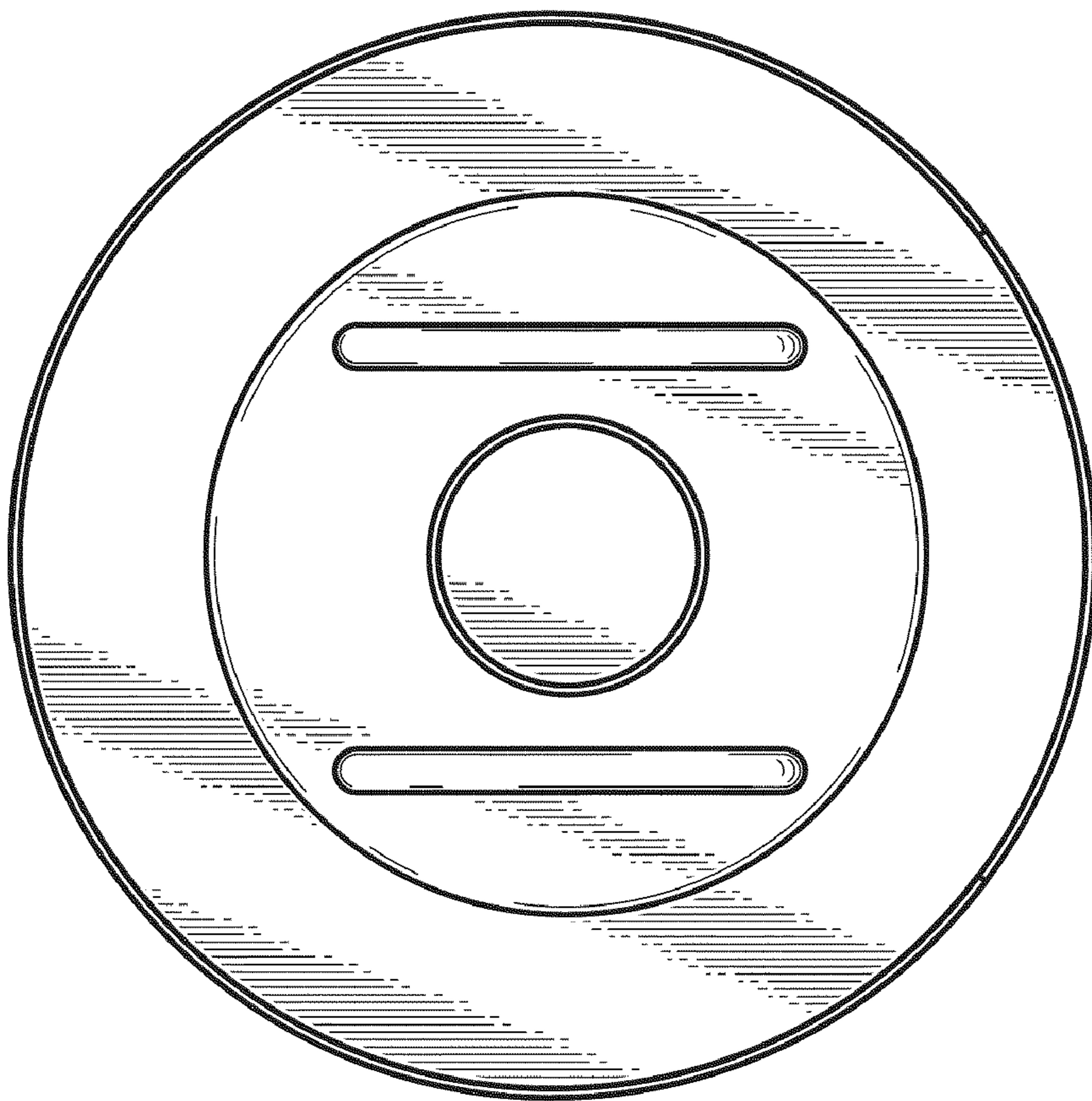


FIG. 4