



US00D625541S

(12) **United States Design Patent**  
**Kauer**

(10) **Patent No.:** **US D625,541 S**

(45) **Date of Patent:** **\*\* Oct. 19, 2010**

(54) **DRINK MIXER**

(76) **Inventor:** **Frank Kauer**, 21/FI., Benson Tower, 74  
Hung to Road, Kwun Tong (HK)

(\*\*) **Term:** **14 Years**

(21) **Appl. No.:** **29/355,758**

(22) **Filed:** **Feb. 12, 2010**

(51) **LOC (9) Cl.** ..... **07-01**

(52) **U.S. Cl.** ..... **D7/300.1; D7/312; D7/313;**  
**D7/306; D7/510**

(58) **Field of Classification Search** ..... **D7/379,**  
**D7/300, 300.1, 306, 313, 312, 510, 511;**  
**220/568; 366/206**

See application file for complete search history.

(56) **References Cited**

**U.S. PATENT DOCUMENTS**

1,042,751	A *	10/1912	Barker	.....	220/568
1,750,334	A *	3/1930	Stern	.....	220/568
2,013,615	A *	9/1935	Fontan	.....	220/568
2,270,480	A *	1/1942	Seyfried	.....	416/235
D156,679	S *	12/1949	Smith	.....	D7/379
2,498,570	A *	2/1950	Myers	.....	366/206
2,654,847	A *	10/1953	Arthur	.....	310/68 B
D221,791	S *	9/1971	Chi	.....	D7/313
D480,590	S *	10/2003	Linz et al.	.....	D7/300.1

D499,342	S *	12/2004	Klitsner et al.	.....	D9/502
D608,141	S *	1/2010	Sanders	.....	D7/398
7,686,501	B2 *	3/2010	Bruce	.....	366/130

\* cited by examiner

*Primary Examiner*—Marianne Pandozzi

(74) *Attorney, Agent, or Firm*—Henry B. Ward, III; Moore &  
Van Allen, PLLC

(57) **CLAIM**

The ornamental design for a drink mixer, as shown and described.

**DESCRIPTION**

FIG. 1 is a top and right side perspective view of drink mixer showing my new design;

FIG. 2 is a front-elevational view thereof;

FIG. 3 is a rear-elevational view thereof;

FIG. 4 is a right side-elevational view thereof;

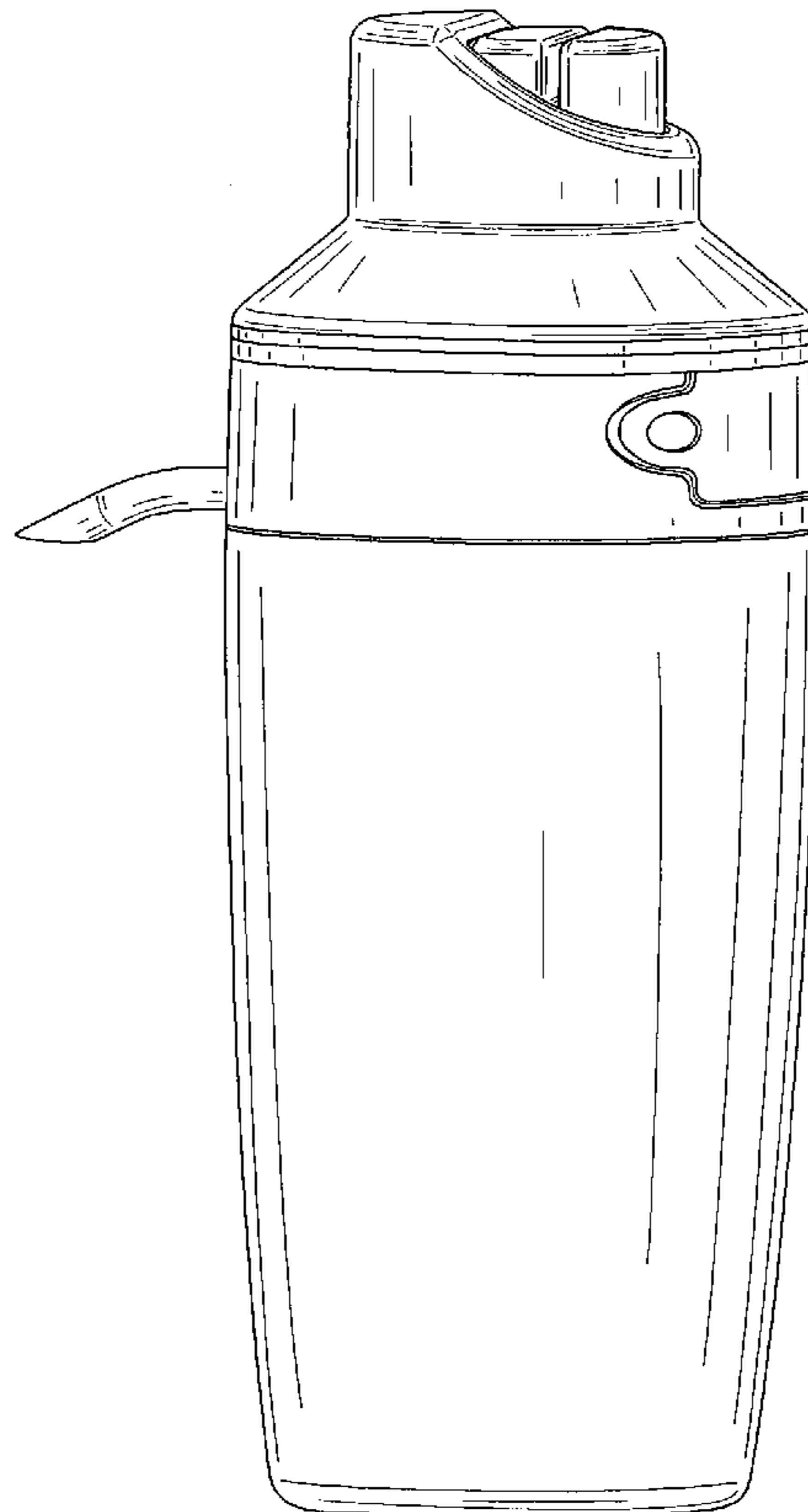
FIG. 5 is a left-side-elevational view thereof;

FIG. 6 is a top-plan view thereof; and,

FIG. 7 is a bottom-plan view thereof.

The surface shading, if any, illustrated in the drawings is provided merely to highlight the contour of the design; it is not intended to be illustrative of texture or gloss.

**1 Claim, 7 Drawing Sheets**



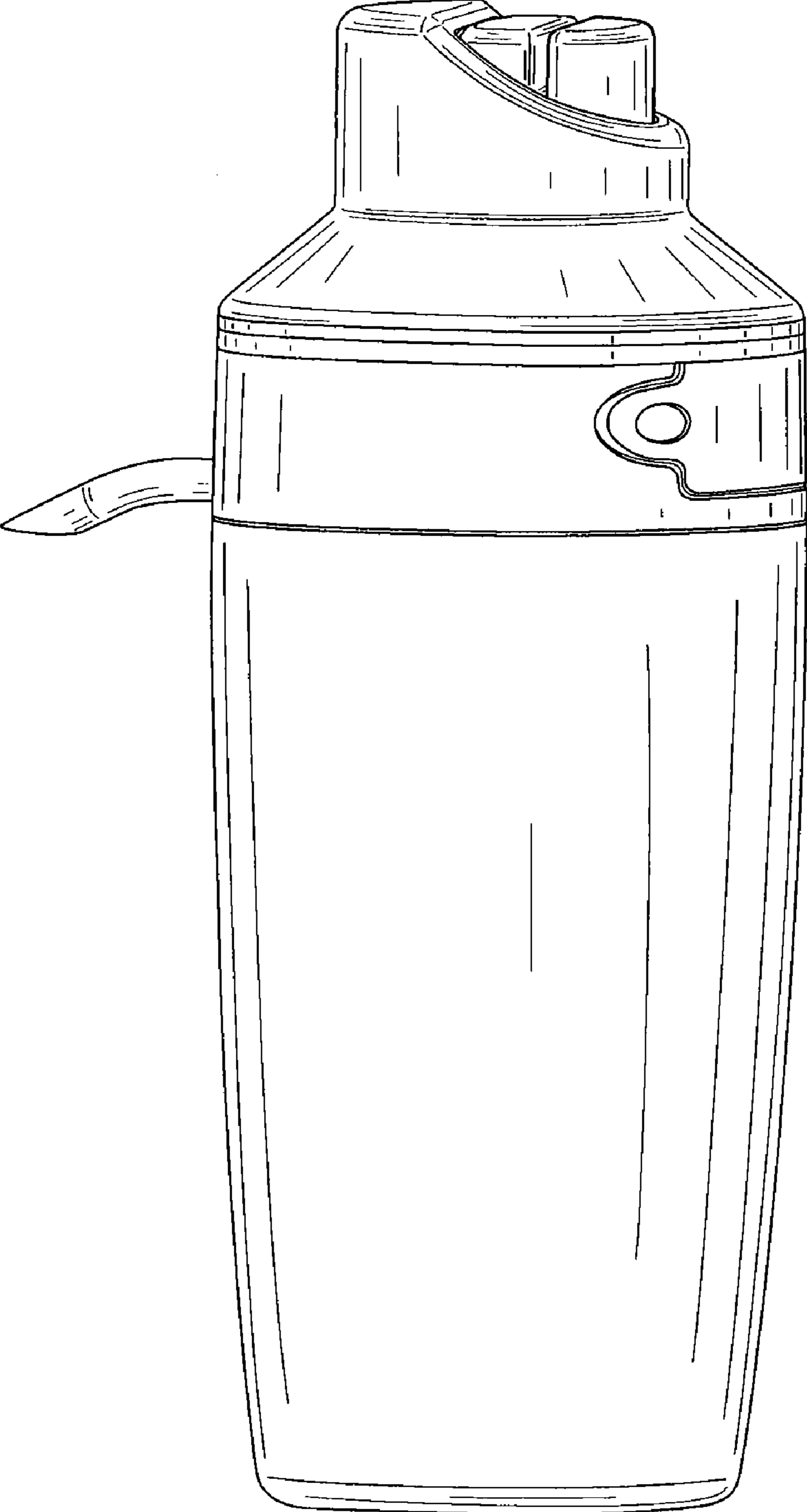
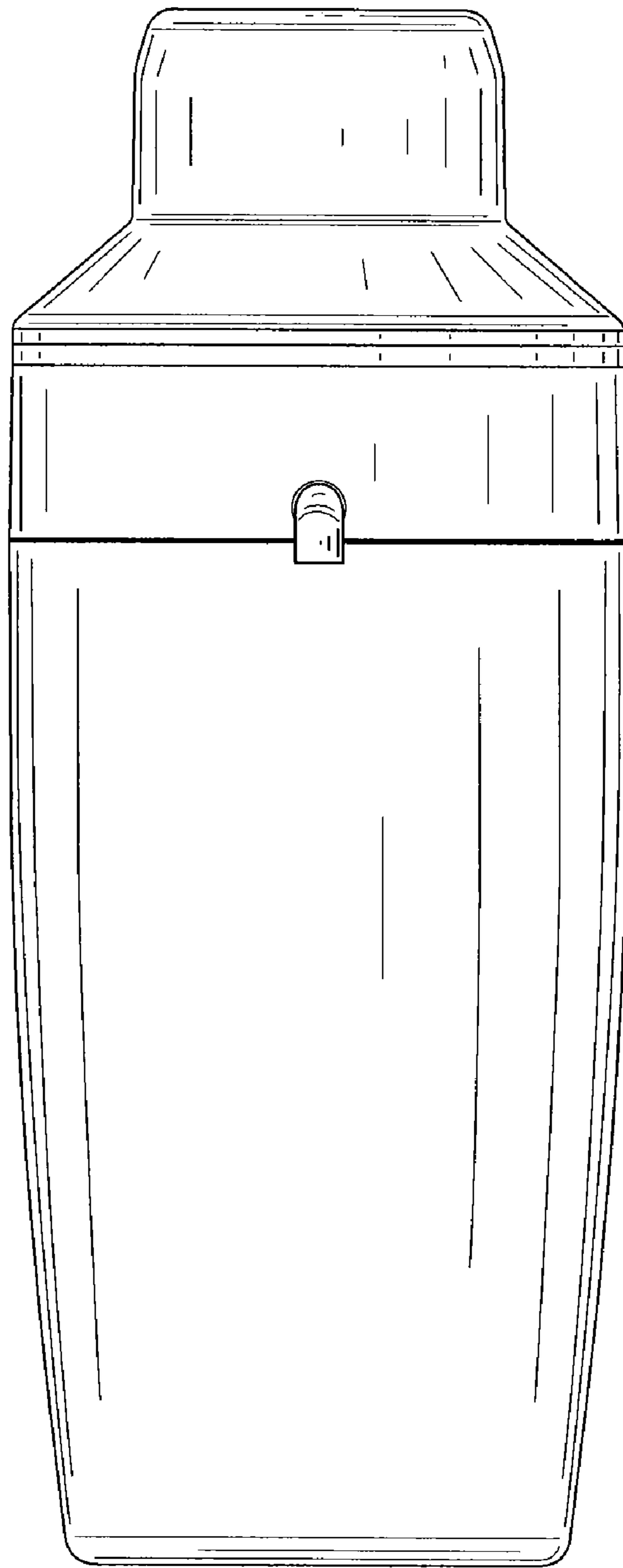
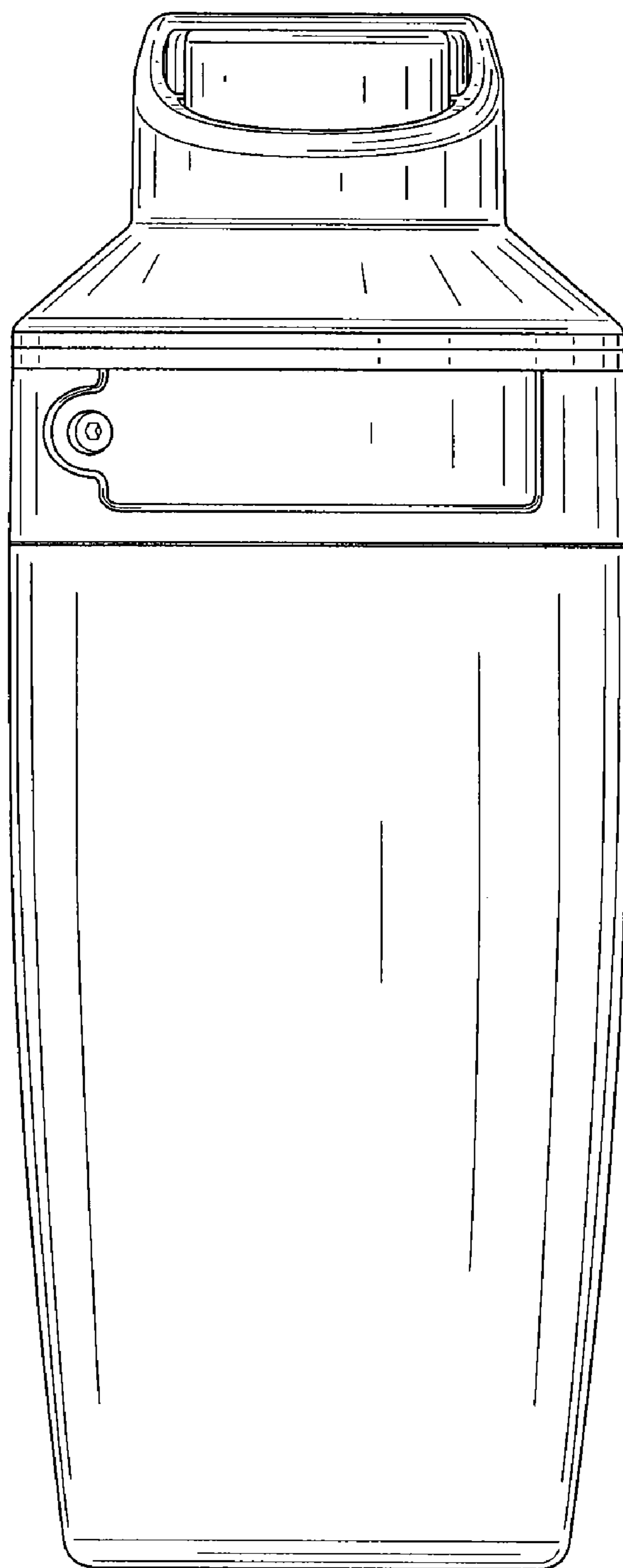


FIG. 1



**FIG. 2**



**FIG. 3**

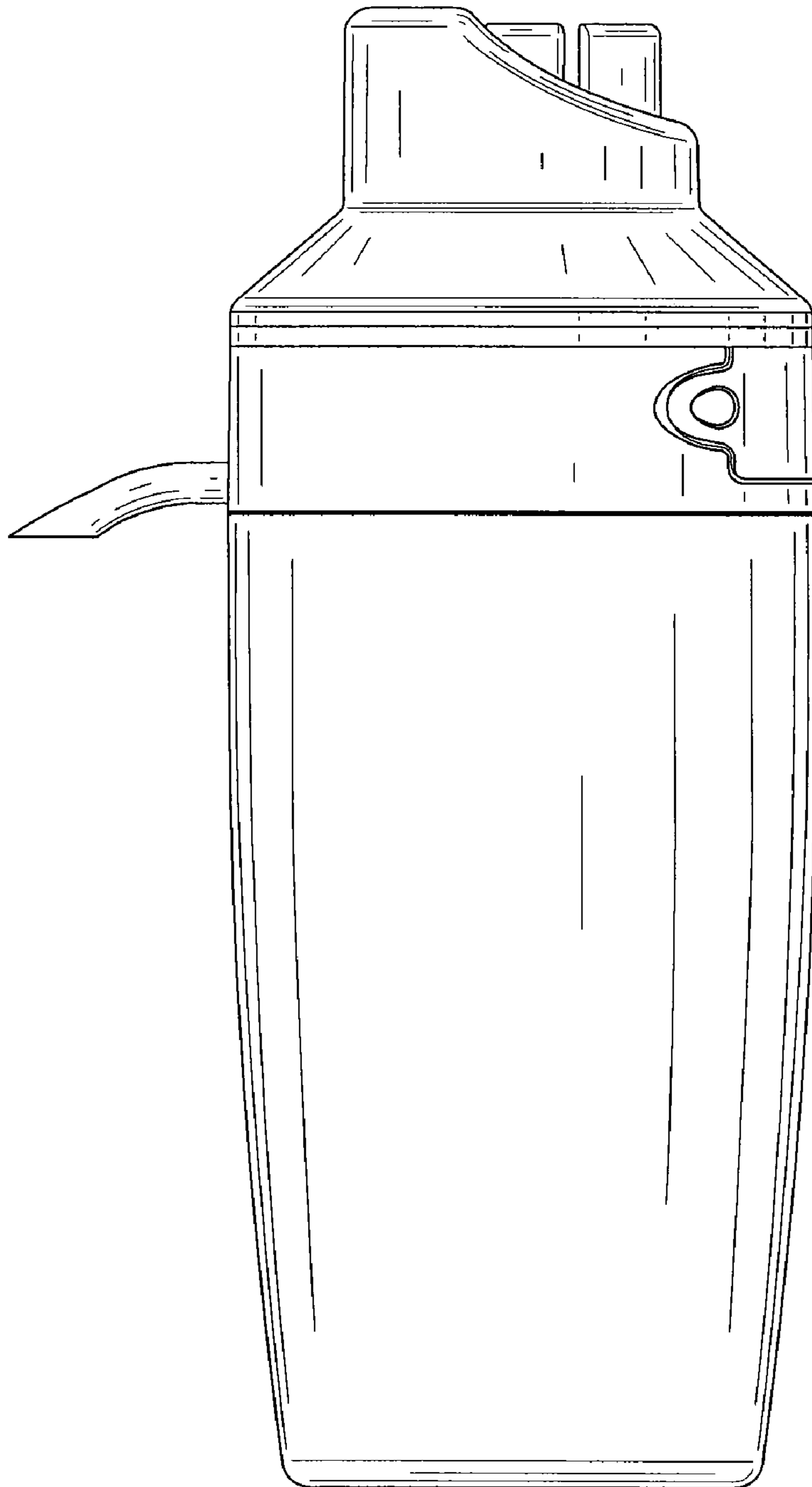


FIG. 4

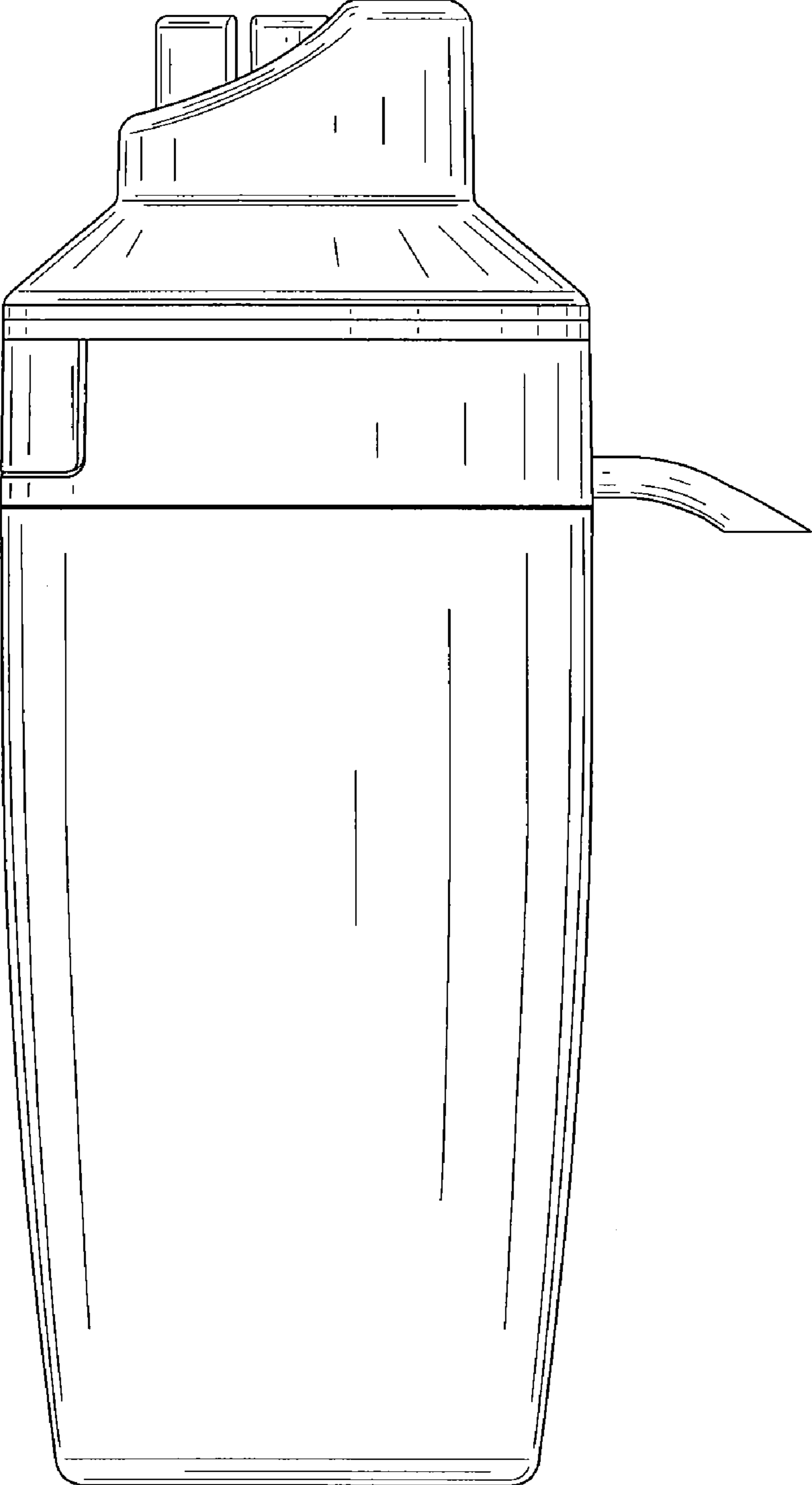
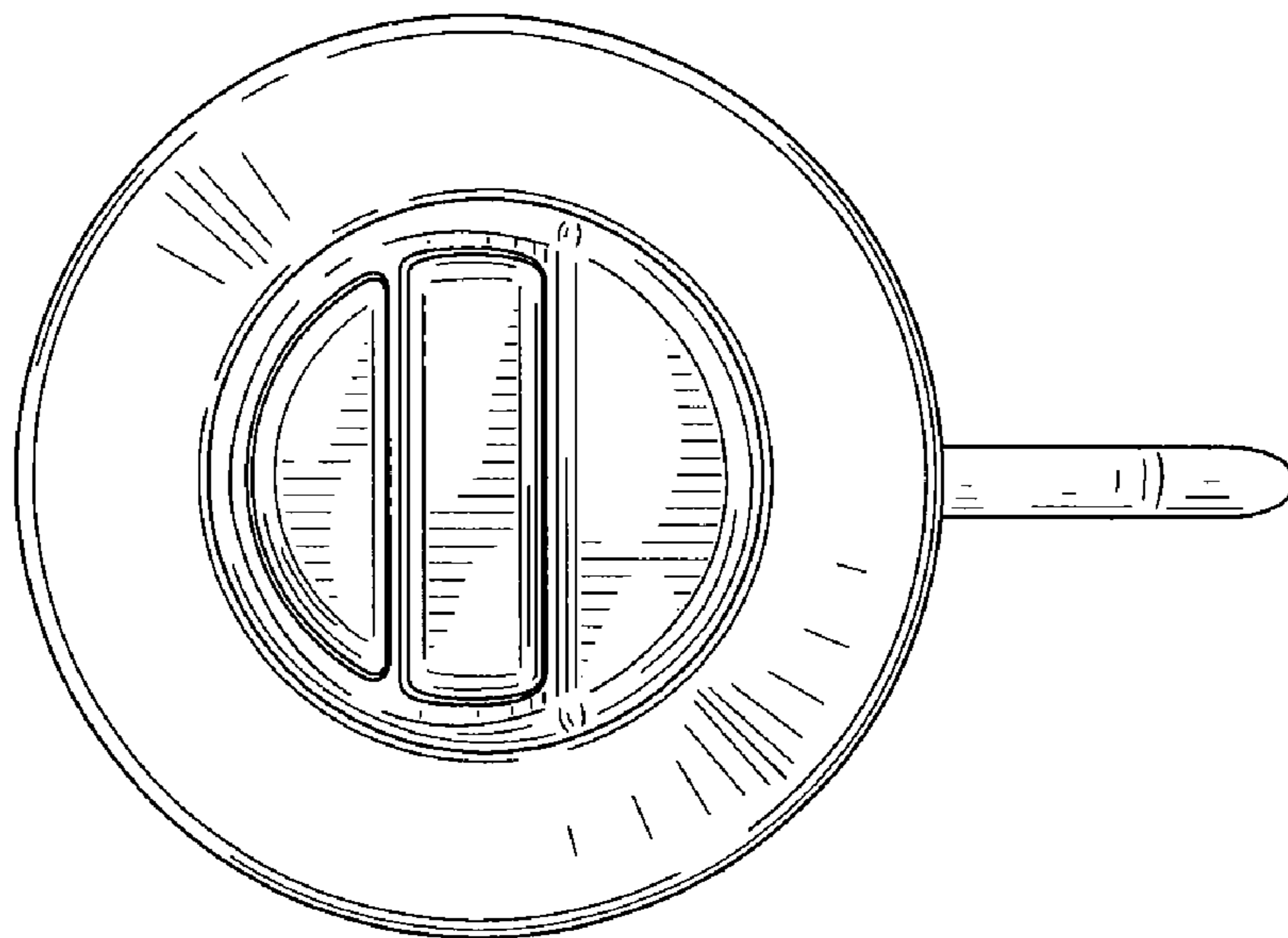
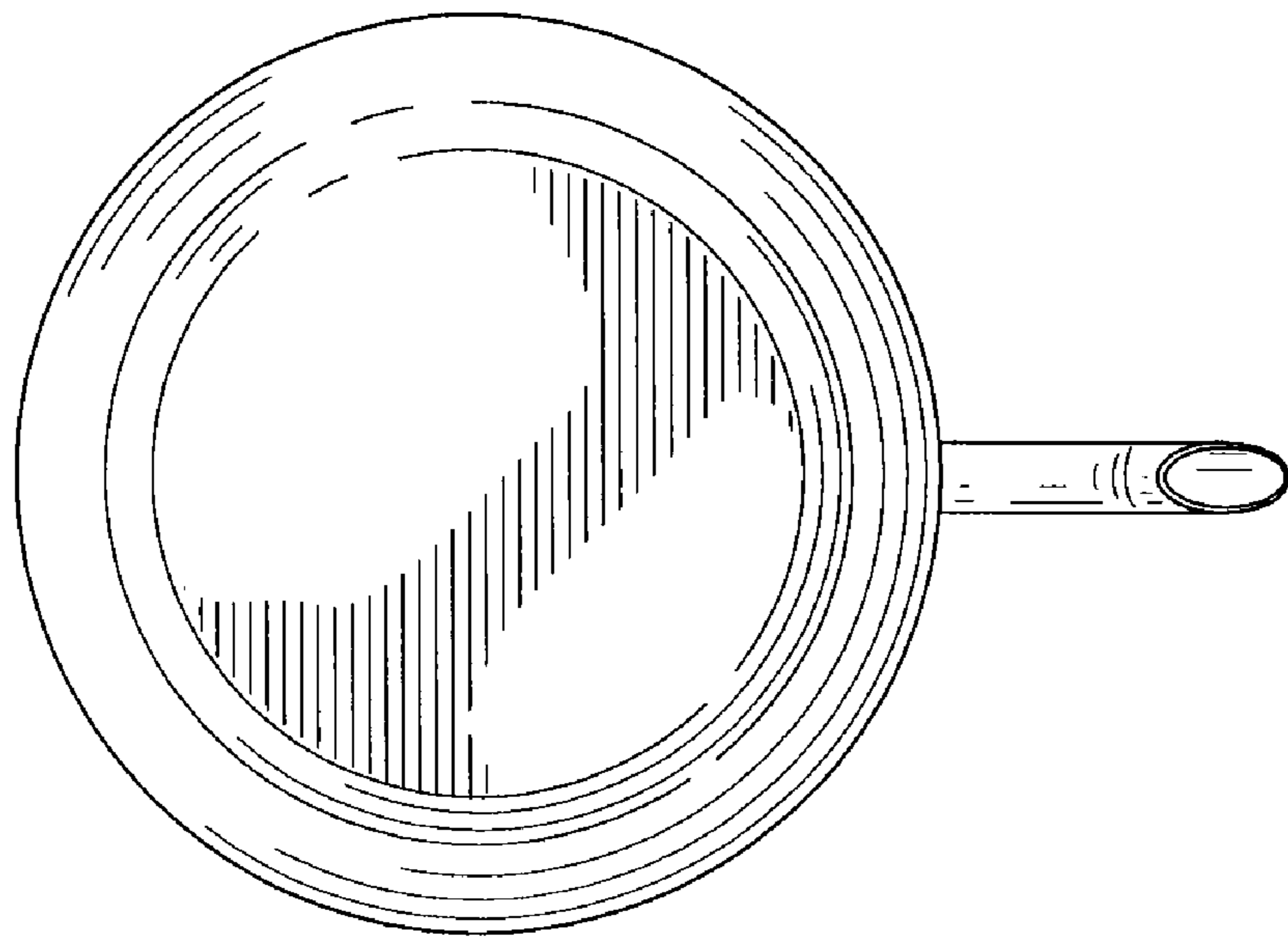


FIG. 5



**FIG. 6**



**FIG. 7**