



US00D625537S

(12) **United States Design Patent**
Maxwell et al.

(10) **Patent No.:** **US D625,537 S**

(45) **Date of Patent:** **** Oct. 19, 2010**

(54) **DISPENSER FOR PLASTIC FILM OR FOIL**

D522,782 S * 6/2006 Benedetti et al. D6/518
D571,135 S * 6/2008 Collado D6/518
D616,233 S * 5/2010 Yang D6/518

(75) Inventors: **Charles P. Maxwell**, Mequon, WI (US);
Scott Collins, Milwaukee, WI (US);
Kenneth Krall, Petaluma, CA (US)

* cited by examiner

(73) Assignee: **Tablecraft Products Company**, Gurnee,
IL (US)

Primary Examiner—Brian N Vinson

(74) *Attorney, Agent, or Firm*—Pearne & Gordon LLP

(**) Term: **14 Years**

(57) **CLAIM**

(21) Appl. No.: **29/346,649**

The ornamental design for a dispenser for plastic film or foil,
as shown and described.

(22) Filed: **Nov. 4, 2009**

DESCRIPTION

(51) **LOC (9) Cl.** **20-02**

FIG. 1 is a perspective view showing the front and right side
of my new design for a dispenser for plastic film or foil, it
being understood that the broken lines are for illustrative
purposes only;

(52) **U.S. Cl.** **D6/518**

FIG. 2 is a front elevational view thereof;

(58) **Field of Classification Search** D6/515–523;
206/225, 233, 389, 391; 211/13.1; 222/173,
222/180; 221/26, 33, 282–283; 242/270,
242/590; 248/309.1, 309.2, 905

FIG. 3 is a top plan view thereof;

See application file for complete search history.

FIG. 4 is a right side elevational view thereof, it being under-
stood that the left side is a mirror image of this view;

FIG. 5 is a rear elevational view thereof; and,

(56) **References Cited**

U.S. PATENT DOCUMENTS

D272,021 S * 1/1984 Ruff D6/518
4,951,858 A 8/1990 Krall
D396,978 S * 8/1998 Kaiser et al. D6/518
D441,577 S * 5/2001 Benedetti D6/518
D452,788 S * 1/2002 Neiberger et al. D6/518
D480,901 S * 10/2003 Millington D6/518

FIG. 6 is a bottom plan view thereof.

The broken-line disclosure in the views is understood to form
part of the article in which the claimed design is embodied,
but which forms no part of the claimed design.

1 Claim, 3 Drawing Sheets

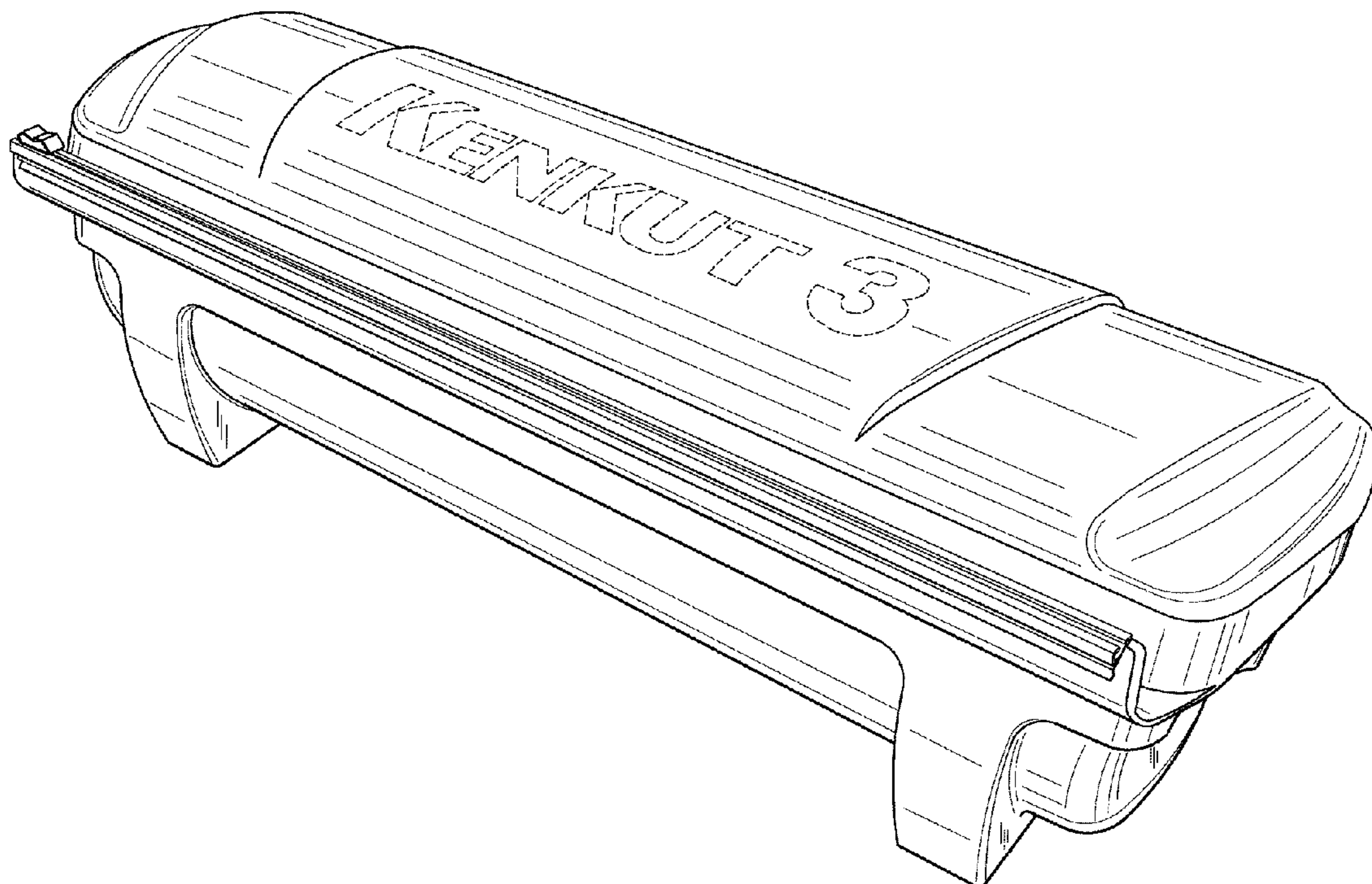
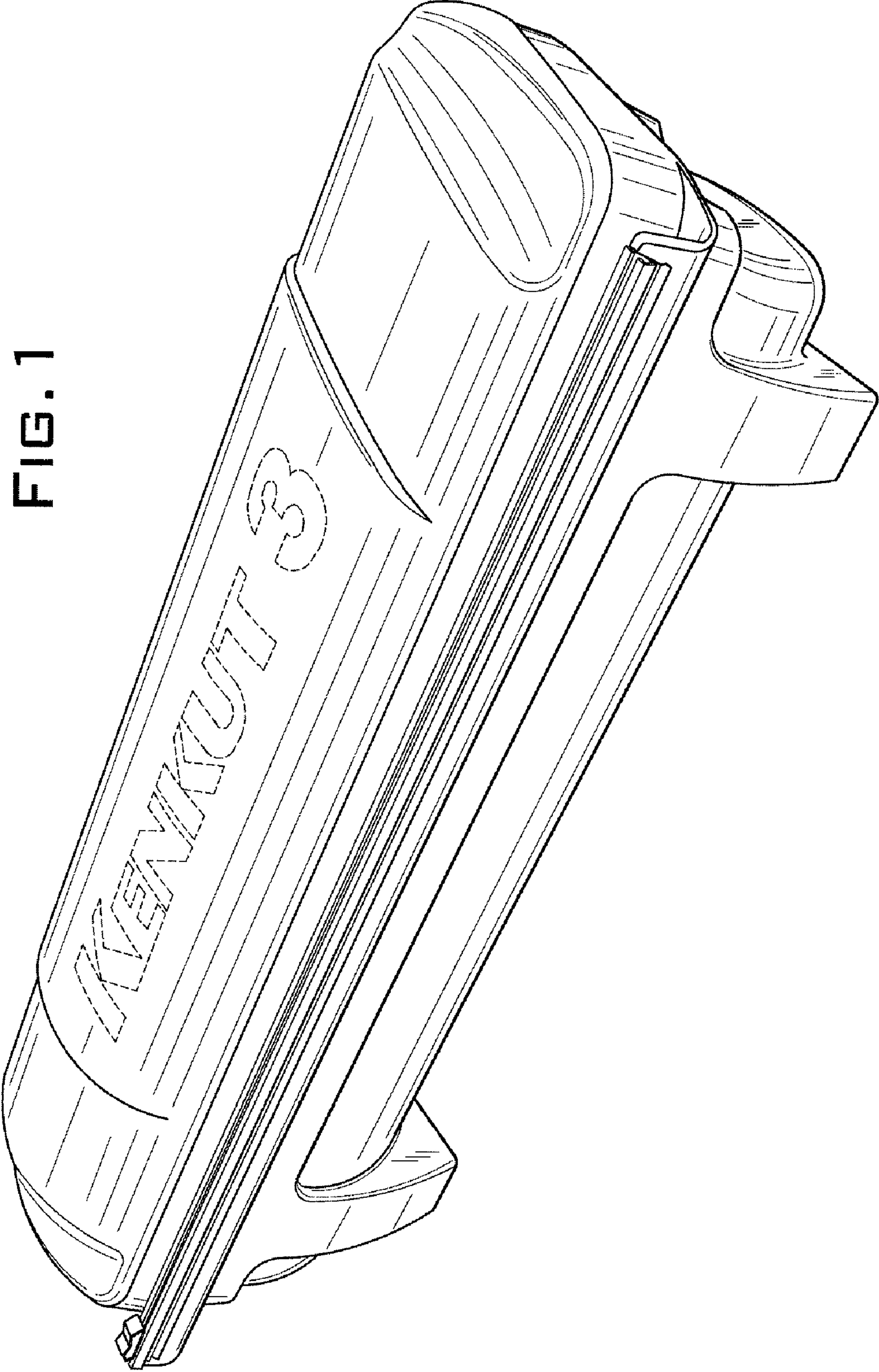


FIG. 1



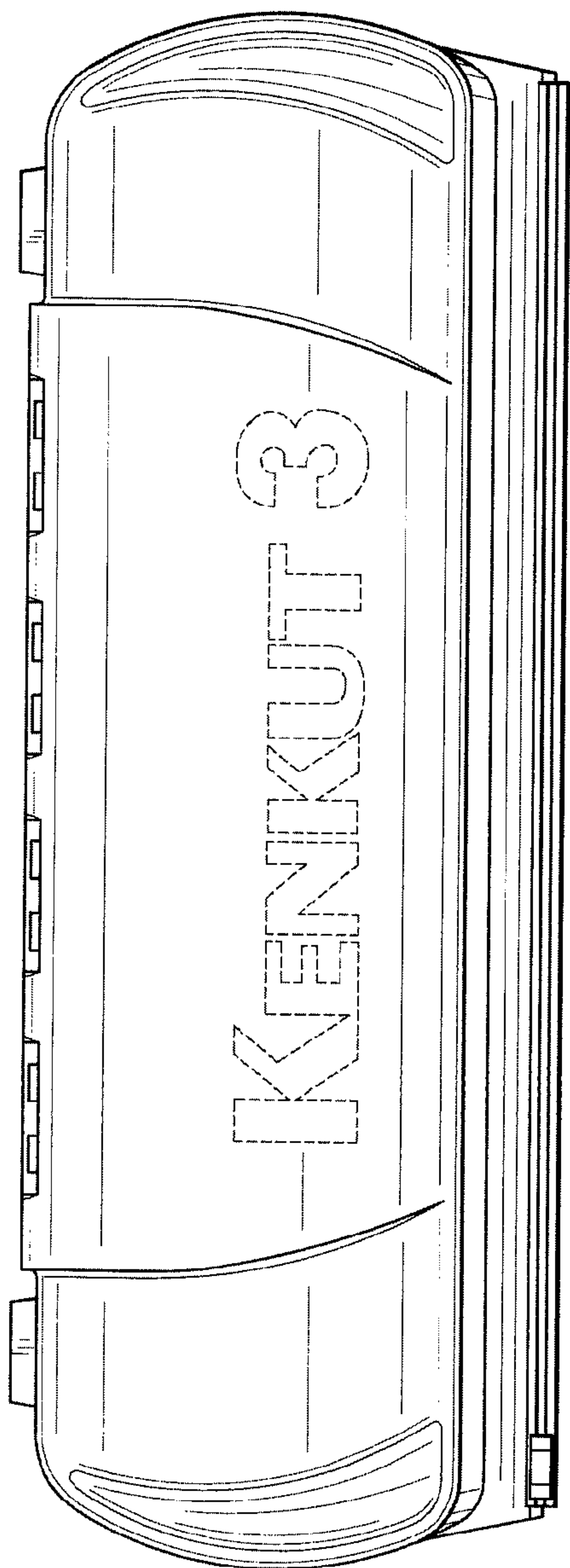


FIG. 3

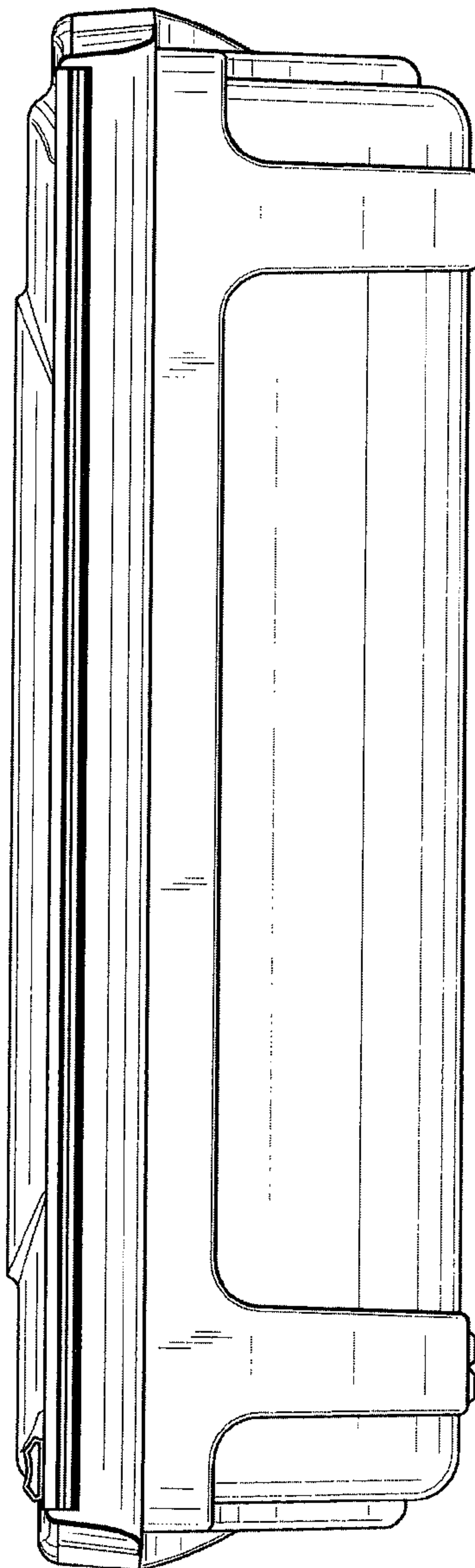


FIG. 2

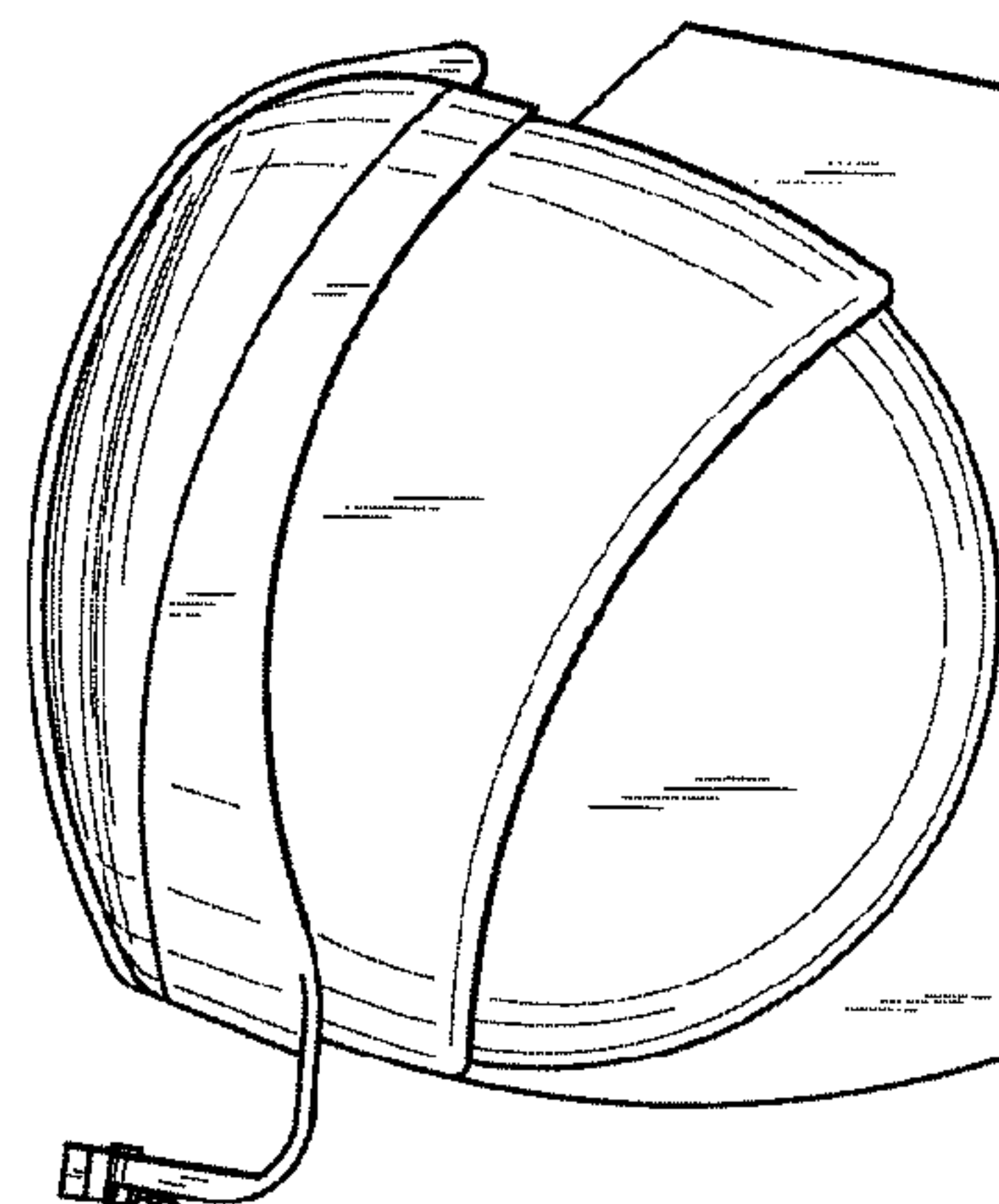


FIG. 4

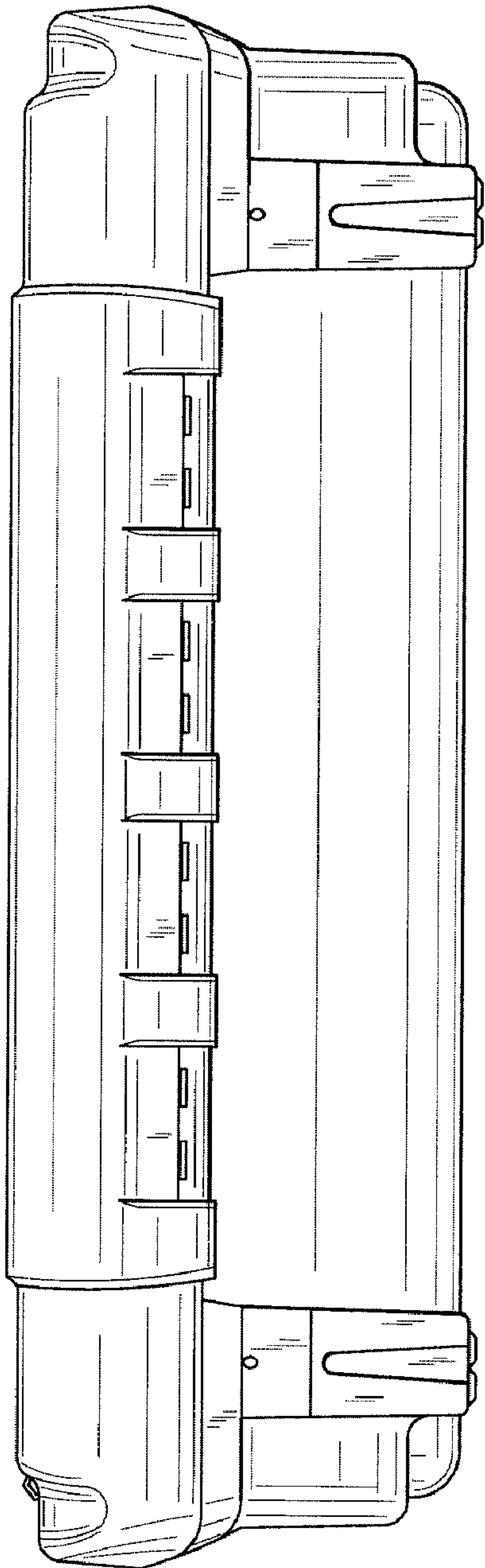


FIG. 5

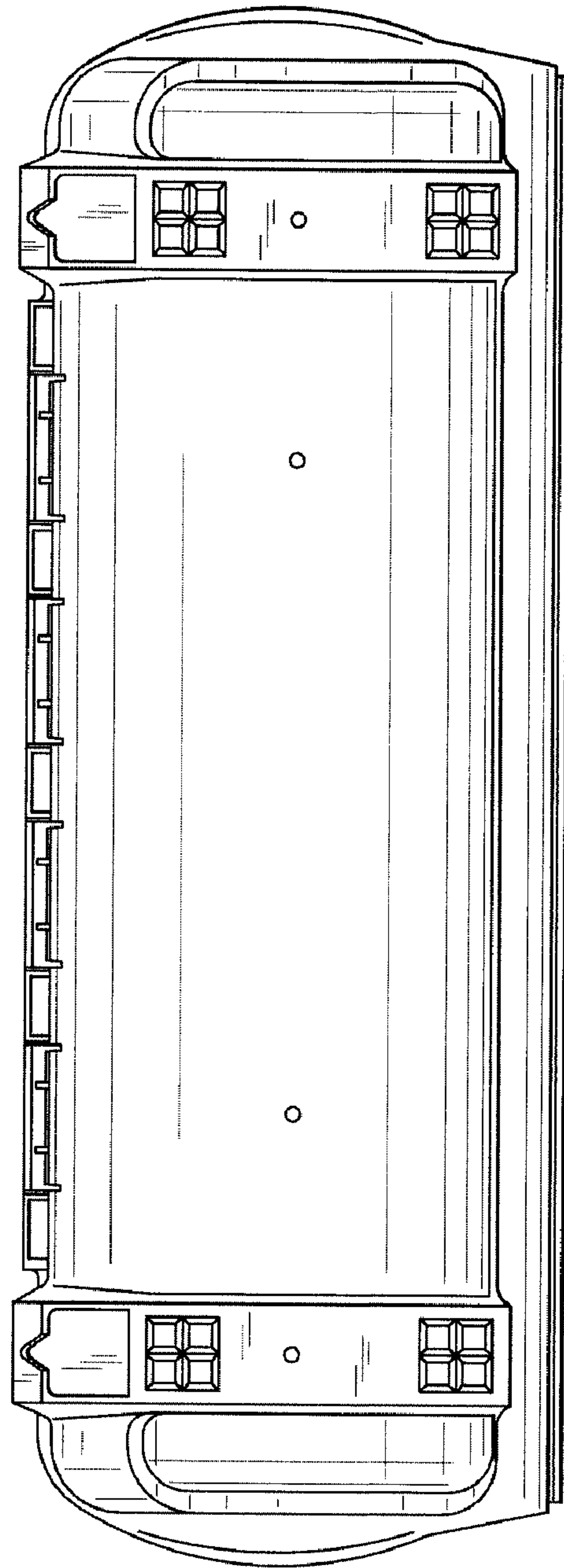


FIG. 6