



US00D625535S

(12) **United States Design Patent**  
**Cattacin et al.**

(10) **Patent No.:** **US D625,535 S**  
(45) **Date of Patent:** **\*\* Oct. 19, 2010**

(54) **PAPER DISPENSER**

(75) Inventors: **Gilles Cattacin**, Colmar (FR); **Nicolas Pommier**, Balgau (FR); **Yoann Denis**, Selestat (FR)

(73) Assignee: **Georgia-Pacific France** (FR)

(\*\*) Term: **14 Years**

(21) Appl. No.: **29/316,134**

(22) Filed: **Aug. 26, 2009**

(30) **Foreign Application Priority Data**

Mar. 26, 2009 (EM) ..... 001114946

(51) **LOC (9) Cl.** ..... **20-02**

(52) **U.S. Cl.** ..... **D6/518**

(58) **Field of Classification Search** ..... D6/515,  
D6/518-523; D32/201; 206/389, 391, 407,  
206/409; 312/34.1, 34.8; 211/16, 85.5, 59.2;  
221/92, 97, 185, 282, 284; 242/159, 160.2,  
242/550, 560, 590, 595, 588, 598, 598.3,  
242/598.6

See application file for complete search history.

(56) **References Cited**

**U.S. PATENT DOCUMENTS**

- 2,943,777 A 7/1960 Dvoracek
- 3,973,695 A 8/1976 Ames
- 5,215,211 A 6/1993 Eberle
- D351,520 S \* 10/1994 Frazier et al. .... D6/523
- D356,707 S 3/1995 Morand
- D358,516 S \* 5/1995 Chen ..... D6/523
- D363,628 S 10/1995 McCanless
- D386,922 S 12/1997 Sedlock
- 5,785,274 A 7/1998 Johnson
- D399,084 S 10/1998 Tramontina
- D403,905 S 1/1999 Tramontina
- D426,412 S 6/2000 Cameron
- 6,109,473 A 8/2000 Neveu et al.
- D436,774 S 1/2001 Engelstein et al.
- D441,231 S 5/2001 Purcell et al.

- D441,578 S 5/2001 Andersson
- D443,778 S \* 6/2001 Andersson ..... D6/518
- 6,328,252 B1 12/2001 Neveu et al.
- D458,490 S 6/2002 Omdoll et al.
- 7,275,672 B2 10/2007 Haen et al.
- 7,287,720 B1 10/2007 Allegre et al.
- D557,959 S \* 12/2007 Pommier et al. .... D6/523
- 7,370,826 B2 5/2008 Neveu

(Continued)

**FOREIGN PATENT DOCUMENTS**

FR 2761252 A1 10/1998

(Continued)

**OTHER PUBLICATIONS**

International Search Report for PCT/FR2005/001882, mail date Dec. 29, 2005.

(Continued)

*Primary Examiner*—Brian N Vinson  
(74) *Attorney, Agent, or Firm*—Joel T. Charlton

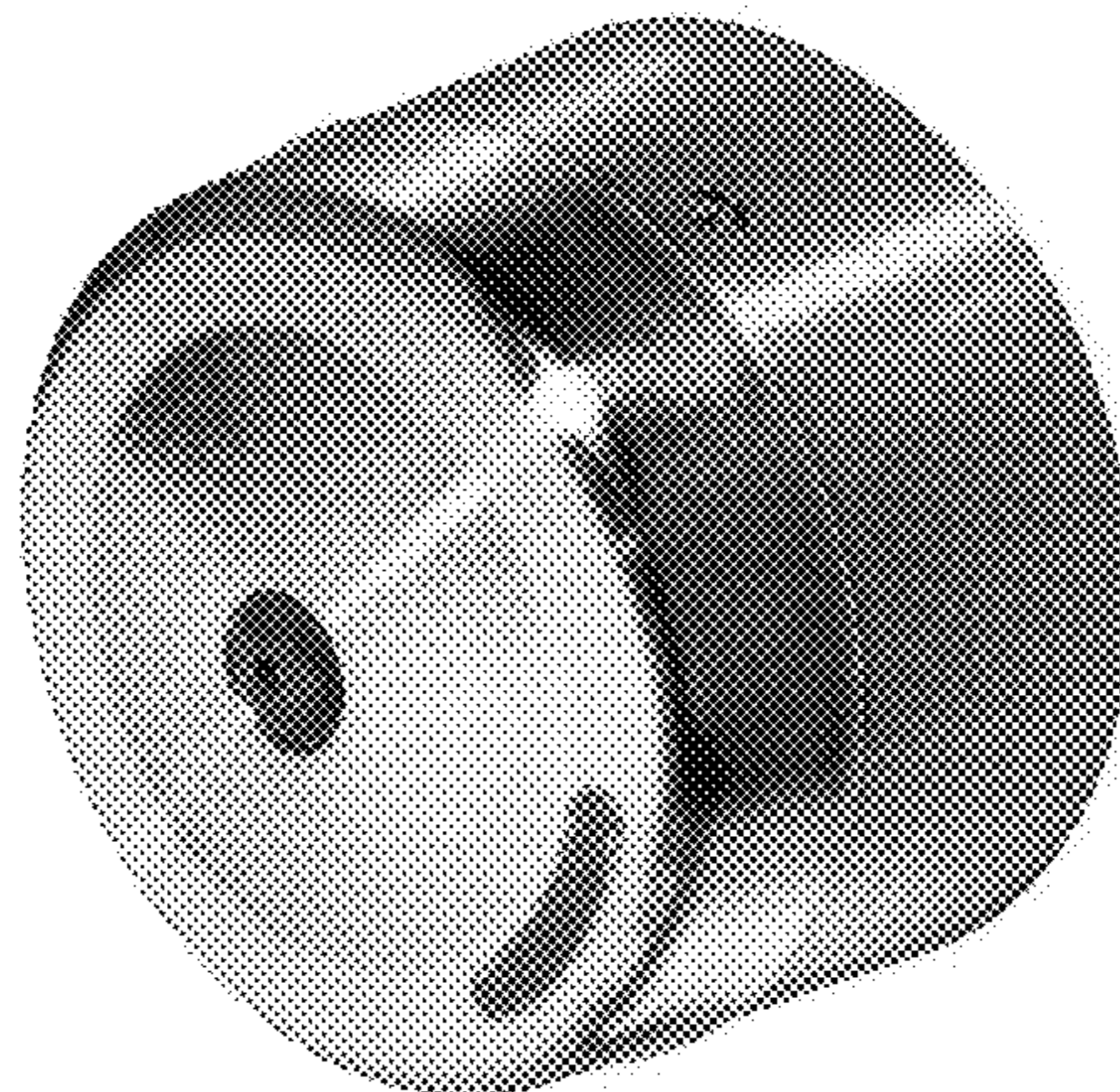
(57) **CLAIM**

The ornamental design for a paper dispenser, as shown and described.

**DESCRIPTION**

FIG. 1 is a front elevational view of a paper dispenser showing our new design;  
FIG. 2 is a top, front, and right side perspective view thereof;  
FIG. 3 is a top plan view thereof;  
FIG. 4 is a left side elevational view thereof;  
FIG. 5 is a right side elevational view thereof;  
FIG. 6 is a bottom plan view thereof; and,  
FIG. 7 is a rear elevational view thereof.

**1 Claim, 7 Drawing Sheets**



# US D625,535 S

Page 2

---

## U.S. PATENT DOCUMENTS

D613,538 S \* 4/2010 Cattacin et al. .... D6/523  
D615,331 S \* 5/2010 Meyerhoffer ..... D6/523  
2003/0066925 A1 4/2003 Gerhardt et al.  
2008/0128448 A1 6/2008 Cittadino et al.  
2008/0173661 A1 7/2008 Neveu  
2008/0283546 A1 11/2008 Neveu et al.

## FOREIGN PATENT DOCUMENTS

GB 2063213 A 6/1981

GB 2308114 A 6/1997

## OTHER PUBLICATIONS

International Search Report for PCT/FR2006/002473 that issued Apr. 18, 2007.

Written Opinion of the International Search Authority for PCT/FR2005/001882 together with an English translation.

Written Opinion of the International Search Authority for PCT/FR2006/002473 together with an English translation.

Unpublished U.S. Appl. No. 29/314,461, filed Apr. 2, 2009.

\* cited by examiner



FIG 1

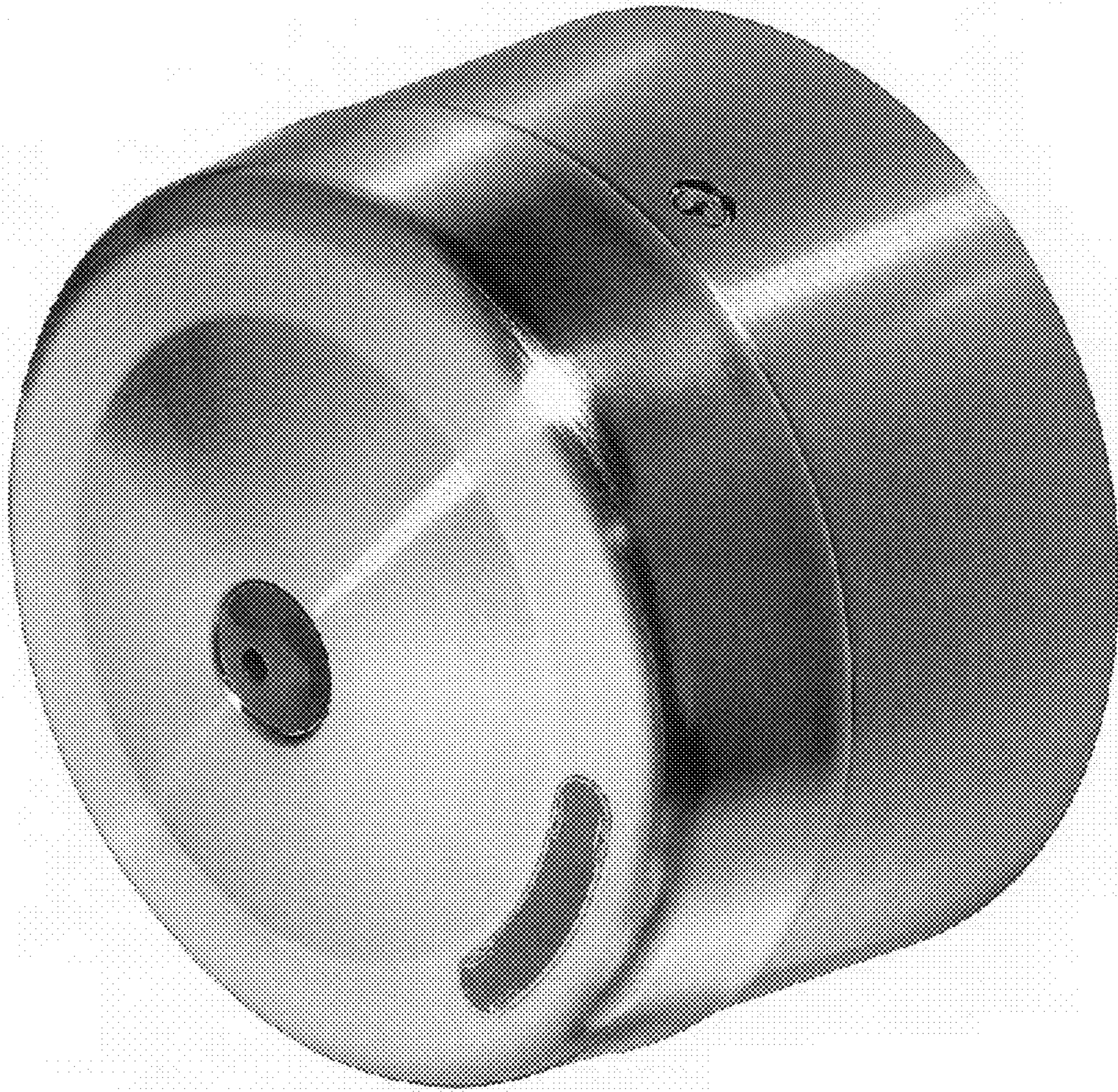


FIG 2



FIG 3

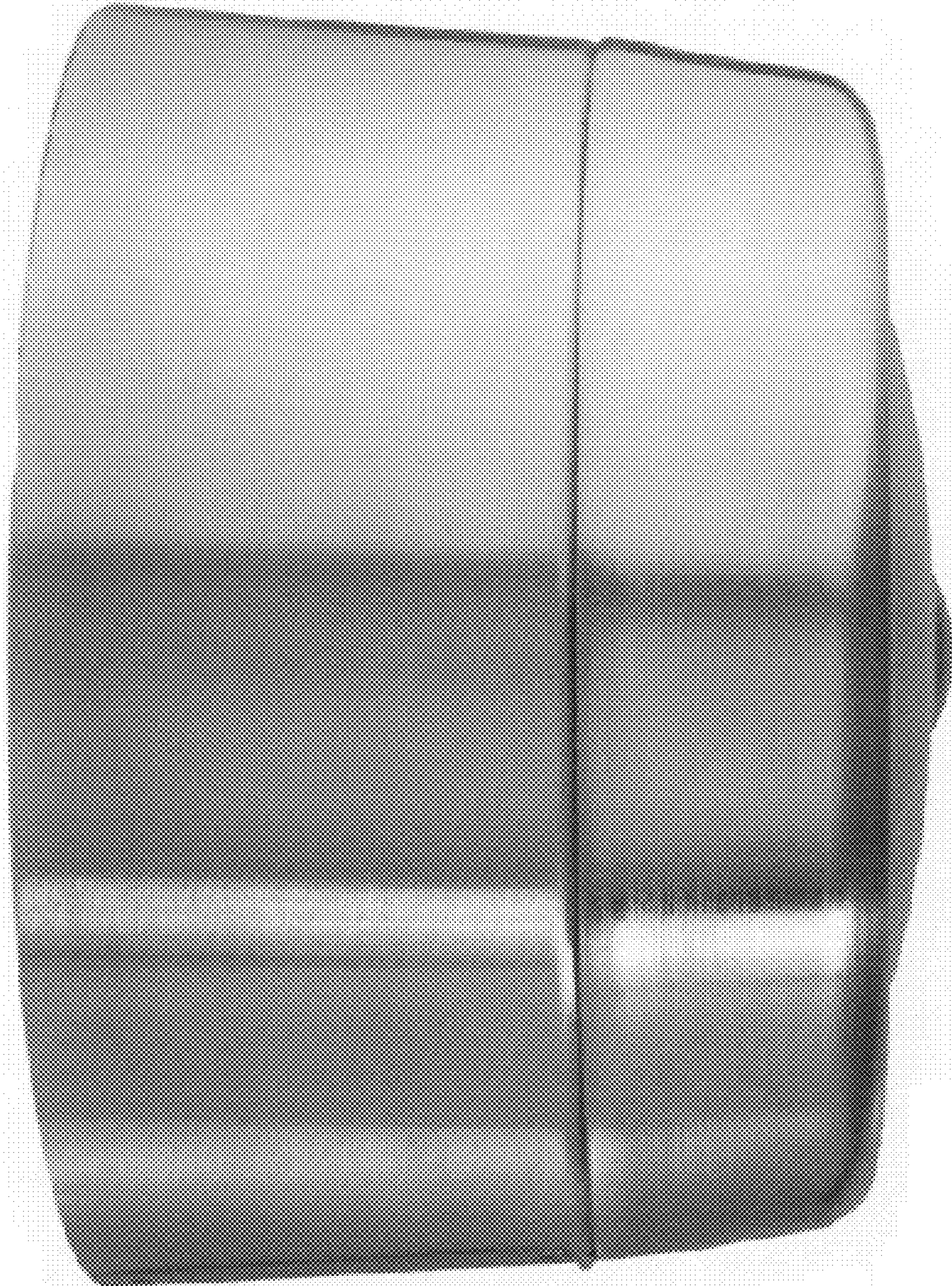


FIG 4

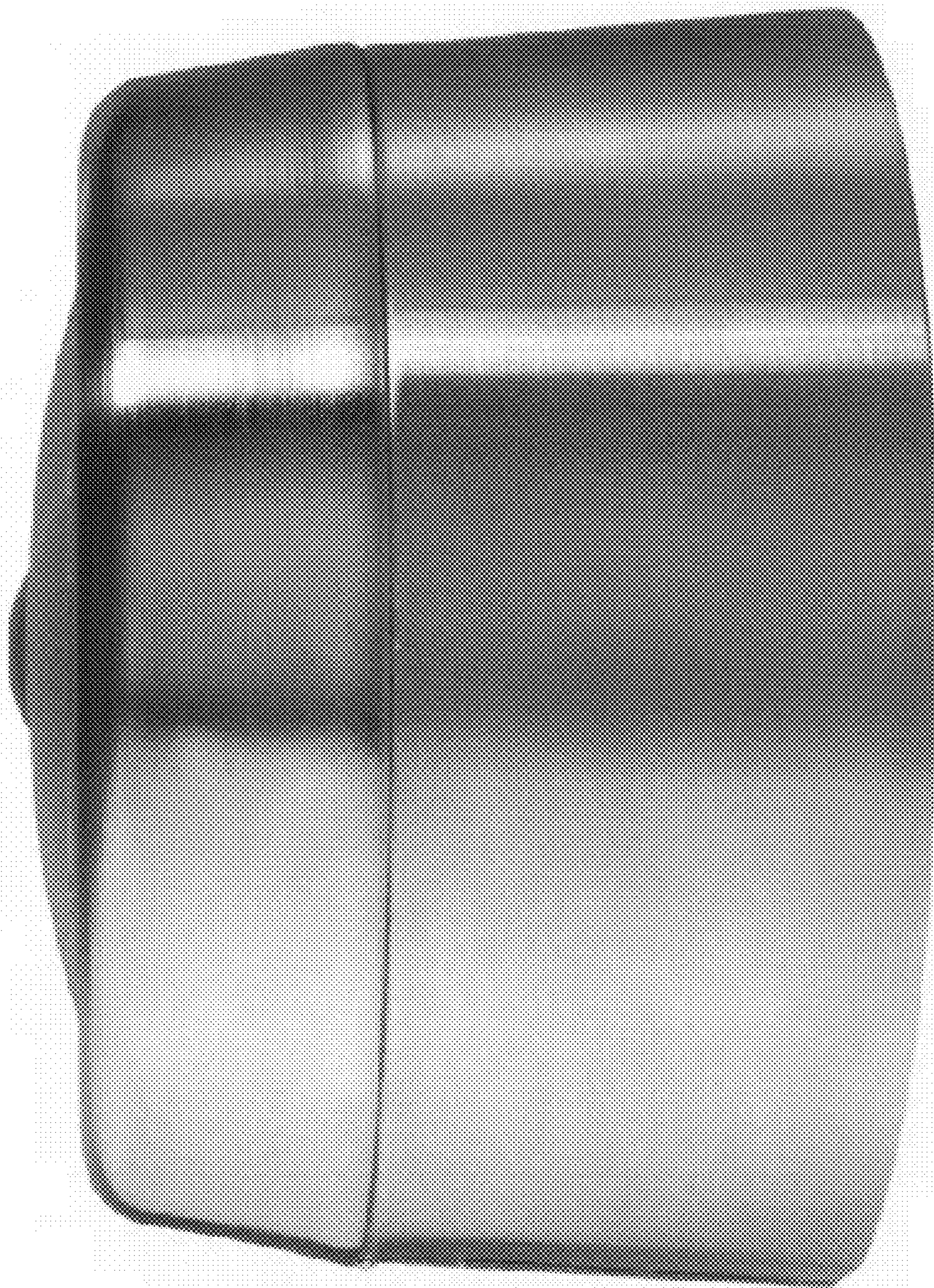


FIG 5

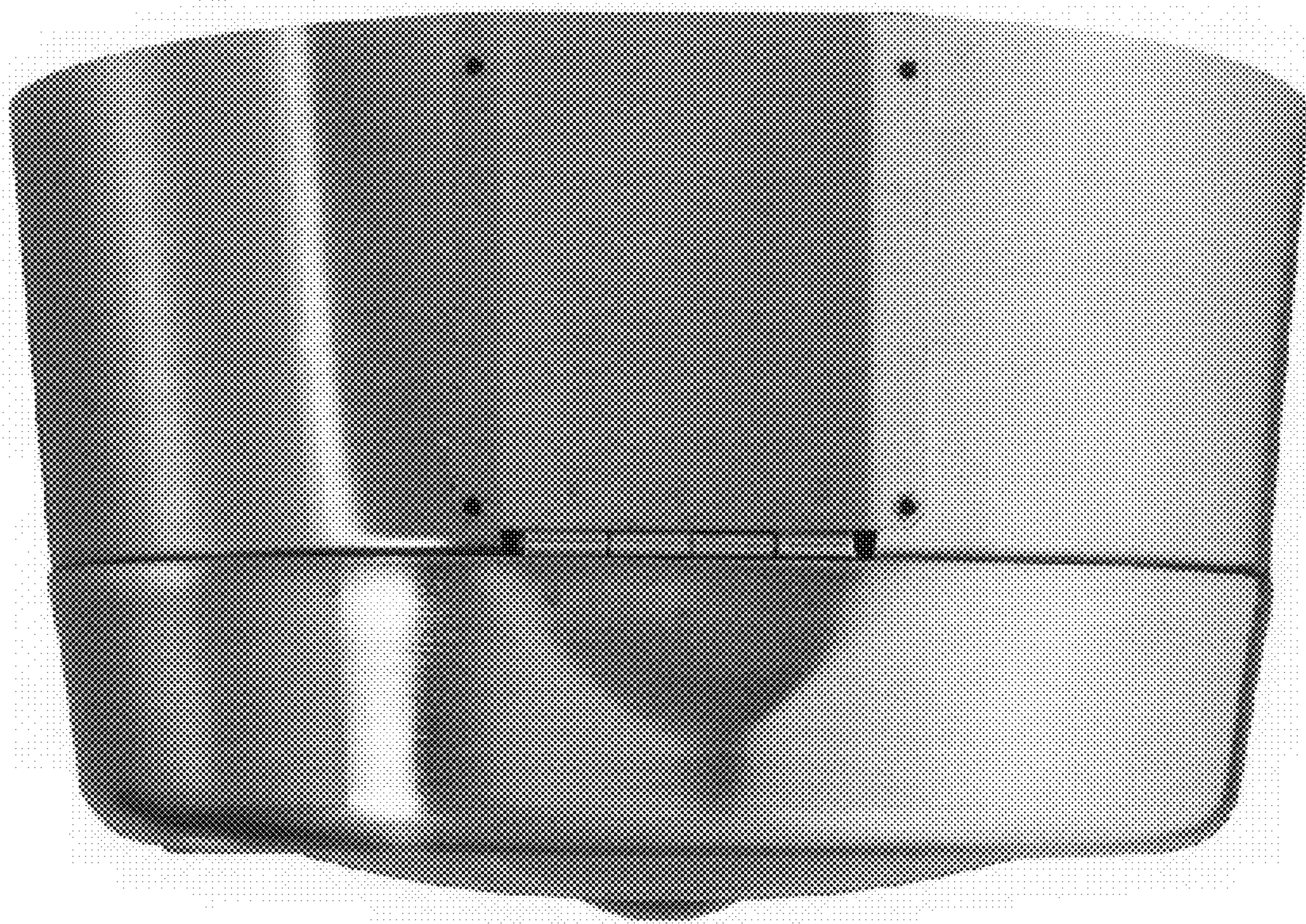


FIG 6



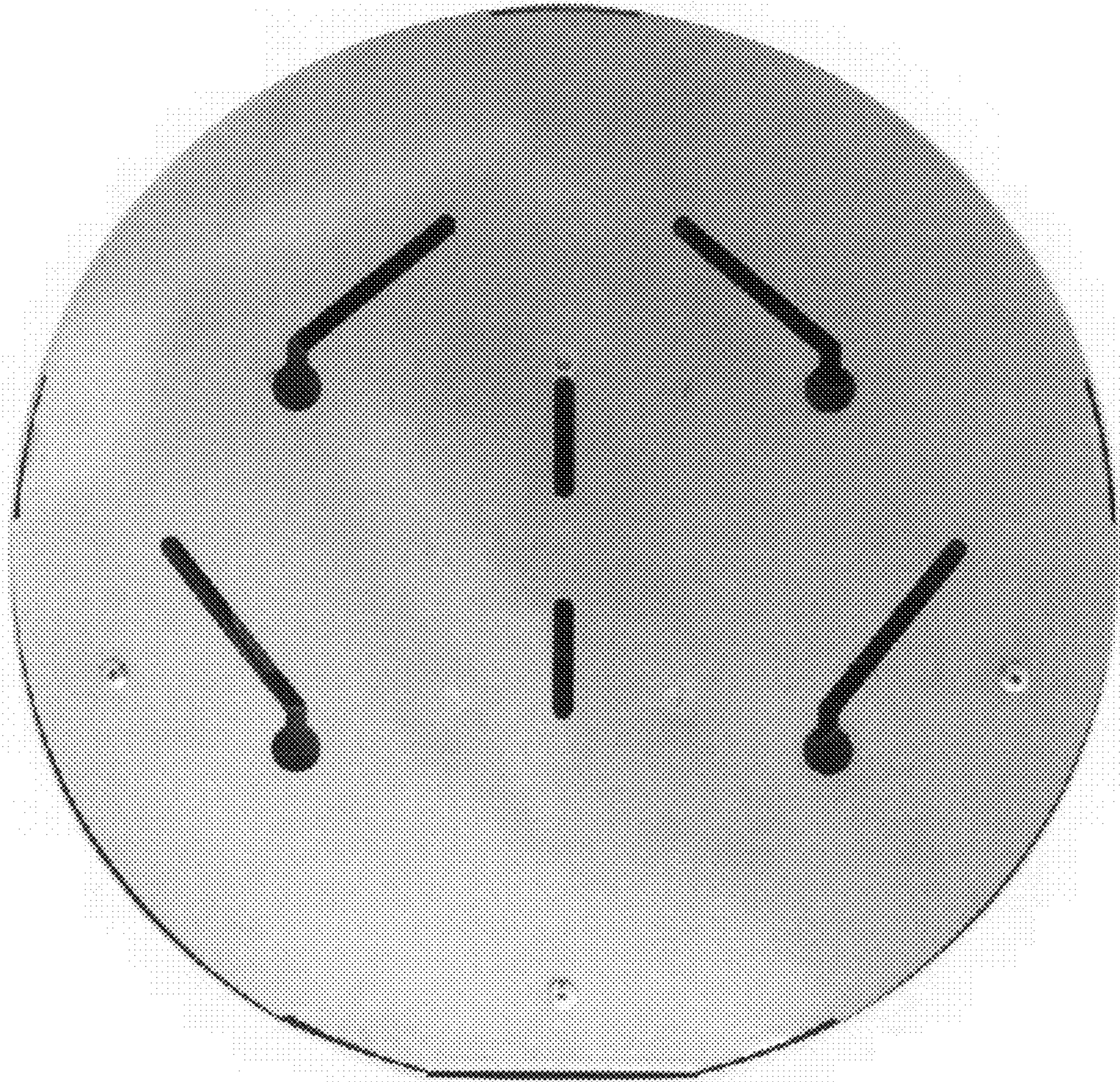


FIG 7