



US00D625533S

(12) **United States Design Patent**
Goldberg

(10) **Patent No.:** **US D625,533 S**

(45) **Date of Patent:** **** *Oct. 19, 2010**

(54) **SHOP DESK WITH HUTCH**

D606,785 S * 12/2009 Goldberg D6/511
D611,279 S * 3/2010 Goldberg D6/511

(75) Inventor: **Mark A. Goldberg**, Lido Beach, NY
(US)

FOREIGN PATENT DOCUMENTS

JP 404005910 A 1/1992

(73) Assignee: **Global Equipment Company, Inc.**, Port
Washington, NY (US)

* cited by examiner

(*) Notice: This patent is subject to a terminal dis-
claimer.

Primary Examiner—Janice E Seeger

(74) *Attorney, Agent, or Firm*—Davidoff Malito & Hutcher
LLP

(**) Term: **14 Years**

(57) **CLAIM**

(21) Appl. No.: **29/336,205**

The ornamental design for shop desk with hutch, as shown
and described.

(22) Filed: **Apr. 29, 2009**

Related U.S. Application Data

DESCRIPTION

(63) Continuation of application No. 11/360,228, filed on
Feb. 23, 2006, now Pat. No. 7,641,294.

FIG. 1 is an isometric view of a shop desk with hutch, with the
hutch in an upside down forward orientation, front position-
ing on an underside of the shop desk.

(51) **LOC (9) Cl.** **06-06**

(52) **U.S. Cl.** **D6/511**

FIG. 2 is an isometric view of the shop desk with hutch of
FIG. 1, that is horizontally rotated 90° from the angle of the
shop desk and the with hutch shown in FIG. 1.

(58) **Field of Classification Search** D6/510,
D6/511, 420-426, 491; 312/194-196, 330.1;
108/50.01, 50.02, 60

See application file for complete search history.

FIG. 3 is a front view of the shop desk with hutch of FIGS. 1
and 2.

(56) **References Cited**

U.S. PATENT DOCUMENTS

688,104 A 12/1901 Lohrman
D157,078 S 1/1950 Nemes
2,903,316 A 9/1959 Schmidt
4,870,630 A 9/1989 Blake
4,905,609 A 3/1990 Haskins
D318,961 S * 8/1991 Edelson D6/406.4
D351,079 S * 10/1994 Brown D6/510
6,840,180 B2 1/2005 Ulmer

FIG. 4 is a top plan view of the shop desk with hutch of FIGS.
1 and 2.

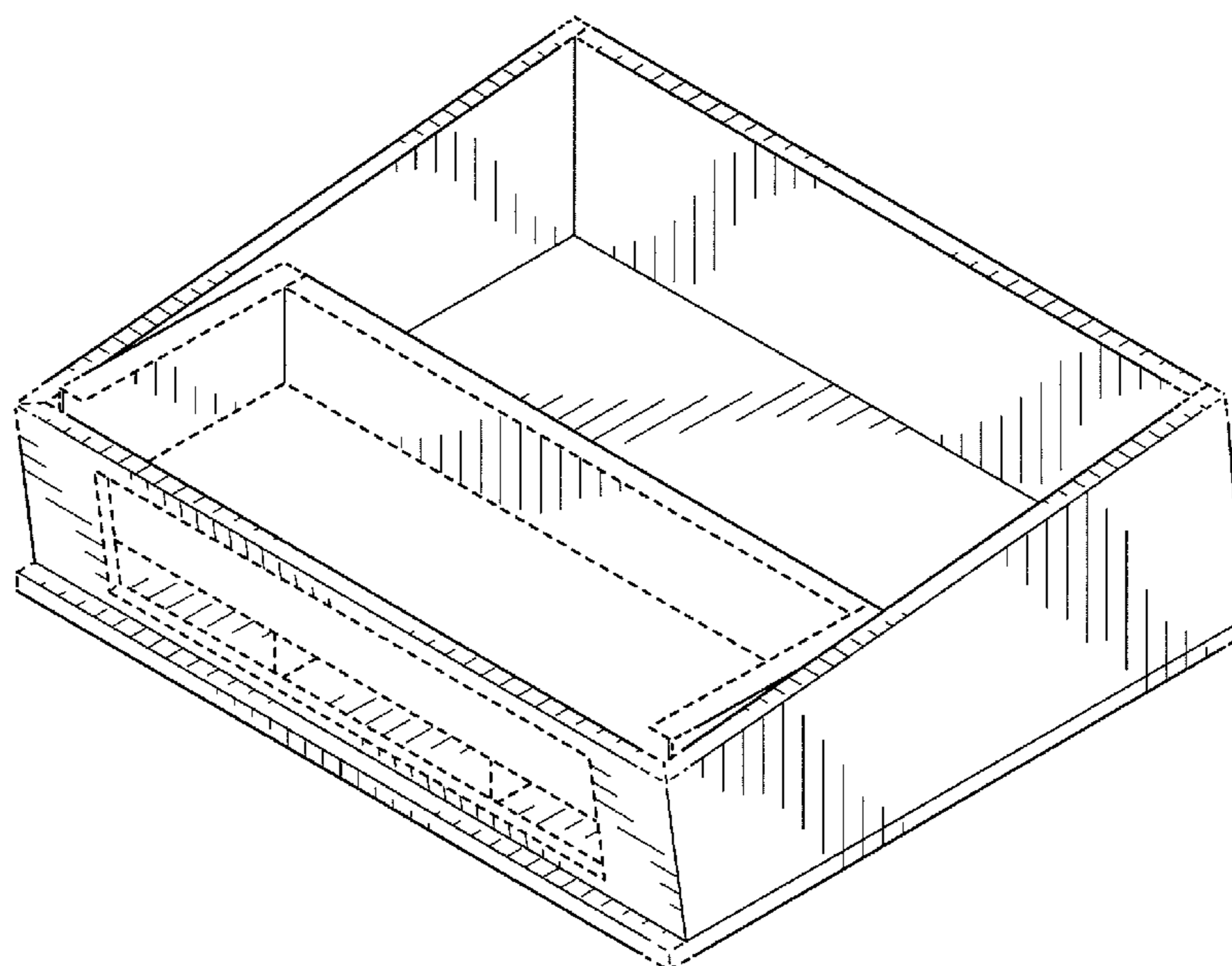
FIG. 5 is a right side view of the shop desk with hutch of
FIGS. 1 and 2 that is symmetric to the left side view thereof.

FIG. 6 is a rear view of the shop desk with hutch of FIGS. 1
and 2; and,

FIG. 7 is a bottom plan view of the shop desk with hutch of
FIGS. 1 and 2.

The broken lines form no part of the claimed design.

1 Claim, 6 Drawing Sheets



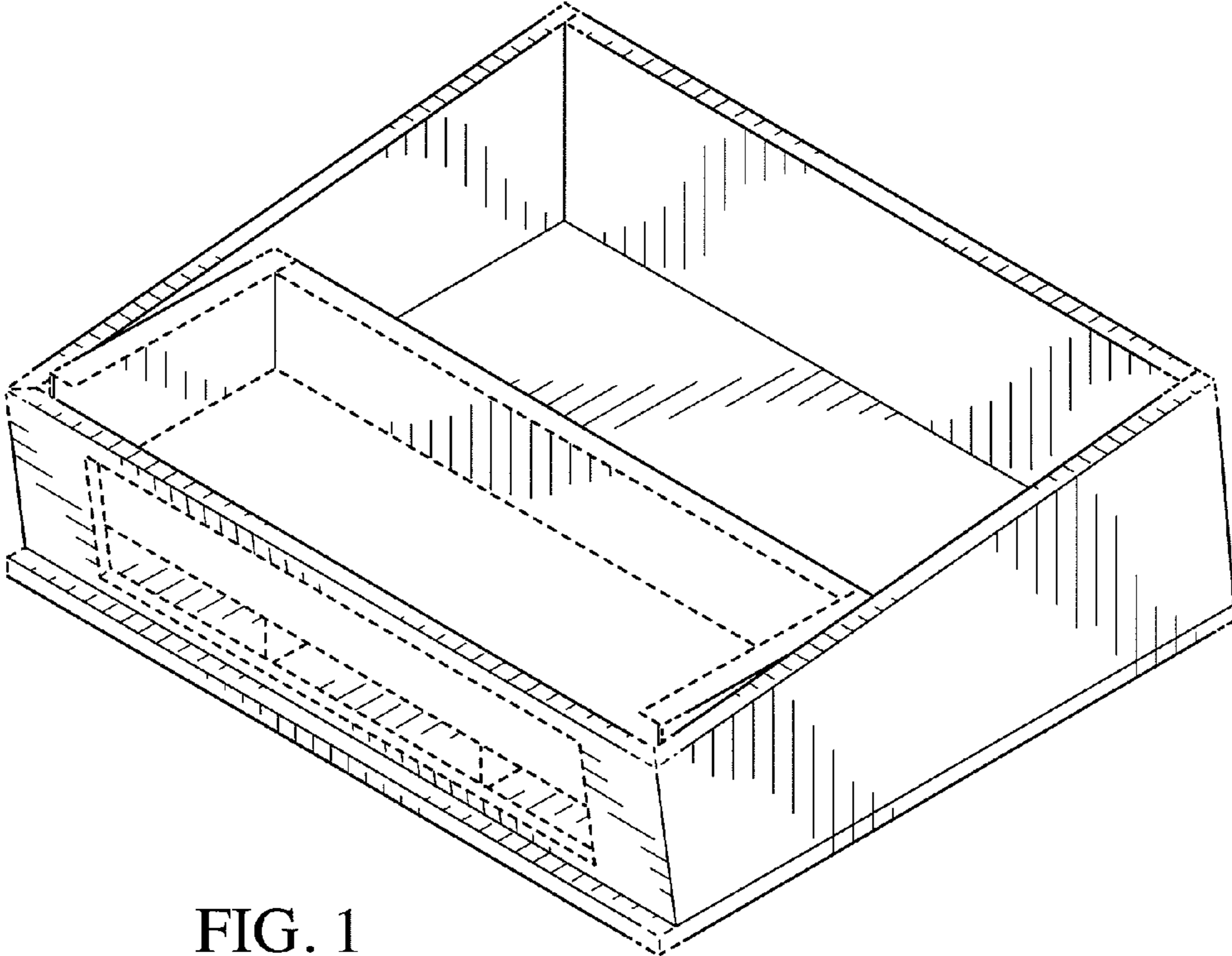


FIG. 1

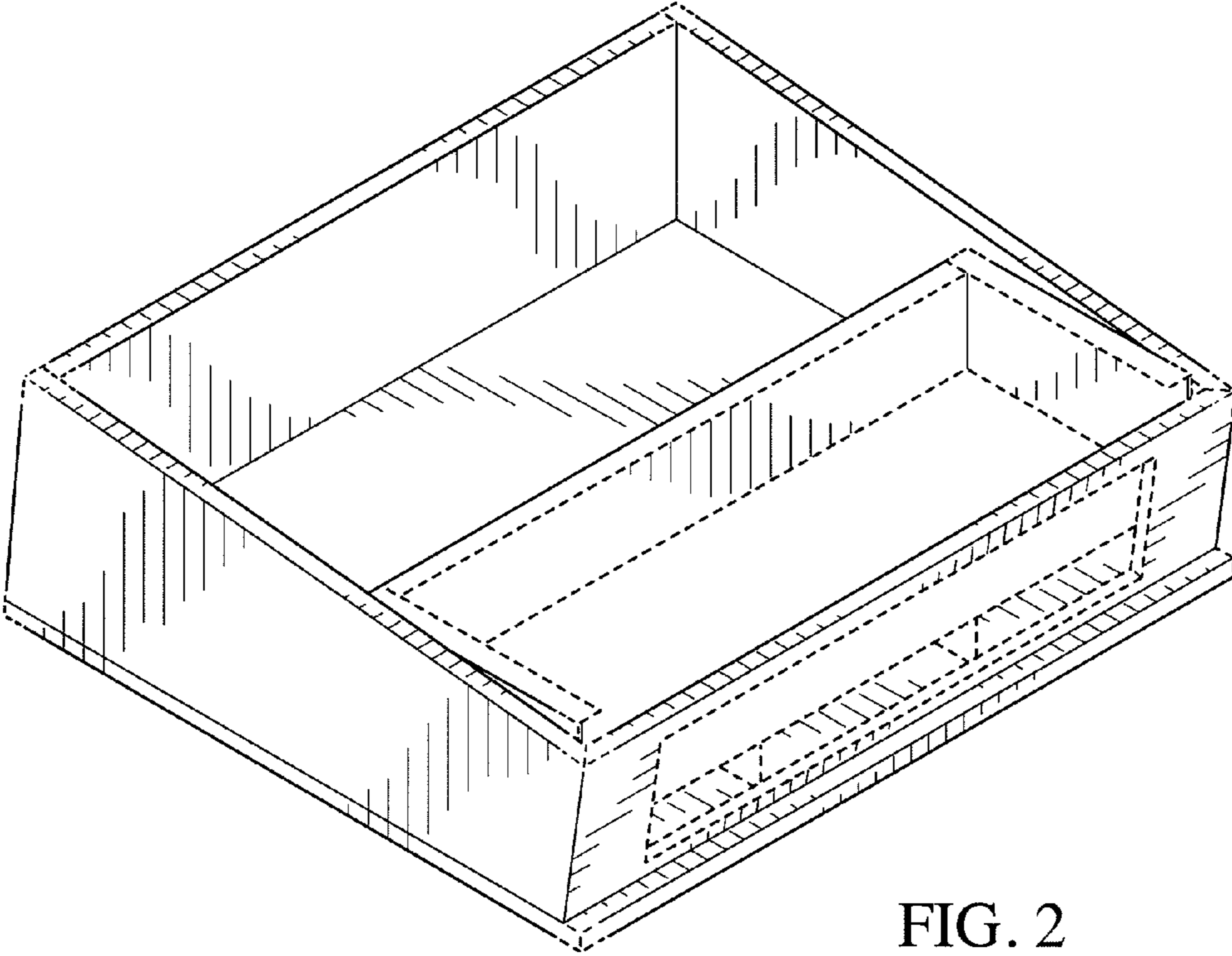


FIG. 2

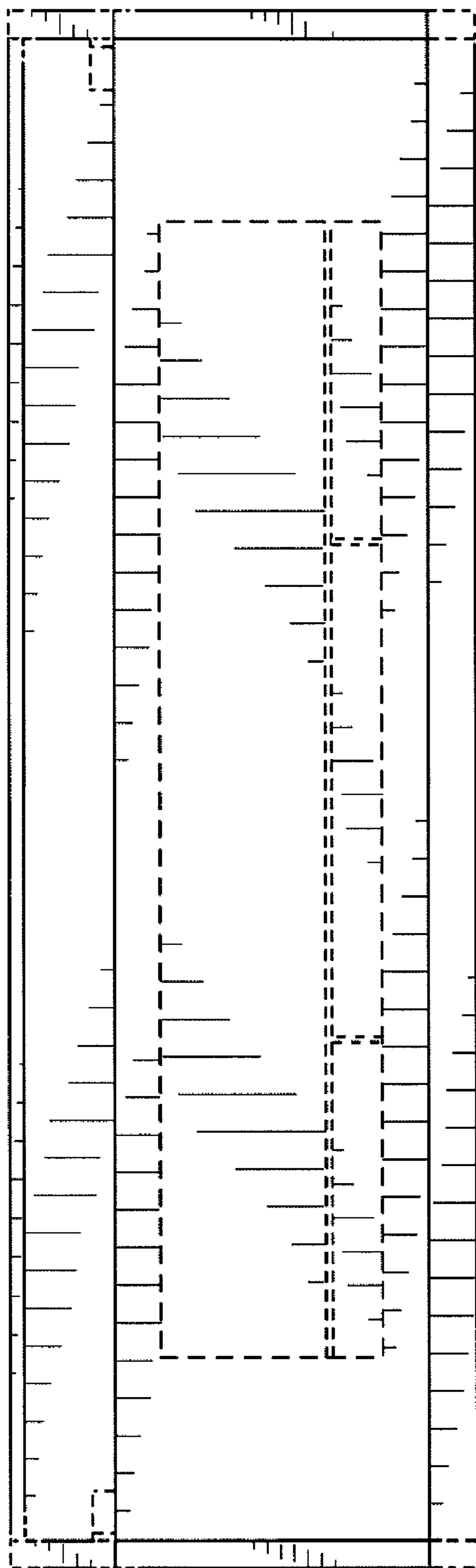


FIG. 3

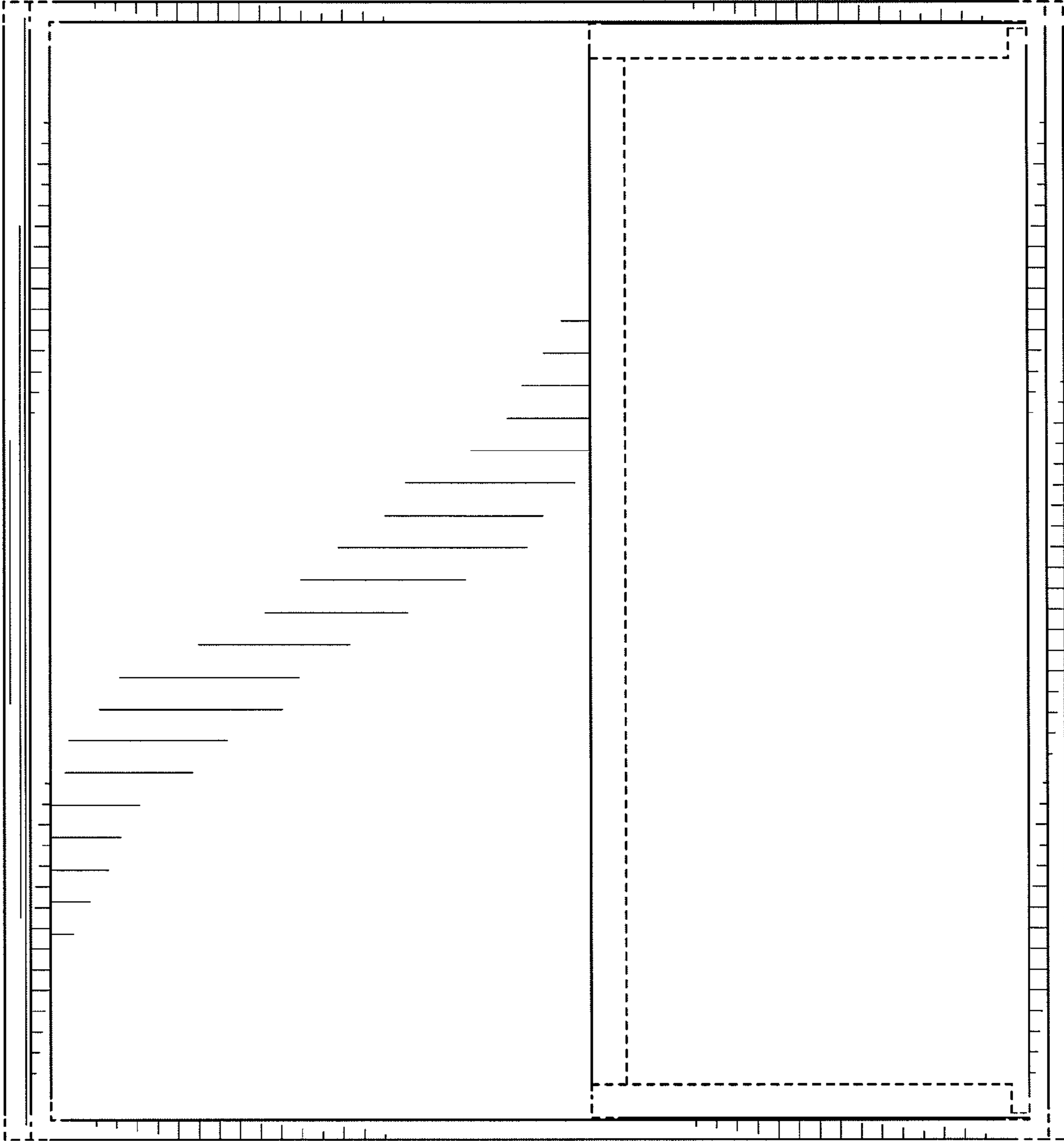


FIG. 4

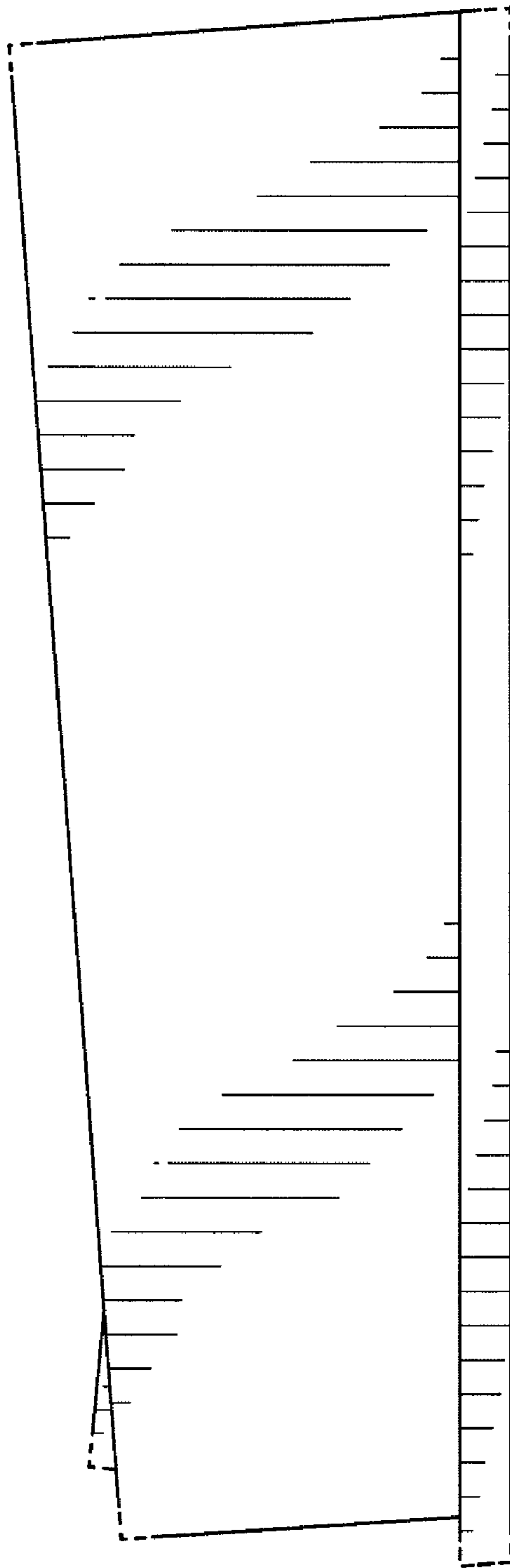


FIG. 5

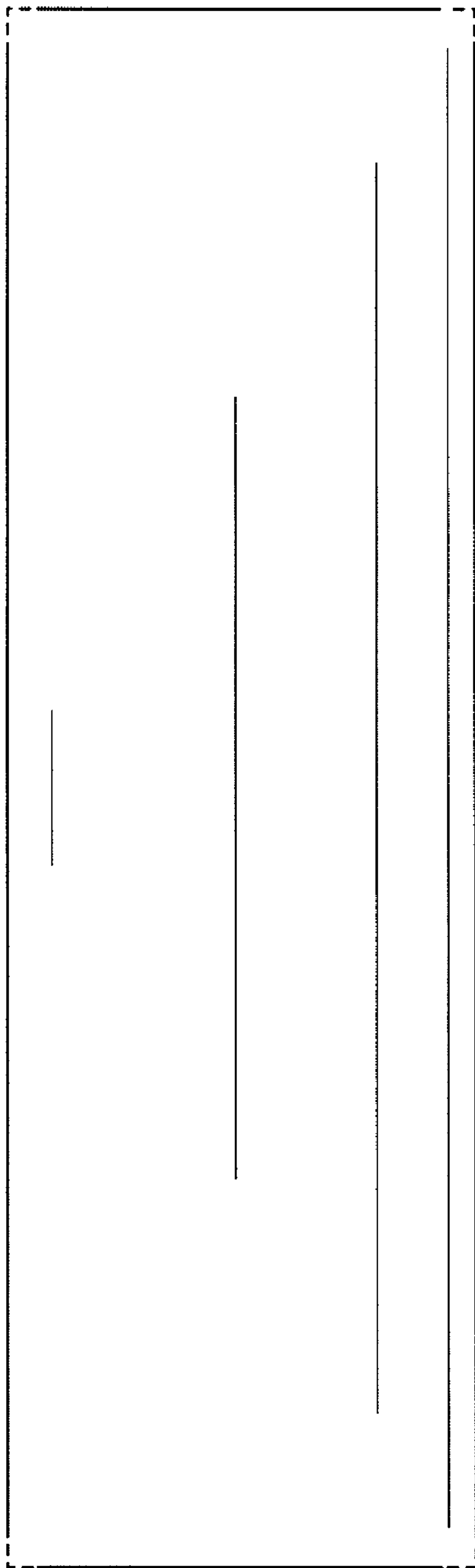


FIG. 6

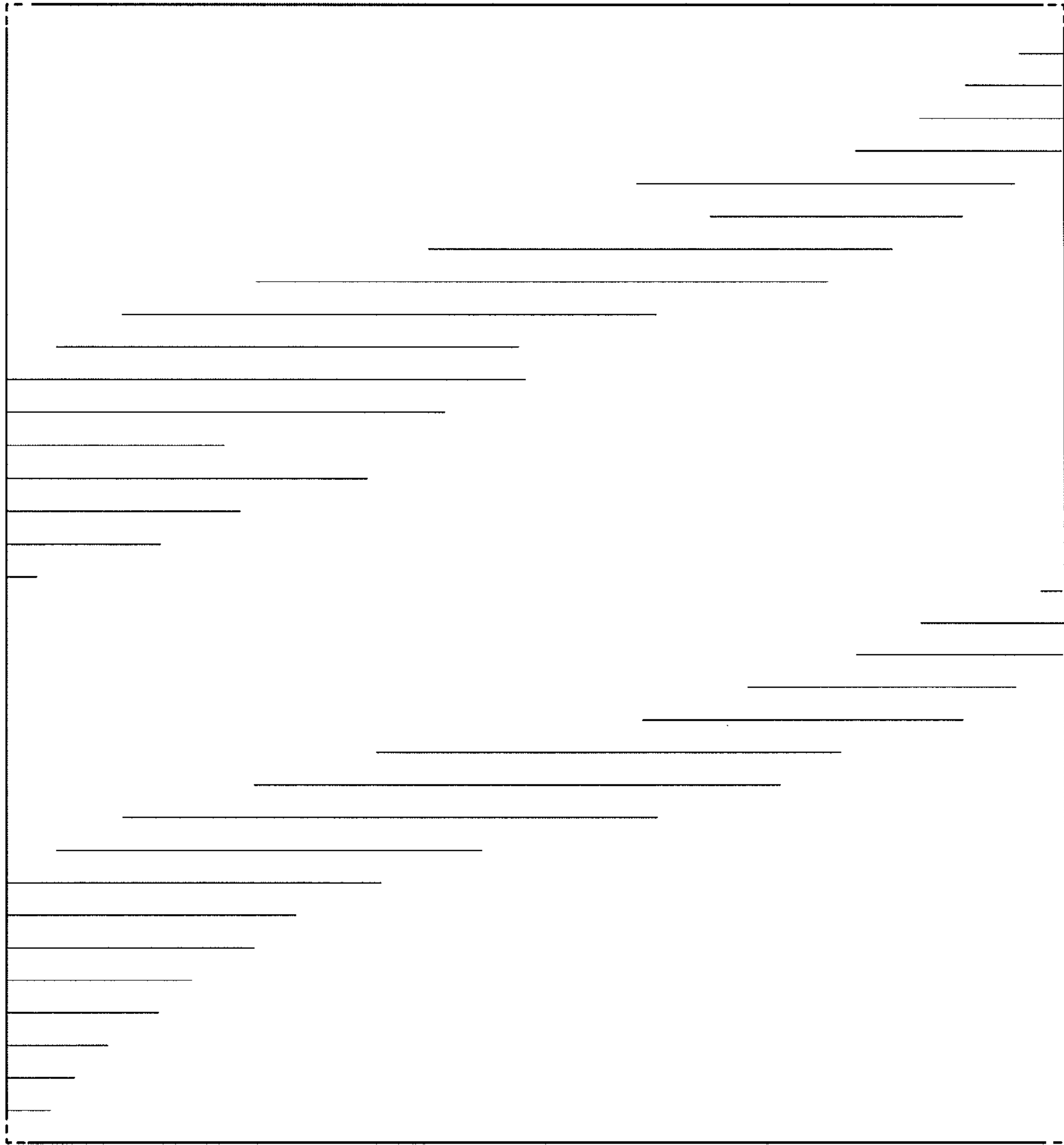


FIG. 7