

US00D625532S

(12) **United States Design Patent**
Cox et al.

(10) **Patent No.:** **US D625,532 S**
(45) **Date of Patent:** **** Oct. 19, 2010**

- (54) **DESK**
- (75) Inventors: **Lewis Dorsey Cox**, Leeds, AL (US);
Mack Daniel Westbrook, Troy, TX (US)
- (73) Assignee: **Artco-Bell Corporation**, Temple, TX
(US)
- (**) Term: **14 Years**
- (21) Appl. No.: **29/349,342**
- (22) Filed: **Mar. 25, 2010**

4,085,736 A	4/1978	Kuechler	
4,247,216 A	1/1981	Pansini	
4,672,898 A	6/1987	Davidson	
5,107,775 A	4/1992	Langlais et al.	
5,556,181 A	9/1996	Bertrand	
6,079,894 A	6/2000	Obitts	
D427,804 S *	7/2000	Olson	D6/426
D473,399 S *	4/2003	Holbrook et al.	D6/428
D474,044 S *	5/2003	Holbrook et al.	D6/428
6,920,834 B1	7/2005	Pehta et al.	
7,066,676 B2	6/2006	Tsai	
D559,579 S *	1/2008	Bosman	D6/422
2004/0194678 A1	10/2004	Waner	
2008/0136296 A1	6/2008	Westbrook et al.	

Related U.S. Application Data

- (63) Continuation of application No. 11/603,532, filed on Nov. 22, 2006.

- (51) **LOC (9) Cl.** **06-06**
- (52) **U.S. Cl.** **D6/510**
- (58) **Field of Classification Search** D6/422,
D6/425-428, 480, 484, 509, 510, 338; 312/194-196,
312/208.1; 108/50.01, 50.02; 297/174 R
See application file for complete search history.

References Cited

U.S. PATENT DOCUMENTS

1,437,670 A	12/1922	Mazoch	
2,547,296 A	4/1951	White	
3,079,120 A	2/1963	Schwartz	
3,164,351 A	1/1965	Rembowski	
D200,911 S *	4/1965	Ginat	D6/428
3,426,367 A	2/1969	Bradford	
D216,710 S *	3/1970	Lambert	D6/428
3,604,369 A	9/1971	Maslow	
3,730,109 A	5/1973	Kreizel et al.	
3,864,048 A	2/1975	Parker	
3,865,050 A	2/1975	Cecchetti	

* cited by examiner

Primary Examiner—Janice E Seeger

(74) *Attorney, Agent, or Firm*—McDermott Will & Emery LLP

(57) **CLAIM**

We claim the ornamental design for a desk, as shown and described.

DESCRIPTION

FIG. 1 is a perspective view of a desk according to the new design;

FIG. 2 is a front view of the desk shown in FIG. 1;

FIG. 3 is a right side view of the desk shown in FIG. 1;

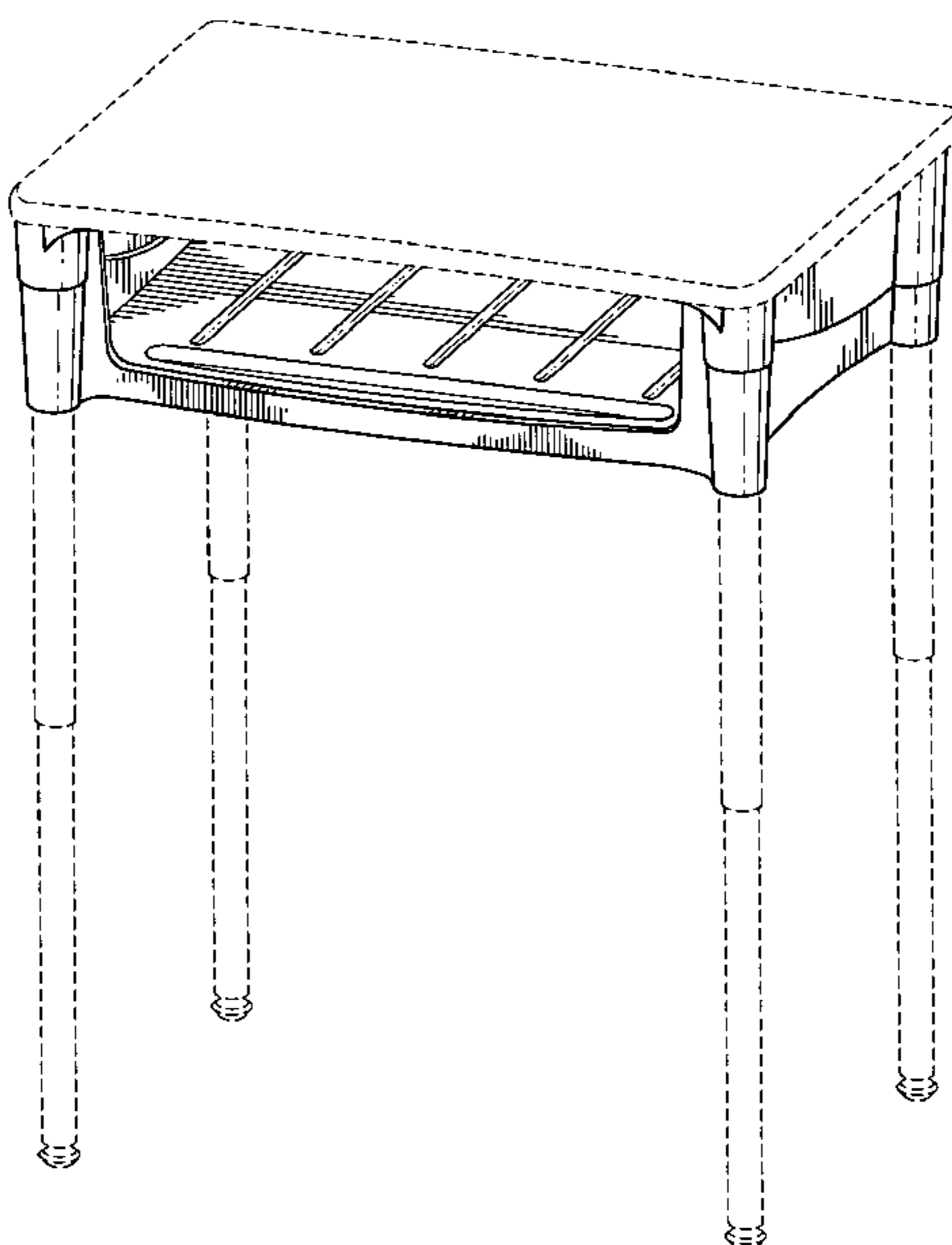
FIG. 4 is a left side view of the desk shown in FIG. 1;

FIG. 5 is a back view of the desk shown in FIG. 1; and,

FIG. 6 is a top view of the desk shown in FIG. 1.

Features shown in broken lines in the drawings are not part of the claim.

1 Claim, 4 Drawing Sheets



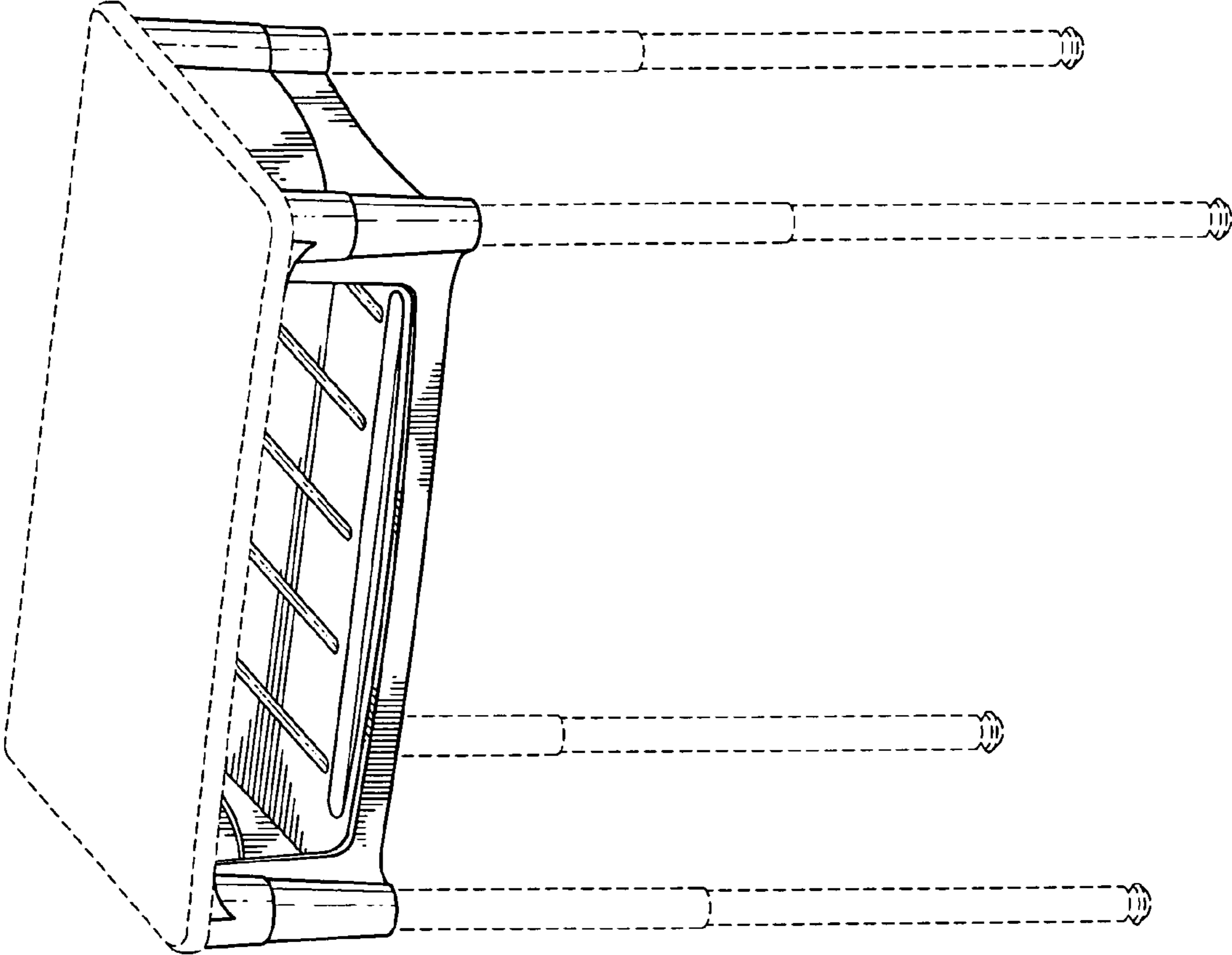


FIG. 1

FIG. 3

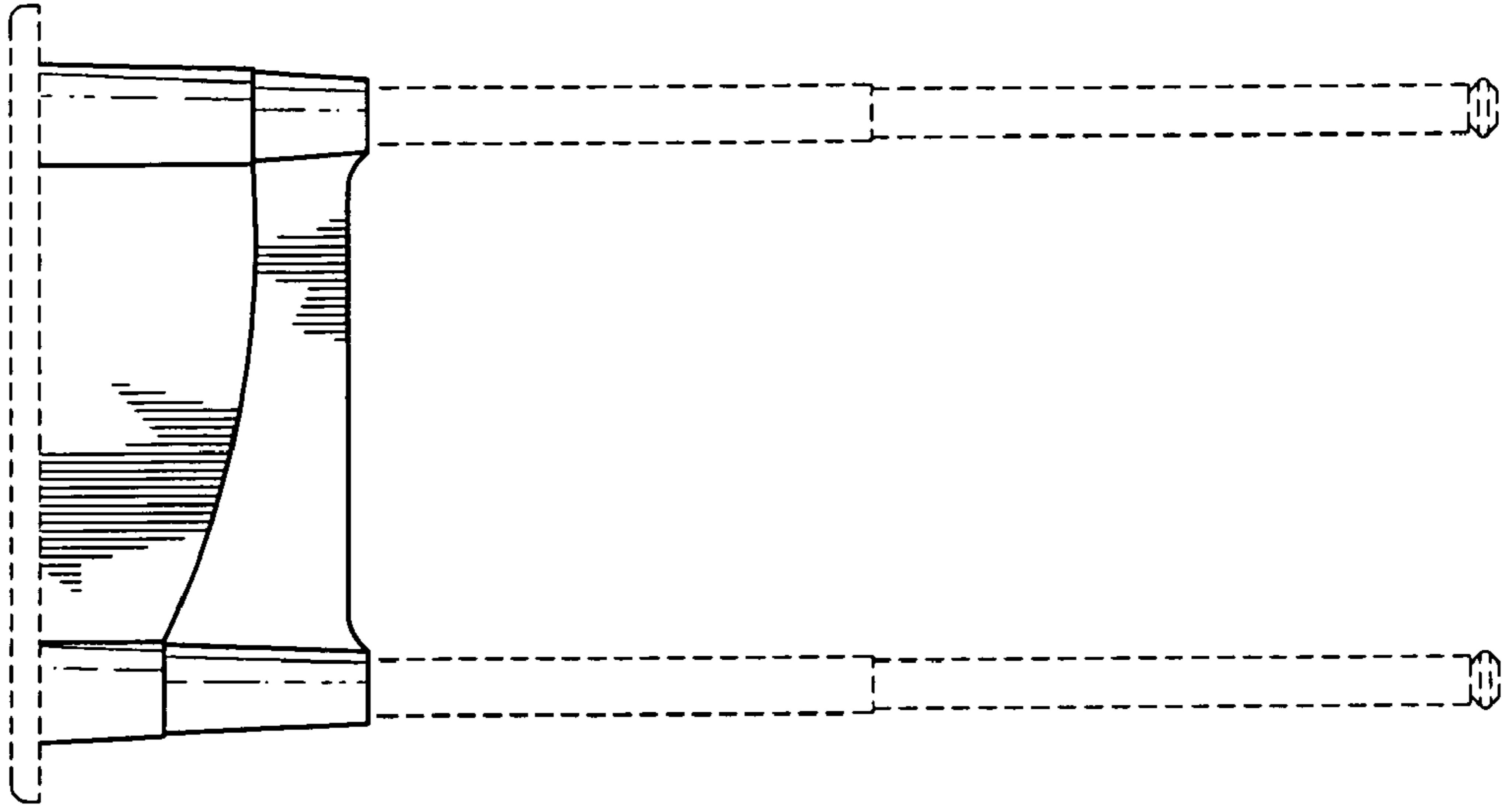


FIG. 2

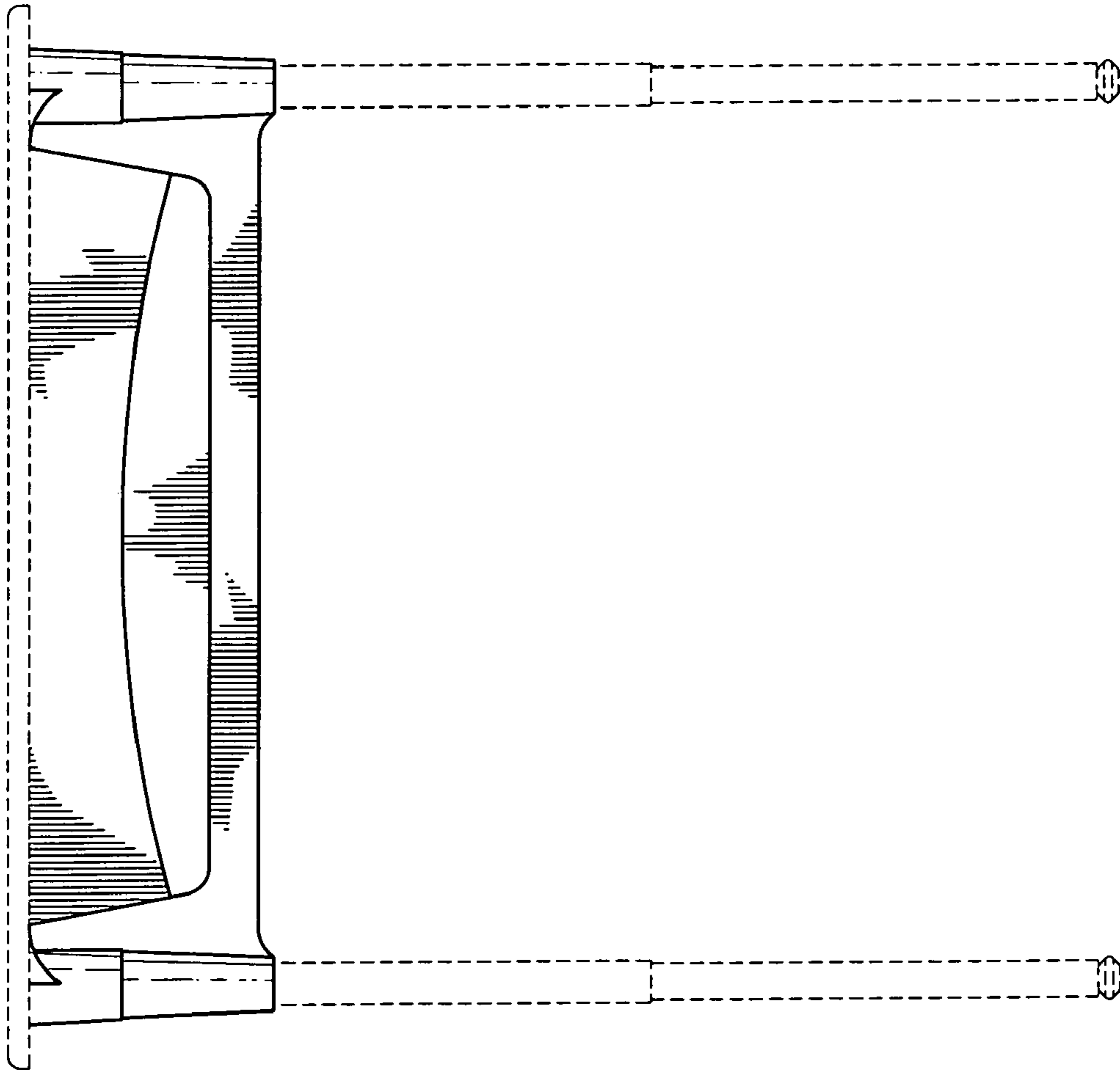


FIG. 5

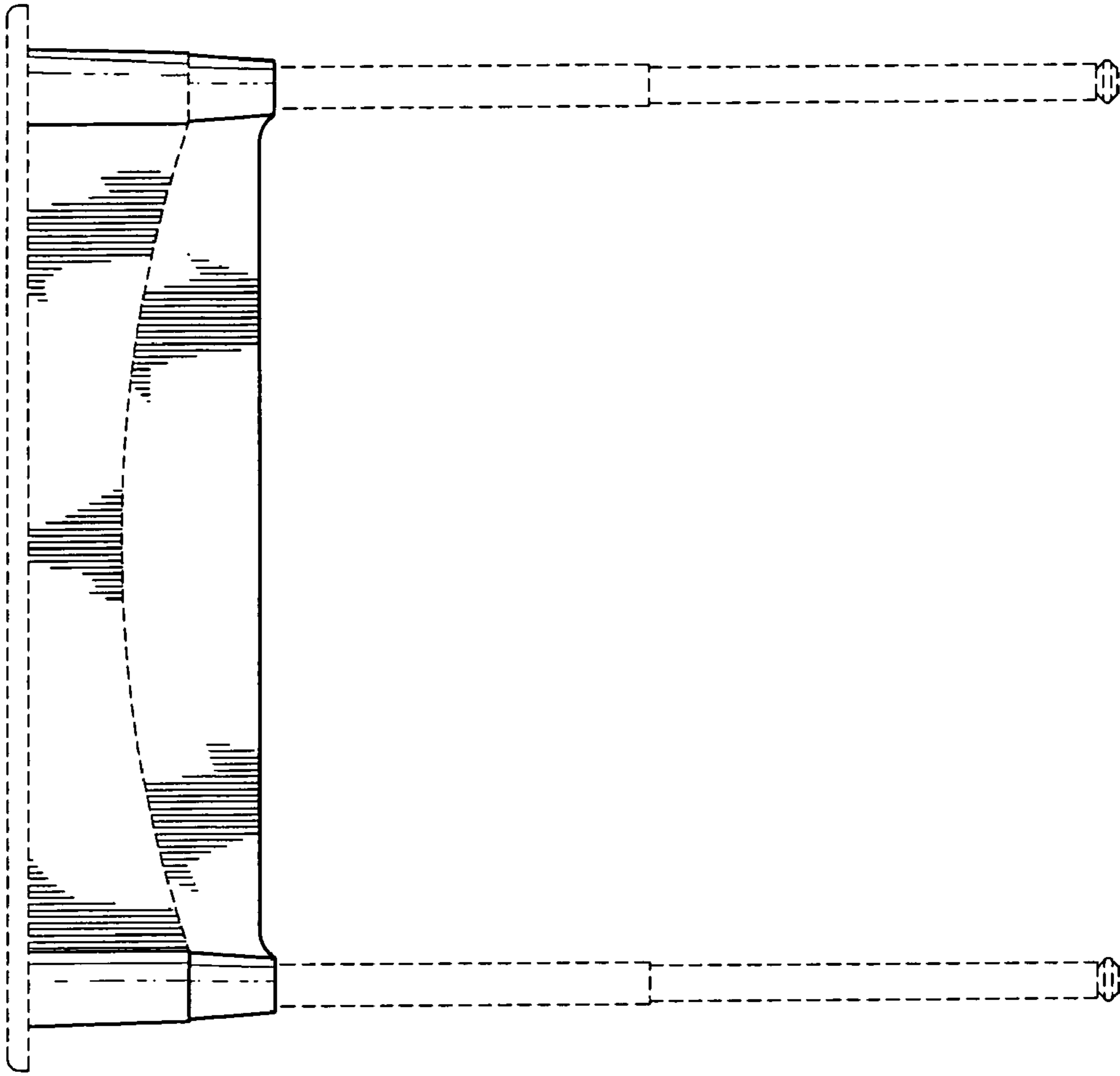
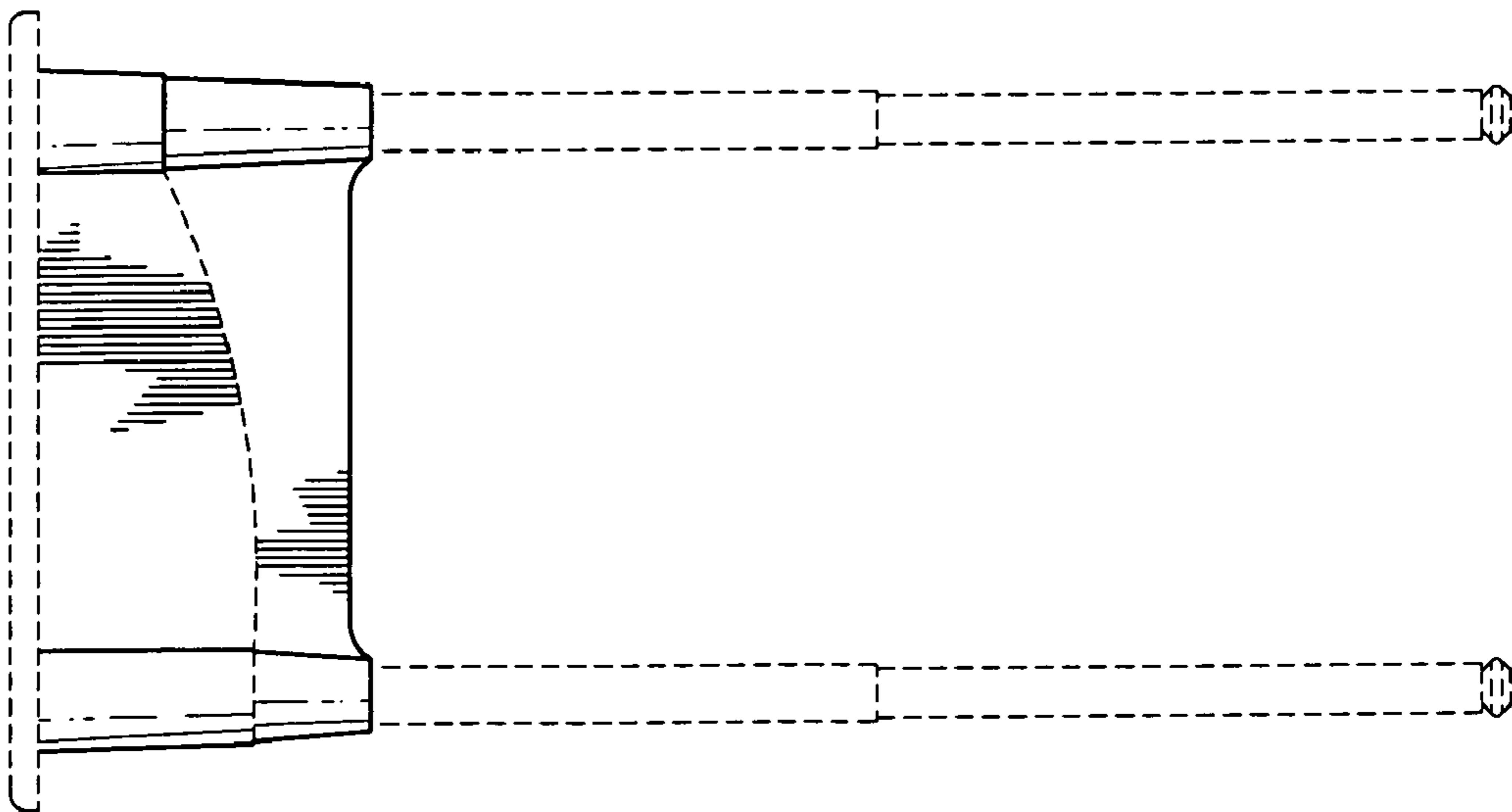


FIG. 4



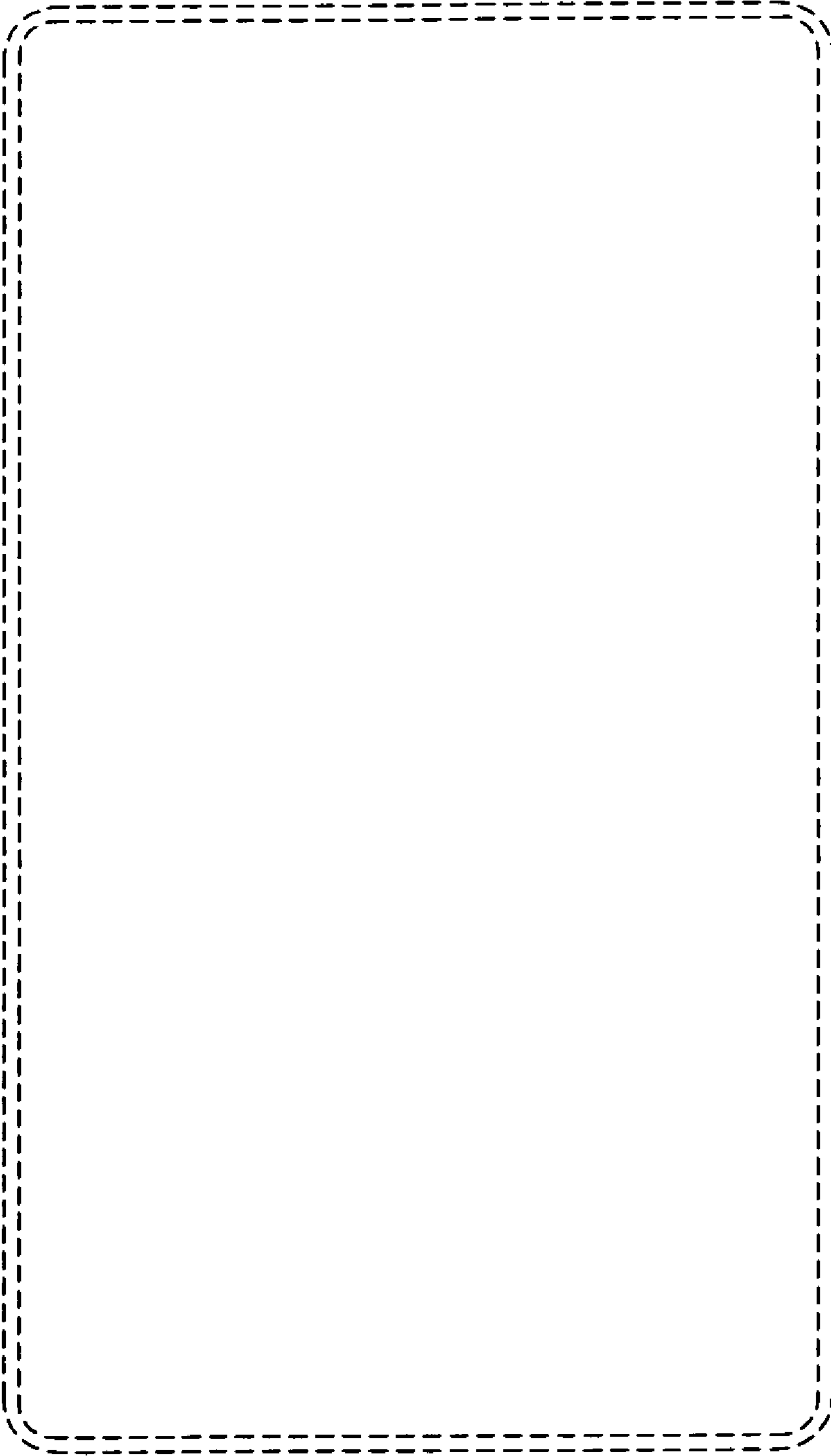


FIG. 6